



US00D985673S

(12) **United States Design Patent**  
**Eatman et al.**

(10) **Patent No.:** **US D985,673 S**

(45) **Date of Patent:** **\*\* May 9, 2023**

- (54) **GAMING MACHINE DISPLAY**
- (71) Applicant: **ARISTOCRAT TECHNOLOGIES AUSTRALIA PTY LIMITED**, North Ryde (AU)
- (72) Inventors: **Reginna Eatman**, Las Vegas, NV (US); **Rena M. Schoonmaker**, Las Vegas, NV (US)
- (73) Assignee: **Aristocrat Technologies Australia Pty Limited**, North Ryde (AU)
- (\*\*) Term: **15 Years**
- (21) Appl. No.: **29/670,202**
- (22) Filed: **Nov. 14, 2018**
- (51) **LOC (14) Cl.** ..... **20-03**
- (52) **U.S. Cl.**  
USPC ..... **D20/10**
- (58) **Field of Classification Search**  
USPC ..... D20/10, 18-21, 39, 41-44; D21/385; D14/305, 307, 314-316, 335, 336, D14/339-340, 371, 432  
CPC ..... G09G 2380/02; G09G 2300/026  
See application file for complete search history.

- 9,659,434 B2 5/2017 Bainbridge et al.
- D843,482 S \* 3/2019 Holland ..... D21/396
- D859,335 S \* 9/2019 D'Ambrosio ..... D14/125
- D866,667 S \* 11/2019 Stair ..... D21/369
- 10,565,831 B2 \* 2/2020 Bolling, Jr. .... G07F 17/34
- D880,605 S \* 4/2020 Bussey ..... D21/369
- D882,699 S \* 4/2020 Bernard ..... D21/385

(Continued)

**OTHER PUBLICATIONS**

“Circular led screen, LED Display working and testing” Apr. 25, 2016, site visited Dec. 14, 2021: <https://youtu.be/S-EDS7TCzmA> (Year: 2016).\*

(Continued)

*Primary Examiner* — Michael C Stout  
*Assistant Examiner* — Melvin L Davis  
(74) *Attorney, Agent, or Firm* — Armstrong Teasdale LLP

(57) **CLAIM**

We claim the ornamental design for a gaming machine display, as shown and described.

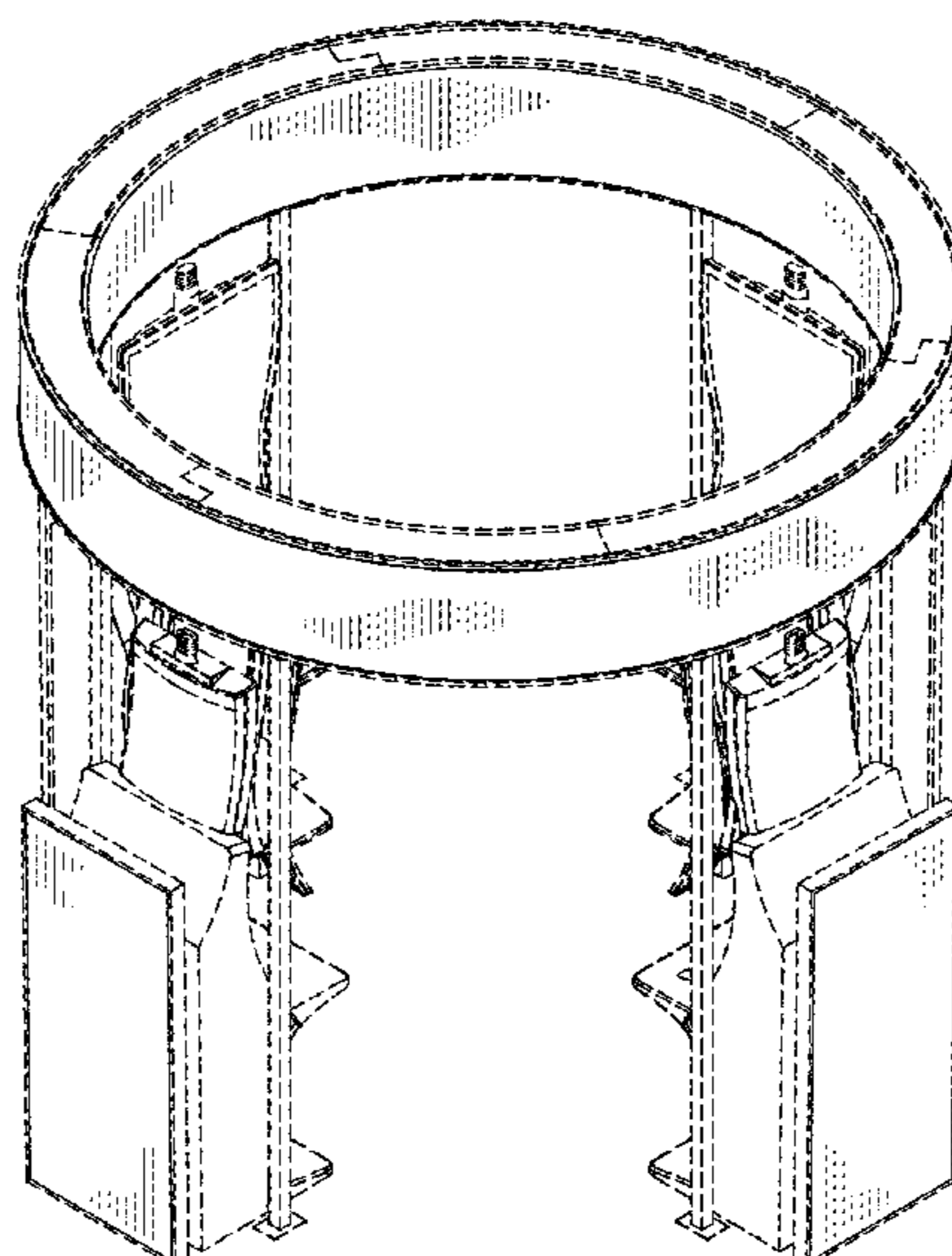
**DESCRIPTION**

FIG. 1 is a front perspective view of a gaming machine display showing our new design;  
FIG. 2 is a front view of the gaming machine display shown in FIG. 1;  
FIG. 3 is a back view of the gaming machine display shown in FIG. 1;  
FIG. 4 is a left side view of the gaming machine display shown in FIG. 1;  
FIG. 5 is a right side view of the gaming machine display shown in FIG. 1; and,  
FIG. 6 is a top view of the gaming machine display shown in FIG. 1.

The showing of broken lines are included for the purpose of illustrating environmental structure and forms no part of the claimed design.

**1 Claim, 6 Drawing Sheets**

- (56) **References Cited**  
U.S. PATENT DOCUMENTS
- 2,830,395 A \* 4/1958 Hutchens ..... G09F 11/02  
40/502
- 3,340,633 A \* 9/1967 Silberman ..... G09F 11/02  
40/473
- 6,578,301 B1 6/2003 Ericson
- D582,985 S \* 12/2008 Tanaka ..... D20/10
- 8,256,151 B2 \* 9/2012 Stafford ..... G09F 7/18  
40/617
- D681,263 S \* 4/2013 Van Eekeren ..... D26/122
- D714,875 S \* 10/2014 Wudtke ..... D21/385
- 8,894,487 B2 11/2014 Granger et al.
- D769,985 S \* 10/2016 Roberts ..... D21/453



(56)

References Cited

U.S. PATENT DOCUMENTS

10,629,032 B2 \* 4/2020 Hawkins ..... G07F 17/3265  
 D883,393 S \* 5/2020 Bernard ..... D21/385  
 D891,520 S \* 7/2020 Urban ..... D21/385  
 D906,155 S \* 12/2020 Freiberg ..... D11/26  
 D908,653 S \* 1/2021 Eatman ..... D14/127  
 D910,762 S \* 2/2021 DeMarco ..... D21/369  
 D914,807 S \* 3/2021 Olive ..... D21/369  
 D916,969 S \* 4/2021 Fleming, Jr. .... D20/10  
 D934,346 S \* 10/2021 Olive ..... D21/369  
 2005/0174302 A1 \* 8/2005 Ishii ..... G09F 9/30  
 345/30  
 2007/0033847 A1 \* 2/2007 Tanaka ..... G06F 1/163  
 40/661.05  
 2008/0067312 A1 3/2008 Allen  
 2012/0206925 A1 \* 8/2012 Shenk ..... F21V 1/06  
 362/352  
 2013/0116809 A1 5/2013 Carpenter  
 2014/0326022 A1 \* 11/2014 Tosyali ..... A44C 9/02  
 63/15.1  
 2014/0342825 A1 11/2014 Schrementi

2017/0345250 A1 11/2017 Pececnik  
 2017/0358176 A1 12/2017 Carpenter et al.  
 2019/0056762 A1 2/2019 Azam

OTHER PUBLICATIONS

“Adnoc led screen Round Circular LED Display Screen—Circular Ticker LED Screen” Oct. 2, 2018, site visited Dec. 14, 2021: <https://youtu.be/4Wzz9XVqYJQ> (Year: 2018).  
 “Bigabox Circular LED video screens” Oct. 26, 2017, site visited Dec. 14, 2021: <https://youtu.be/OO2WK08xEo0> (Year: 2017).  
 Notice of Allowance dated Oct. 28, 2020 for U.S. Appl. No. 16/385,976 (pp. 1-5).  
 Office Action dated Jun. 5, 2020 for U.S. Appl. No. 16/385,976 (pp. 1-11).  
 Paltronics Australia—<https://www.paltronics.com.au/jackpot-link/led-displays/>, Mar. 28, 2018, 1 page.  
 Shenzhen DGX Technology Co., Ltd.—<https://www.youtube.com/watch?v=S-EDS7TCzmA> and [www.szgdx.com](http://www.szgdx.com), dated Apr. 25, 2016, 1 page.  
 Gamecraft—<http://www.game-craft.com.au/gen-1-signage-hardware/> printed on Apr. 4, 2022, 4 pages.

\* cited by examiner

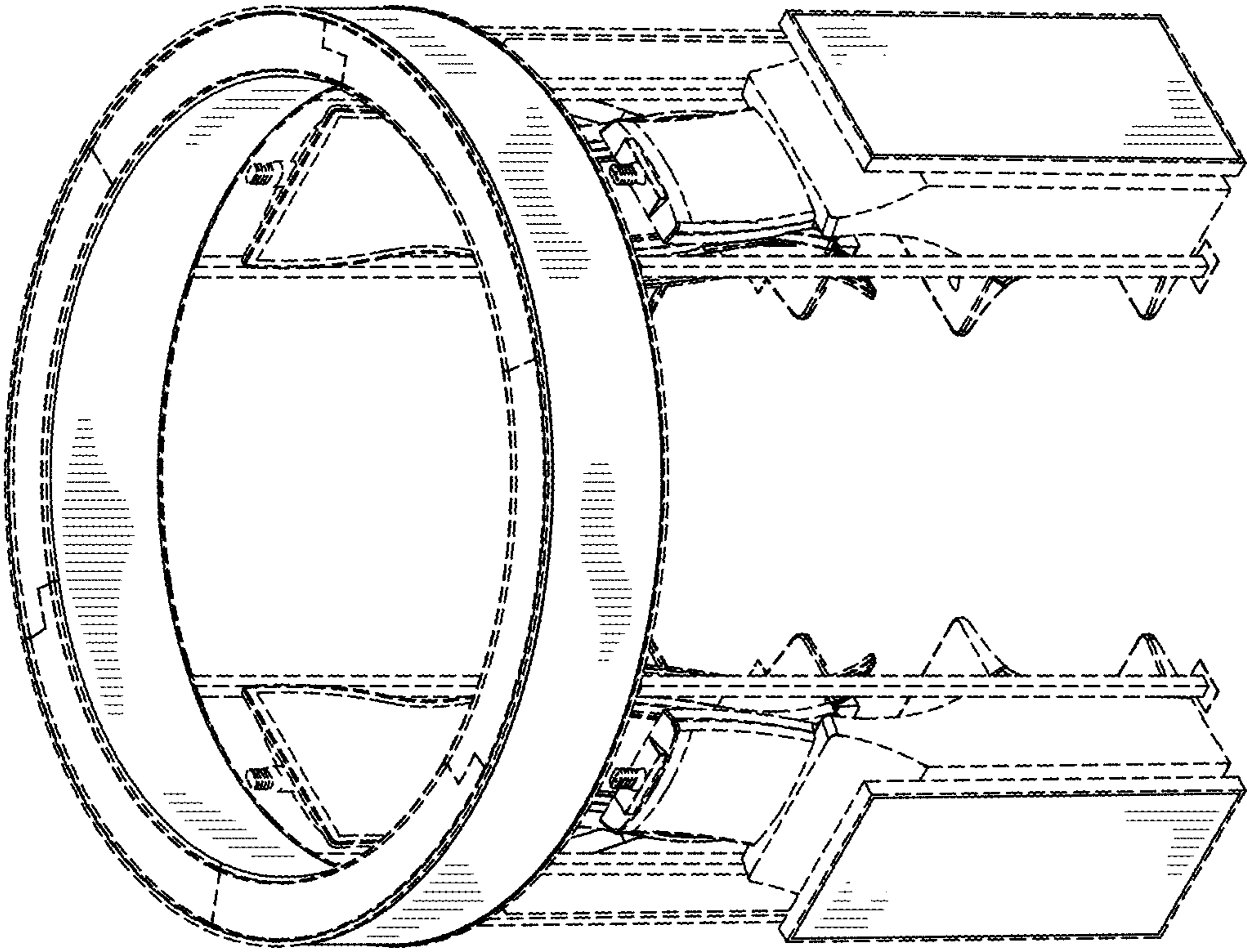


FIG. 1

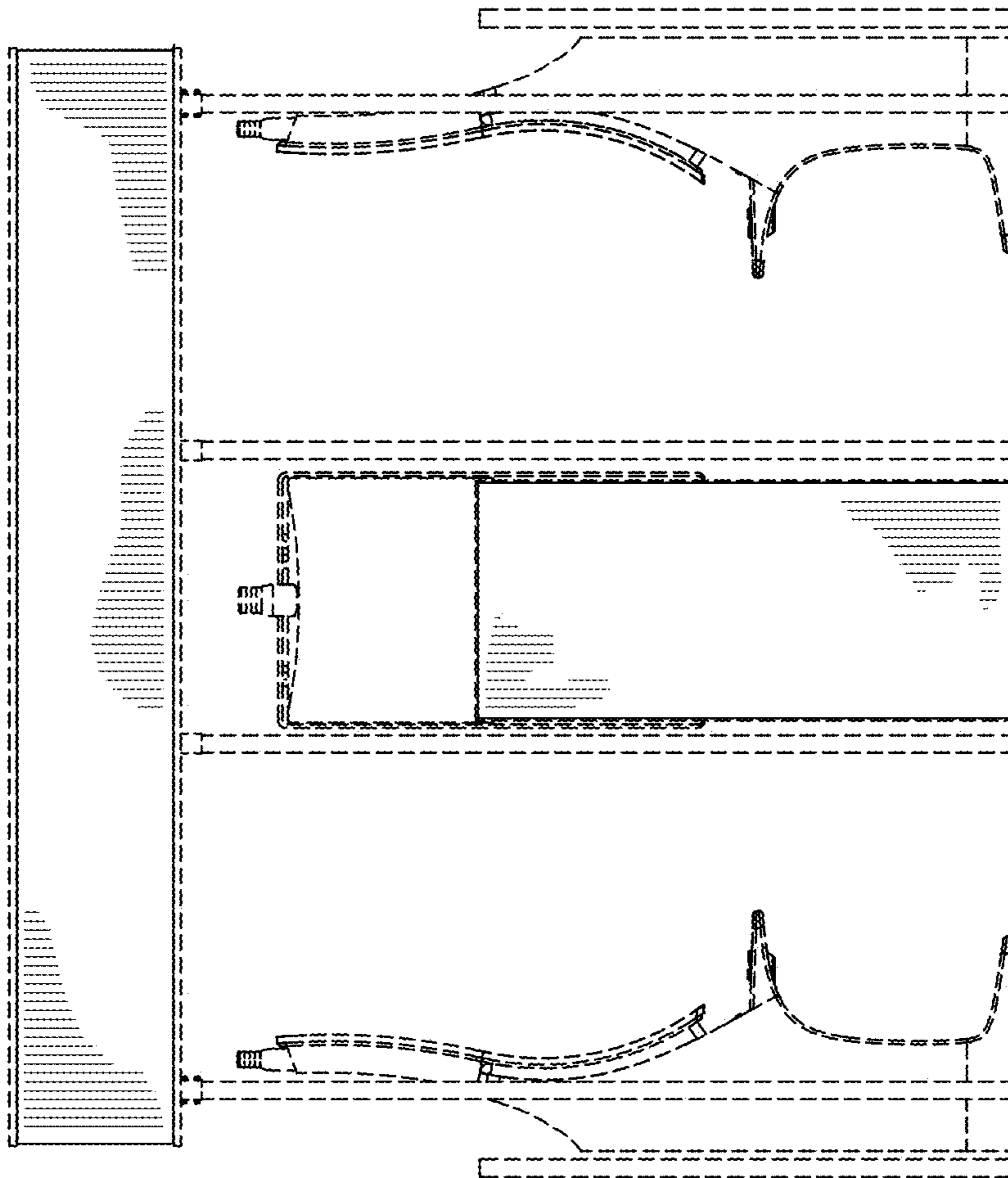


FIG. 2

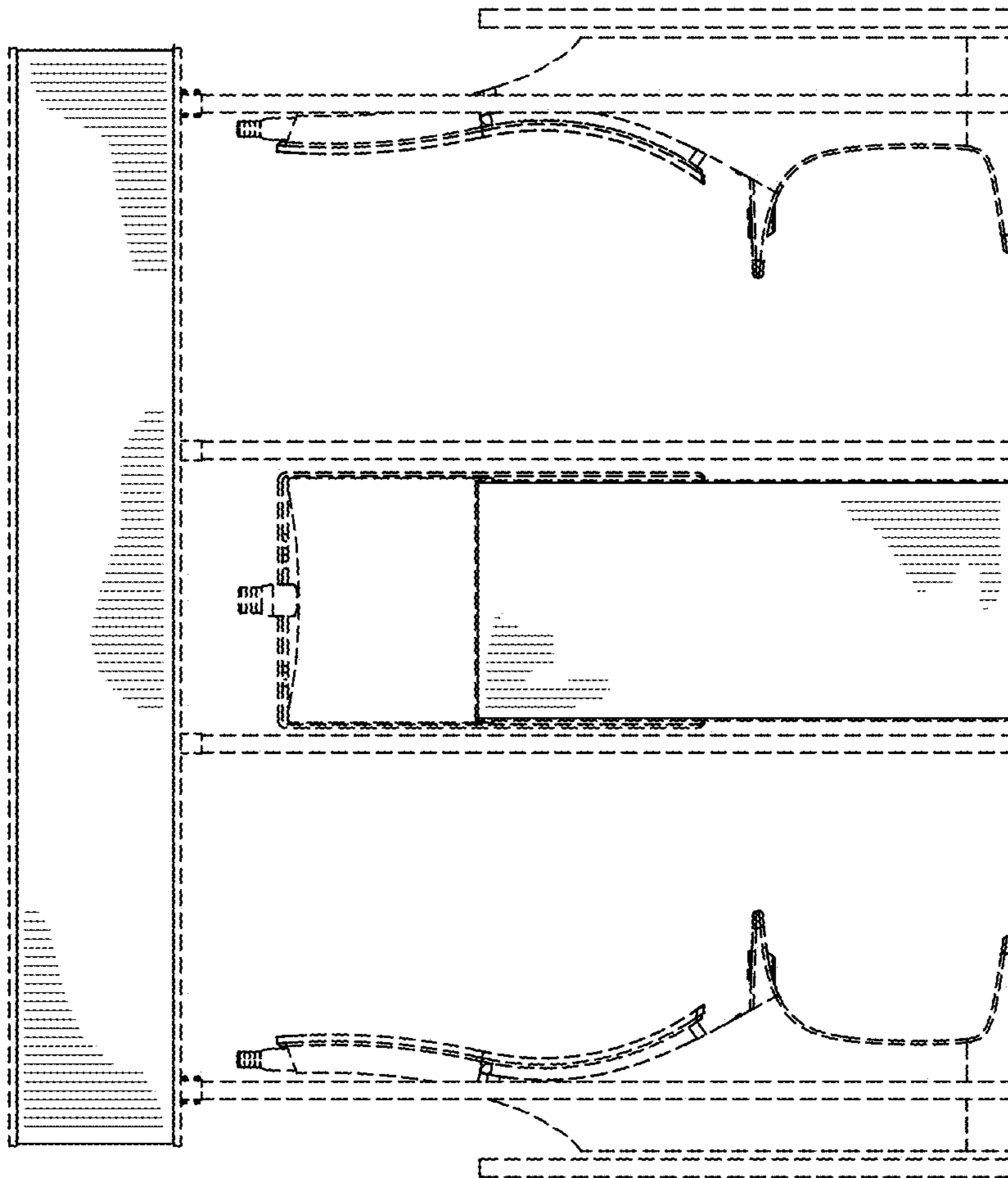


FIG. 3

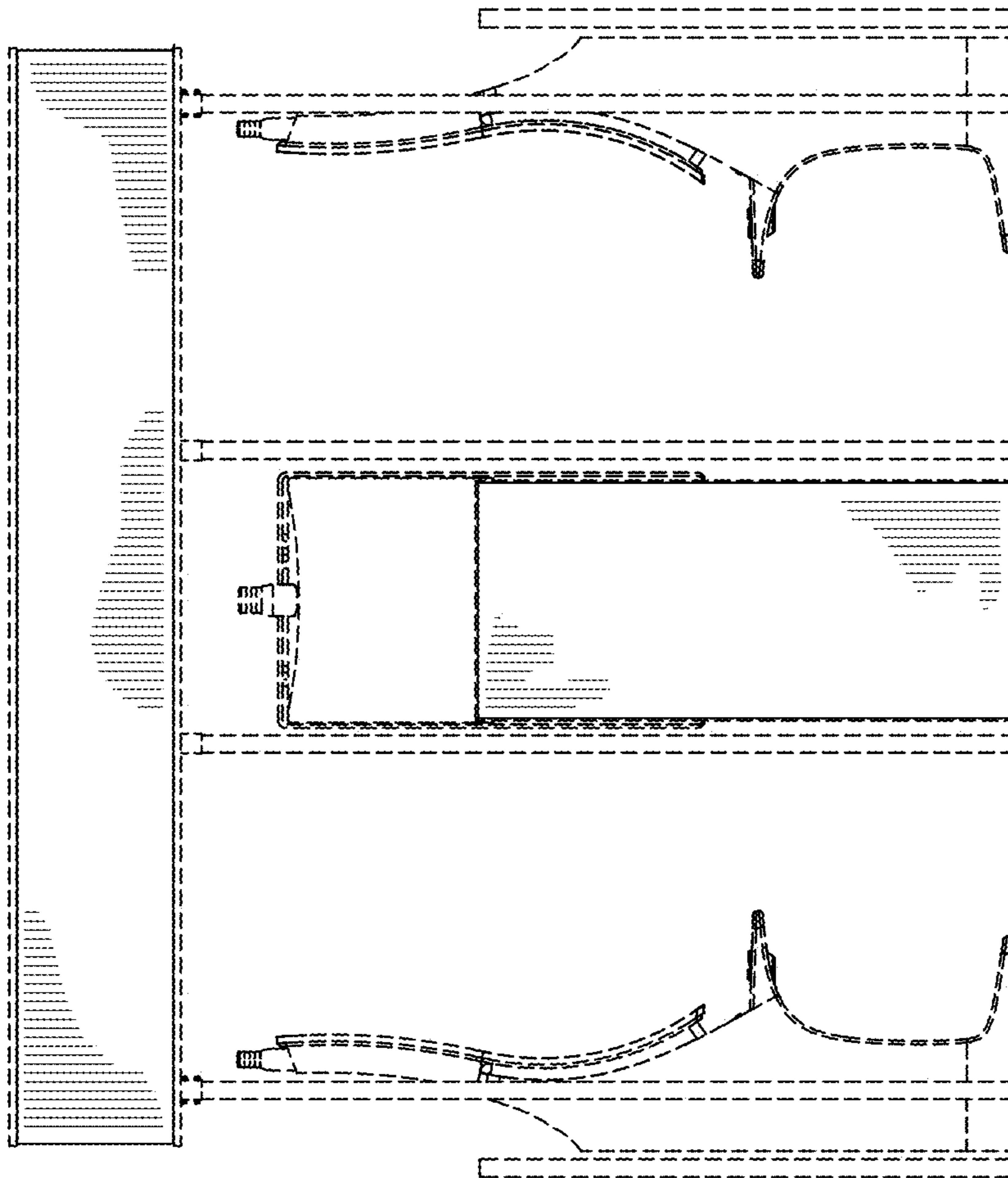


FIG. 4

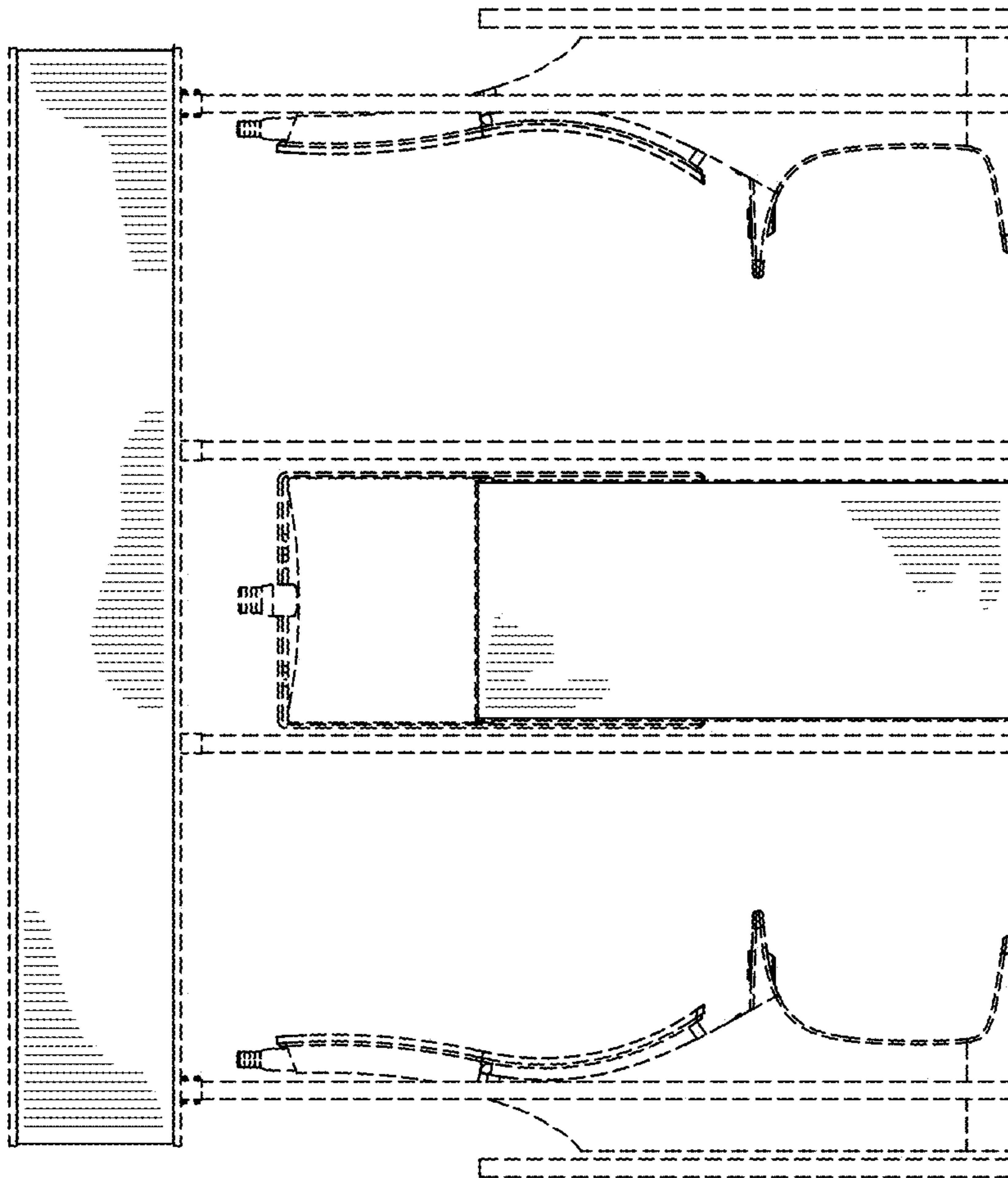


FIG. 5

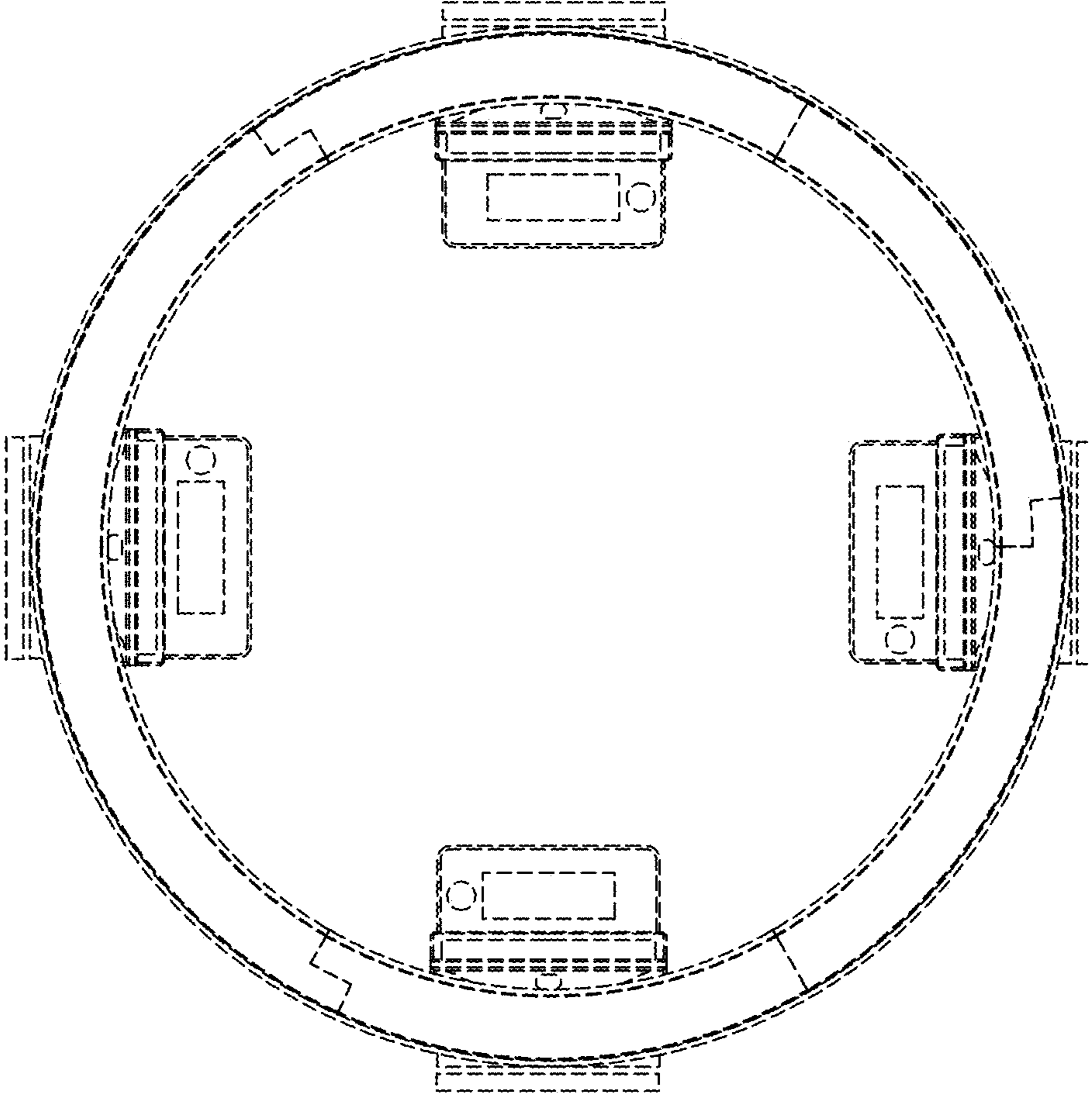


FIG. 6