



US00D985669S

(12) **United States Design Patent** (10) **Patent No.:** **US D985,669 S**
Boardman (45) **Date of Patent:** **** May 9, 2023**

(54) **PAINT PALETTE CRAFT MAT**

D684,438 S * 6/2013 Joseph D7/698
D720,501 S * 12/2014 Pourmehr D7/553.4
D767,941 S * 10/2016 Laurain D7/505

(71) Applicant: **BOARDCO & COMPANY LLC.**,
Centreville, VA (US)

(Continued)

(72) Inventor: **Nicole C. Boardman**, Centreville, VA
(US)

FOREIGN PATENT DOCUMENTS

CN 2635399 Y 8/2004
CN 303283605 7/2015
CN 204936672 U 1/2016

(Continued)

(73) Assignee: **Boardco & Company LLC**,
Centreville, VA (US)

(**) Term: **15 Years**

OTHER PUBLICATIONS

(21) Appl. No.: **29/816,763**

Cheek's Paper Room Creator Silicone Craft Mat for Painting and Crafts [online], [site visited Dec. 13, 2022]. Available from internet, URL: <<https://www.amazon.com/Silicone-Painting-Collapsible-15inches-17inches/dp/B09L4MKG2V/?th=1>> (Year: 2021).*

(22) Filed: **Nov. 24, 2021**

(Continued)

(51) **LOC (14) Cl.** **19-06**

(52) **U.S. Cl.**
USPC **D19/103**

(58) **Field of Classification Search**
USPC D19/101-108, 111; D6/613, 616;
D7/505, 550.1, 553.1, 553.2, 553.4,
D7/553.5, 553.8, 554.3, 555
CPC . B44D 3/003; B44D 3/02; B44D 3/04; B44D
3/122; G09B 11/00; G09B 11/10
See application file for complete search history.

Primary Examiner — Cynthia Ramirez
Assistant Examiner — Xavier Marti-Santos
(74) *Attorney, Agent, or Firm* — Sterne, Kessler,
Goldstein & Fox P.L.L.C.

(57) **CLAIM**

The ornamental design for paint palette craft mat, as shown and described.

(56) **References Cited**

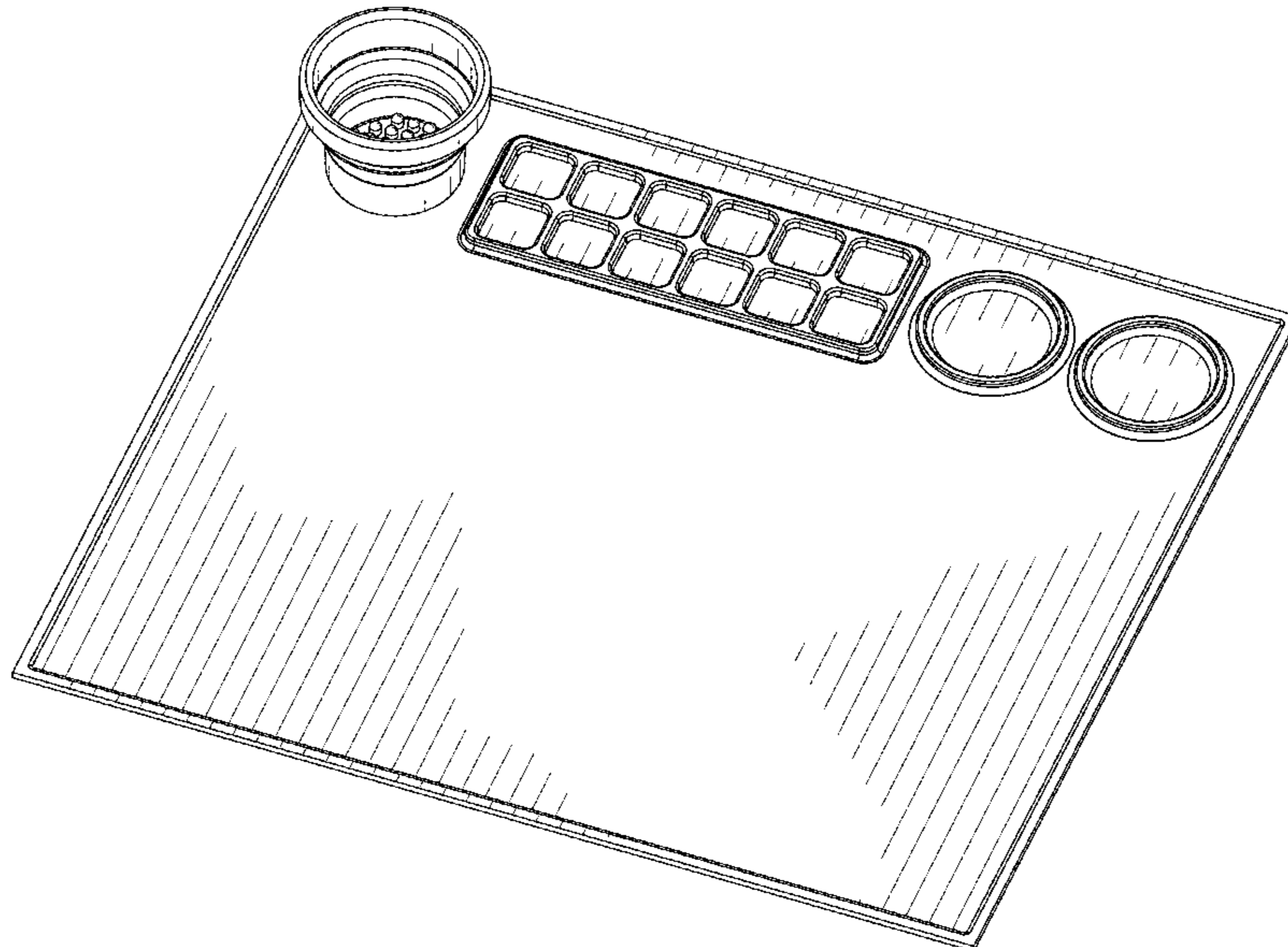
DESCRIPTION

U.S. PATENT DOCUMENTS

D165,128 S * 11/1951 Blacher D19/103
3,498,470 A * 3/1970 Thomas A47G 23/06
211/74
D254,555 S * 3/1980 Kean D19/103
D264,096 S 4/1982 Jones
D318,481 S * 7/1991 Milne D7/505
D332,442 S * 1/1993 Simpson, Sr. D6/682.2
D358,841 S * 5/1995 Ascone D19/103
D362,018 S * 9/1995 Damm D19/103
D443,299 S 6/2001 Harrison
D483,225 S * 12/2003 Gain D7/532
D671,166 S 11/2012 Papenfubeta

FIG. 1 is a front perspective view of a paint palette craft mat in accordance with the new design;
FIG. 2 is a front view thereof;
FIG. 3 is a rear view thereof;
FIG. 4 is a right side view thereof;
FIG. 5 is a left side view thereof;
FIG. 6 is a top view thereof; and,
FIG. 7 is a bottom view thereof.
The broken lines in the figures show portions of the paint palette craft mat that form no part of the claimed design.

1 Claim, 5 Drawing Sheets



(56)

References Cited

U.S. PATENT DOCUMENTS

D884,393 S * 5/2020 Smitch D6/616
 D895,372 S * 9/2020 Loudenslager D19/104

FOREIGN PATENT DOCUMENTS

CN	205468254	U	8/2016
CN	304031718		2/2017
CN	304927354		12/2018
CN	211764635	U	10/2020
CN	306182929		11/2020
CN	306221452		12/2020
CN	212604246	U	2/2021
DE	10050251	A1	4/2002
EP	3293017	A1	3/2018
JP	D1321830		7/2015
JP	D1720676	*	7/2022
KR	300459773		8/2007
KR	300713935		10/2013
KR	300727210		1/2014
KR	300806929		7/2015

OTHER PUBLICATIONS

Silicone Mats for Crafts [online], [site visited Dec. 13, 2022]. Available from internet, URL: <<https://www.amazon.com/dp/B0BHTDGXBD/>> (Year: 2022).*

Silicone Craft Mat, Silicone Mat for Resin Casting, 20"×16" Non Stick Silicone Sheet, Creator Silicone Craft Mat with Cleaning Cup for Painting, Art, Clay and Play Doh (Blue), Truegether.com, available as early as Nov. 24, 2021. URL: <https://www.truegether.com/listing.html?id=USER.952620f2-6296-43d9-831c-4f67b7eda59c>.

Sugarhouse Ceramic Co. Instagram Profile, Instagram, post dated Apr. 4, 2019. URL: <https://www.instagram.com/p/Bv2PXgUgvk8/?igshid=YmMyMTA2M2Y=>.

Busy Baby Silicone Placemat—Built-in Suction Cups—4 Toy Tethers for Babies Toddlers and Kids—Food Grade Silicone—8.5×11 in—Comes with Travel Sleeve—Dishwasher Safe—Spearmint, Amazon.com, available as early as Apr. 5, 2021. URL: <https://amzn.to/3Ck1sWf>.

Kaisi S-130 Insulation Silicone Soldering Mat Repair Mat, Heat Resistant Silicone Work Mat 932° F. with Scale Ruler and Screw Position for Soldering, CellPhone Electronics Repair, Size: 13.8×9.8 inch, Amazon.com, available as early as Jul. 6, 2017. URL: <https://amzn.to/3fRebYU>.

Meeden Ceramic Artist Paint Palette, Porcelain Mixing Tray for Watercolor Gouache Painting 9 by 6½-Inch Rectangle Shaped, Amazon.com, available as early as Oct. 21, 2020. URL: <https://www.amazon.com/MEEDEN-Rectangle-Porcelain-Watercolor-Painting/dp/B089D66LFL>.

* cited by examiner

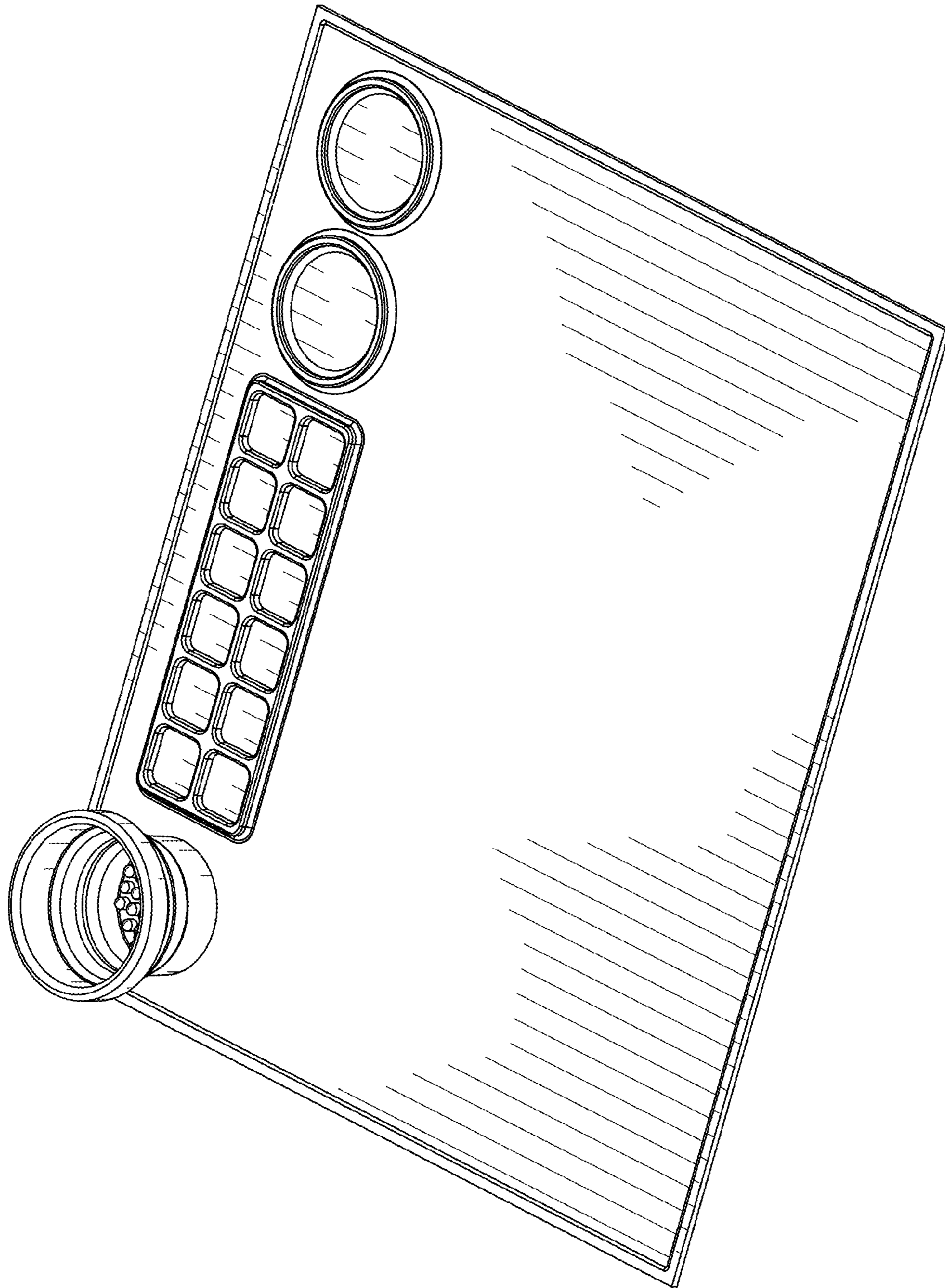


FIG.1

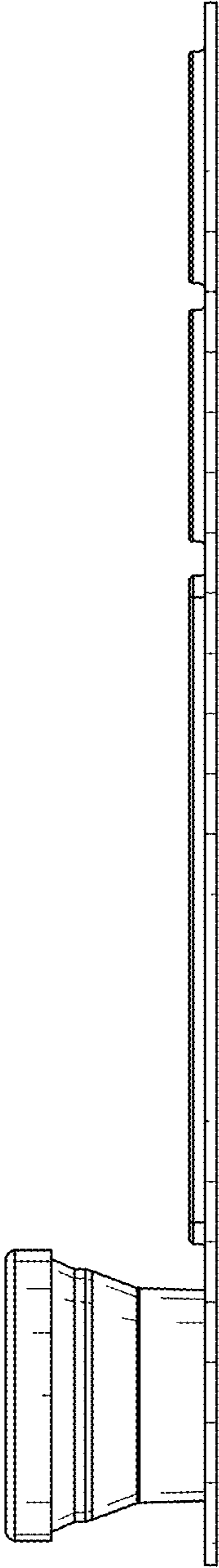


FIG. 2

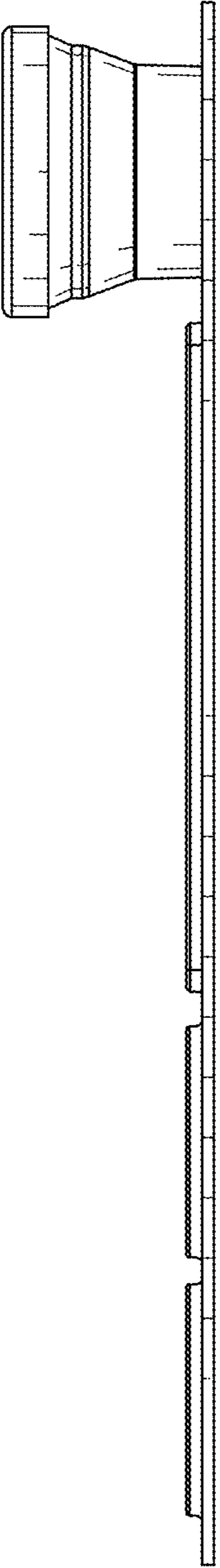


FIG. 3

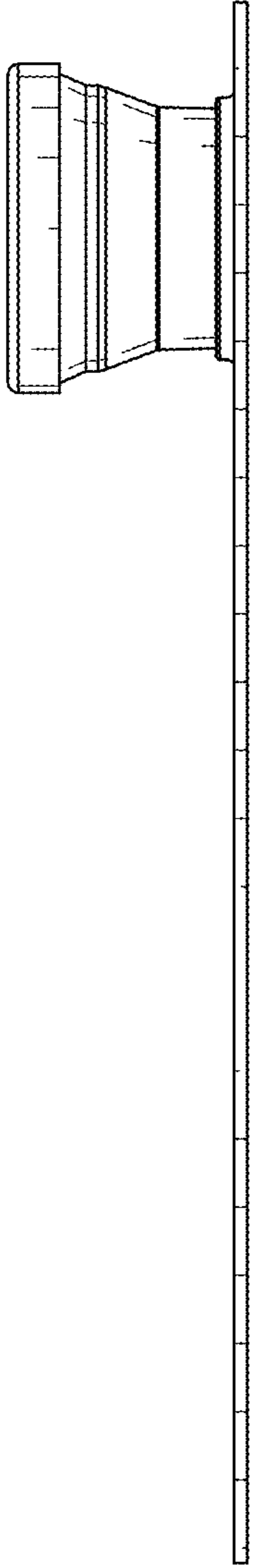


FIG. 4

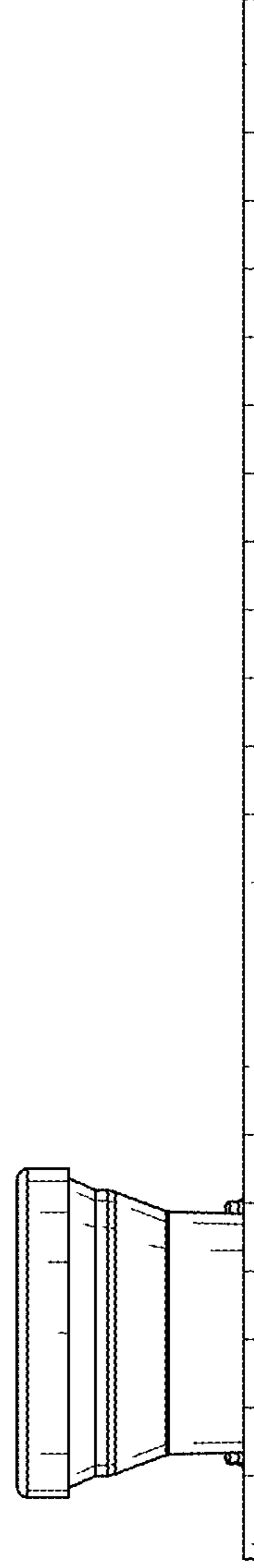


FIG. 5

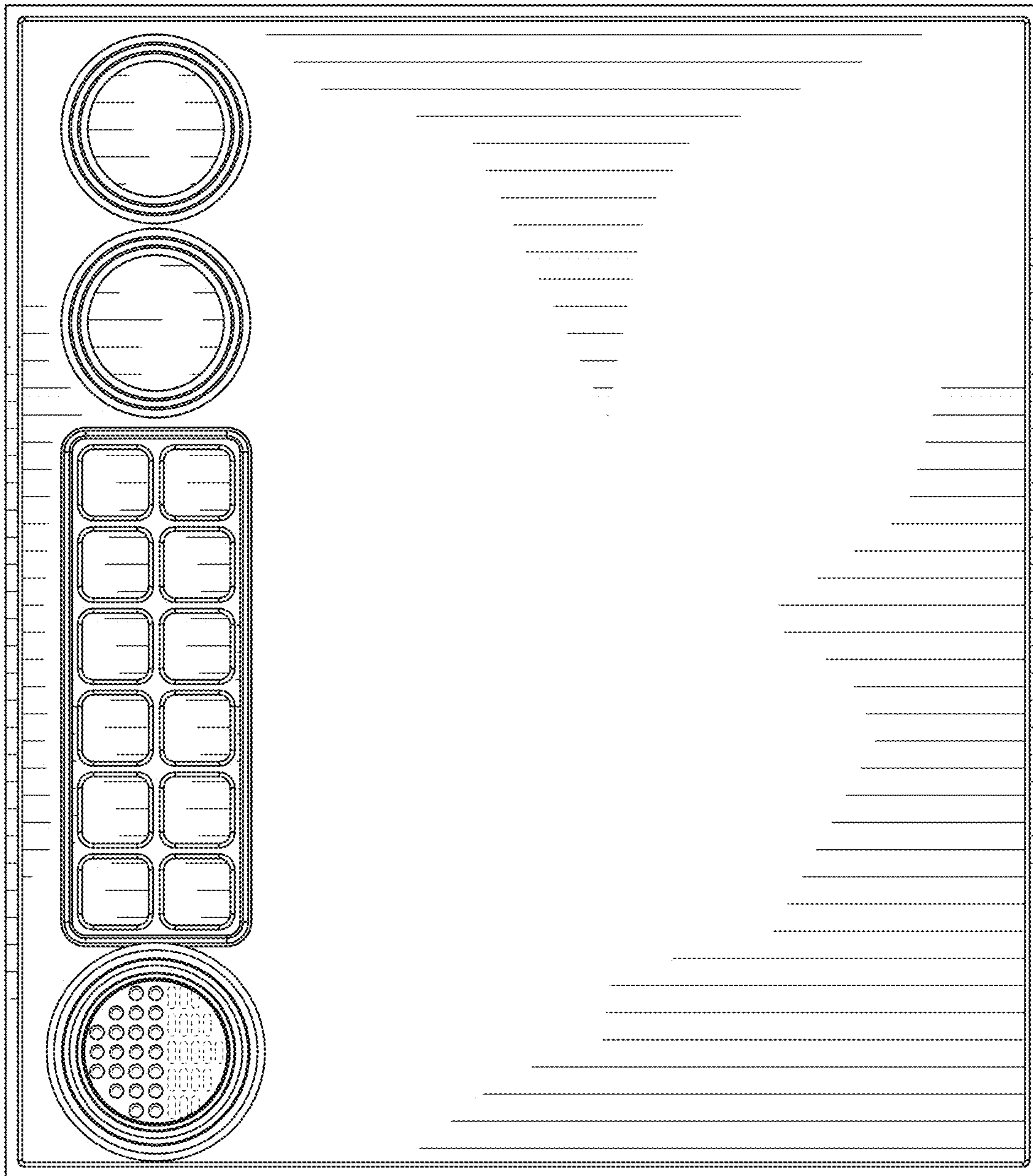


FIG. 6

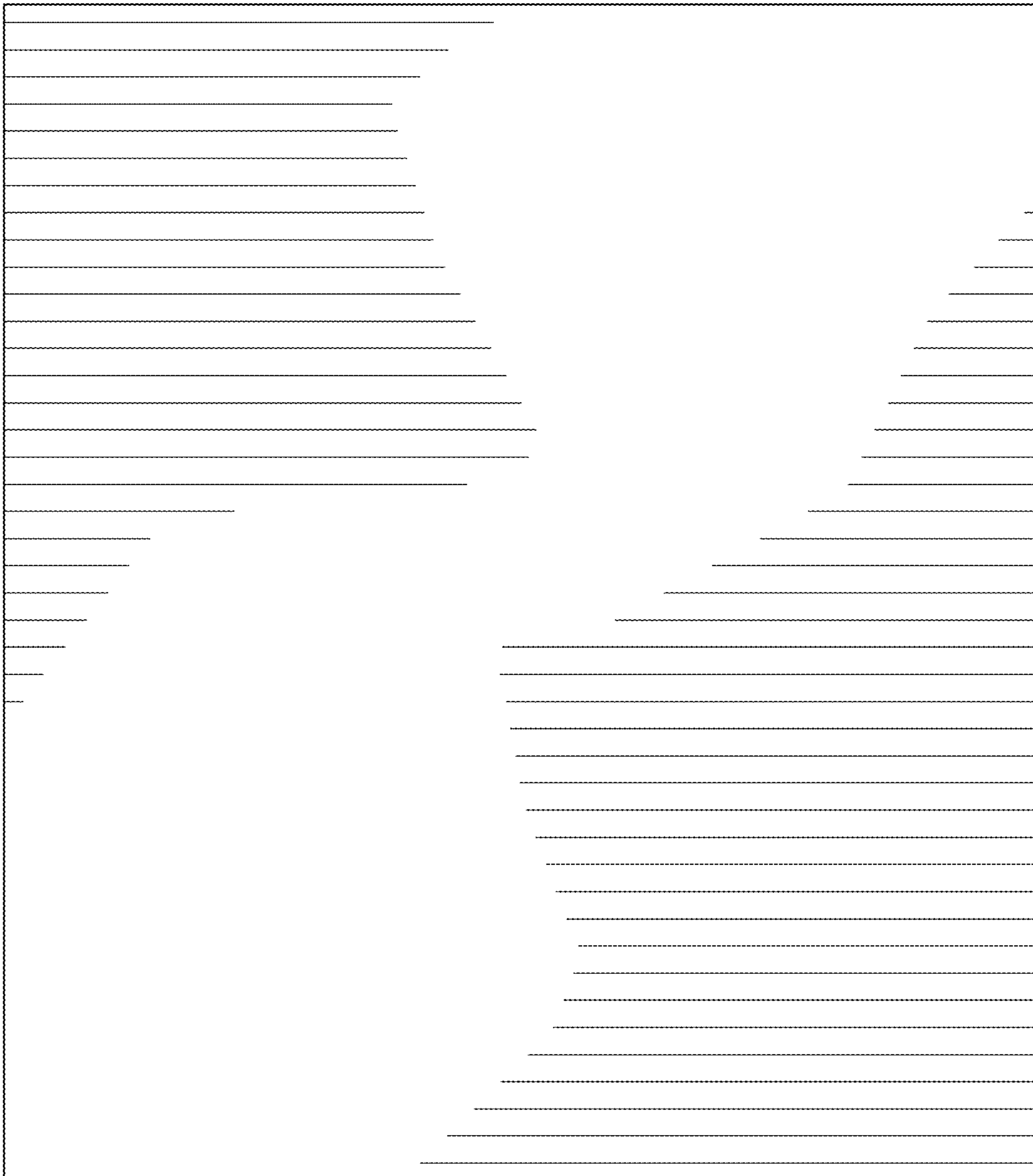


FIG. 7

UNITED STATES PATENT AND TRADEMARK OFFICE
CERTIFICATE OF CORRECTION

PATENT NO. : D985,669 S
APPLICATION NO. : 29/816763
DATED : May 9, 2023
INVENTOR(S) : Nicole C. Boardman

Page 1 of 1

It is certified that error appears in the above-identified patent and that said Letters Patent is hereby corrected as shown below:

On the Title Page

Item (57), update CLAIM,

In the claim section, replace:

“The ornamental design for paint palette craft mat as shown and described.”

With:

--The ornamental design for a paint palette craft mat as shown and described.--

Signed and Sealed this
Twentieth Day of June, 2023
Katherine Kelly Vidal

Katherine Kelly Vidal
Director of the United States Patent and Trademark Office