



US00D985668S

(12) **United States Design Patent** (10) **Patent No.:** **US D985,668 S**  
**He** (45) **Date of Patent:** **\*\* May 9, 2023**

(54) **ERASABLE DOODLE BOOK**

D285,809 S \* 9/1986 Sindler ..... D19/27  
D319,345 S \* 8/1991 Rayburn ..... D3/251  
D319,729 S \* 9/1991 Kogutt ..... D3/299

(71) Applicant: **Jun He**, Shenzhen (CN)

(Continued)

(72) Inventor: **Jun He**, Shenzhen (CN)

(\*\*) Term: **15 Years**

FOREIGN PATENT DOCUMENTS

(21) Appl. No.: **29/836,402**

CN 306929312 \* 11/2021  
EM 008868525-0001 \* 2/2022

(22) Filed: **Apr. 26, 2022**

(Continued)

(51) **LOC (14) Cl.** ..... **19-04**

OTHER PUBLICATIONS

(52) **U.S. Cl.**

USPC ..... **D19/27**

(58) **Field of Classification Search**

USPC ..... D19/26, 27, 28, 30, 32, 33, 113, 86, 91,  
D19/100, 2, 3; D3/271.5, 294, 299, 300,  
D3/302, 303; D6/673, 675; D9/634, 433  
CPC ..... G09F 5/00; G09F 5/02; G09F 5/04; G09F  
2005/041; G09F 5/042; B42F 7/02; B42F  
7/025; B42F 7/04; B42F 7/06; B42F  
7/065; B42F 17/00; B42F 19/00; B42F  
21/00; B42F 21/02; B42F 23/00; B42F  
15/0011; B42F 15/0017; B42F 15/0023;  
B42F 15/007; B42F 15/0082; B42F  
15/0088; B42F 15/0094; B42F 13/02;  
B42F 13/04; B42F 13/06; B42F 13/08;  
B42F 13/10; B42F 13/14; B42F 13/65;  
B42D 1/04; B42D 3/08; B42D 3/10;  
B42D 3/12; B42D 3/123; B42D 7/00;  
B42D 17/005; B42D 15/0006; B42D  
15/00; B42D 15/008; B42D 15/042;  
B42D 15/04; B42D 1/08; B42C 7/00;  
B42C 7/01; B42C 7/02; B42C 7/03;  
B42C 7/04; B42C 7/05; B42C 7/06;  
B42C 7/07; B42C 7/08; B42C 7/09;  
G07F 17/16; G07F 11/045; B65H  
2701/1932; B65H 2701/5112

Amazon. Link: [https://www.amazon.com/Ccinnoe-Erasable-Kids-Toddlers-Watercolor-Preschool/dp/B09VX13GJ1/ref=sr\\_1\\_1?crd=B1R7ANAKNNT8&keywords=B09VX13GJ1&qid=1663596821&s=toys-and-games&sprefix=b09vx13gj1%2Ctoys-and-games%2C55&sr=1-1&th=1](https://www.amazon.com/Ccinnoe-Erasable-Kids-Toddlers-Watercolor-Preschool/dp/B09VX13GJ1/ref=sr_1_1?crd=B1R7ANAKNNT8&keywords=B09VX13GJ1&qid=1663596821&s=toys-and-games&sprefix=b09vx13gj1%2Ctoys-and-games%2C55&sr=1-1&th=1). Apr. 18, 2022. Ccinnoe Erasable Doodle Book for Kids. (Year: 2022).\*

(Continued)

*Primary Examiner* — Lauren D McVey

(57)

**CLAIM**

The ornamental design for an erasable doodle book, substantially as shown and described.

**DESCRIPTION**

FIG. 1 is a perspective view of an erasable doodle book, showing my new design;  
FIG. 2 is an alternative perspective view of the erasable doodle book in an open state;  
FIG. 3 is a front elevation view of FIG. 1;  
FIG. 4 is a rear elevation view thereof;  
FIG. 5 is a left-side elevation view thereof;  
FIG. 6 is a right-side elevation view thereof;  
FIG. 7 is a top plan view thereof; and,  
FIG. 8 is a bottom plan view thereof.  
The broken lines depict inner portions of the erasable doodle book in an open state, and form no part of the claimed design.

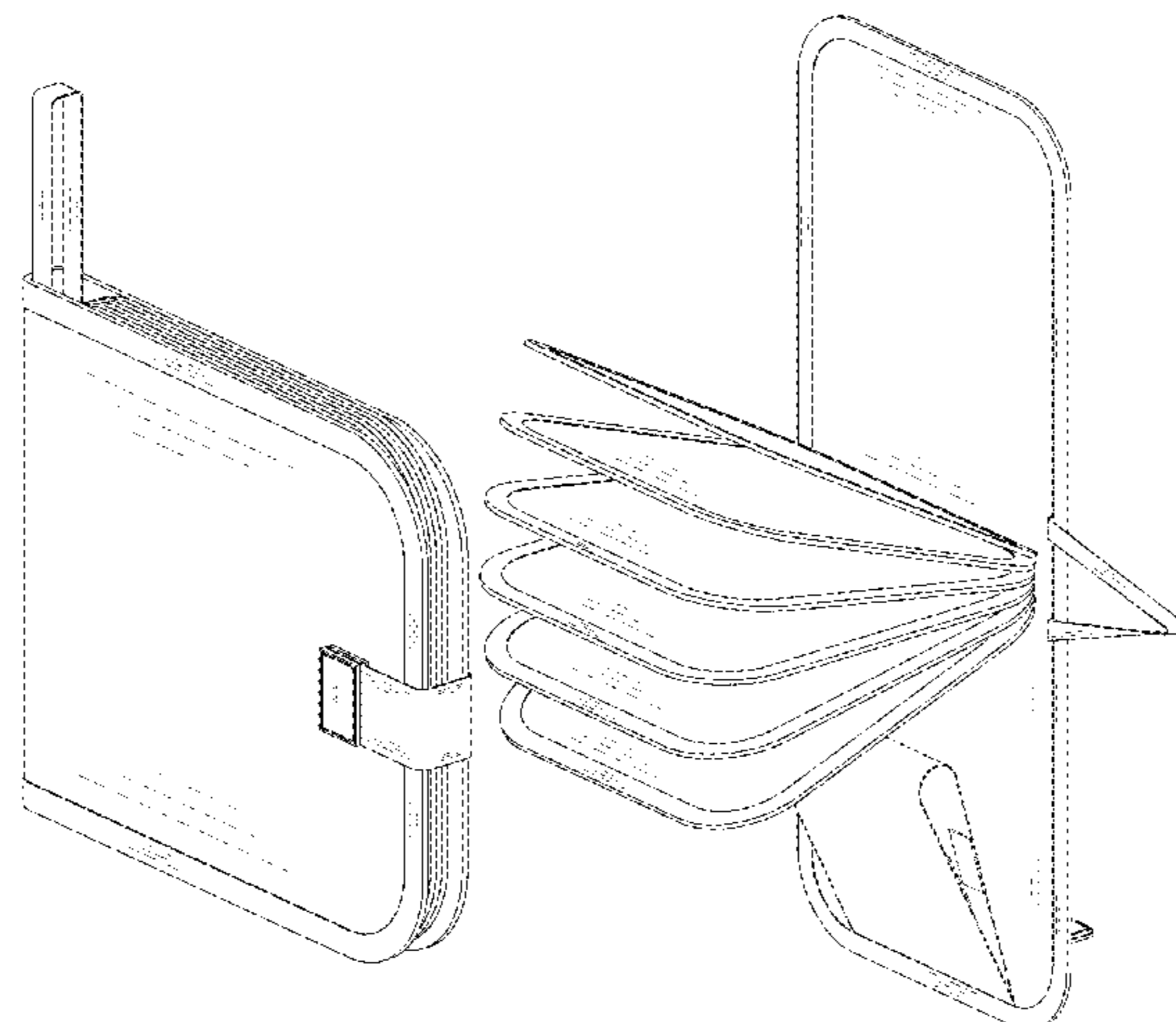
See application file for complete search history.

(56) **References Cited**

U.S. PATENT DOCUMENTS

D134,884 S \* 1/1943 Engelstein ..... D19/32  
D184,004 S \* 12/1958 Chase ..... D19/27

**1 Claim, 8 Drawing Sheets**



(56)

**References Cited**

U.S. PATENT DOCUMENTS

D325,393 S \* 4/1992 Schertz ..... 281/19.1  
D329,745 S \* 9/1992 O'Brien ..... D3/249  
5,219,437 A \* 6/1993 Moor ..... B42D 3/04  
281/29  
D354,767 S \* 1/1995 Ruskin ..... D19/26  
D383,779 S \* 9/1997 Yaukey ..... D19/27  
D391,988 S 3/1998 Gayda  
D417,889 S \* 12/1999 French ..... D19/86  
D703,954 S \* 5/2014 Zizka ..... D3/299  
D791,231 S \* 7/2017 Wilhelm ..... D19/26

FOREIGN PATENT DOCUMENTS

GB 5000862 \* 1/2016  
JP D1324781 \* 3/2008

OTHER PUBLICATIONS

Amazon. Link: [https://www.amazon.com/Erasing-Set-Miicasa-Activities-Reusable-Preschool/dp/B09N3TRBC8/ref=sr\\_1\\_1?keywords=B09N3TRBC8&qid=1663355223&s=office-products&sr=1-1](https://www.amazon.com/Erasing-Set-Miicasa-Activities-Reusable-Preschool/dp/B09N3TRBC8/ref=sr_1_1?keywords=B09N3TRBC8&qid=1663355223&s=office-products&sr=1-1). Nov. 26, 2021. Miicasa Kids Erasable Doodle Book Set. (Year: 2021).\*

Amazon. Link: [https://www.amazon.com/dp/B09ZHNWXHF/ref=syn\\_sd\\_onsite\\_desktop\\_570?ie=UTF8&pvc=1&pd\\_rd\\_plhdr=t](https://www.amazon.com/dp/B09ZHNWXHF/ref=syn_sd_onsite_desktop_570?ie=UTF8&pvc=1&pd_rd_plhdr=t). May 4, 2022. Erasable Book Doodle Set for Kids. (Year: 2022).\*

\* cited by examiner

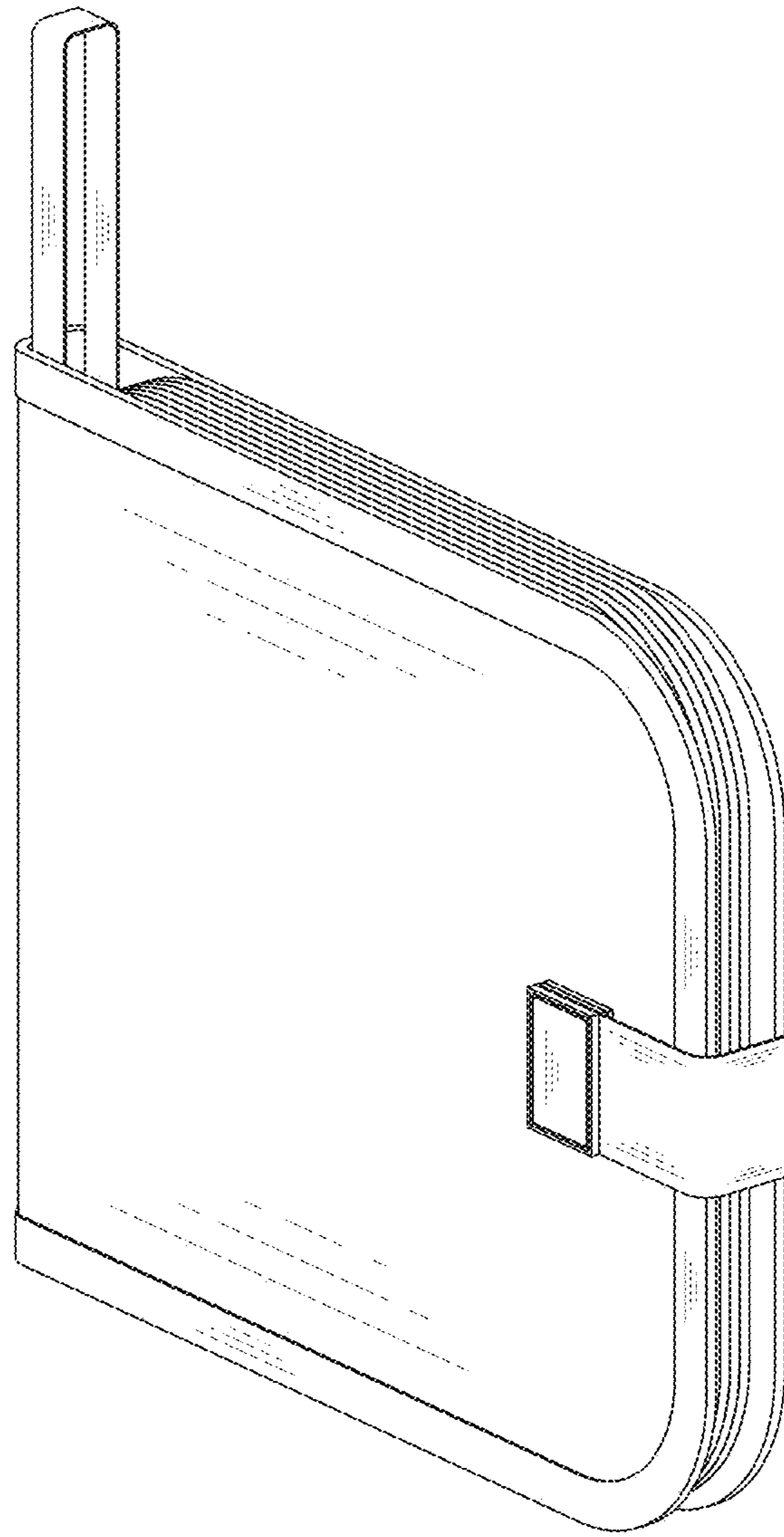


FIG. 1

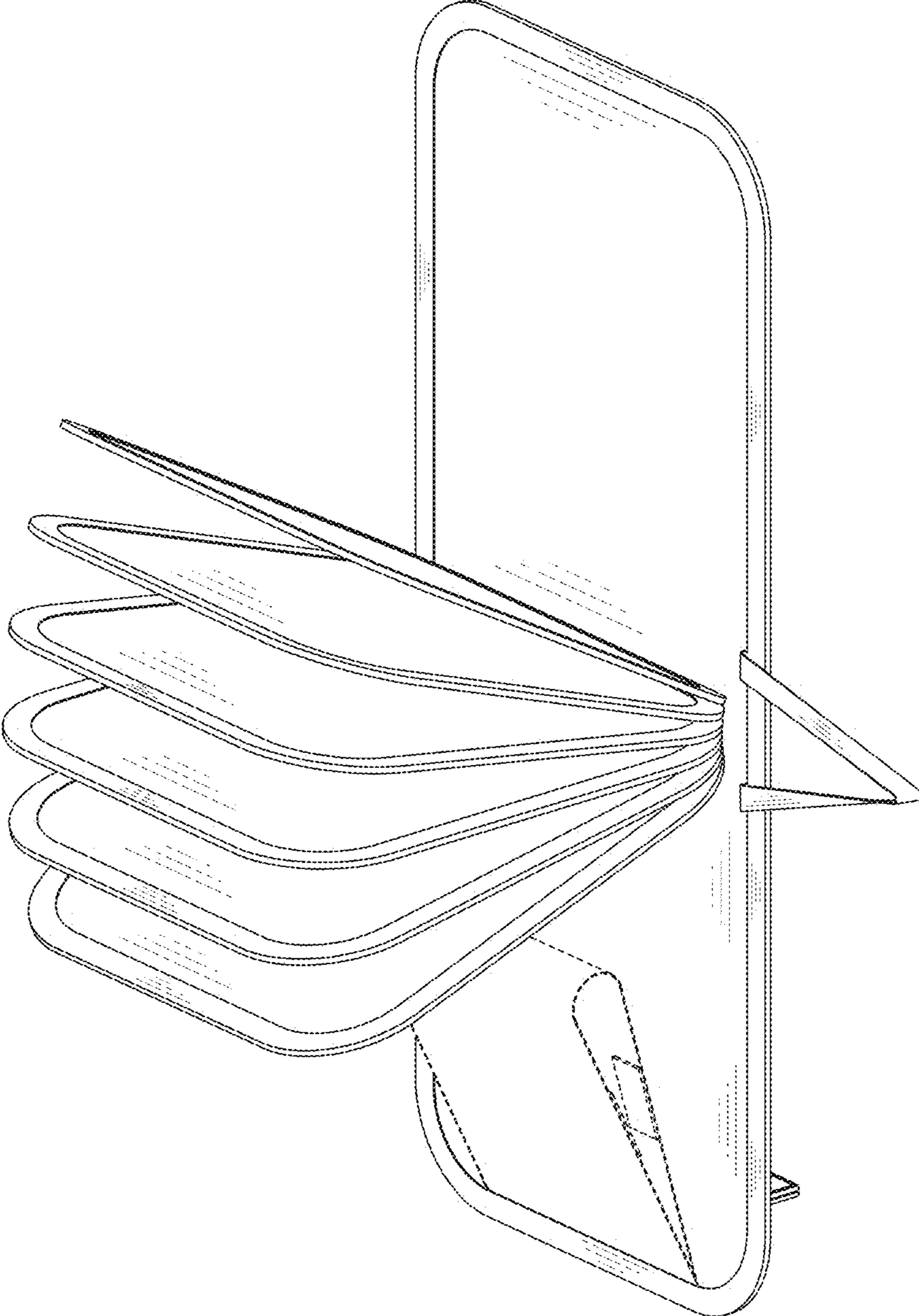


FIG. 2

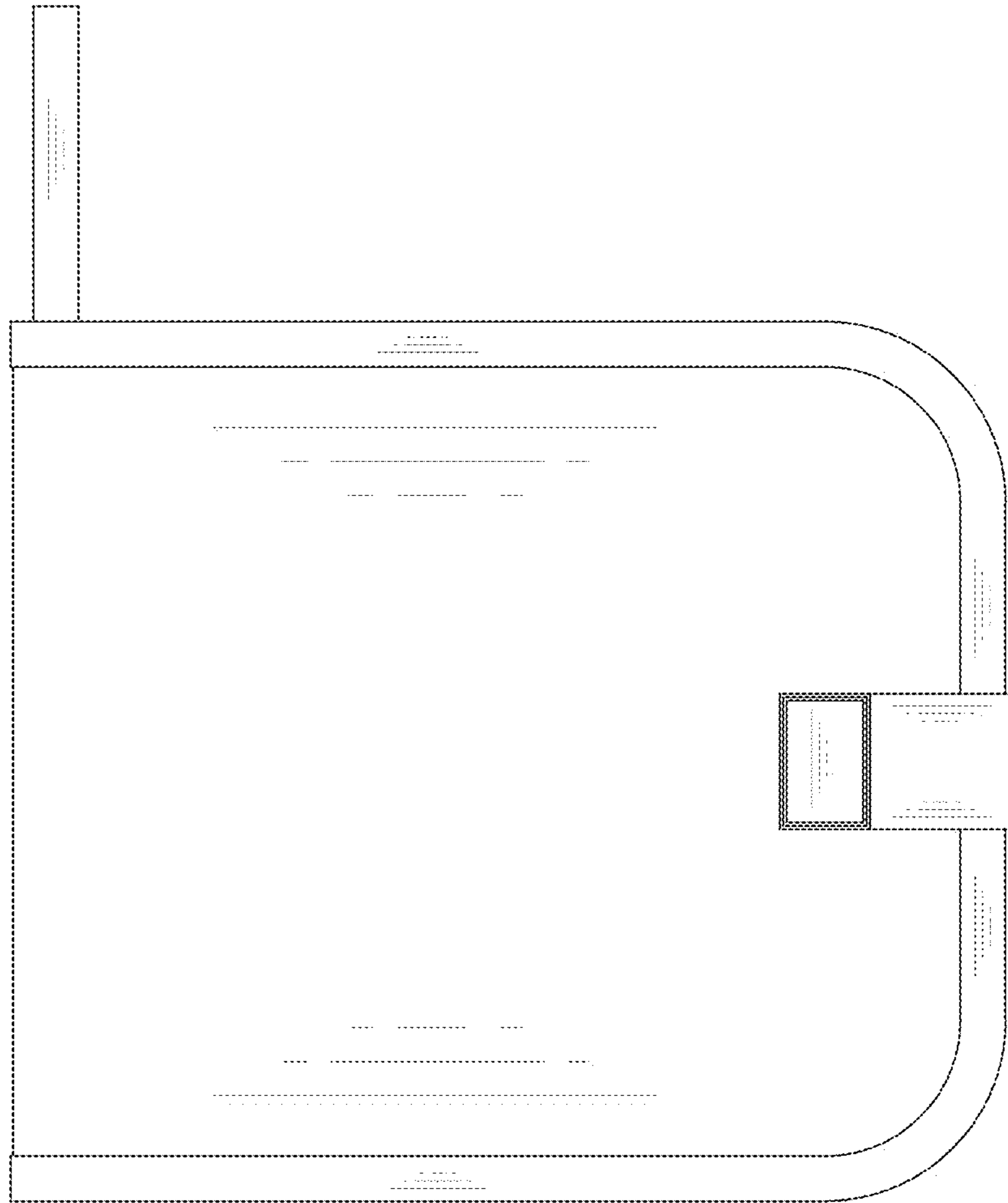


FIG. 3

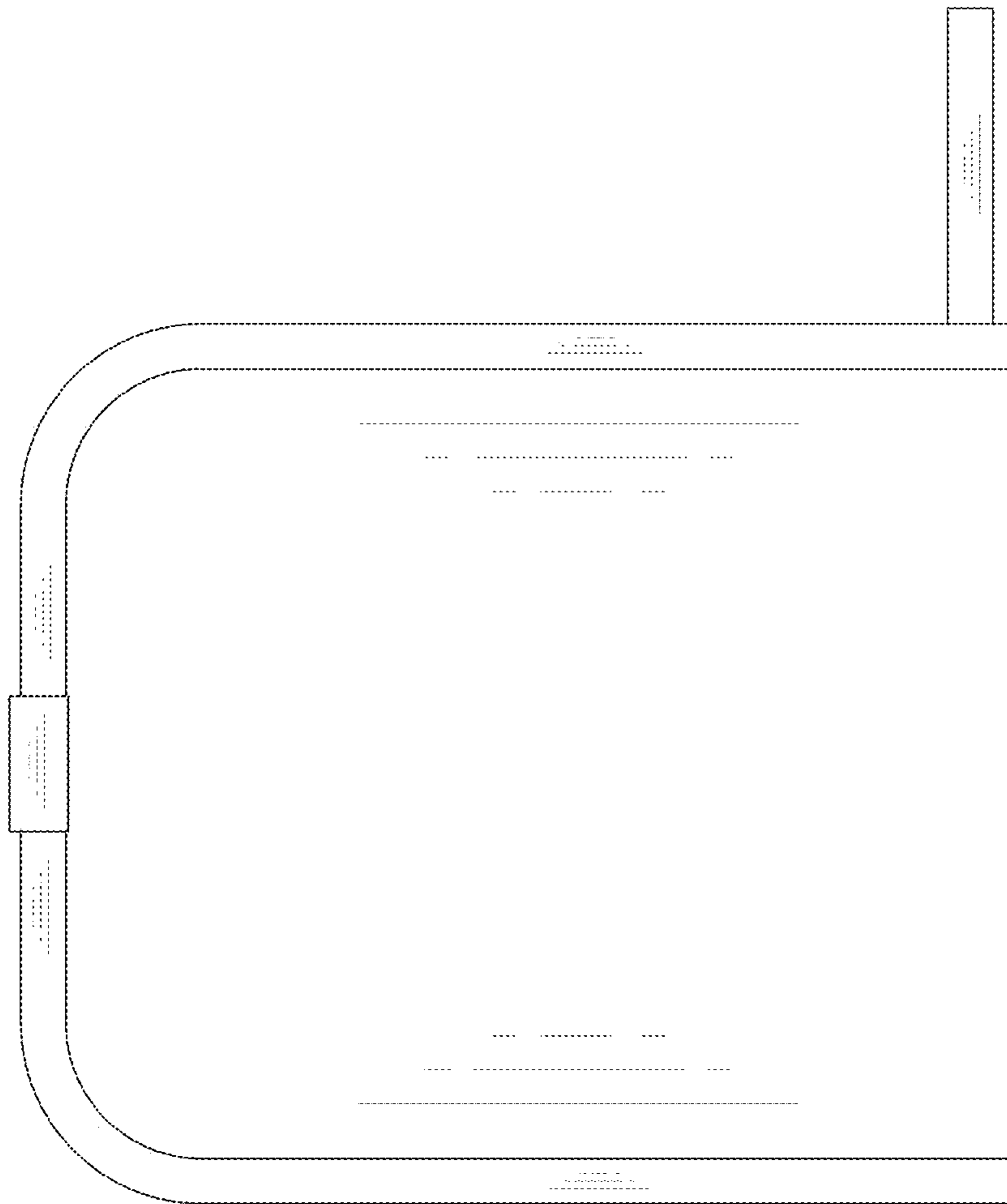


FIG. 4

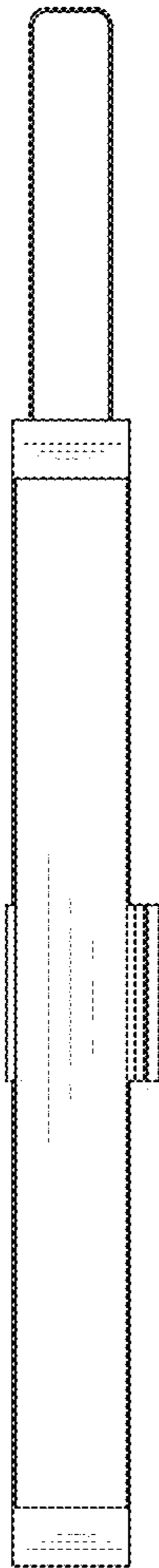


FIG. 5



FIG. 6



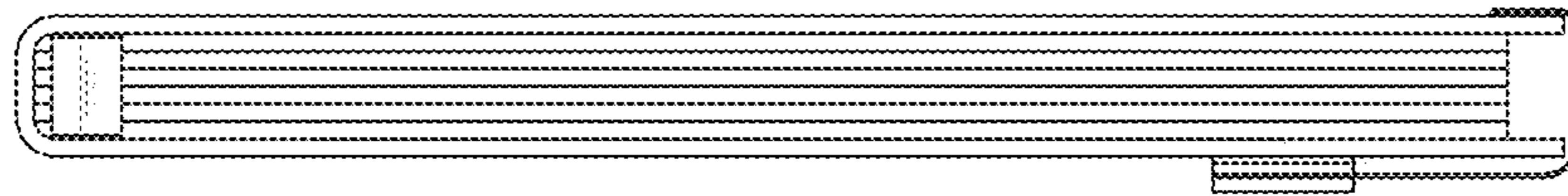


FIG. 7

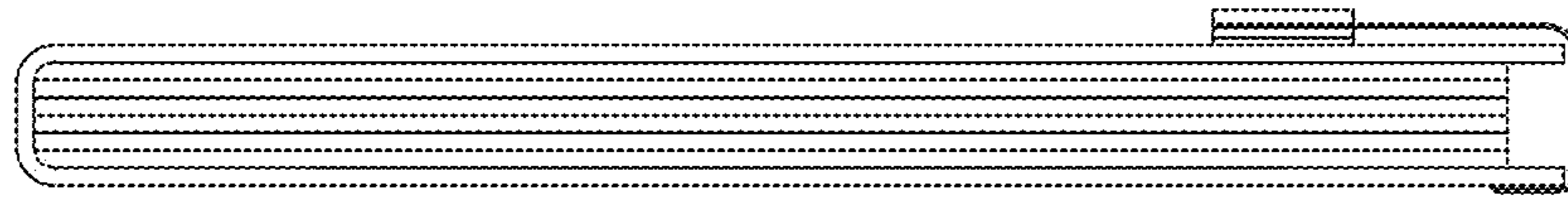


FIG. 8