



US00D985665S

(12) **United States Design Patent** (10) **Patent No.:** **US D985,665 S**
Wu (45) **Date of Patent:** **** May 9, 2023**

(54) **PIANO**

(71) Applicant: **JINJIANG SUNLIN ELECTRONIC CO., LTD**, Quanzhou (CN)

(72) Inventor: **Ruopeng Wu**, Quanzhou (CN)

(**) Term: **15 Years**

(21) Appl. No.: **29/881,578**

(22) Filed: **Jan. 3, 2023**

(30) **Foreign Application Priority Data**

Sep. 2, 2022 (CN) 202230580441.9

(51) **LOC (14) Cl.** **17-01**

(52) **U.S. Cl.**
USPC **D17/7**

(58) **Field of Classification Search**
USPC D17/1, 2, 7; D21/405, 409
CPC ... G10C 1/00; G10C 1/02; G10C 3/02; G10C
3/12; G10C 5/10; G10H 1/0033; G10H
1/0066

See application file for complete search history.

(56) **References Cited**

U.S. PATENT DOCUMENTS

4,988,150 A *	1/1991	Lindow	A47B 91/00 312/351.3
D341,371 S *	11/1993	Wong	D17/5
D401,962 S *	12/1998	Detrich	D17/7
D615,601 S *	5/2010	Trinca	D21/409
D688,730 S	8/2013	Suzuki et al.		
D890,249 S *	7/2020	Boes	D17/7
D916,200 S *	4/2021	Reese	A63H 33/22 D21/409

OTHER PUBLICATIONS

Amazon.https://www.amazon.com/BELIFEGLORY-Keyboard-Electrial-Educational-Instrument/dp/B0BQMTT9P6/ref=sr_1_241_sspa?crid=35C5RYUHMMBJ&keywords=digital+keyboard&qid=1675981575&prefix=digital+keyboard%2Caps%2C97&sr=8-241-

spons&psc=1&spLa=ZW5jcmlwdGVkUXVhbGlmaWVyPUEyMU9HS0gwWFJNVdZlJmVuY3J5cHRIZEikPUEwOTM1MzAxM0xGU1BJVjhNSDIWUCZlbnNyeXB0ZWRBZEikPUEwNzA4MDA3U0oyRzBVSUVIS1RFJndpZGdldE5hbWU9c3BfYXRmX25leH QmYWN0aW9uPWNsaWNrUmVkaXJlY3QmZG9Ob3RMb2dDbGljaz10cnVI. "Belifegloory 25 Keys Kids Piano Keyboard". Date Unknown: Viewed Feb. 2023 (Year: 2023).*

Amazon.

* cited by examiner

Primary Examiner — R. Johnson

(57) **CLAIM**

The ornamental design for a piano, as shown and described.

DESCRIPTION

FIG. 1 is a front and top perspective view of a piano, showing my new design;

FIG. 2 is a rear and bottom perspective view thereof;

FIG. 3 is a front elevation view thereof;

FIG. 4 is a rear elevation view thereof;

FIG. 5 is a left side elevation view thereof;

FIG. 6 is a right side elevation view thereof;

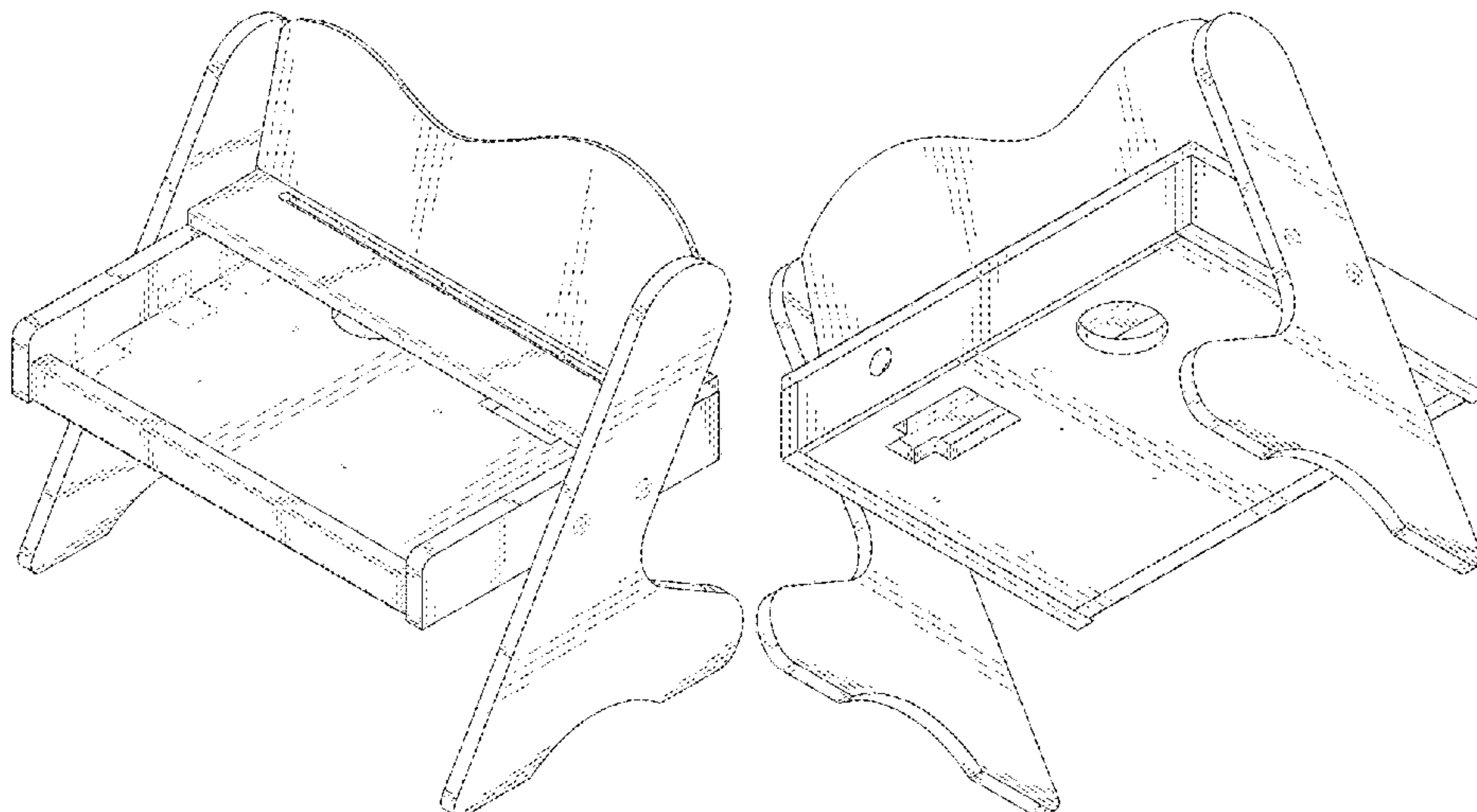
FIG. 7 is a top plan view thereof;

FIG. 8 is a bottom plan view thereof; and,

FIG. 9 is another perspective view thereof, shown in a using position.

The dashed lines in the figures illustrate portions of the piano that form no part of the claimed design. The evenly dashed lines showing of the piano keys in FIG. 9 depict environmental structure that form no part of the claimed design.

1 Claim, 9 Drawing Sheets



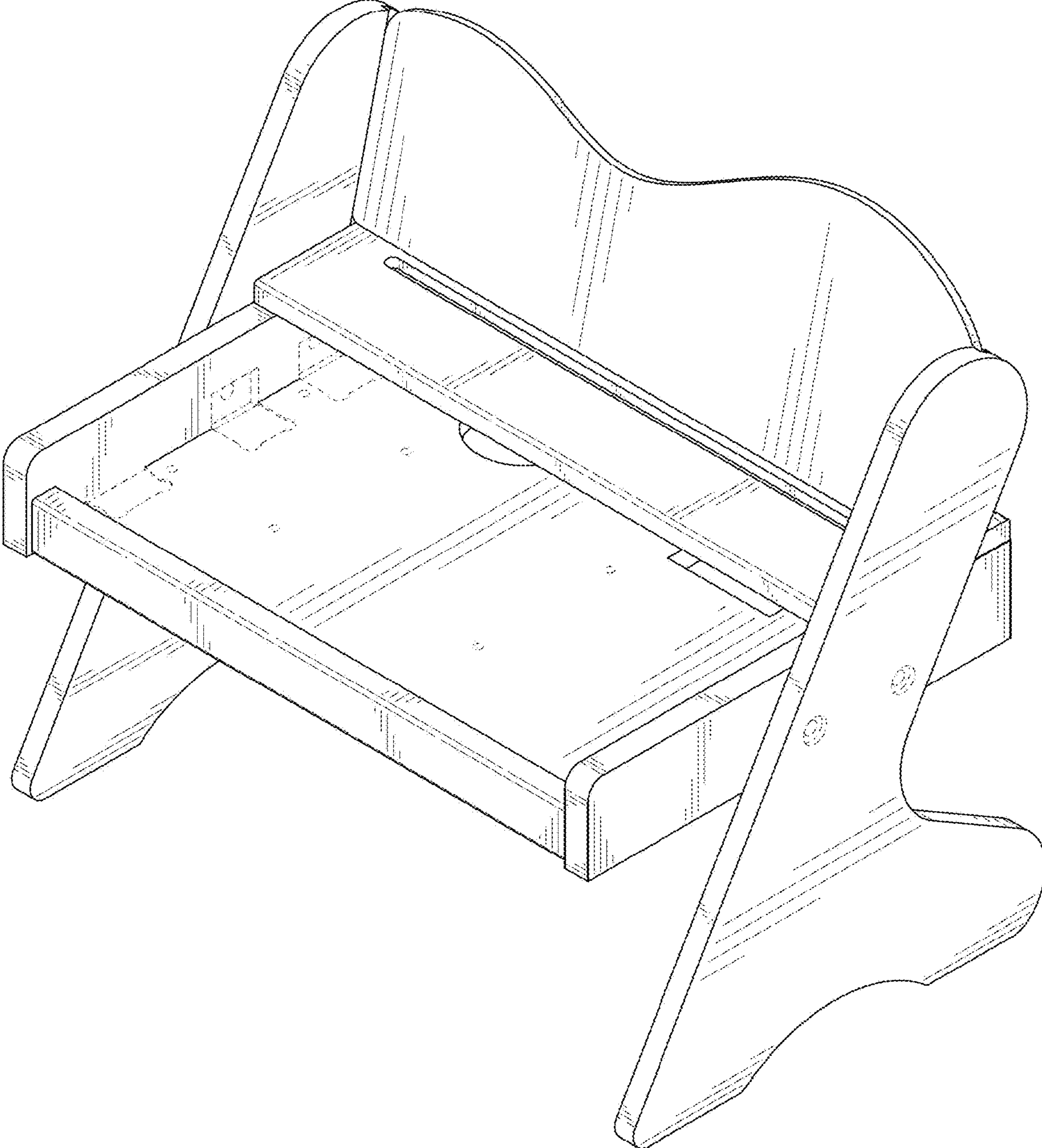


FIG. 1

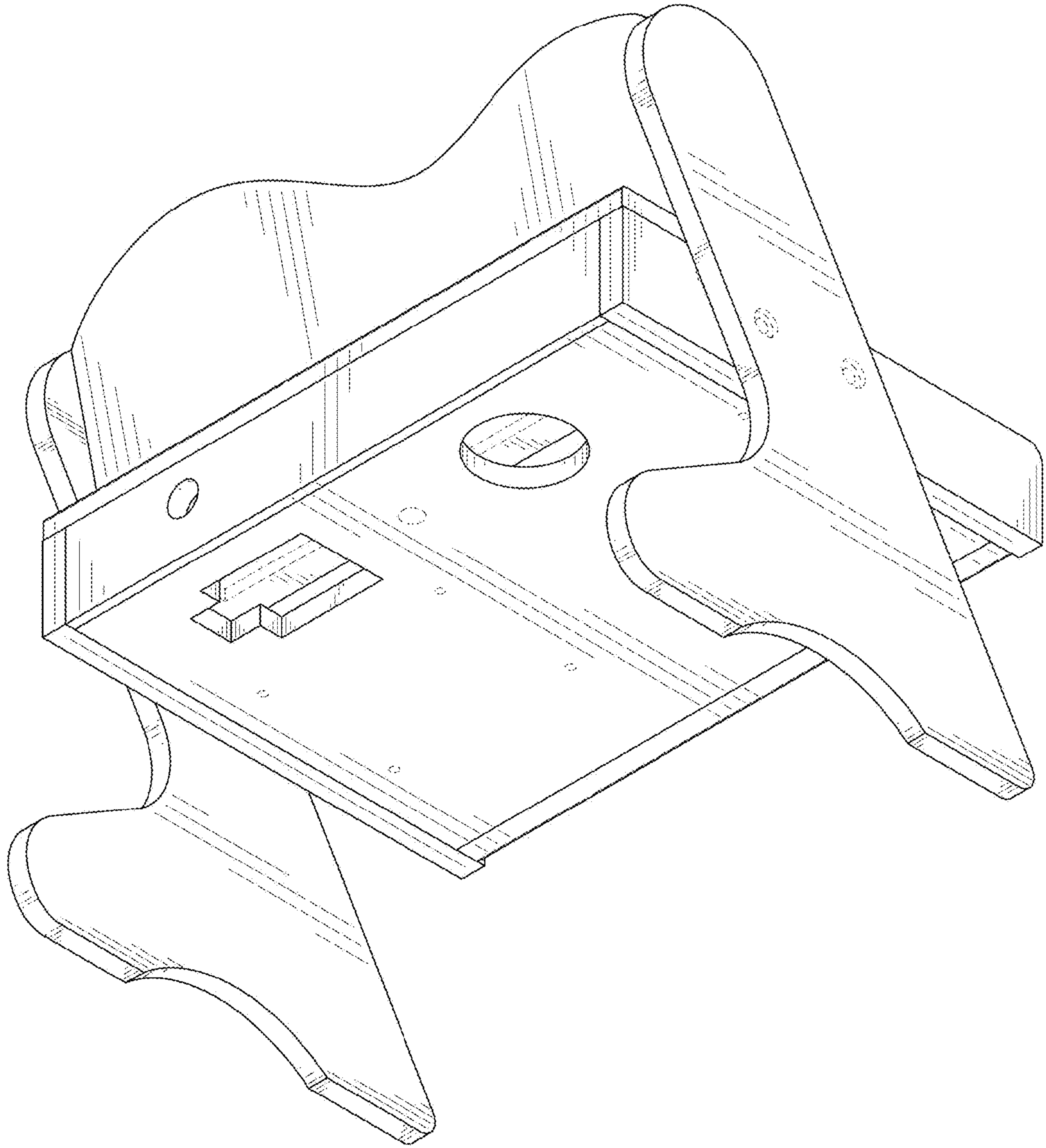


FIG. 2

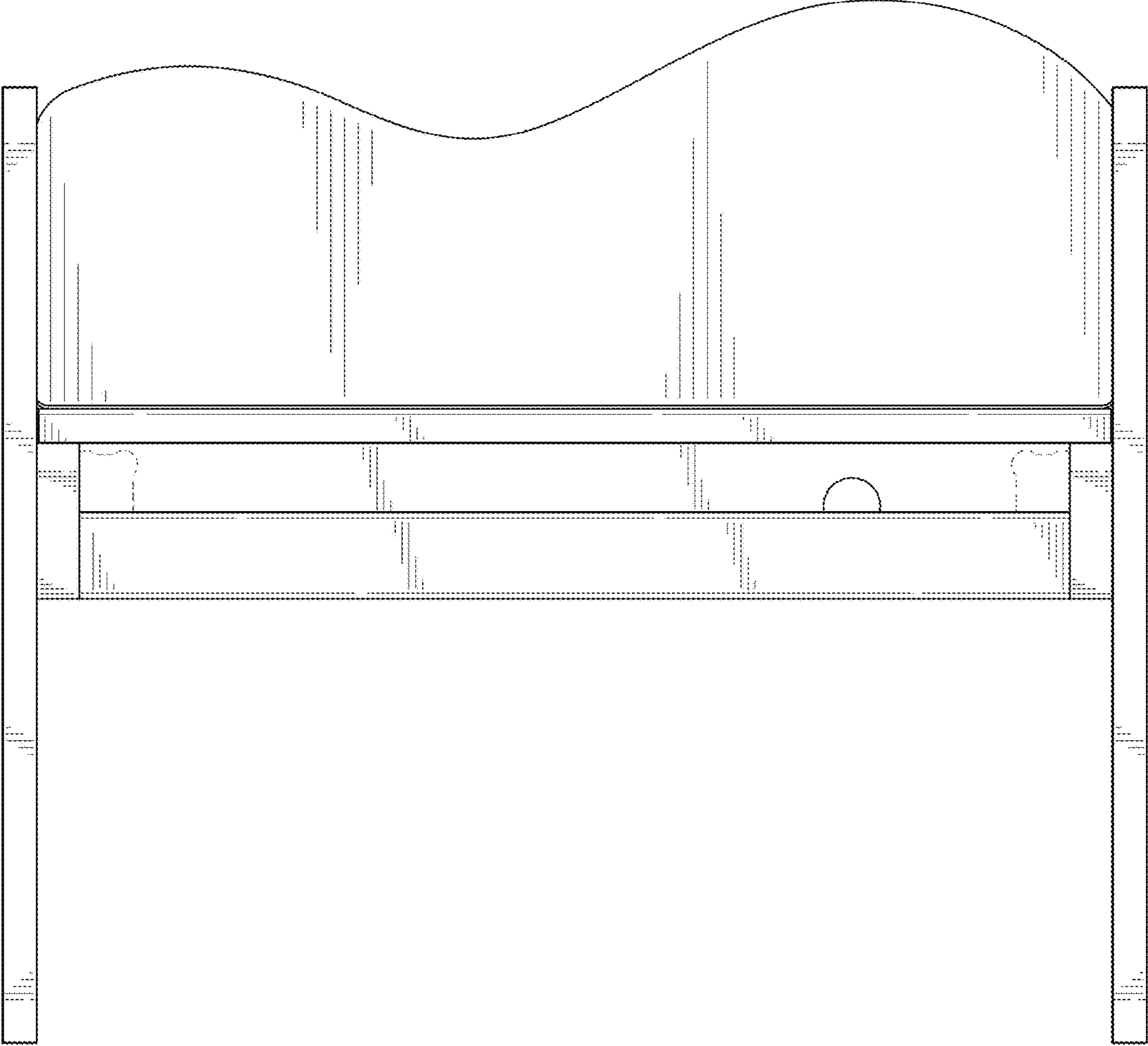


FIG. 3

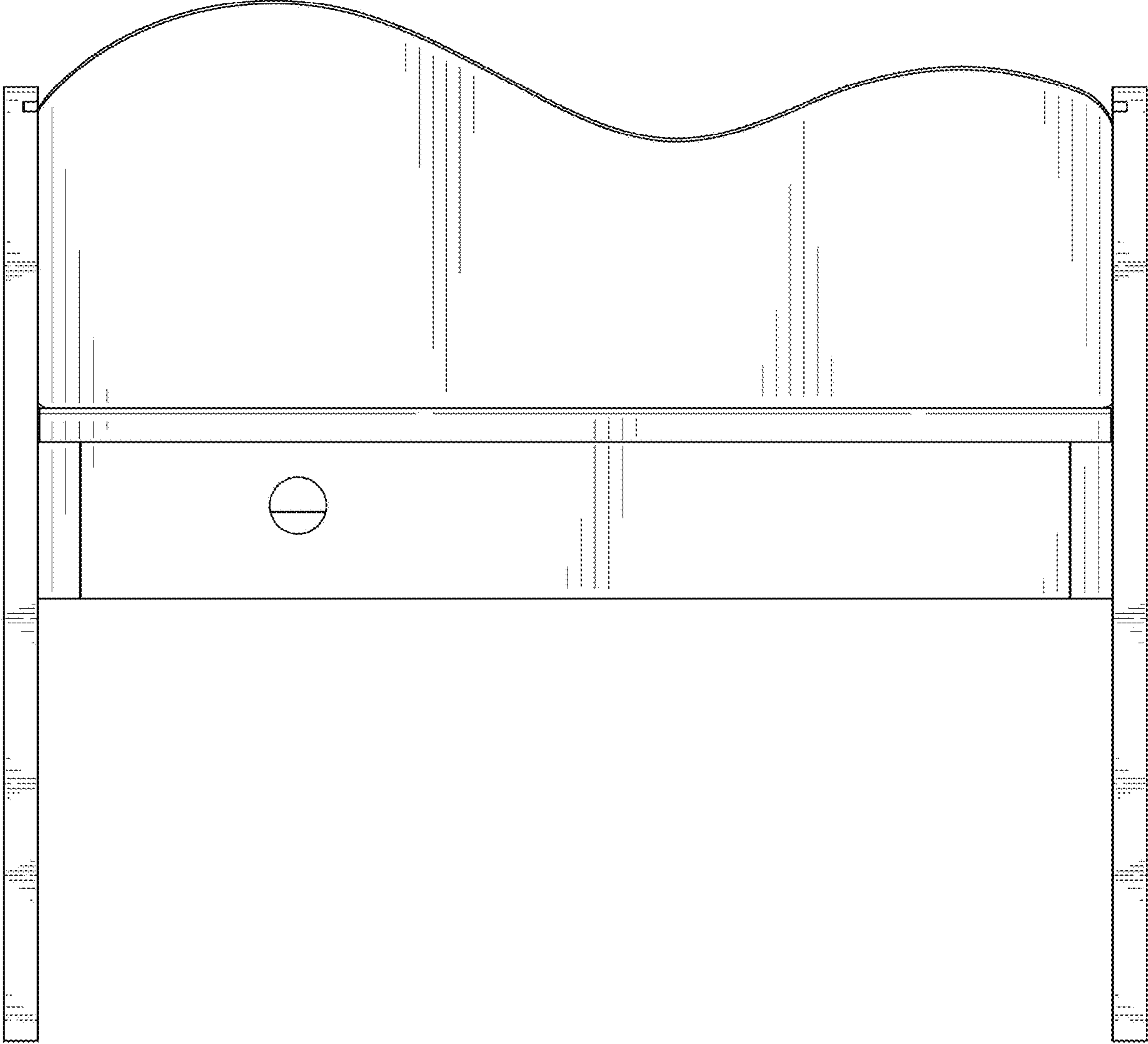


FIG. 4

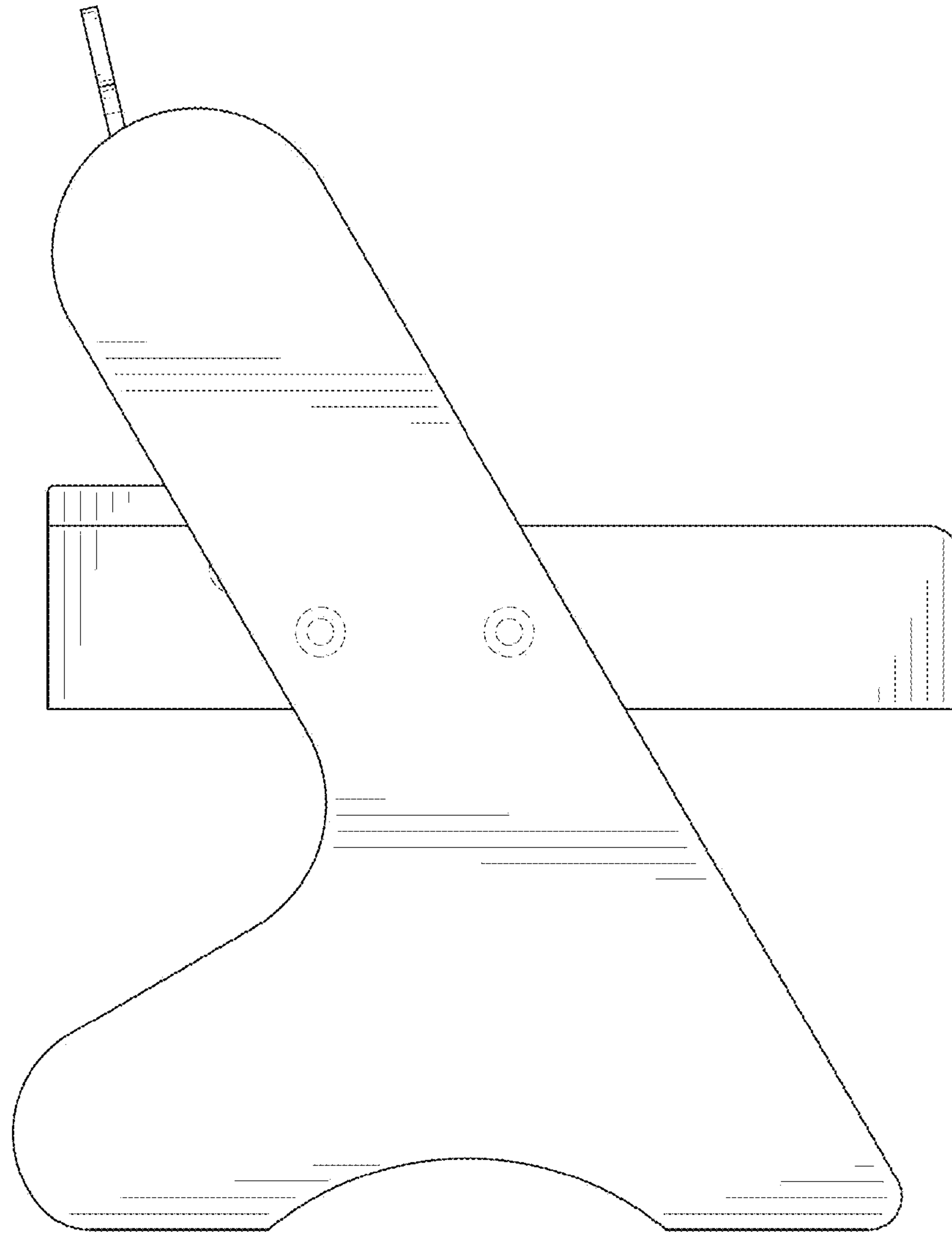


FIG. 5

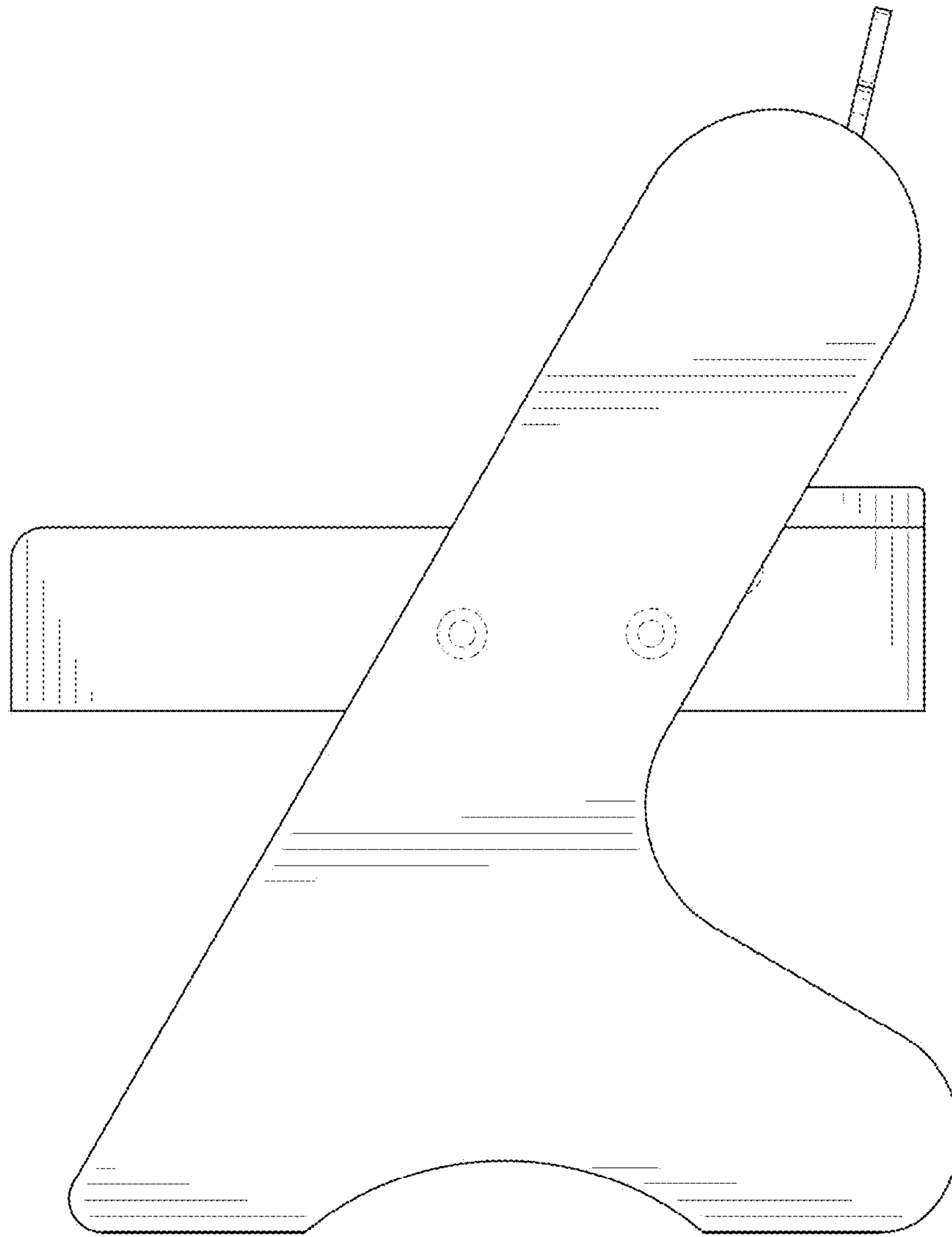


FIG. 6

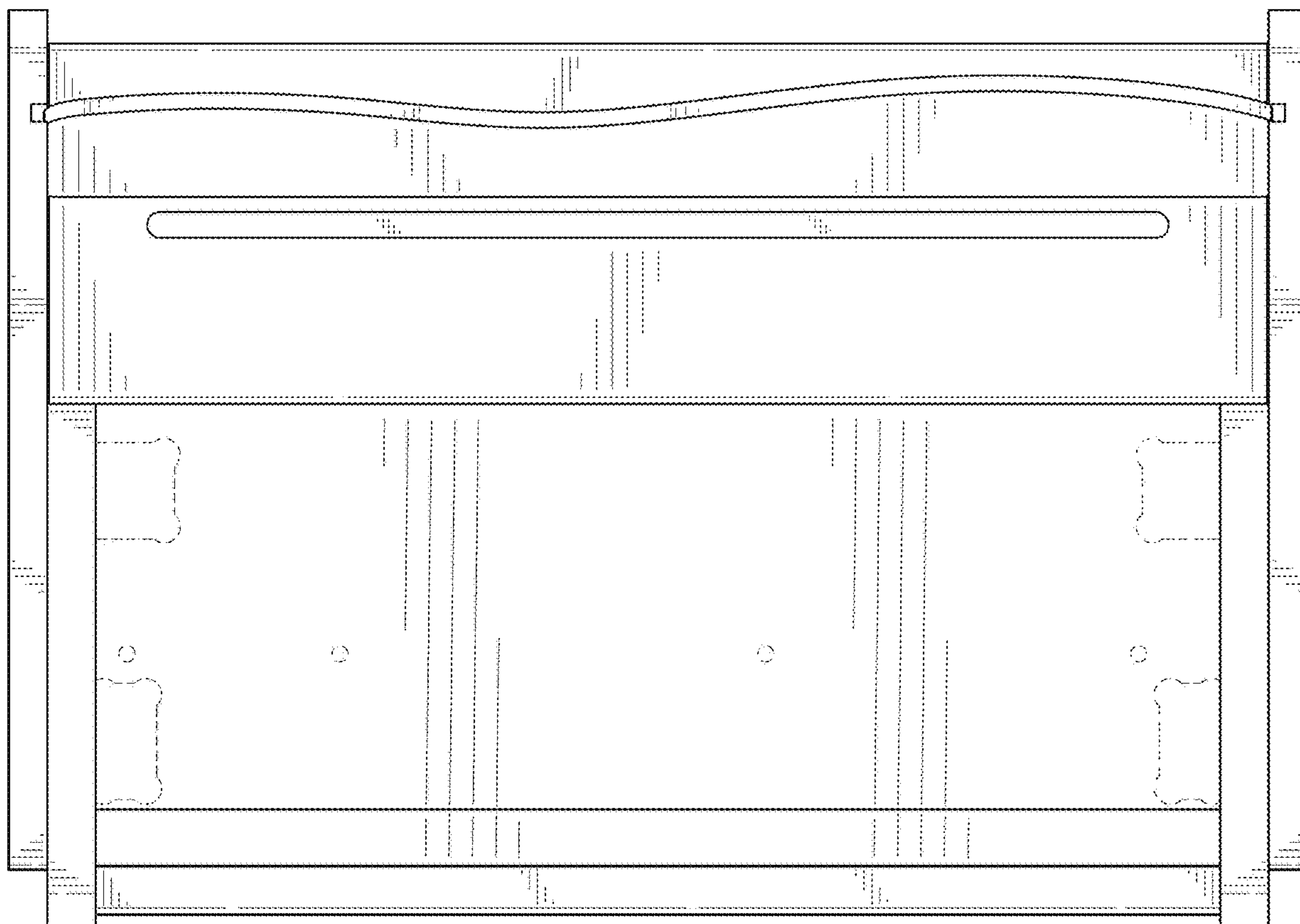


FIG. 7

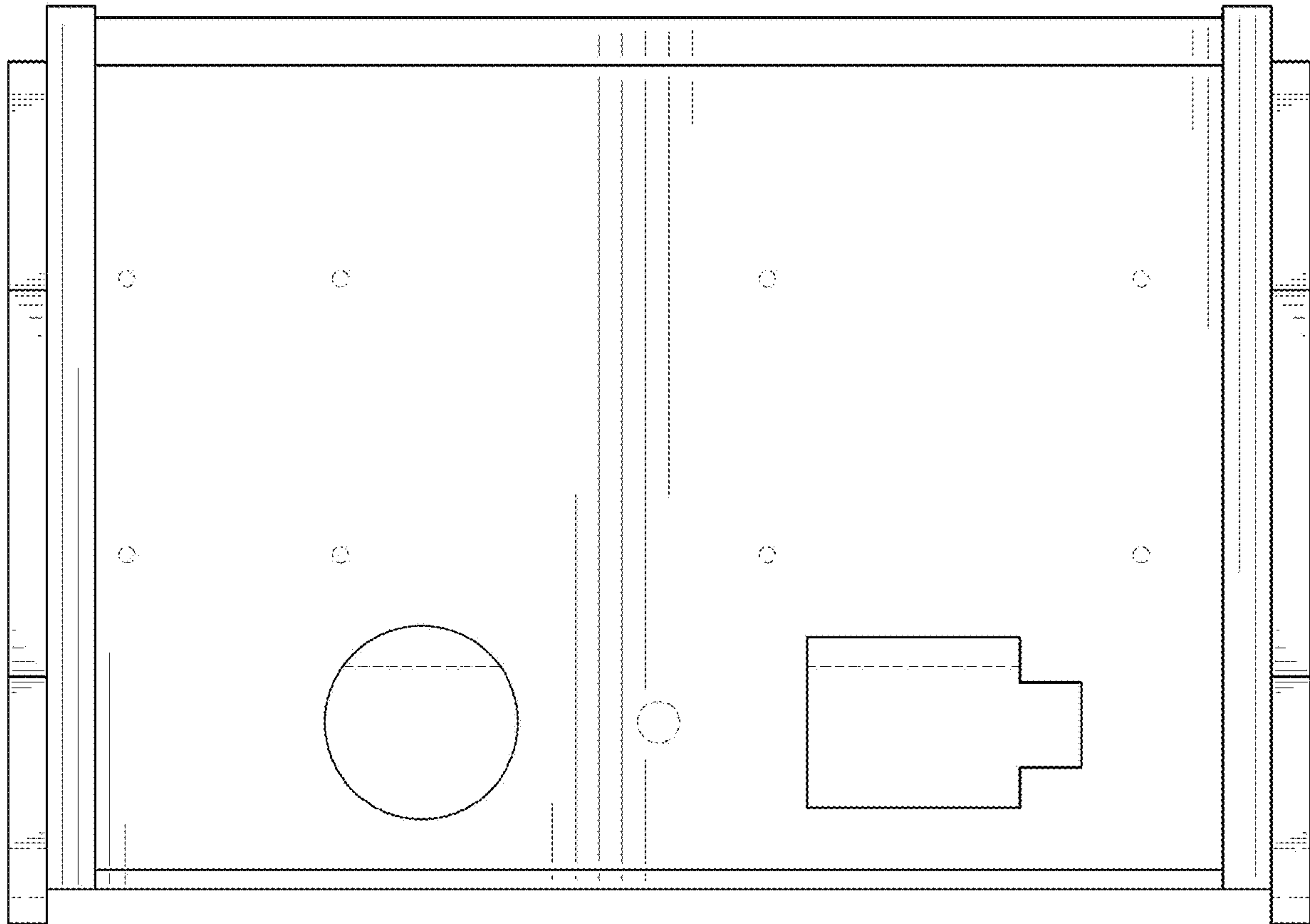


FIG. 8

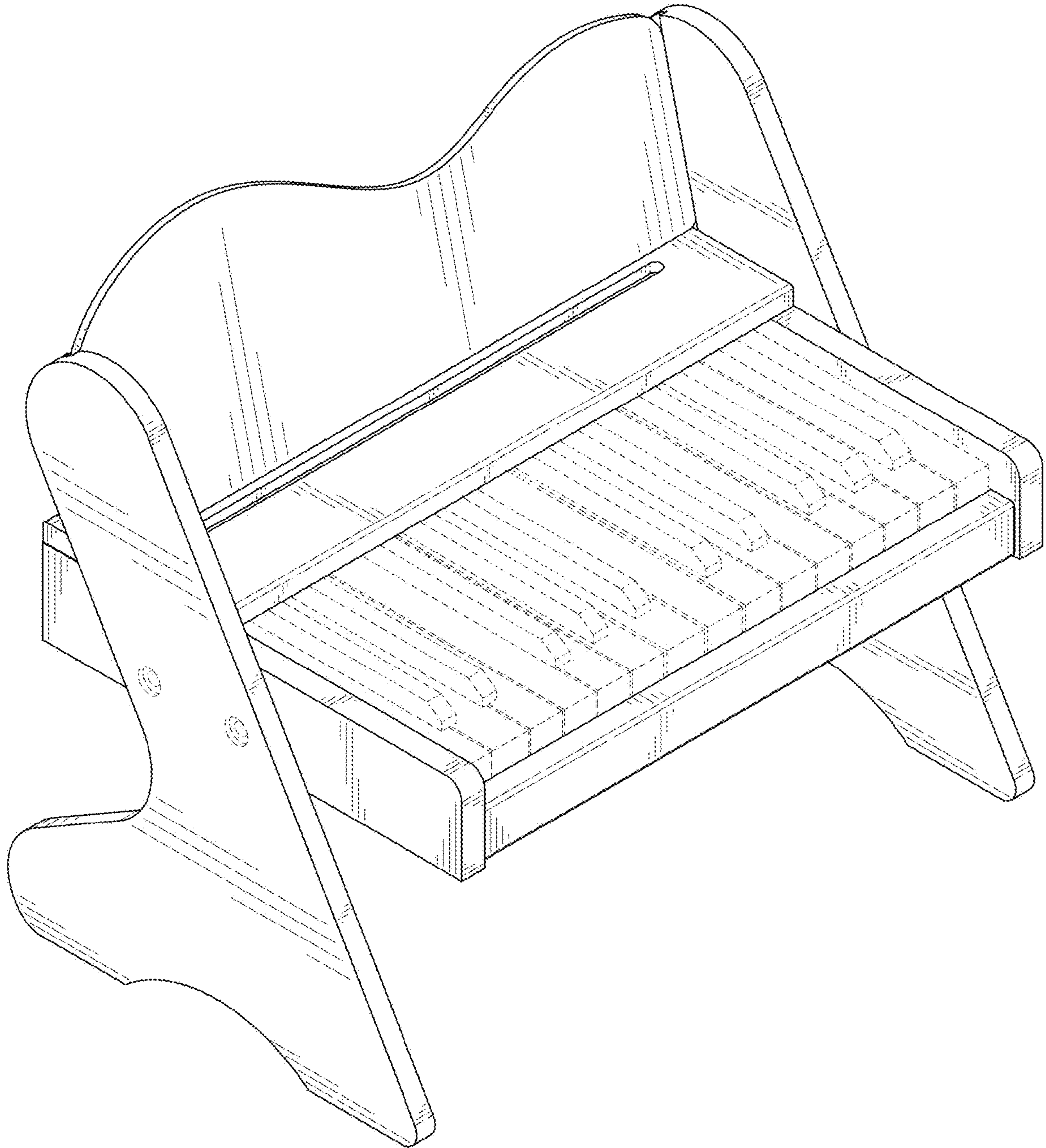


FIG. 9