



US00D985659S

(12) **United States Design Patent**
Chen

(10) **Patent No.:** **US D985,659 S**

(45) **Date of Patent:** **** May 9, 2023**

(54) **TRIPOD**

(71) Applicant: **YUEQING ORIGINALITY
PHOTOGRAPHY EQUIPMENT
CO., LTD., Yueqing (CN)**

(72) Inventor: **Qingyuan Chen, Yueqing (CN)**

(73) Assignee: **YUEQING ORIGINALITY
PHOTOGRAPHY EQUIPMENT CO.,
LTD., Yueqing (CN)**

(**) Term: **15 Years**

(21) Appl. No.: **29/867,915**

(22) Filed: **Nov. 14, 2022**

Related U.S. Application Data

(62) Division of application No. 29/834,969, filed on Apr. 15, 2022, now Pat. No. Des. 975,170.

(51) **LOC (14) Cl.** **16-05**

(52) **U.S. Cl.**
USPC **D16/244**

(58) **Field of Classification Search**
USPC D16/202, 208–209, 219, 237–245
CPC G03B 17/02; G03B 17/56; G03B 17/04;
G03B 17/561–566; G03B 15/03; H04N
5/2251; H04N 5/2252; H04N 5/2253;
H04N 5/2254; G02B 7/02; G02B 7/04;
G02B 7/14

See application file for complete search history.

(56) **References Cited**

U.S. PATENT DOCUMENTS

D864,282 S * 10/2019 Liu D16/244
D888,814 S * 6/2020 Chen D16/244
D895,716 S * 9/2020 Chen D16/244

D901,578 S * 11/2020 Wang D16/244
D916,172 S * 4/2021 Zeng D16/244
D942,529 S * 2/2022 Lin D16/244
D943,020 S * 2/2022 Lin D16/244
D947,930 S * 4/2022 Chen D16/244
D956,128 S * 6/2022 Lin D16/244
D957,510 S * 7/2022 Lin D16/244
D959,539 S * 8/2022 Lin D16/244
D962,328 S * 8/2022 Zhong D16/244

* cited by examiner

Primary Examiner — Ramzi Almatrahi

(57) **CLAIM**

The ornamental design for a tripod, as shown and described.

DESCRIPTION

FIG. 1 is a top, front and left side perspective view of a tripod showing my new design;

FIG. 2 is a bottom, rear and right side perspective view thereof;

FIG. 3 is a front elevational view thereof;

FIG. 4 is a rear elevational view thereof;

FIG. 5 is a left side elevational view thereof;

FIG. 6 is a right side elevational view thereof;

FIG. 7 is a top plan view thereof;

FIG. 8 is a bottom plan view thereof;

FIG. 9 is a top, front and left side perspective view thereof, shown with the tripod in a folded configuration;

FIG. 10 is an enlarged view of portion 10 shown in FIG. 1;

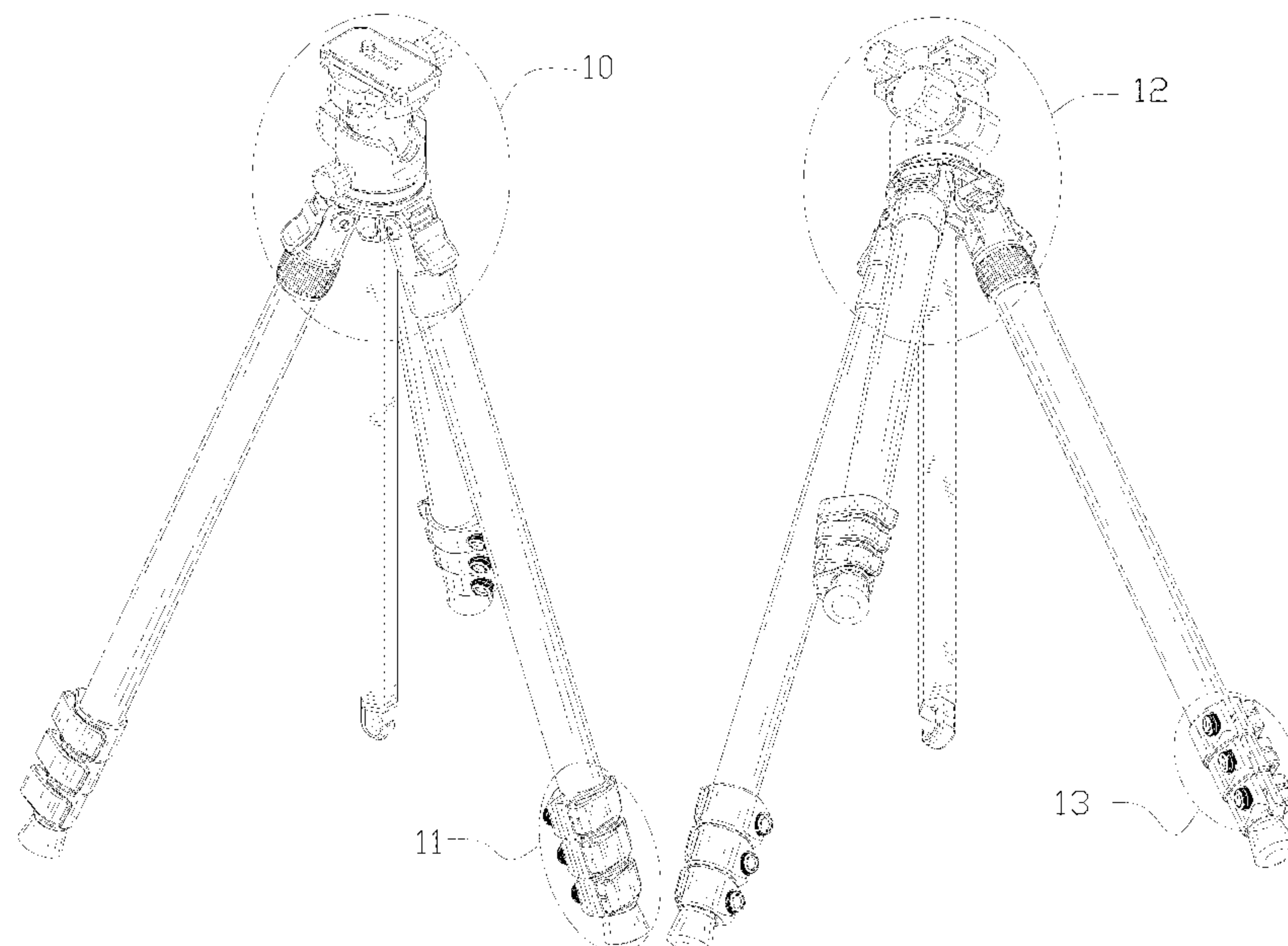
FIG. 11 is an enlarged view of portion 11 shown in FIG. 1;

FIG. 12 is an enlarged view of portion 12 shown in FIG. 2; and,

FIG. 13 is an enlarged view of portion 13 shown in FIG. 2.

The dash-dash broken lines in the drawings depict portions of the tripod that form no part of the claimed design. The dot-dash broken lines represent boundaries of the enlarged portions and form no part of the claimed design.

1 Claim, 13 Drawing Sheets



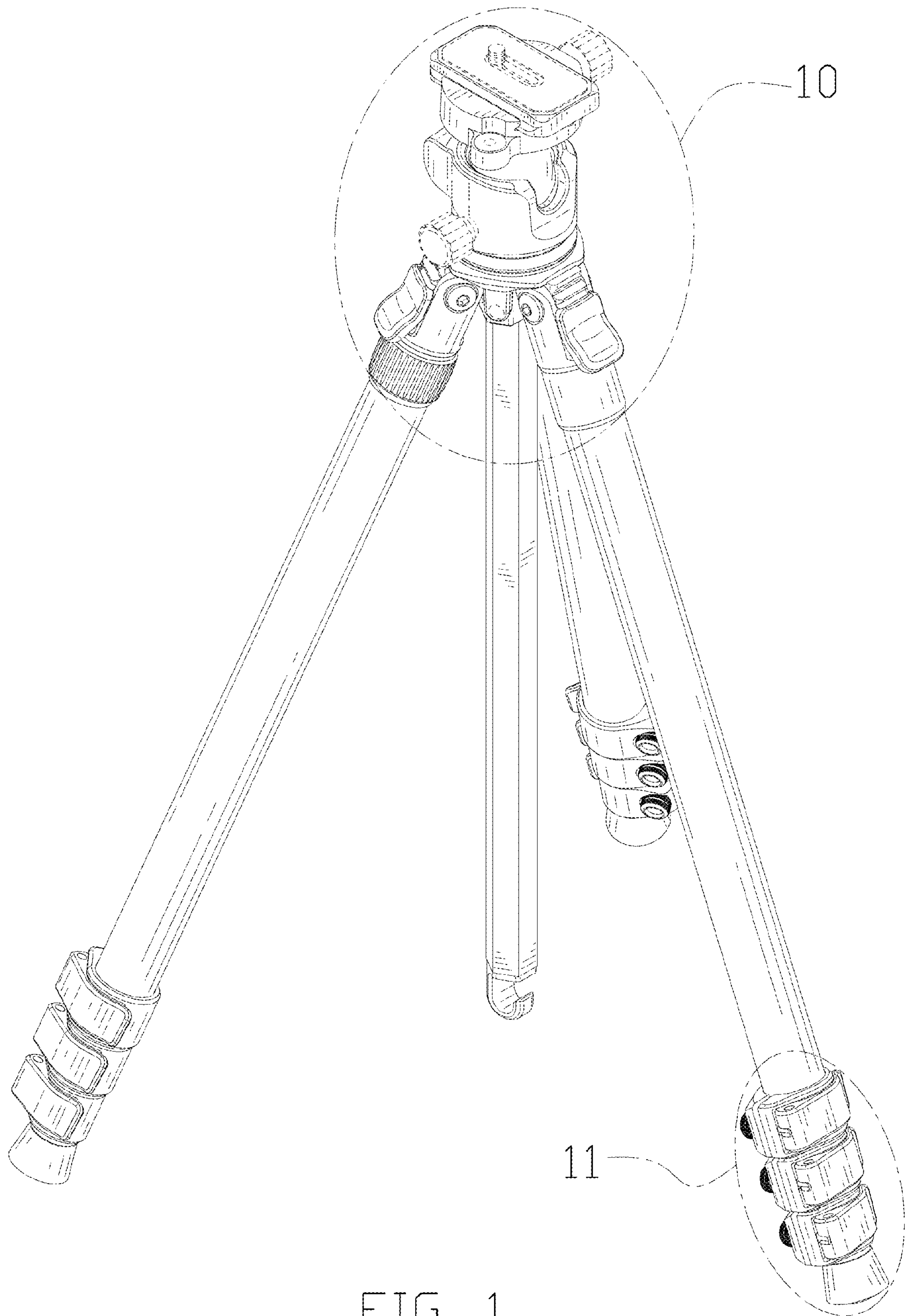


FIG. 1

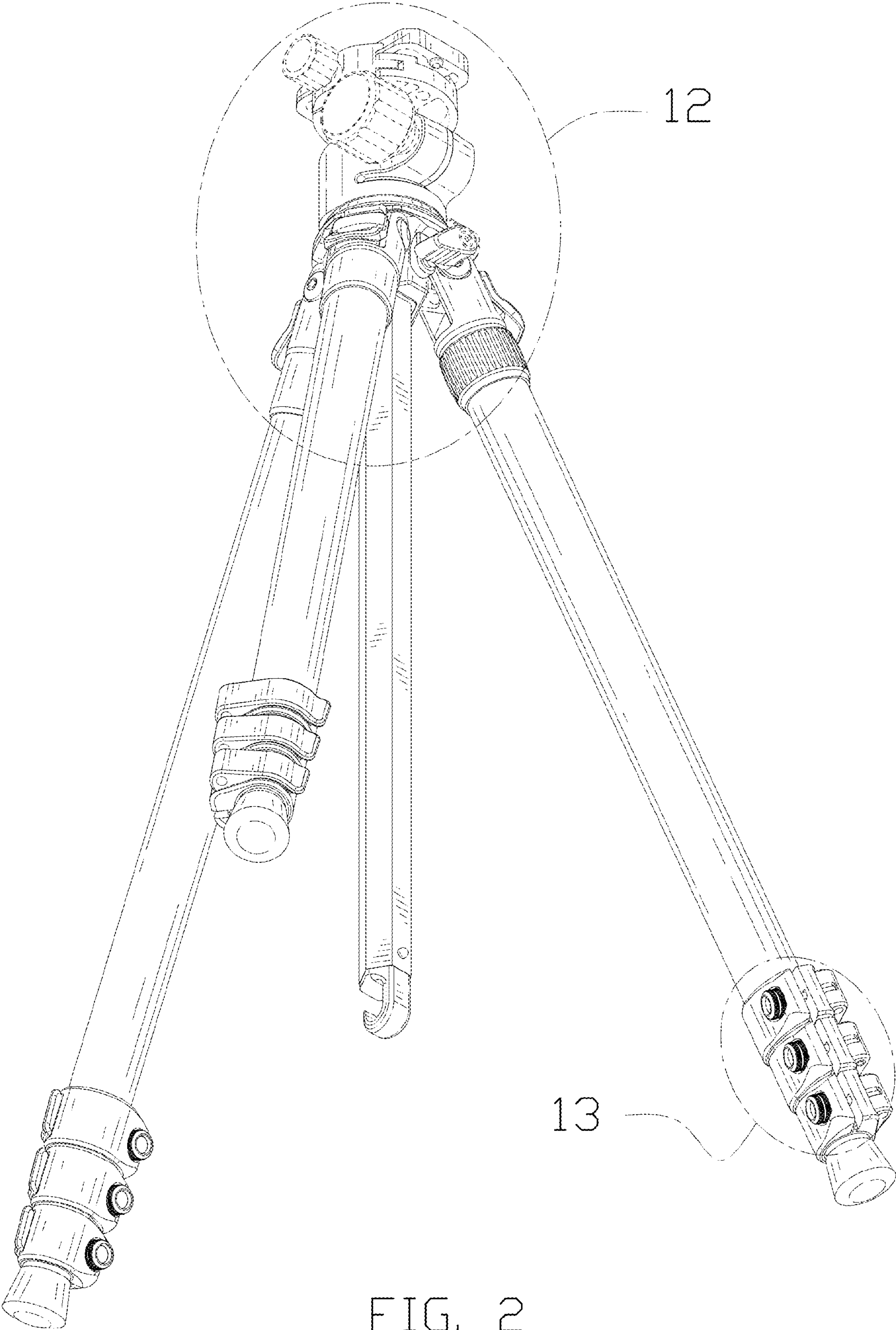


FIG. 2

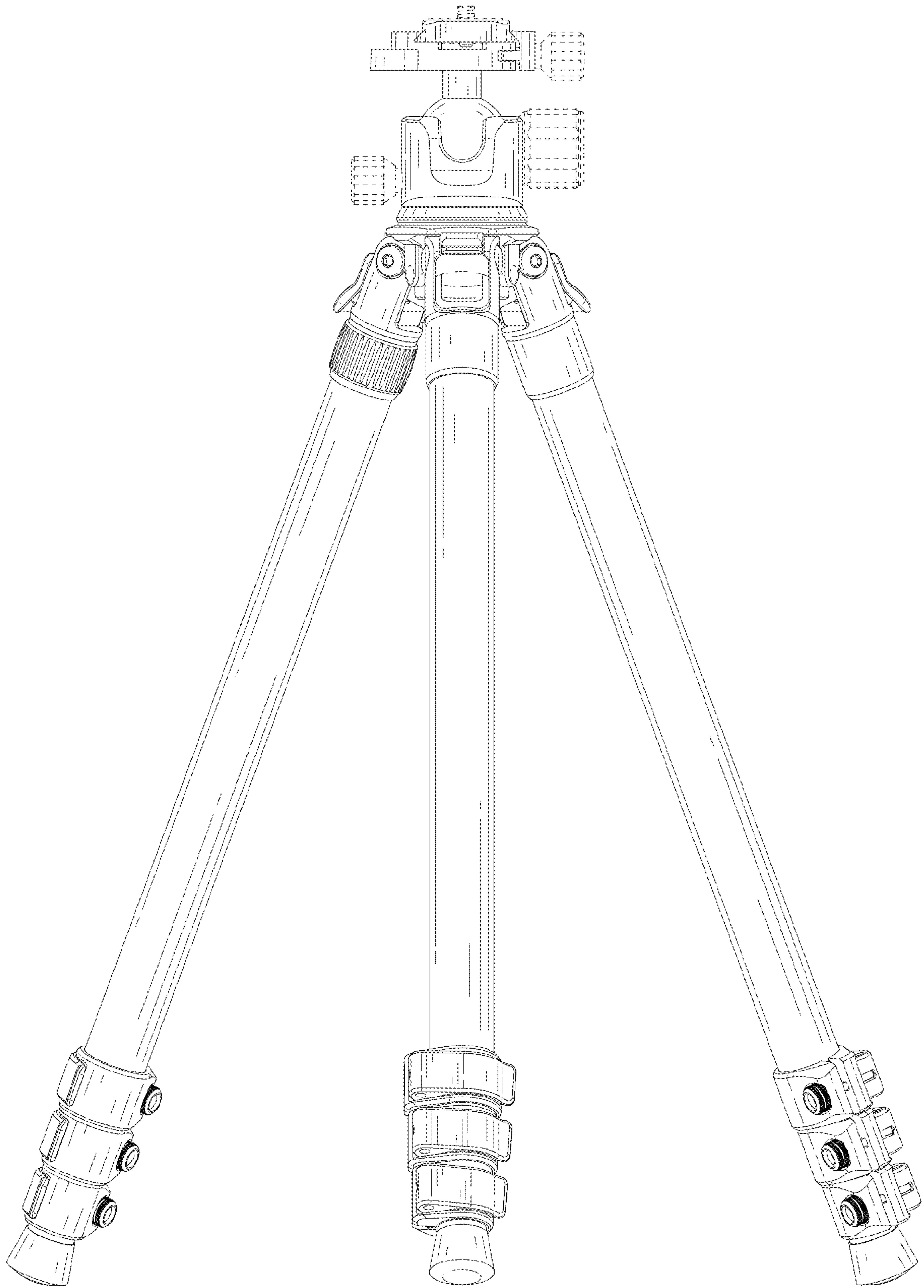


FIG. 3

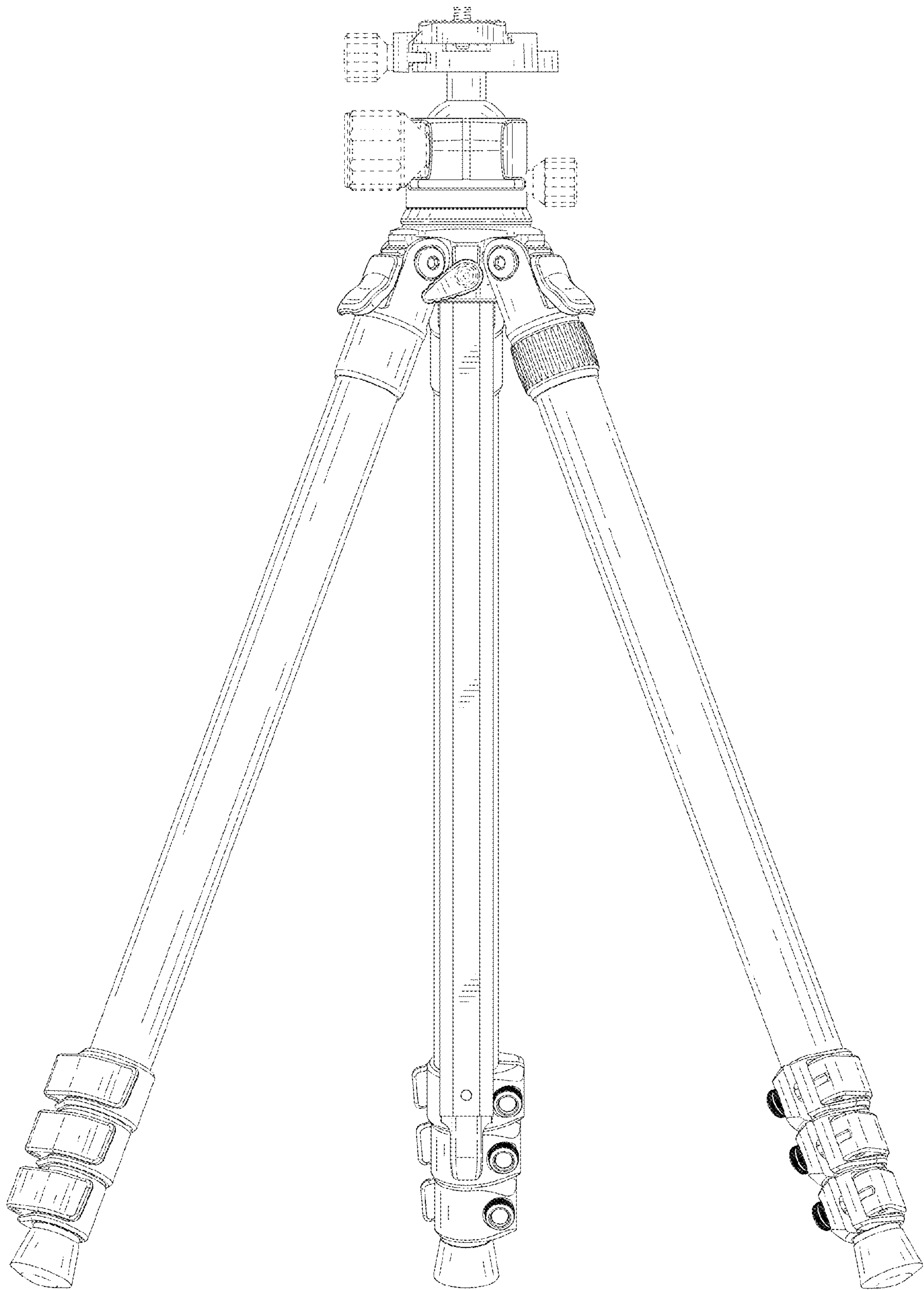


FIG. 4

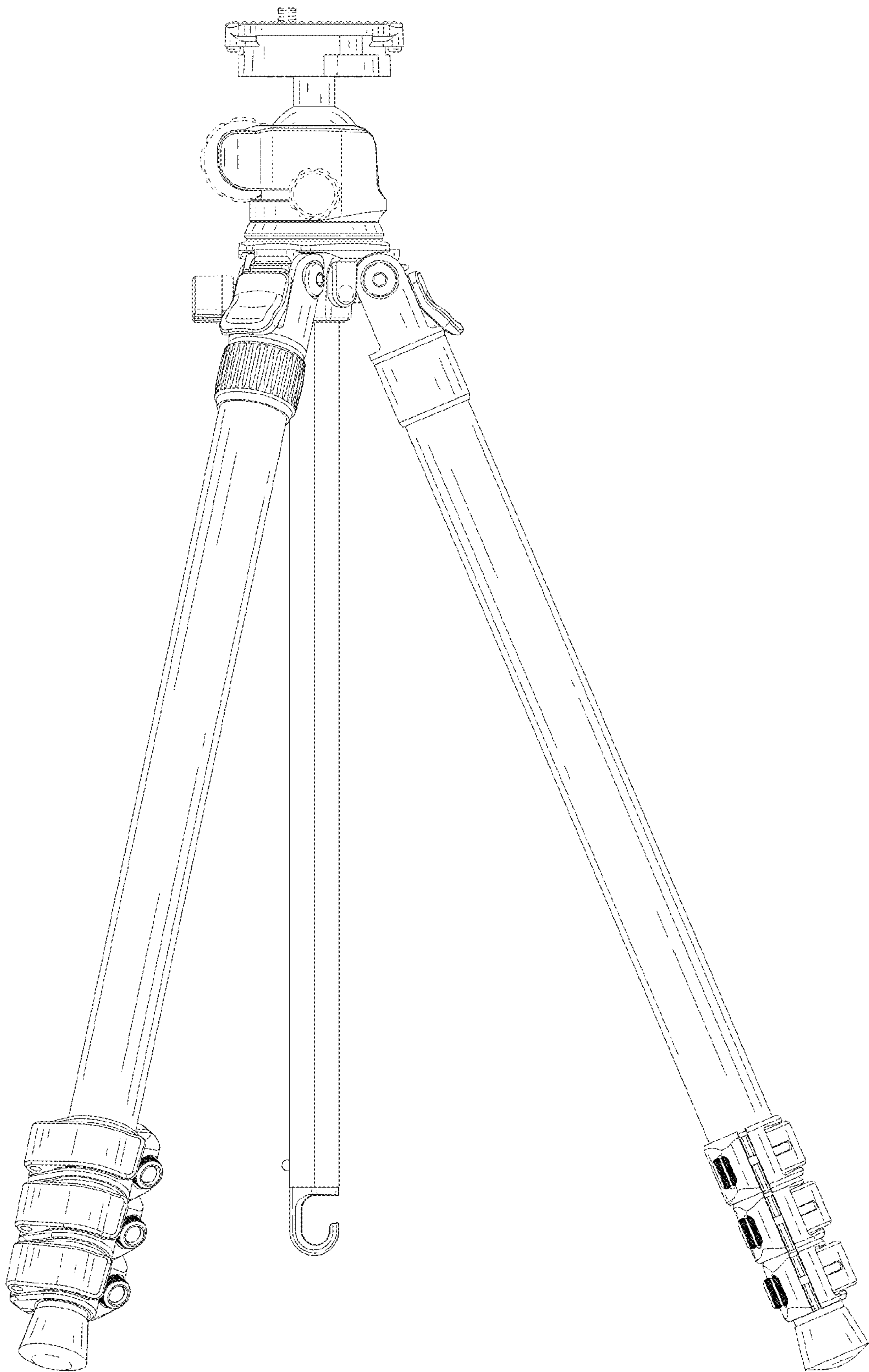


FIG. 5

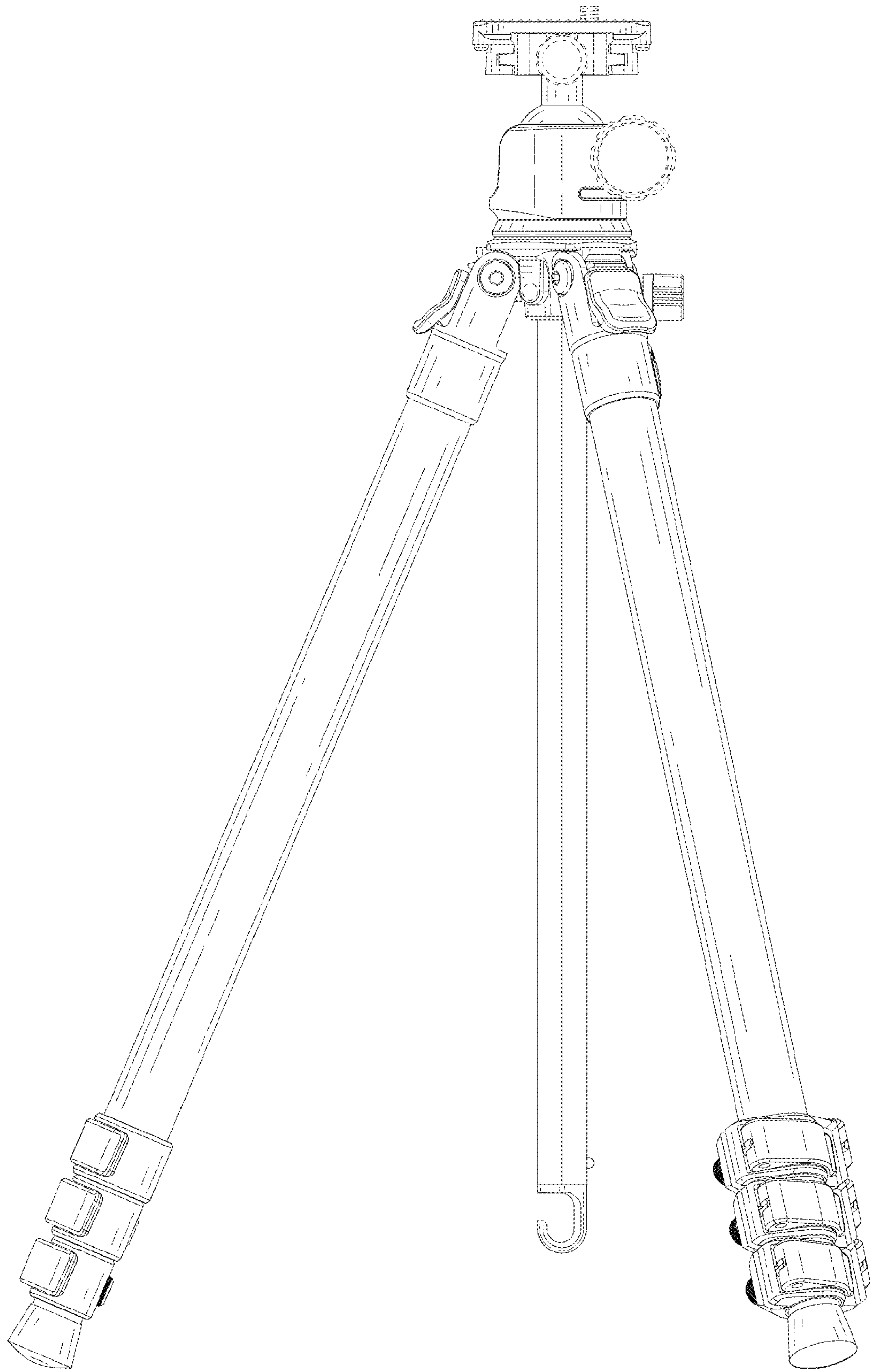


FIG. 6

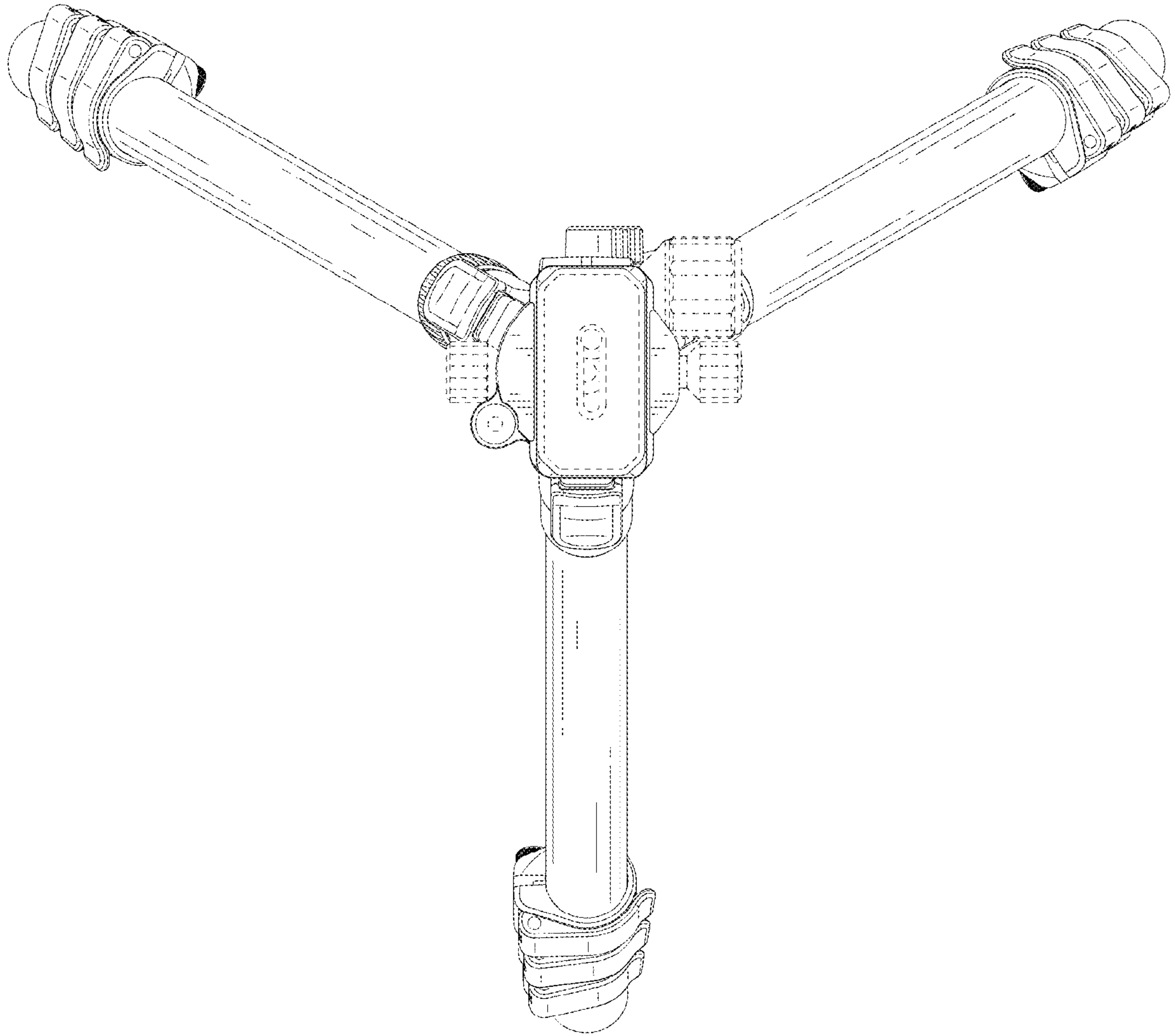


FIG. 7

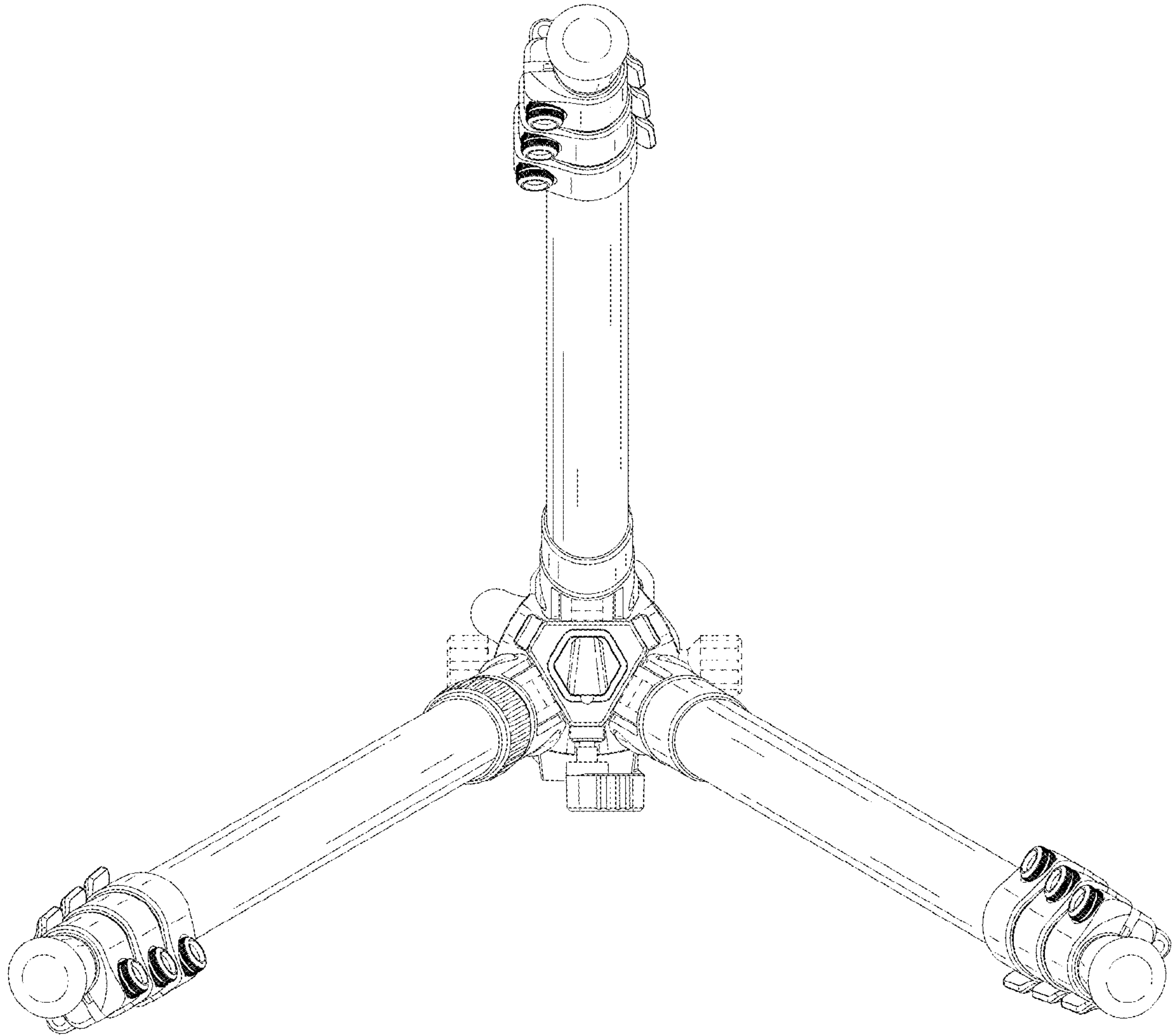


FIG. 8

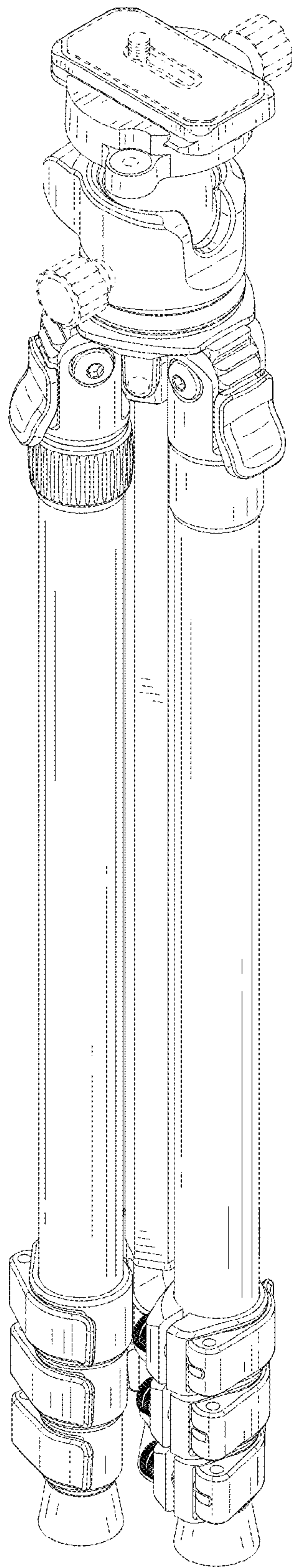


FIG. 9

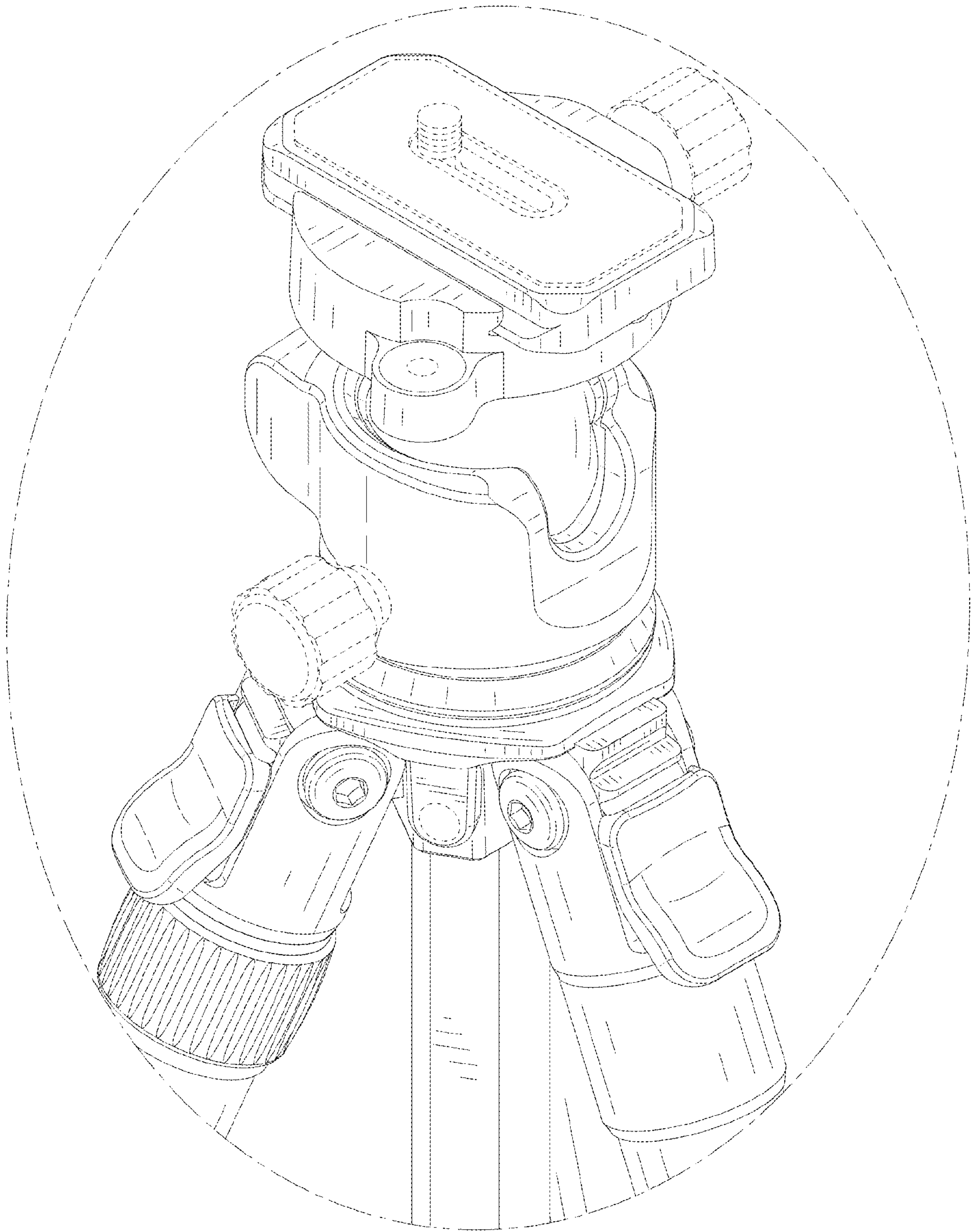


FIG. 10

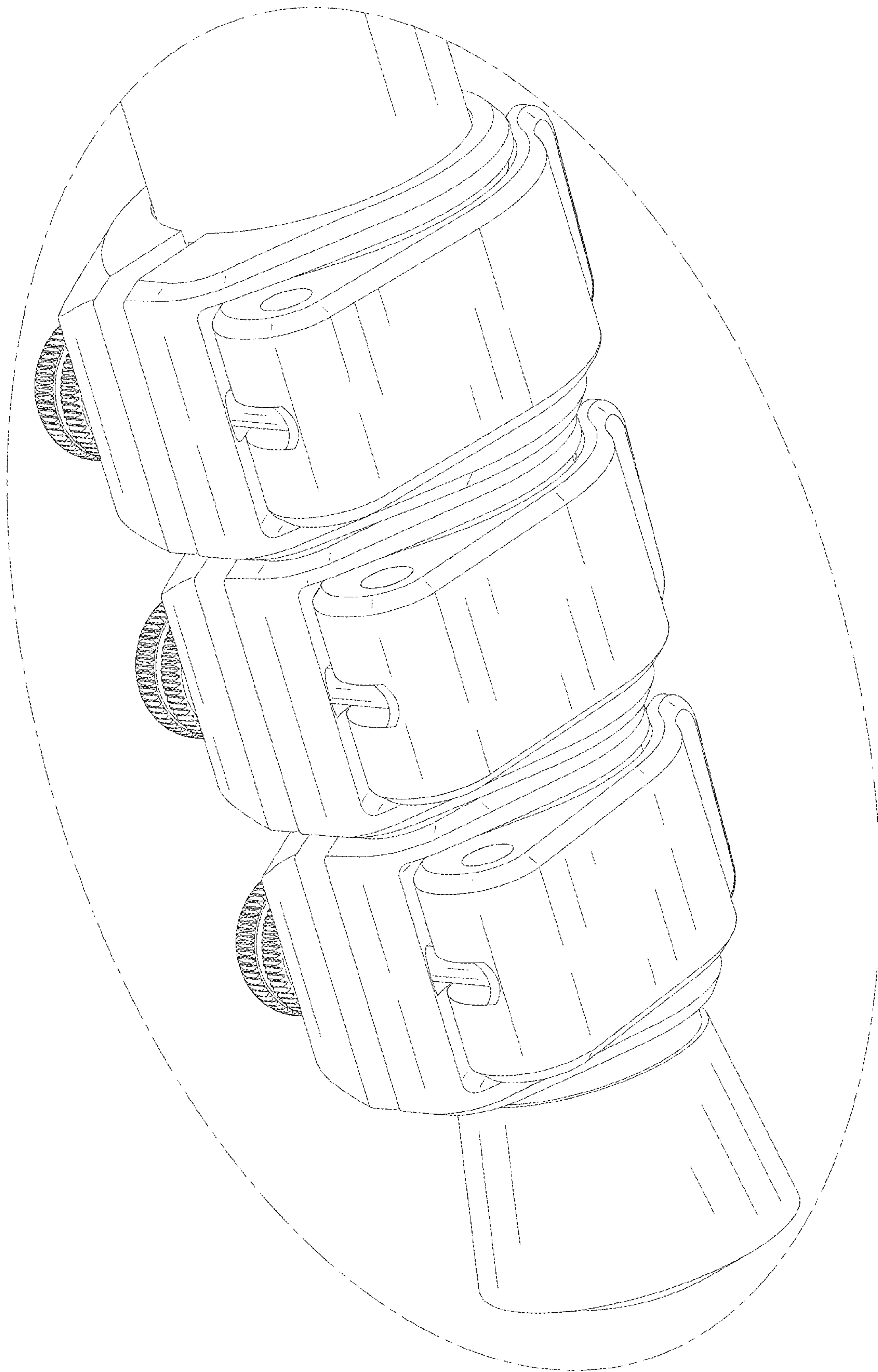


FIG. 11

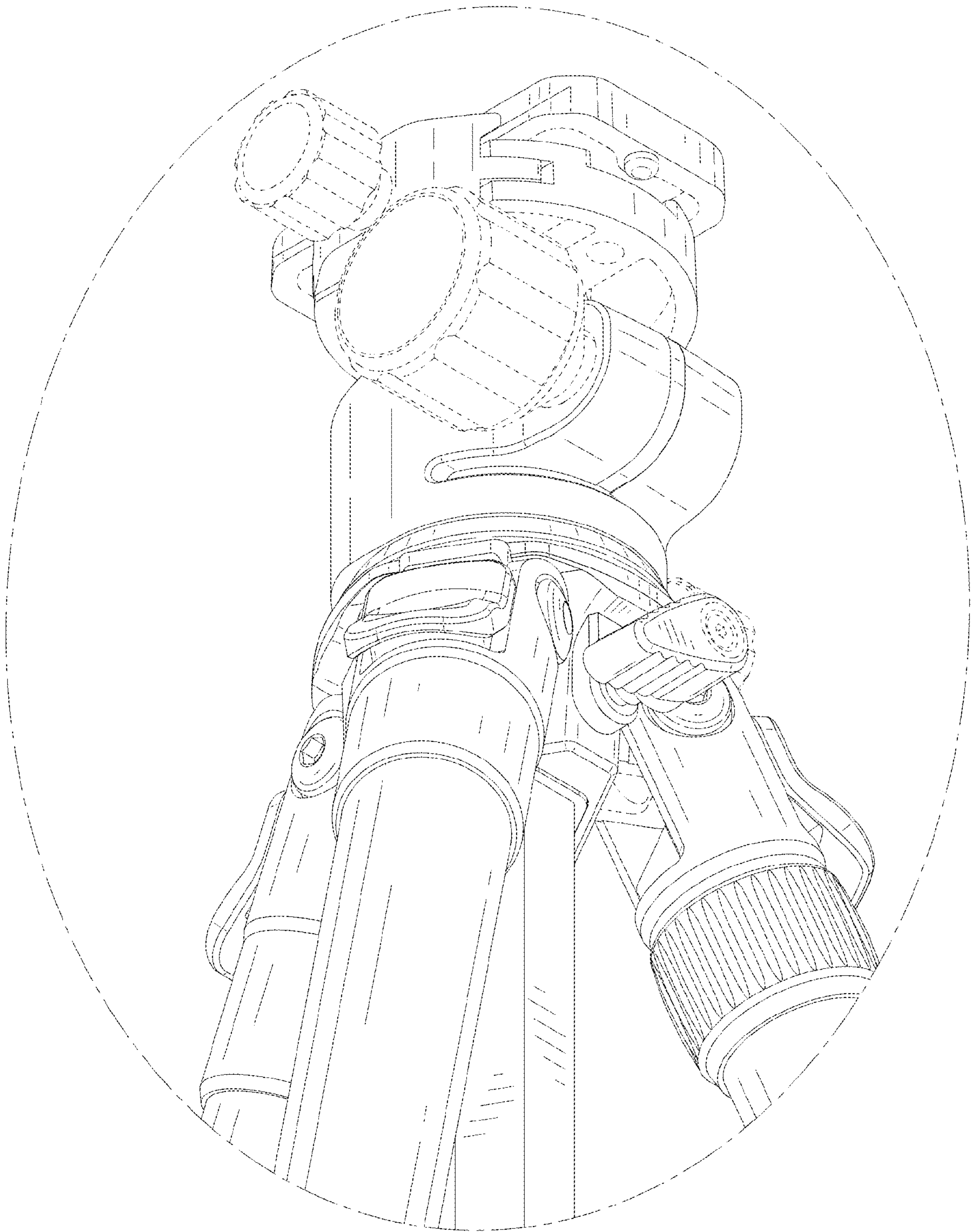


FIG. 12

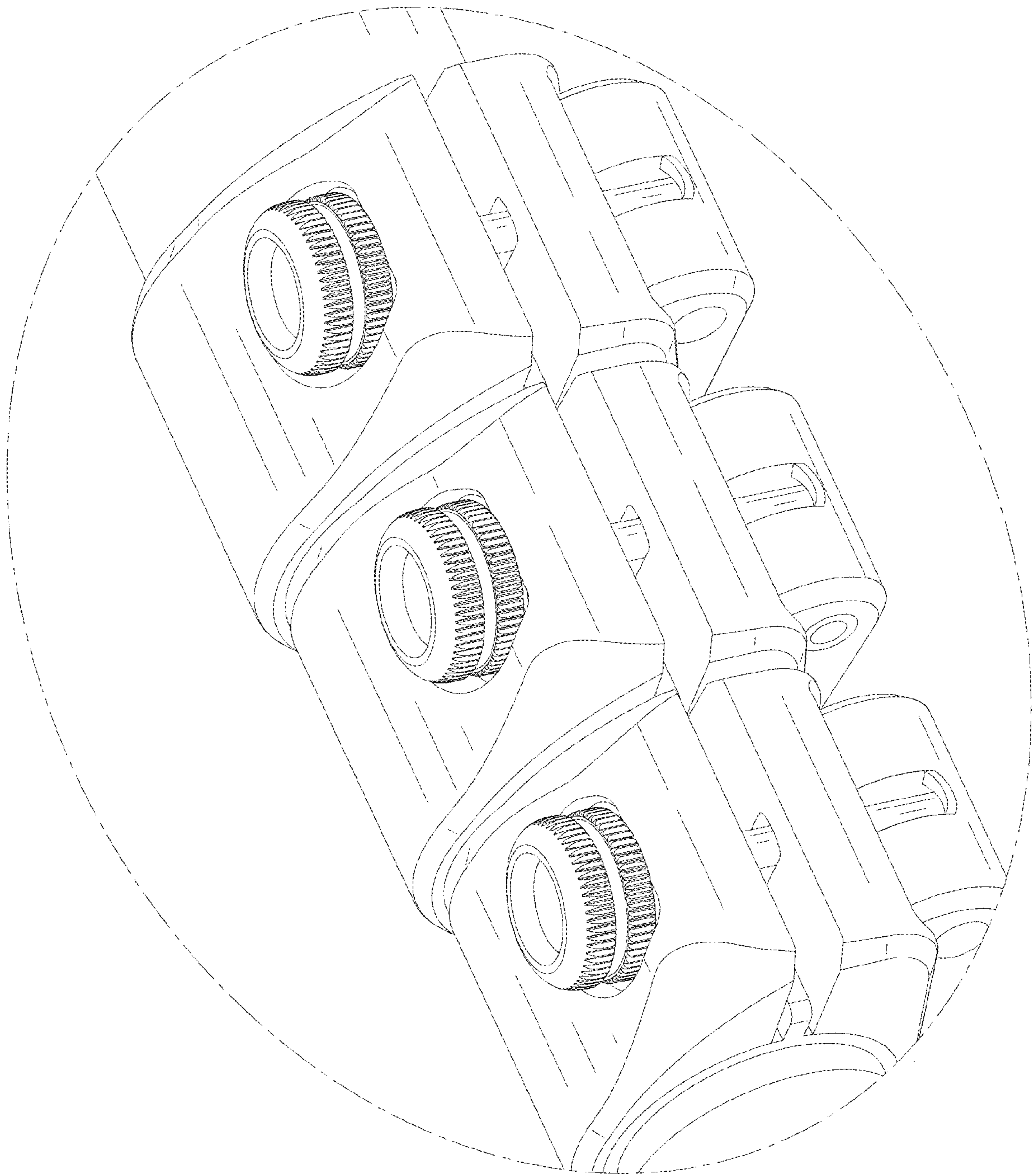


FIG. 13