



US00D985658S

(12) **United States Design Patent**  
**Yuan et al.**

(10) **Patent No.:** **US D985,658 S**  
(45) **Date of Patent:** **\*\* May 9, 2023**

(54) **CAMERA LENS**

FOREIGN PATENT DOCUMENTS

(71) Applicant: **Shenzhen Dongzheng Optical Technology Co., Ltd.**, Guangdong (CN)

JP D1712031 \* 4/2022  
WO WO-D223293-001 \* 9/2022

(72) Inventors: **Yonghui Yuan**, Guangdong (CN); **Qi Hong**, Guangdong (CN); **Songjian Yao**, Guangdong (CN); **Bin Zhang**, Guangdong (CN)

OTHER PUBLICATIONS

(\*\*) Term: **15 Years**

“Canon—EF 100-400mm f/4.5-5.6L IS II USM Telephoto Zoom Lens—White” from Bestbuy.com, first retrieved Jan. 23, 2023 from the internet <[https://www.bestbuy.com/site/canon-ef-100-400mm-f-4-5-5-6l-is-ii-usm-telephoto-zoom-lens-white/1368051.p?skuId=1368051&ref=212&loc=1&extStoreId=276&ref=212&loc=1&gclid=EA1a1QobChMljqKqvJve\\_AIV4YNbCh0hfQu8EAQYDiABEgJGqvD\\_BwE&gclid=aw.ds](https://www.bestbuy.com/site/canon-ef-100-400mm-f-4-5-5-6l-is-ii-usm-telephoto-zoom-lens-white/1368051.p?skuId=1368051&ref=212&loc=1&extStoreId=276&ref=212&loc=1&gclid=EA1a1QobChMljqKqvJve_AIV4YNbCh0hfQu8EAQYDiABEgJGqvD_BwE&gclid=aw.ds)> (Year: 2023).\*

(21) Appl. No.: **29/807,726**

(Continued)

(22) Filed: **Sep. 14, 2021**

*Primary Examiner* — Elizabeth J Oswecki  
*Assistant Examiner* — Lacey Chey Bowman

(51) **LOC (14) Cl.** ..... **16-01**

(52) **U.S. Cl.**  
USPC ..... **D16/219**

(58) **Field of Classification Search**  
USPC ..... D16/206, 211, 217, 218–219, 220;  
D10/46, 104.1, 114.6; D14/195, 228, 506  
CPC ..... G03B 7/20; G03B 13/00; G03B 13/06;  
G03B 17/00; G03B 17/56; G03B 2217/00  
See application file for complete search history.

(57) **CLAIM**

The ornamental design for a camera lens, as shown and described.

**DESCRIPTION**

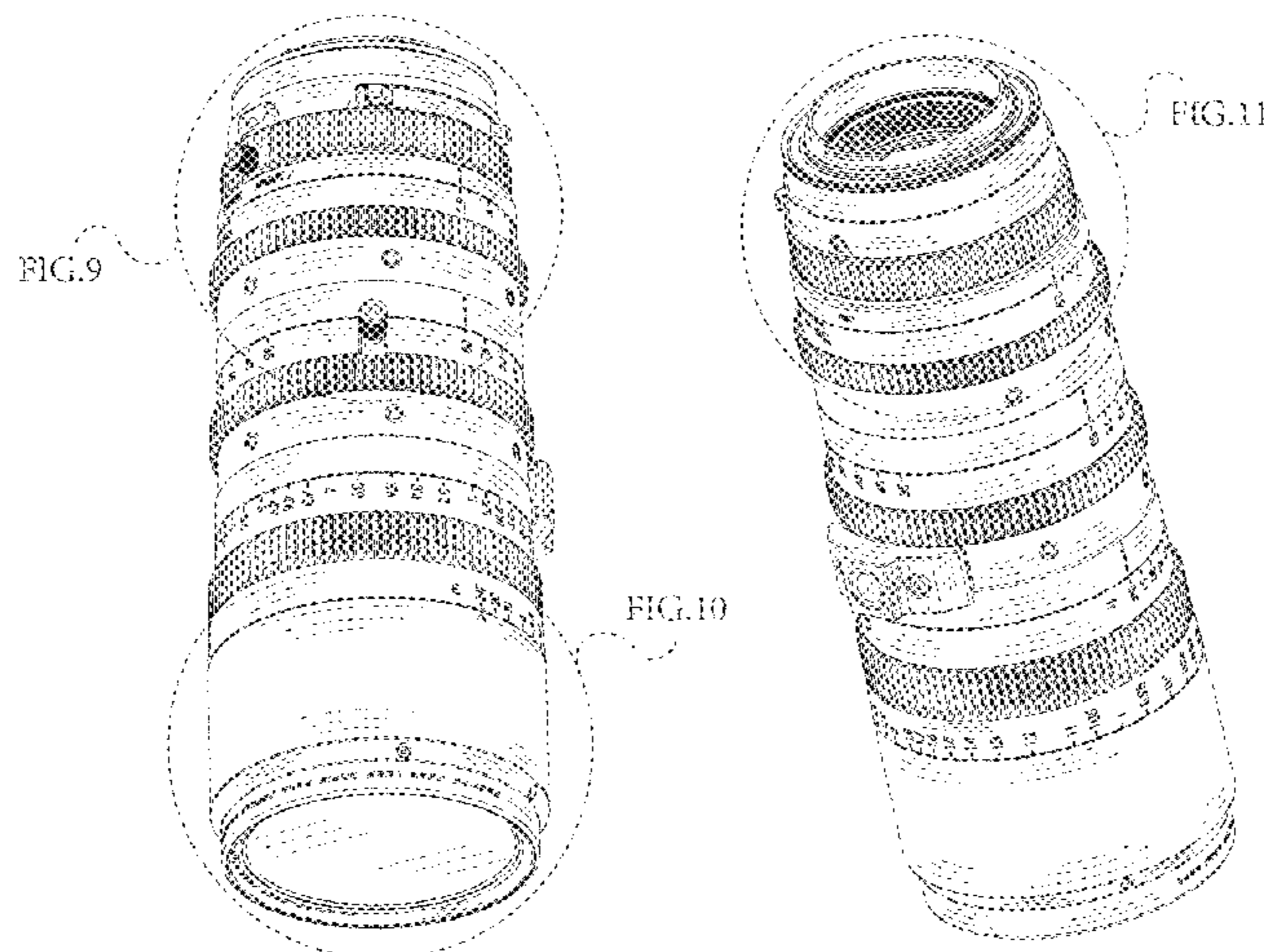
(56) **References Cited**

U.S. PATENT DOCUMENTS

4,440,484	A	*	4/1984	Komoto	.....	G03B 17/14
						396/281
D871,487	S	*	12/2019	Sakai	.....	D16/219
D879,180	S	*	3/2020	Hoshi	.....	D16/219
D881,976	S	*	4/2020	Igarashi	.....	D16/219
D886,179	S	*	6/2020	Möller	.....	D16/219
D886,888	S	*	6/2020	Möller	.....	D16/219
D915,491	S	*	4/2021	Isozaki	.....	D16/219
D918,285	S	*	5/2021	Nagaoka	.....	D16/219
D937,926	S	*	12/2021	Nagaoka	.....	D16/219
D949,946	S	*	4/2022	Sakai	.....	D16/219
D955,462	S	*	6/2022	Sakai	.....	D16/219
2010/0166403	A1	*	7/2010	Neil	.....	G03B 17/14
						359/676

FIG. 1 is a rear perspective view of a camera lens showing our new design.  
FIG. 2 is a front perspective view of the camera lens.  
FIG. 3 is a front view of the camera lens.  
FIG. 4 is a rear view of the camera lens.  
FIG. 5 is a left side view of the camera lens.  
FIG. 6 is a right side view of the camera lens.  
FIG. 7 is a top view of the camera lens.  
FIG. 8 is a bottom view of the camera lens.  
FIG. 9 is an enlarged portion view taken from encircled portion labeled, “FIG. 9,” in FIG. 1.  
FIG. 10 is an enlarged portion view taken from encircled portion labeled, “FIG. 10,” in FIG. 1; and,  
FIG. 11 is an enlarged portion view taken from encircled portion labeled, “FIG. 11,” in FIG. 2.

(Continued)



The broken lines in the figures show portions of the camera lens which form no part of the claimed design.

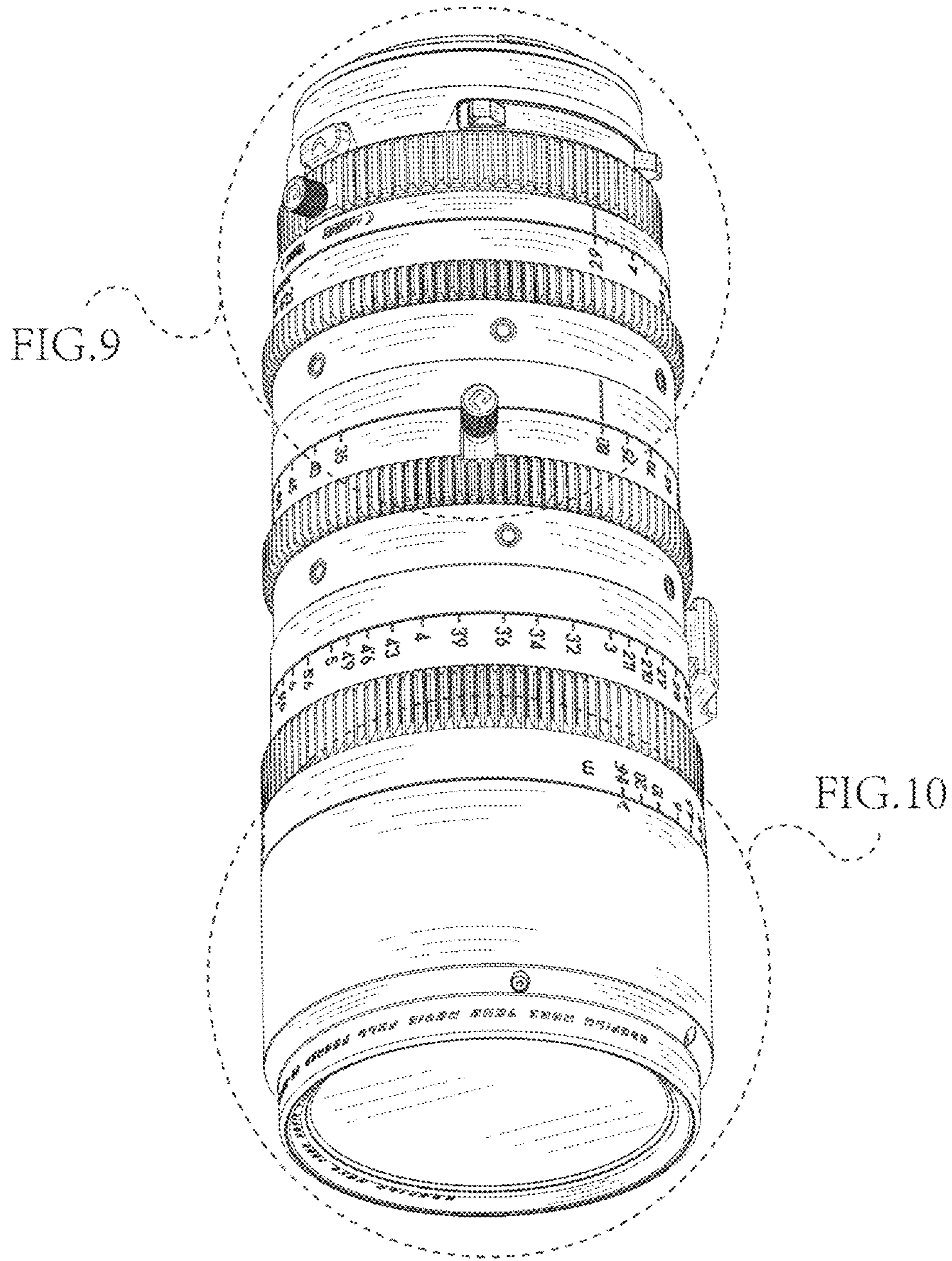
**1 Claim, 11 Drawing Sheets**

(56) **References Cited**

OTHER PUBLICATIONS

“Nikon—AF-S Nikkor 70-200mm f/2.8E FL ED VR Telephoto Zoom Lens for DSLR Cameras—Black” from Bestbuy.com, first retrieved Jan. 23, 2023 from the internet <[https://www.bestbuy.com/site/nikon-af-s-nikkor-70-200mm-f-2-8e-fl-ed-vr-telephoto-zoom-lens-for-dslr-cameras-black/5681600.p?skuId=5681600&ref=212&loc=1&ds\\_rl=1268655&gclid=EAIalQobChMlt6C9n5re\\_AIVEuDICh2bvufeEAQYFCABEgKLnvD\\_BwE&gclsrc=aw.ds](https://www.bestbuy.com/site/nikon-af-s-nikkor-70-200mm-f-2-8e-fl-ed-vr-telephoto-zoom-lens-for-dslr-cameras-black/5681600.p?skuId=5681600&ref=212&loc=1&ds_rl=1268655&gclid=EAIalQobChMlt6C9n5re_AIVEuDICh2bvufeEAQYFCABEgKLnvD_BwE&gclsrc=aw.ds)> (Year: 2023).\*

\* cited by examiner



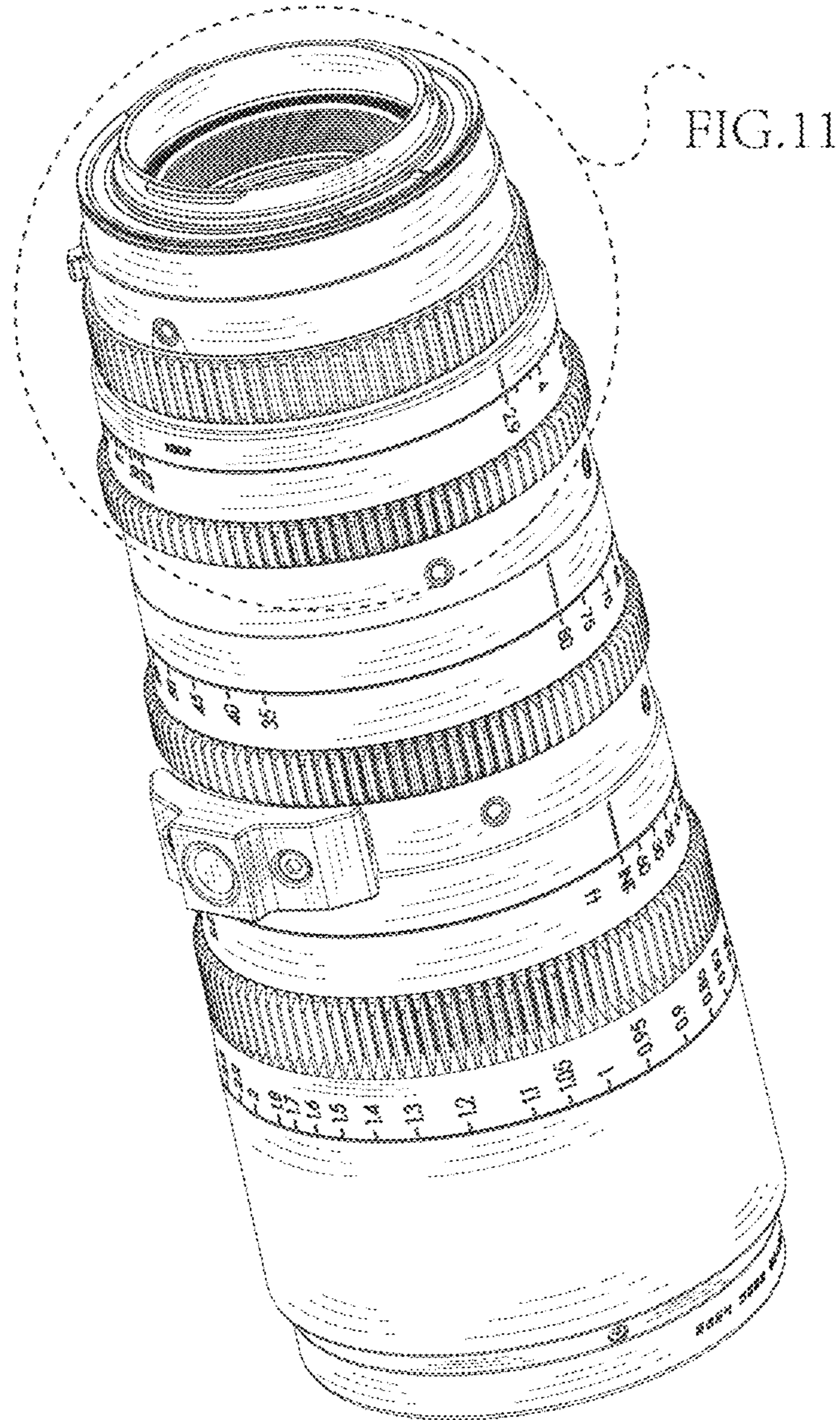


FIG.2

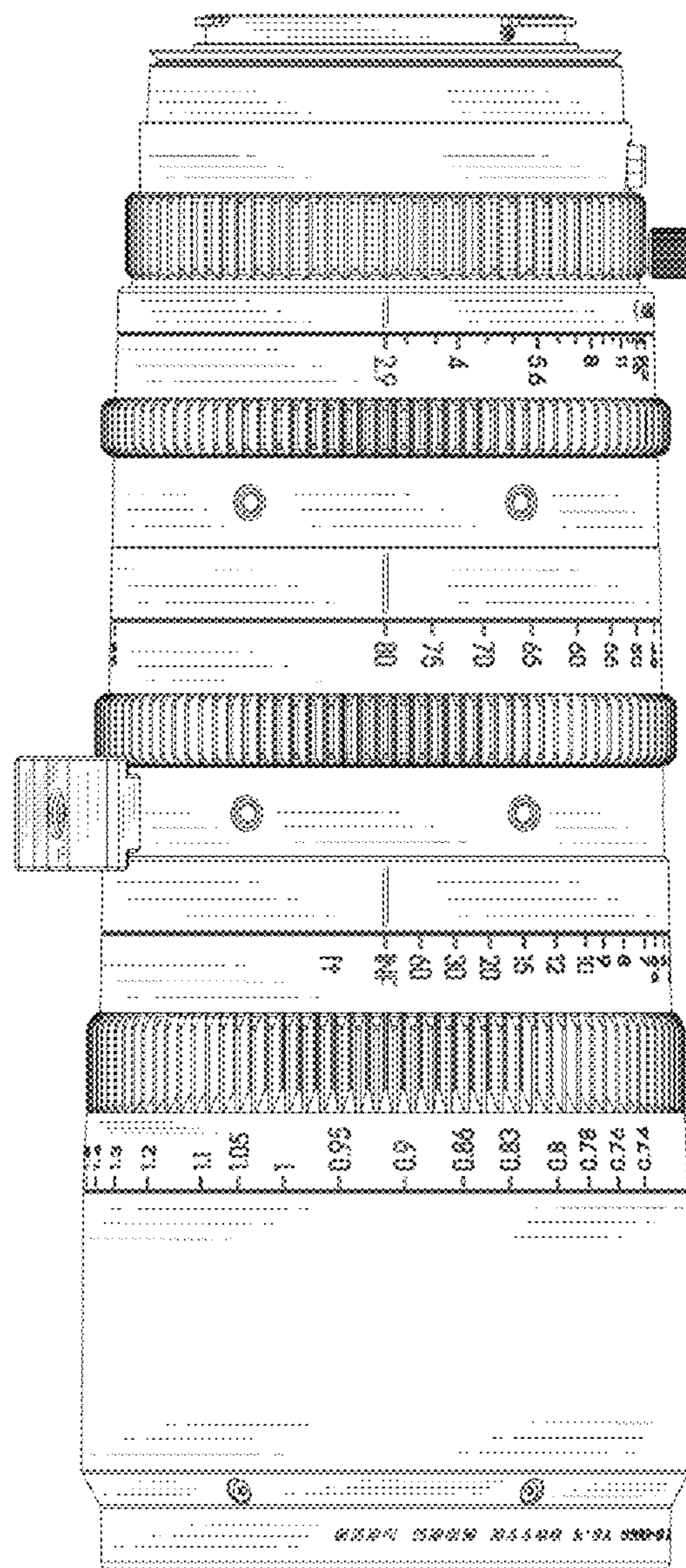


FIG.3

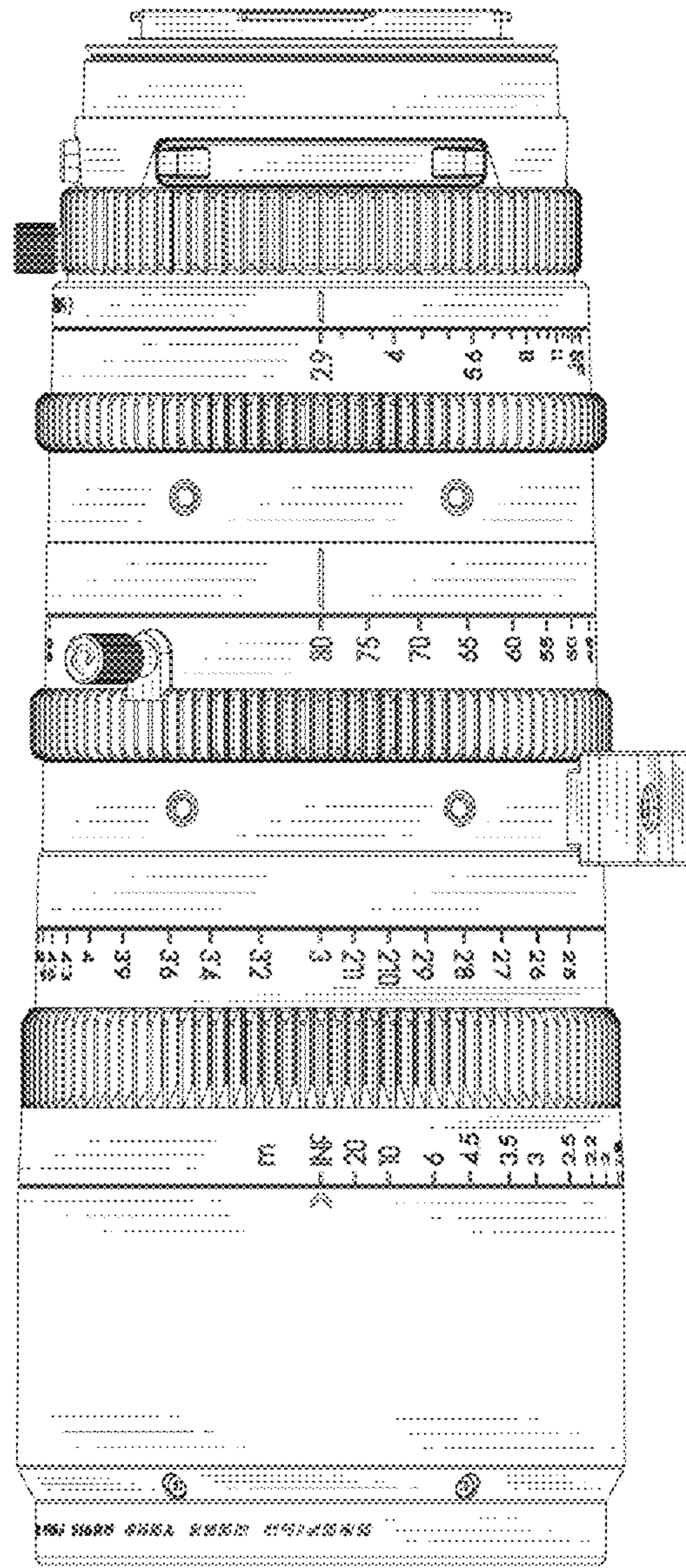


FIG.4

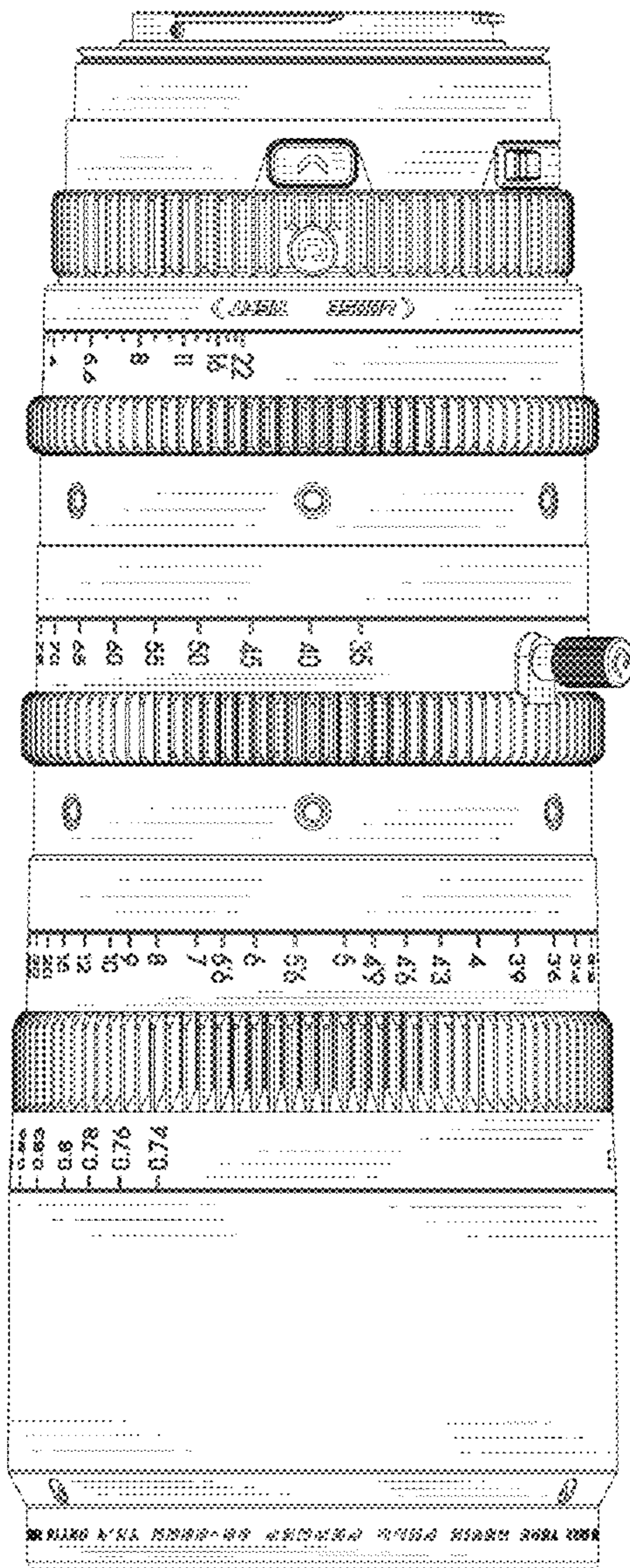


FIG.5

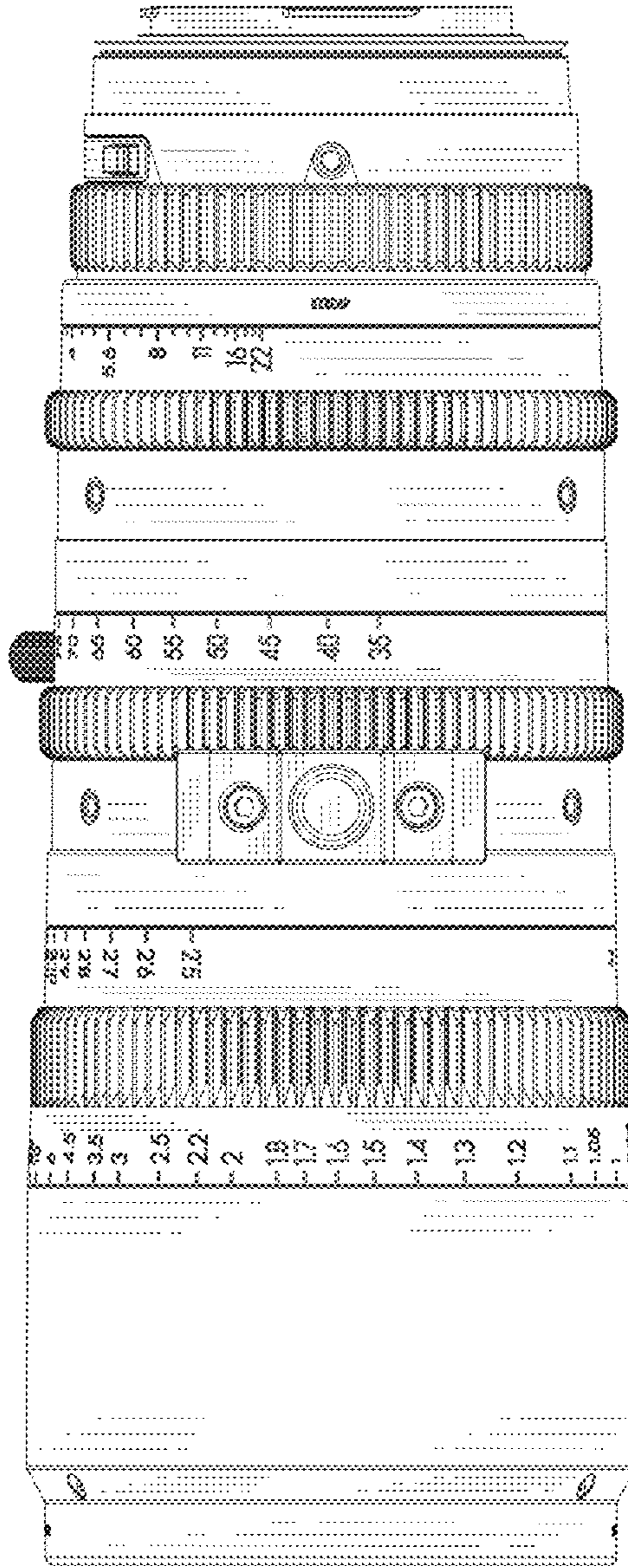


FIG. 6



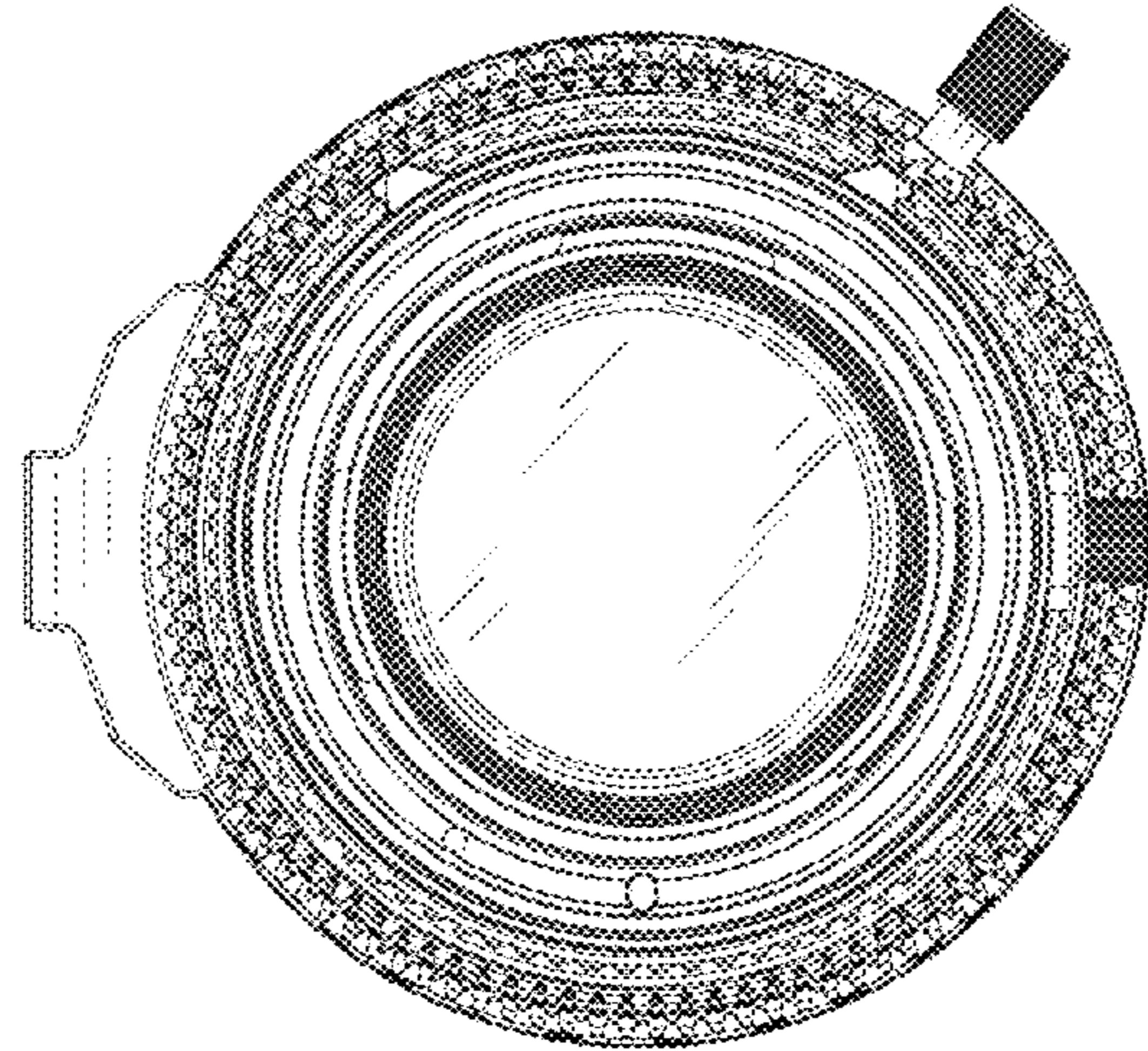


FIG. 7

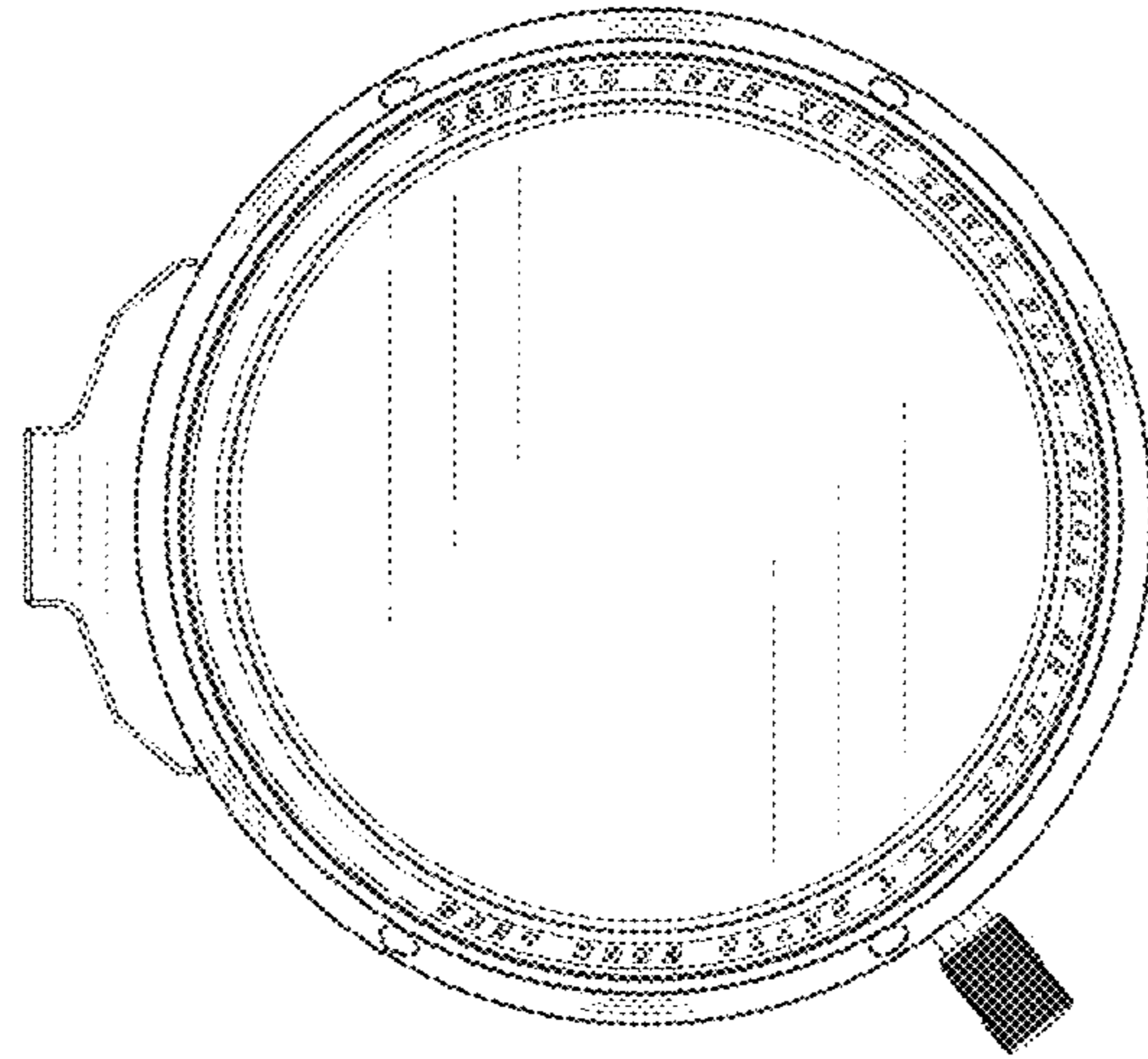


FIG. 8

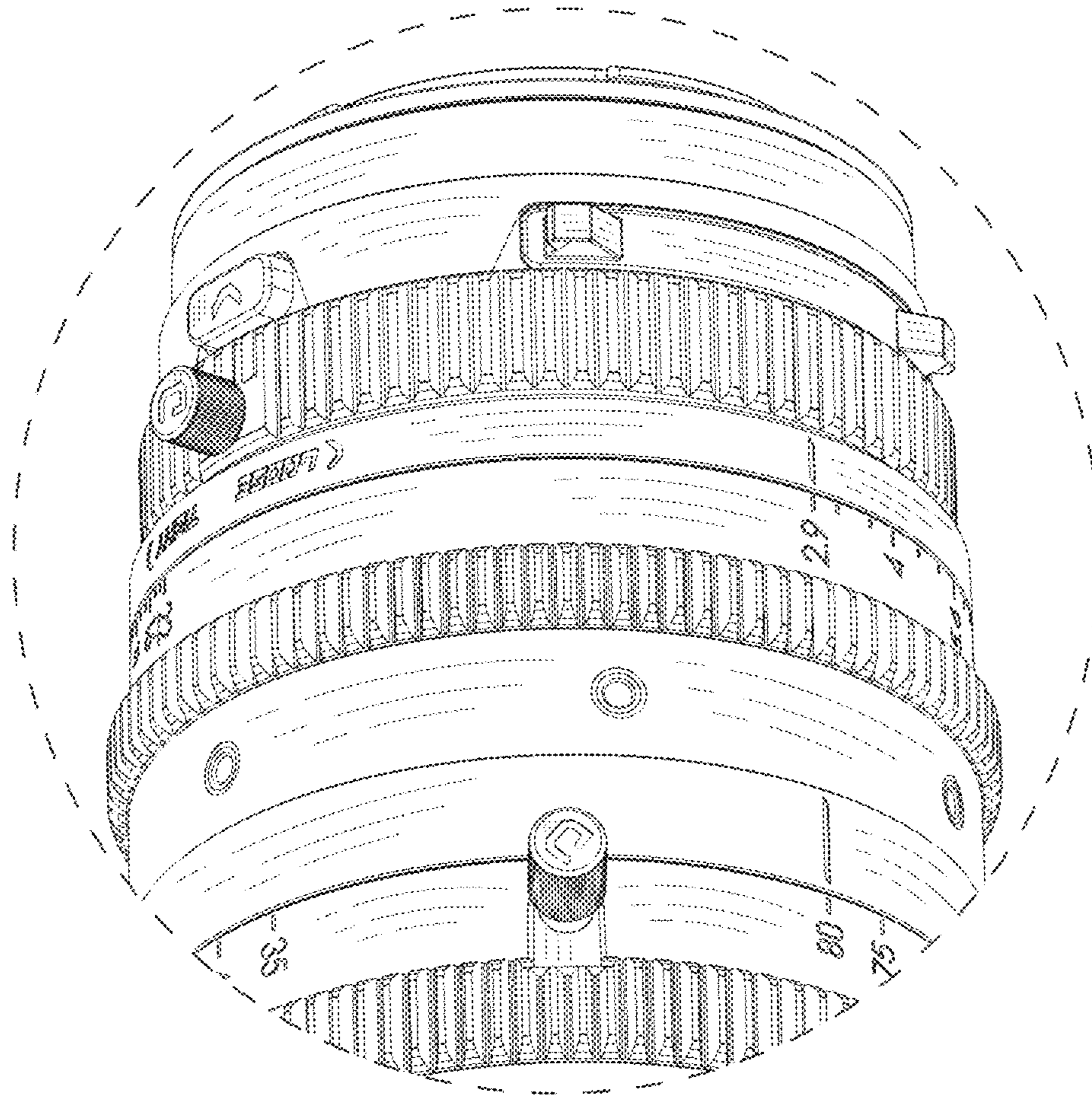


FIG. 9

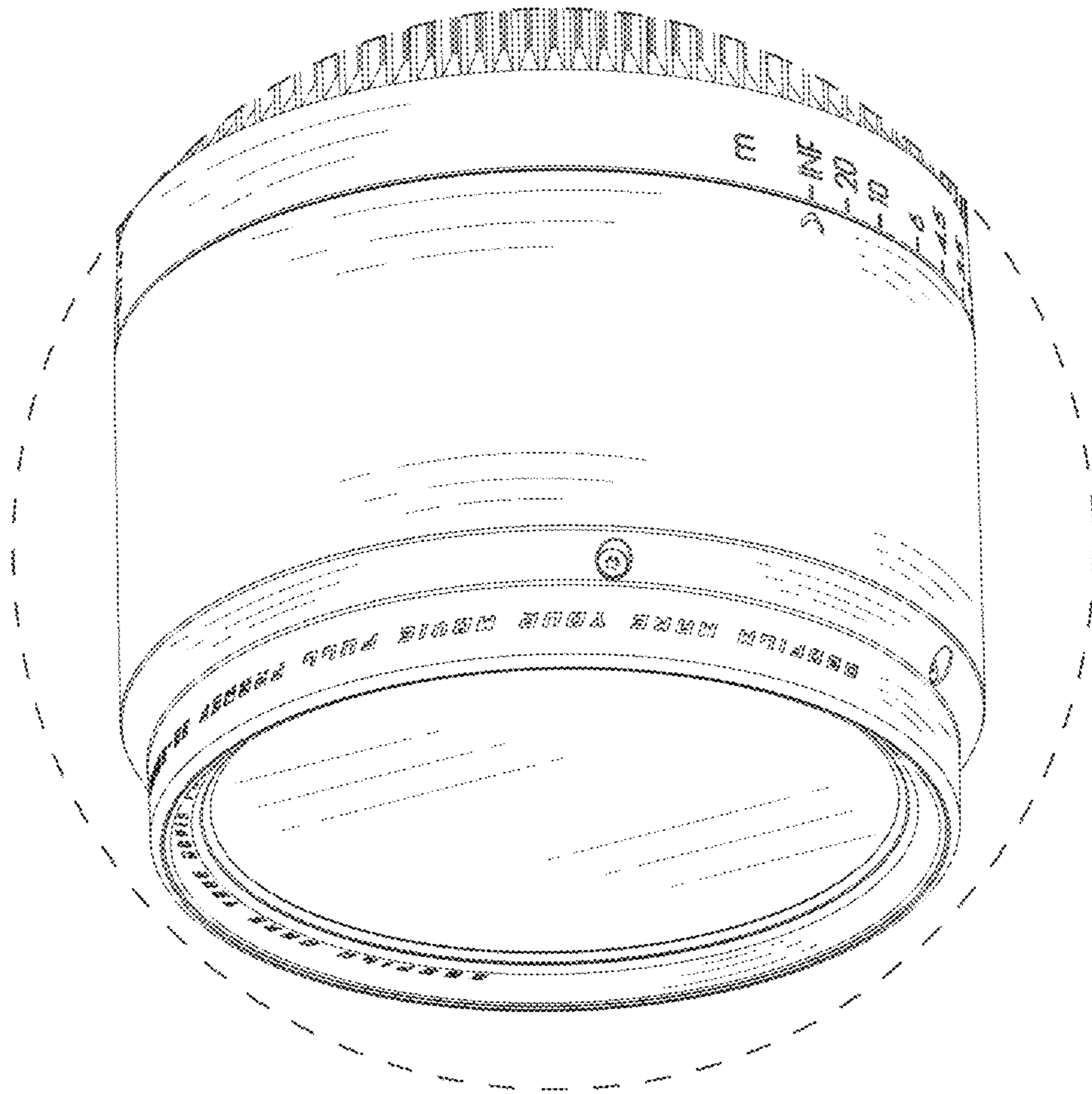


FIG. 10

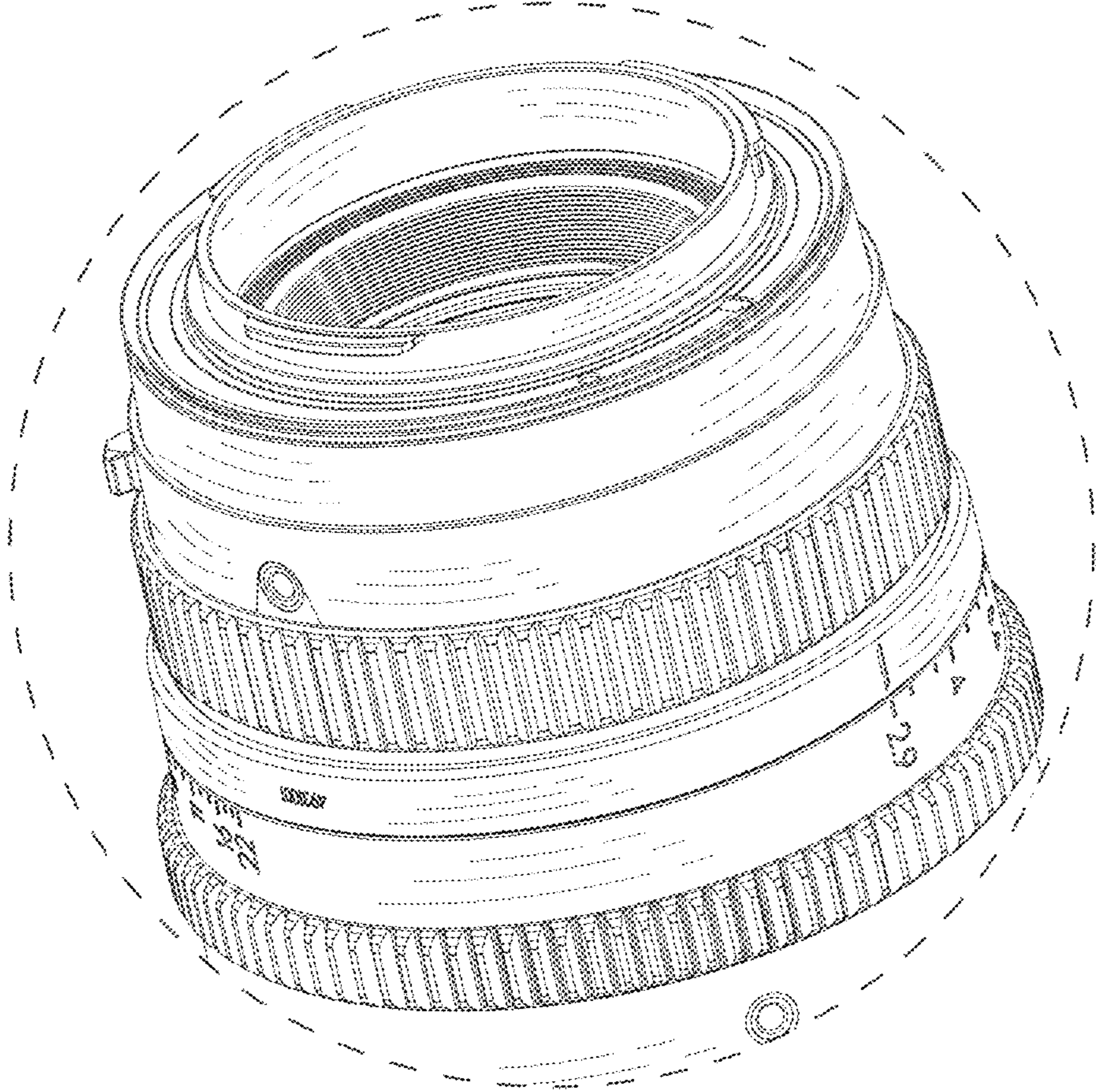


FIG. 11