



US00D985657S

(12) **United States Design Patent** (10) **Patent No.:** **US D985,657 S**  
**Kurita et al.** (45) **Date of Patent:** **\*\* May 9, 2023**

(54) **DIGITAL CAMERA**

FOREIGN PATENT DOCUMENTS

(71) Applicants: **Masahiro Kurita**, Tokyo (JP); **Shinji Noguchi**, Kanagawa (JP)

CN 305843979 \* 6/2020  
CN 307417862 \* 6/2022

(Continued)

(72) Inventors: **Masahiro Kurita**, Tokyo (JP); **Shinji Noguchi**, Kanagawa (JP)

OTHER PUBLICATIONS

(73) Assignee: **Ricoh Company, Ltd.**, Tokyo (JP)

Mouser Luxonis Oak D-Pro Perception Camera, earliest pictured date unavailable, [Online], [site visited Feb. 22, 2023]. Available via Internet, <URL:https://www.mouser.com/new/luxonis/luxonis-robotic-perception-cameras/> (Year: 2023).\*

(\*\*) Term: **15 Years**

(Continued)

(21) Appl. No.: **29/773,532**

(22) Filed: **Mar. 10, 2021**

*Primary Examiner* — Sanjeev Paul

*Assistant Examiner* — Breana Copeland

(30) **Foreign Application Priority Data**

(74) *Attorney, Agent, or Firm* — IPUSA, PLLC

Nov. 27, 2020 (JP) ..... 2020-025658 D

(51) **LOC (14) Cl.** ..... **16-01**

(57) **CLAIM**

(52) **U.S. Cl.**

The ornamental design for a digital camera, as shown and described.

USPC ..... **D16/219**

(58) **Field of Classification Search**

USPC ..... D10/121; D14/125, 204; D16/200, 202, D16/219; D21/514

CPC .. H04N 23/51; G03B 17/02; G03B 2217/002; G03B 17/08

**DESCRIPTION**

See application file for complete search history.

FIG. 1 is a perspective view of a digital camera, showing our new design;

FIG. 2 is a front view thereof;

FIG. 3 is a rear view thereof;

FIG. 4 is a top plan view thereof;

FIG. 5 is a bottom plan view thereof;

FIG. 6 is a left side view thereof; and,

FIG. 7 is a right side view thereof.

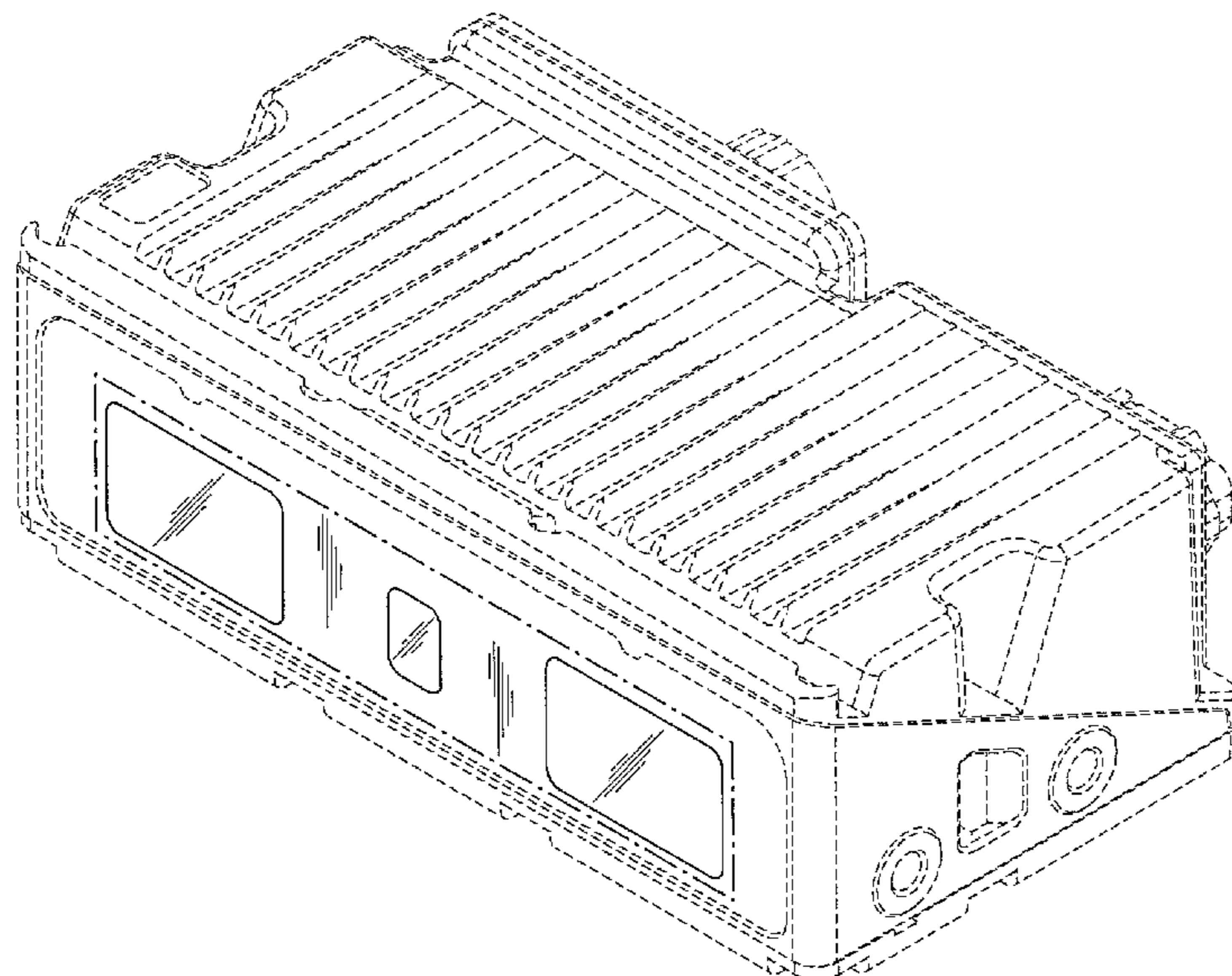
The evenly spaced broken lines shown in the drawings are for the purpose of illustrating portions of the digital camera that form no part of the claimed design. The dot-dash broken lines in the drawings show an unclaimed boundary of the claimed design.

(56) **References Cited**

U.S. PATENT DOCUMENTS

|            |   |         |           |       |         |
|------------|---|---------|-----------|-------|---------|
| D228,808 S | * | 10/1973 | Swayze    | ..... | D16/213 |
| D237,831 S | * | 11/1975 | Winkler   | ..... | D16/209 |
| D237,832 S | * | 11/1975 | Winkler   | ..... | D16/209 |
| D685,015 S | * | 6/2013  | Wang      | ..... | D16/202 |
| D702,277 S | * | 4/2014  | Woodman   | ..... | D16/218 |
| D795,940 S | * | 8/2017  | Huang     | ..... | D16/203 |
| D852,253 S | * | 6/2019  | Lee       | ..... | D16/208 |
| D908,154 S | * | 1/2021  | Nishimura | ..... | D16/200 |
| D936,130 S | * | 11/2021 | Eastwood  | ..... | D16/218 |
| D940,778 S | * | 1/2022  | Tiersen   | ..... | D16/203 |
| D977,557 S | * | 2/2023  | Wang      | ..... | D16/237 |

**1 Claim, 4 Drawing Sheets**



(56)

**References Cited**

## FOREIGN PATENT DOCUMENTS

|    |               |   |        |
|----|---------------|---|--------|
| JP | D1693775      | * | 8/2021 |
| KR | 3011125770001 | * | 6/2021 |

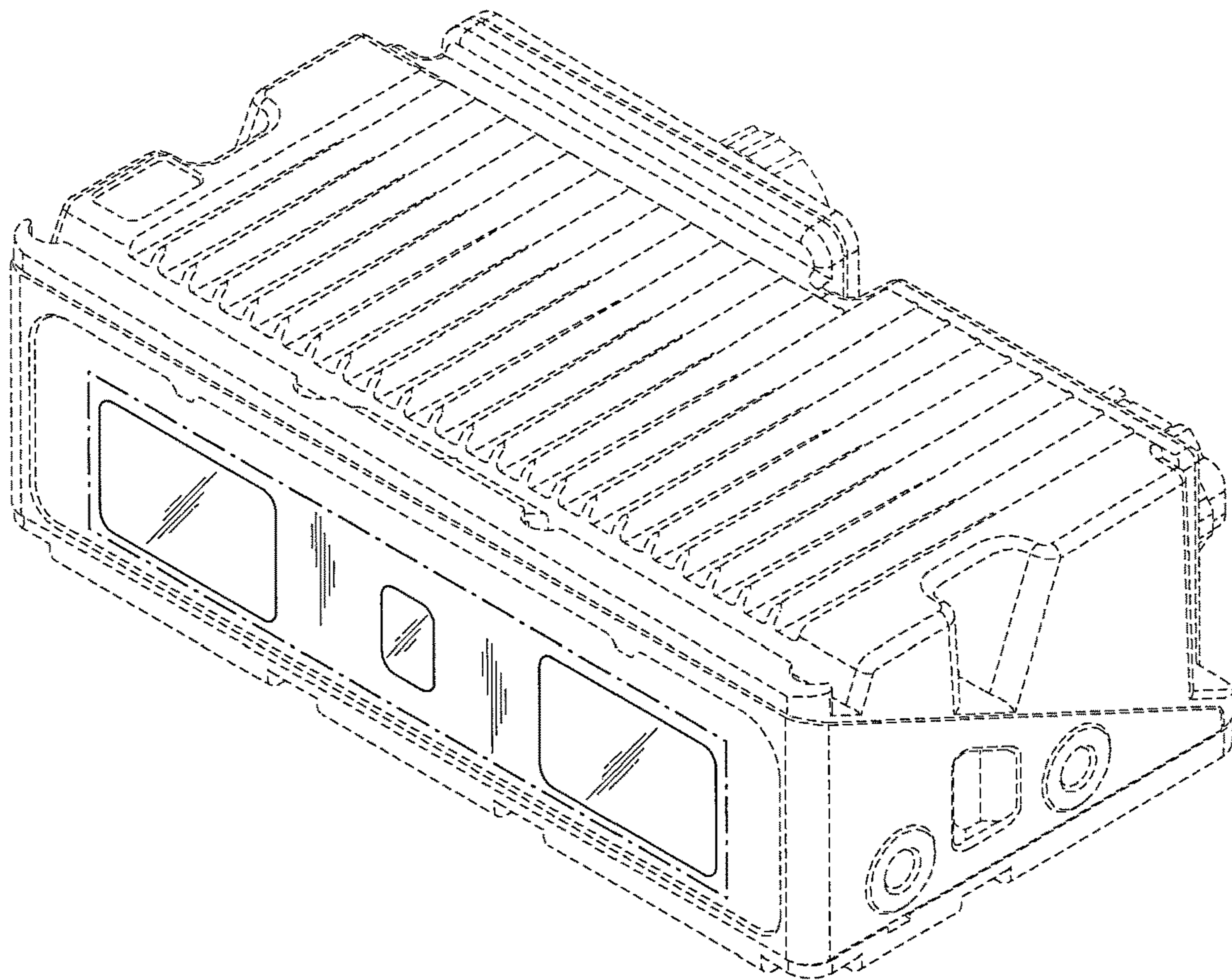
## OTHER PUBLICATIONS

Intel Real Sense Depth Camera D435, earliest pictured Nov. 4, 2019, [online], [site visited Feb. 22, 2023]. Available via Internet, <URL: <https://www.intelrealsense.com/depth-camera-d435/>> (Year: 2019).\*

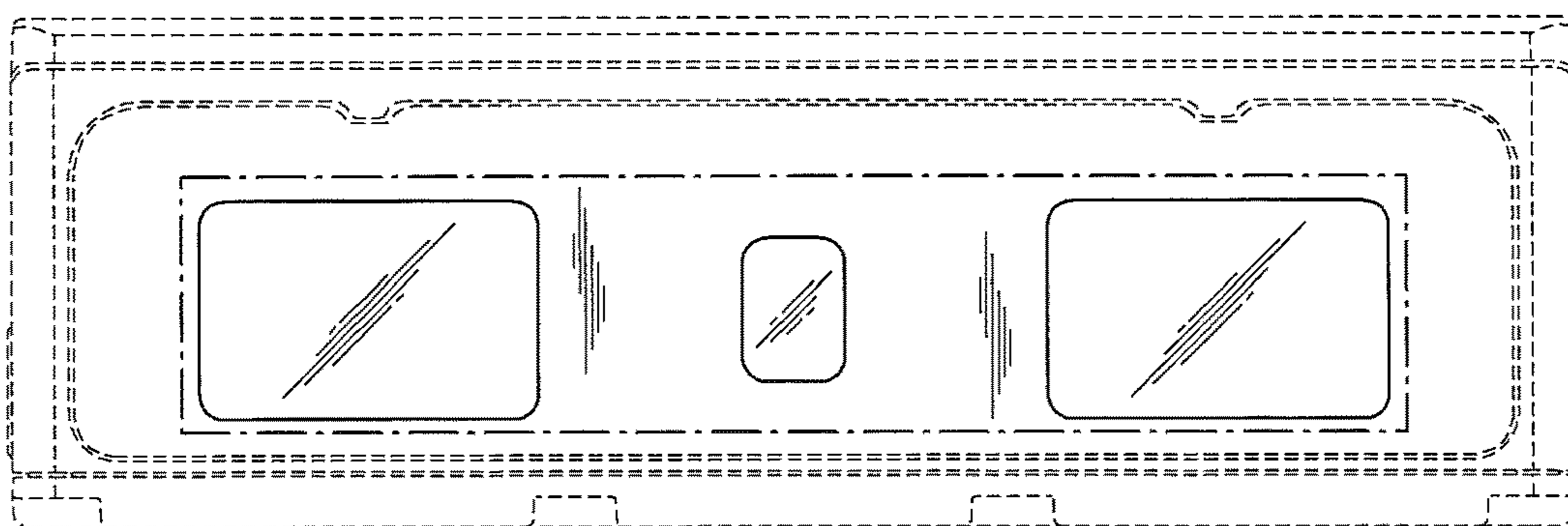
RobotShop Luxonis Oak D Lite Camera, earliest pictured date unavailable, [online], [site visited Feb. 22, 2023]. Available via Internet, <URL: <https://www.robotshop.com/products/luxonis-oak-d-lite-camera-auto-focus>> (Year: 2023).\*

Google Search, [online], [site visited Feb. 22, 2023]. Available via Internet, URL: [https://www.google.com/search?q=ROS+binocular+3d+stereo+camera&tbm=isch&ved=2ahUKEwidnZmox6n9AhU1FFkFHU41CwoQ2-cCegQIABAA&oq=ROS+binocular+3d+stereo+camera&gs\\_lcp=CgNpbWcQA1DUaFjUaGCqcWgAcAB4AIABWIGB5gGSAQEzmAEAoAEBqgELZ3dzLXdpei1pbWfAAQE&scient=img&ei=3UP2Y926DbWo5NoPzuqsUA&bih=1174&biw=2133&rlz=1C1GCEA\\_enU](https://www.google.com/search?q=ROS+binocular+3d+stereo+camera&tbm=isch&ved=2ahUKEwidnZmox6n9AhU1FFkFHU41CwoQ2-cCegQIABAA&oq=ROS+binocular+3d+stereo+camera&gs_lcp=CgNpbWcQA1DUaFjUaGCqcWgAcAB4AIABWIGB5gGSAQEzmAEAoAEBqgELZ3dzLXdpei1pbWfAAQE&scient=img&ei=3UP2Y926DbWo5NoPzuqsUA&bih=1174&biw=2133&rlz=1C1GCEA_enU)> (Year: 2023).\*

\* cited by examiner

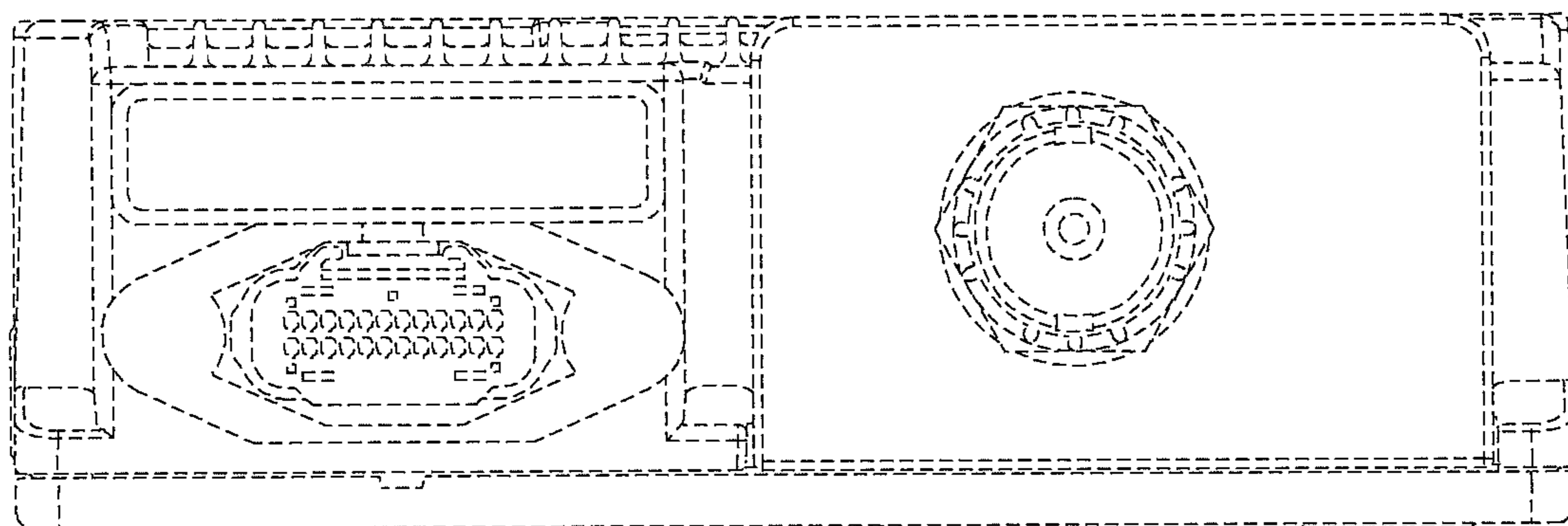


*Fig. 1*

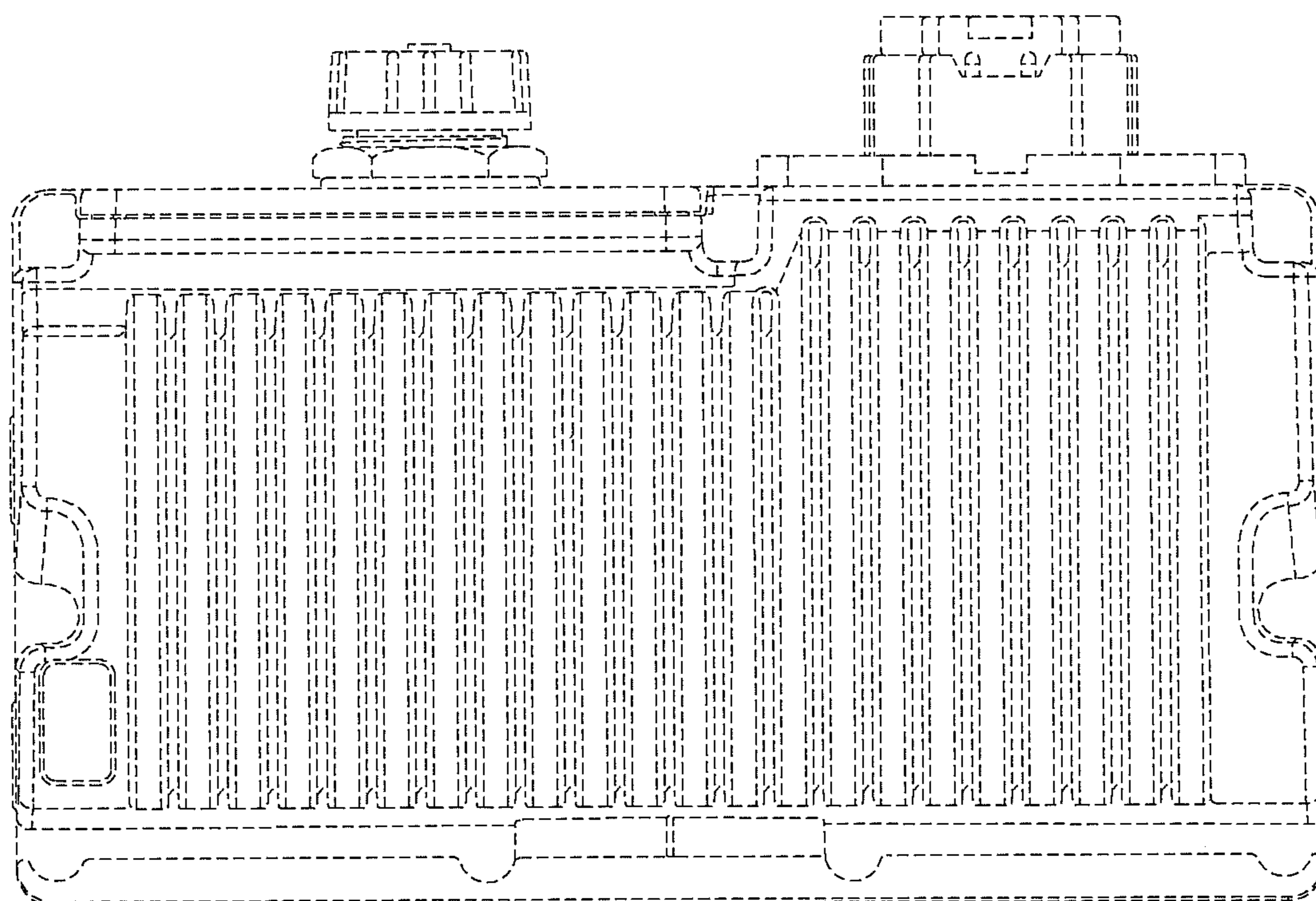


*Fig. 2*

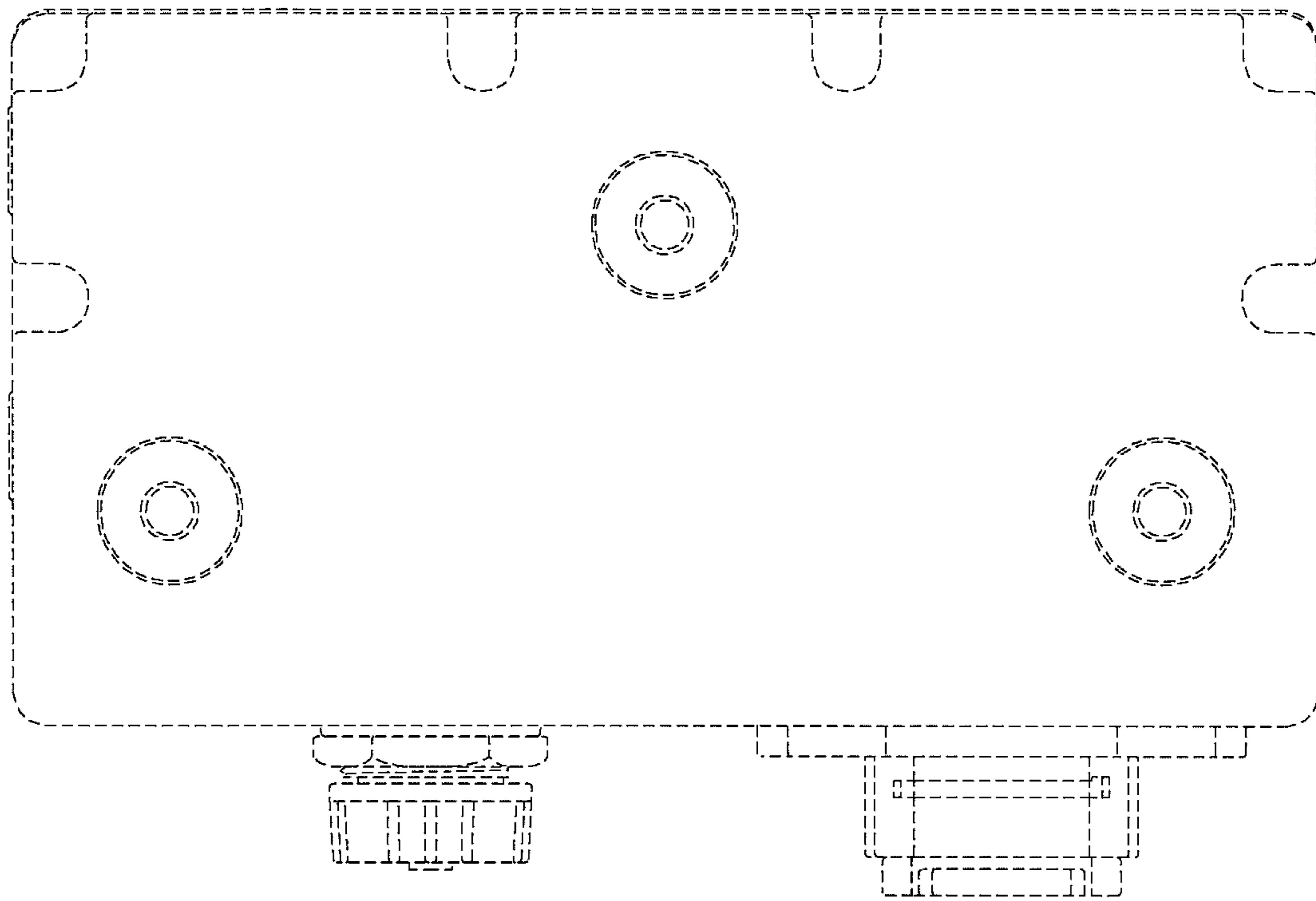




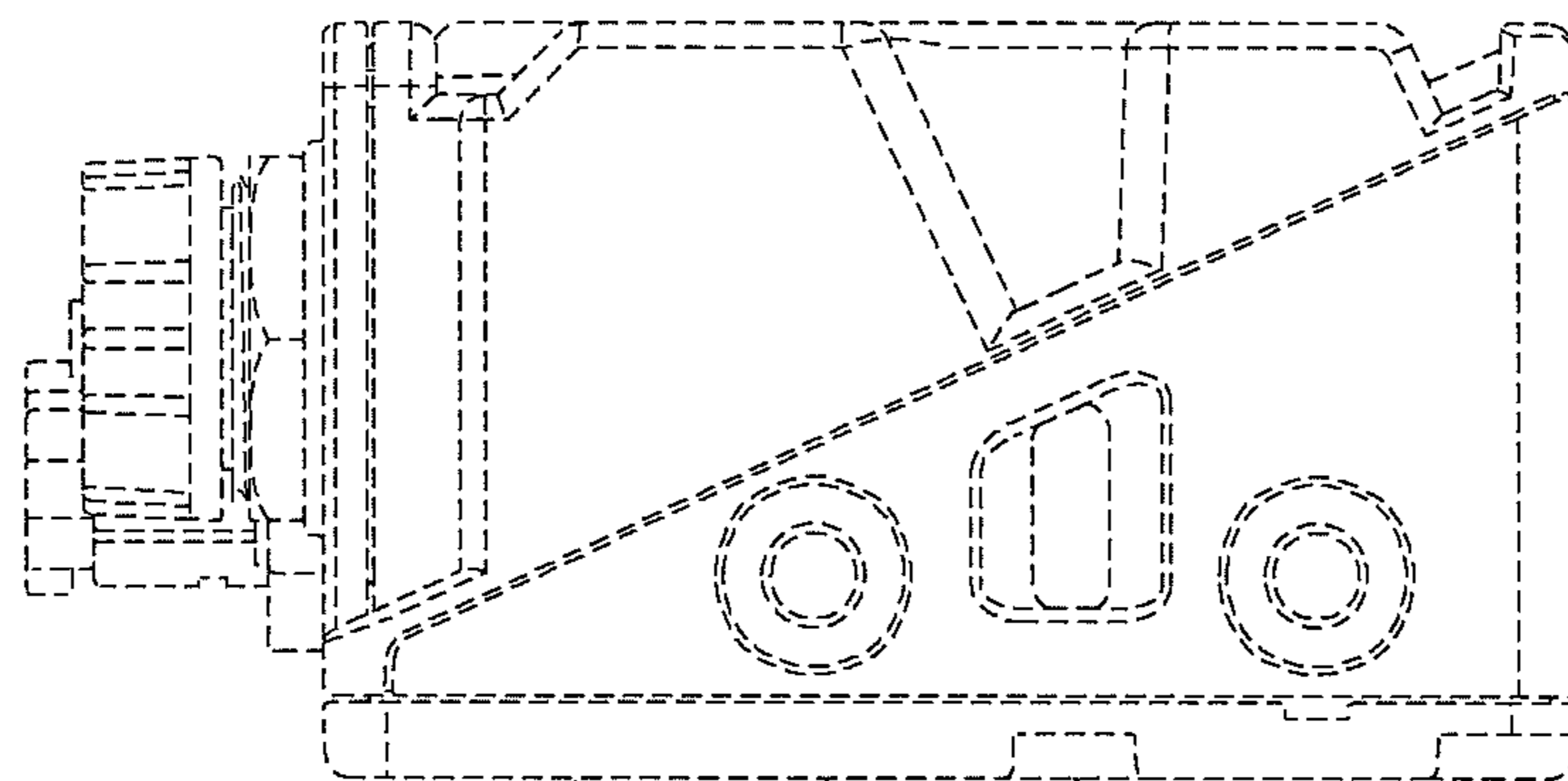
*Fig. 3*



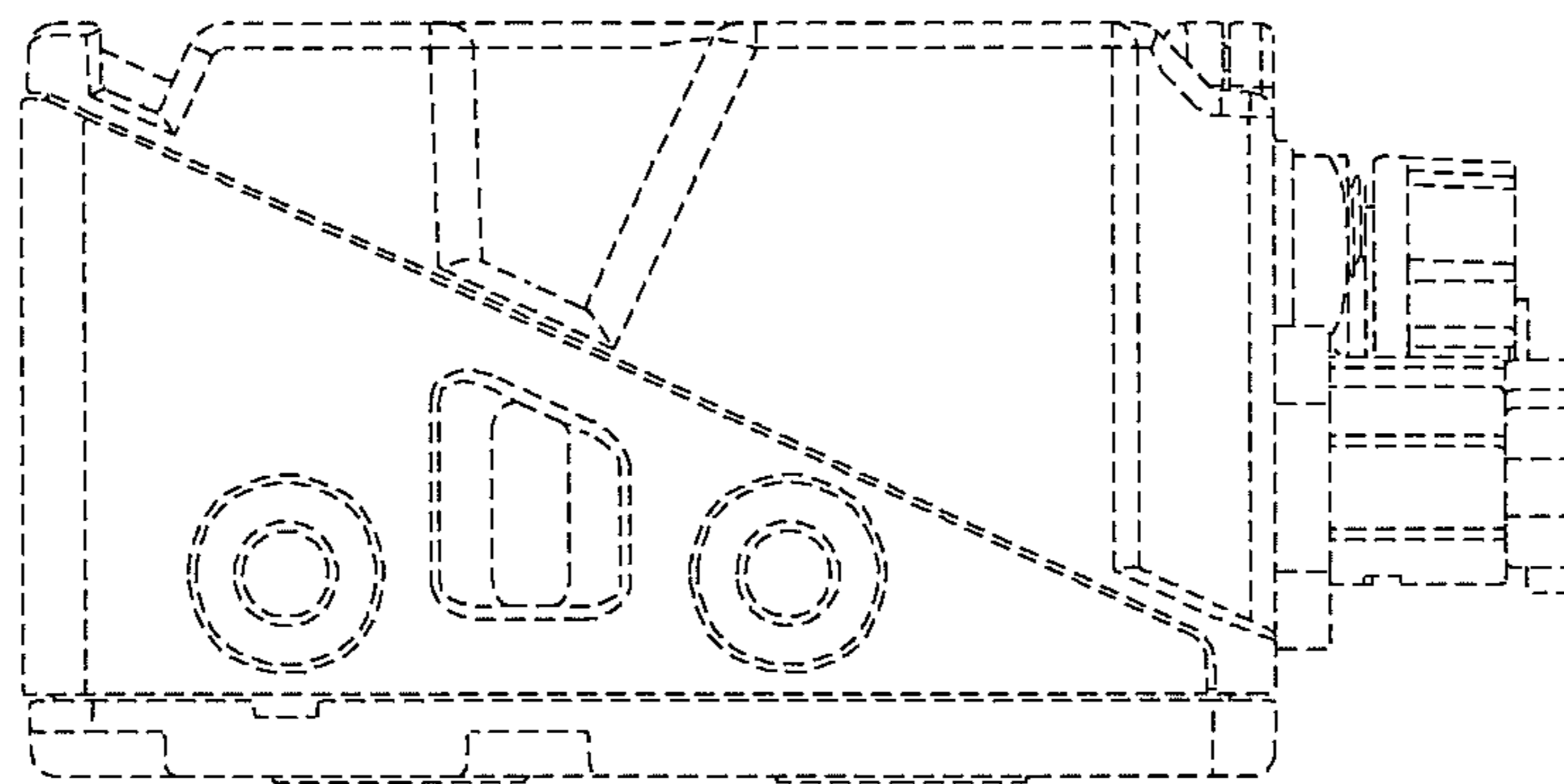
*Fig. 4*



*Fig. 5*



*Fig. 6*



*Fig. 7*