



US00D985655S

(12) **United States Design Patent**
Petty et al.

(10) **Patent No.:** **US D985,655 S**

(45) **Date of Patent:** **** May 9, 2023**

(54) **CAMERA**

(71) Applicant: **Blackmagic Design Pty Ltd**, Port Melbourne (AU)

(72) Inventors: **Grant David Petty**, Port Melbourne (AU); **Simon Milne Kidd**, Port Melbourne (AU); **Michael William John Cornish**, Port Melbourne (AU); **Stuart Damian Elford**, Port Melbourne (AU); **Ryan John Harper**, Port Melbourne (AU)

(73) Assignee: **Blackmagic Design Pty Ltd**, Port Melbourne (AU)

(**) Term: **15 Years**

(21) Appl. No.: **29/800,032**

(22) Filed: **Jul. 19, 2021**

(30) **Foreign Application Priority Data**

Jan. 19, 2021 (AU) 202110211

(51) **LOC (14) Cl.** **16-01**

(52) **U.S. Cl.**
USPC **D16/202; D16/217**

(58) **Field of Classification Search**
USPC D16/200, 202, 203, 205, 207–209, 214, D16/217, 218, 219; D14/125, 130, 140, D14/496, 172; D10/106.6
CPC G03B 17/00; G03B 17/02; G03B 2217/00; H04N 5/225; H04N 5/2251; H04N 5/2252

See application file for complete search history.

(56) **References Cited**

U.S. PATENT DOCUMENTS

D422,613 S 4/2000 Nagaoka
D471,222 S * 3/2003 Matsumura D16/217
D487,105 S 2/2004 Takahashi

D497,173 S 10/2004 Ogura
D497,174 S 10/2004 Omino et al.
D524,346 S 7/2006 Haga
D528,580 S 9/2006 Sumita
D542,321 S 5/2007 Takahashi
D557,308 S 12/2007 Matsuda
D558,809 S 1/2008 Nakamura
D558,812 S 1/2008 Takahashi

(Continued)

OTHER PUBLICATIONS

“Blackmagic Design Pocket Cinema Camera 6K Pro,” reviewed Mar. 8, 2021, retrieved Nov. 21, 2022 from https://www.bhphotovideo.com/c/product/1625642-REG/blackmagic_design_cinecampochdef6kp_pocket_cinema_camera_6k.html/reviews (Year: 2021).*

(Continued)

Primary Examiner — Maria J. Edwards

Assistant Examiner — Dina Michelle Hoeynck

(74) *Attorney, Agent, or Firm* — Saidman DesignLaw Group, LLC

(57) **CLAIM**

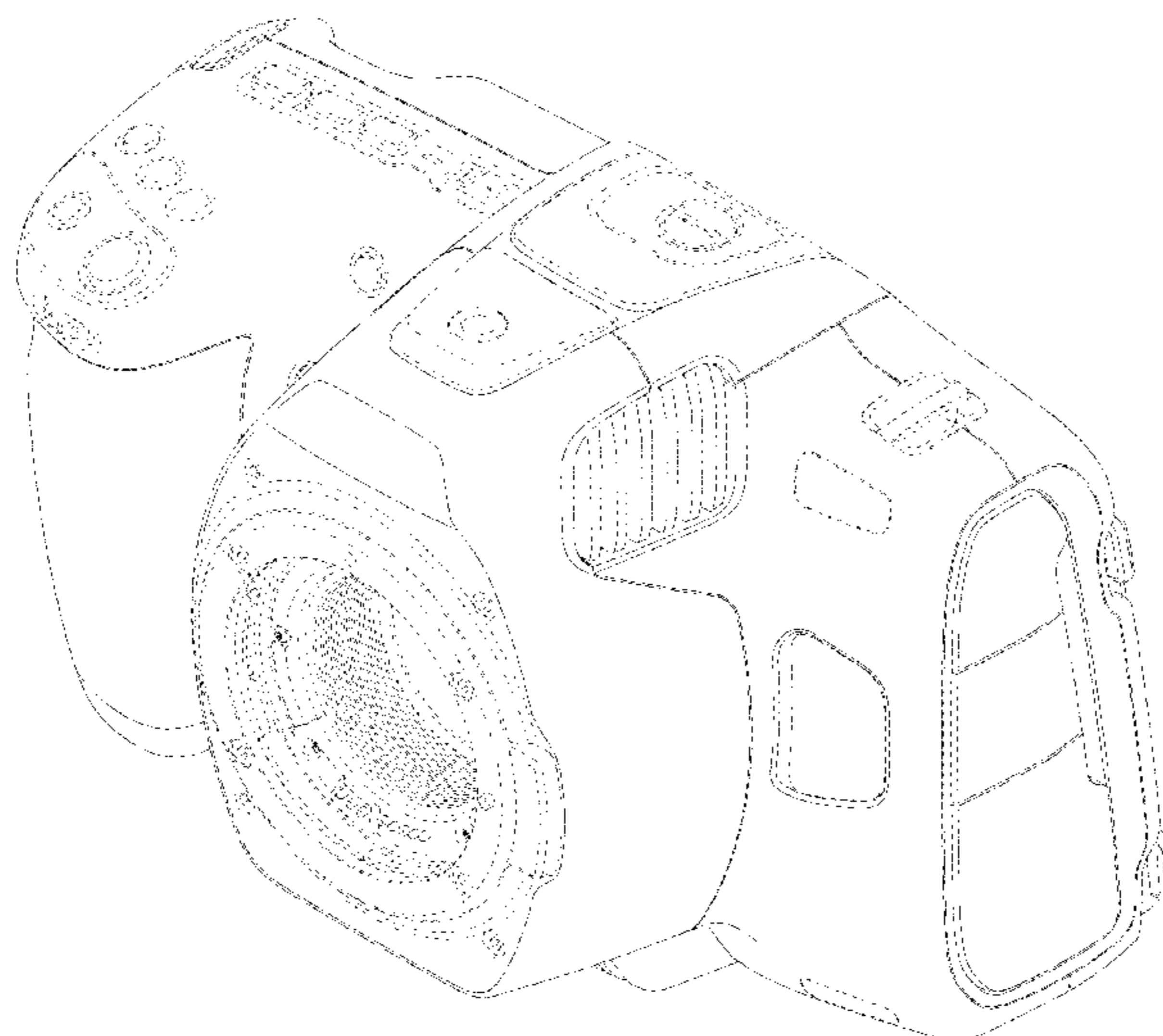
The ornamental design for a camera, as shown and described.

DESCRIPTION

FIG. 1 is a front perspective view of a camera showing our new design;
FIG. 2 is a rear perspective view thereof;
FIG. 3 is a front view thereof;
FIG. 4 is a rear view thereof;
FIG. 5 is a left side view thereof;
FIG. 6 is a right side view thereof;
FIG. 7 is a top view thereof; and,
FIG. 8 is a bottom view thereof.

The portions illustrated in dashed broken lines and the portions illustrated within dashed broken lines depict portions of the camera which form no part of the claimed design.

1 Claim, 8 Drawing Sheets



(56)

References Cited

U.S. PATENT DOCUMENTS

D559,291 S 1/2008 Hayashi
 D561,806 S 2/2008 Funakoshi et al.
 D564,560 S 3/2008 Funakoshi
 D564,561 S 3/2008 Takahashi
 D567,835 S 4/2008 Sumita
 D576,192 S 9/2008 Isozaki
 D594,892 S 6/2009 Kamiya et al.
 D595,755 S 7/2009 Funakoshi
 D604,349 S 11/2009 Miyashita
 D605,679 S 12/2009 Hayashi
 D607,481 S 1/2010 Takahashi
 D609,730 S 2/2010 Nakamura
 D611,976 S 3/2010 Kim et al.
 D639,325 S 6/2011 Yamauchi et al.
 D640,720 S 6/2011 Yoshii et al.
 D669,520 S * 10/2012 Asano D16/219
 D672,802 S 12/2012 Nojima et al.
 D690,755 S 10/2013 Nikaido
 D696,332 S * 12/2013 Yanagisawa D16/219
 D701,550 S 3/2014 Umehara
 D709,936 S 7/2014 Sakai
 D720,787 S 1/2015 Tainaka
 D723,607 S 3/2015 Noh
 D724,131 S 3/2015 Kim
 D726,797 S 4/2015 Ham et al.
 D732,099 S 6/2015 Nagaoka et al.
 D733,782 S 7/2015 Sakai et al.

D743,473 S 11/2015 Baba et al.
 D749,658 S * 2/2016 Watanabe D16/217
 D755,273 S 5/2016 Baba et al.
 D779,575 S 2/2017 Kobayashi
 D782,556 S * 3/2017 Kobayashi D16/202
 D789,434 S 6/2017 Abe et al.
 D795,325 S 8/2017 Germade
 D795,939 S * 8/2017 Hoshi D16/202
 D806,771 S 1/2018 Nikaido et al.
 D865,836 S 11/2019 Puusaari
 D870,185 S 12/2019 Nagaoka et al.
 D884,772 S * 5/2020 Sasaki D16/219
 D894,990 S * 9/2020 Petty D16/202
 D896,296 S * 9/2020 Imamizu D16/217
 D937,922 S * 12/2021 Petty D16/202
 D952,021 S * 5/2022 Tian D16/202
 2008/0074536 A1 3/2008 Tamura
 2016/0080618 A1 * 3/2016 Okutani G03B 17/14
 348/375
 2022/0109797 A1 * 4/2022 Shiozaki H04N 5/232933
 2022/0321770 A1 * 10/2022 Ogawa G03B 17/02

OTHER PUBLICATIONS

Blackmagic Design Announces New Blackmagic Pocket Cinema Camera 6K, posted Aug. 8, 2019. Available from Internet, <<https://www.blackmagicdesign.com/media/release/20190808-01>>.

* cited by examiner

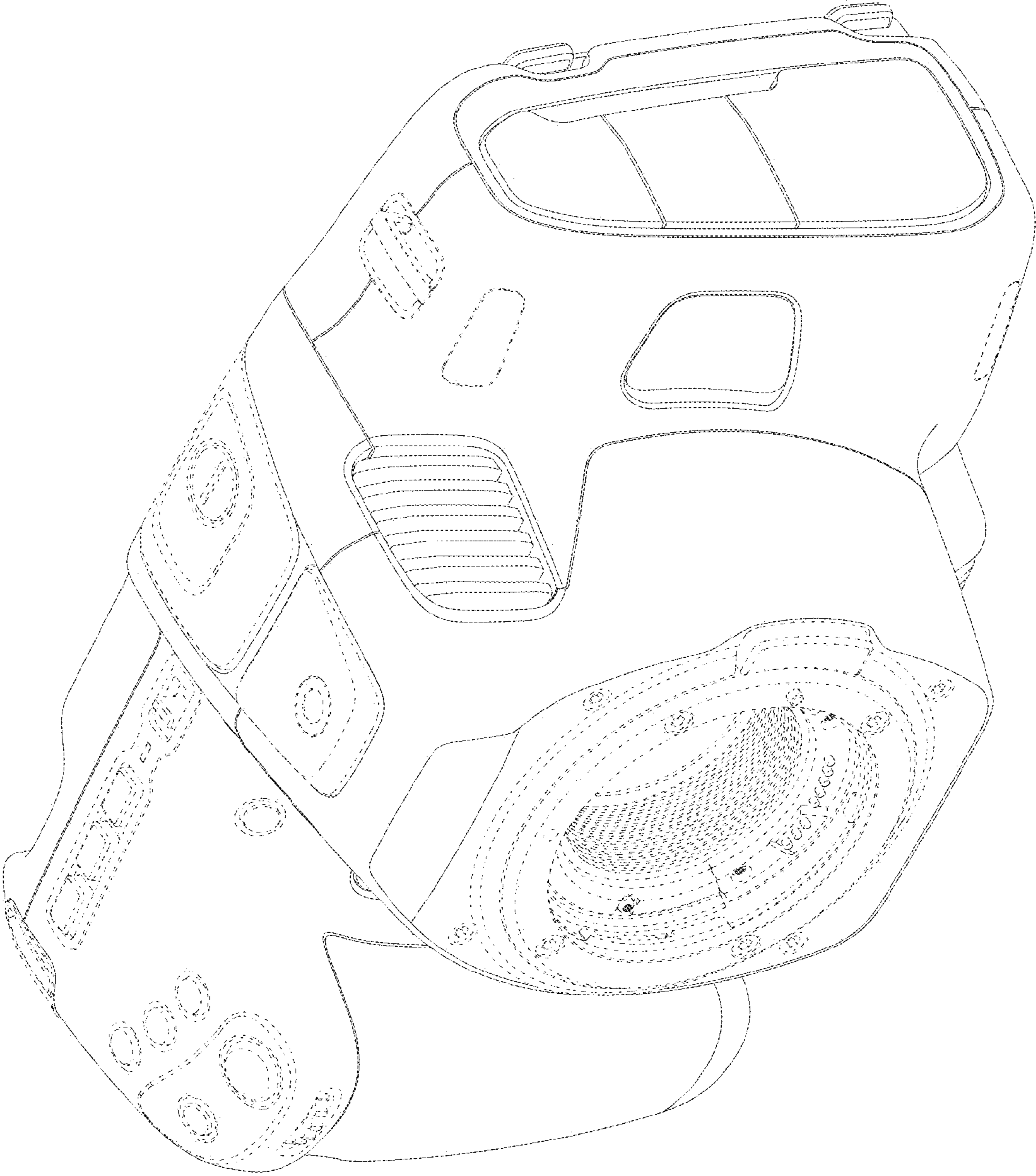


FIG. 1

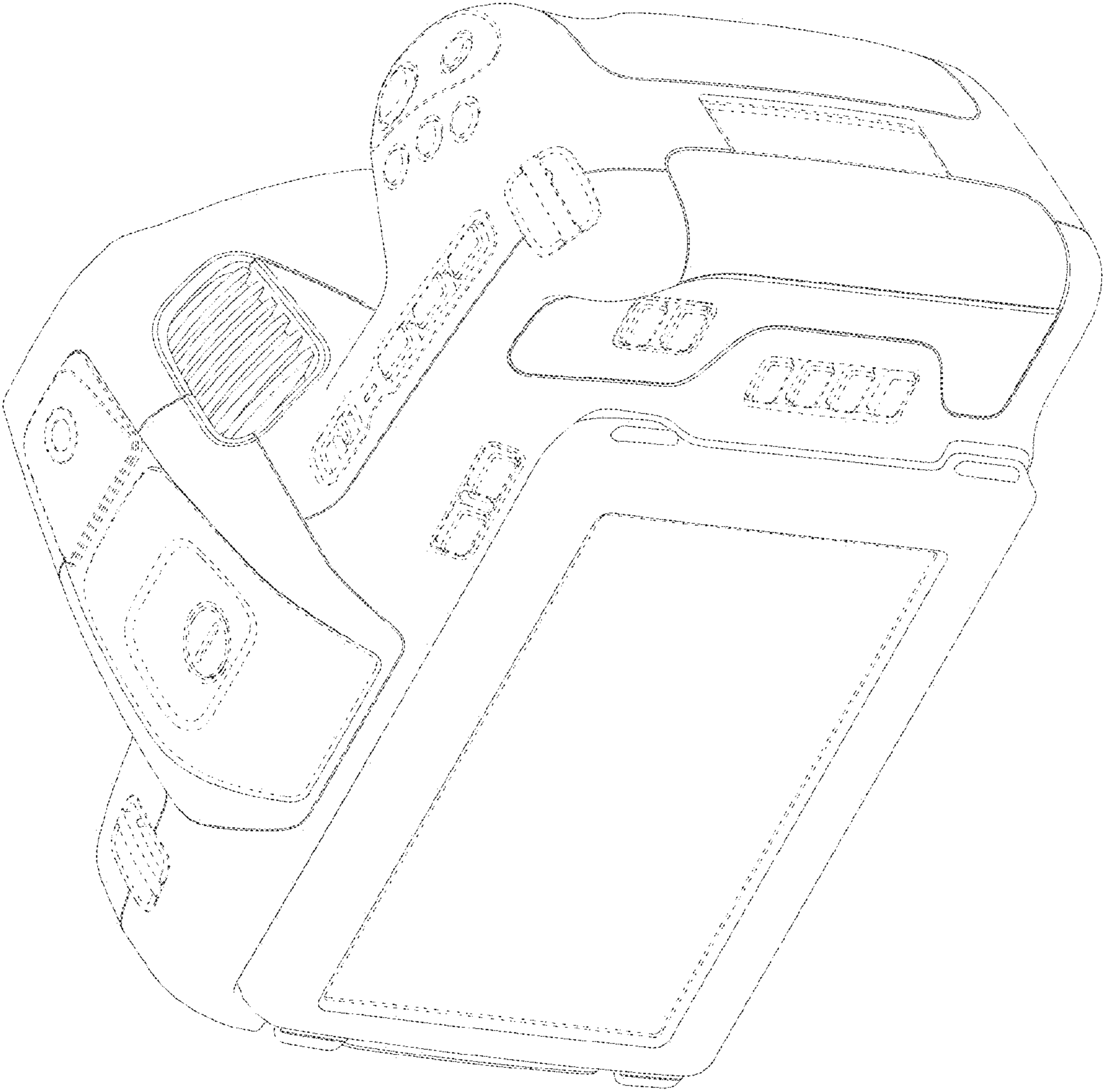


FIG. 2

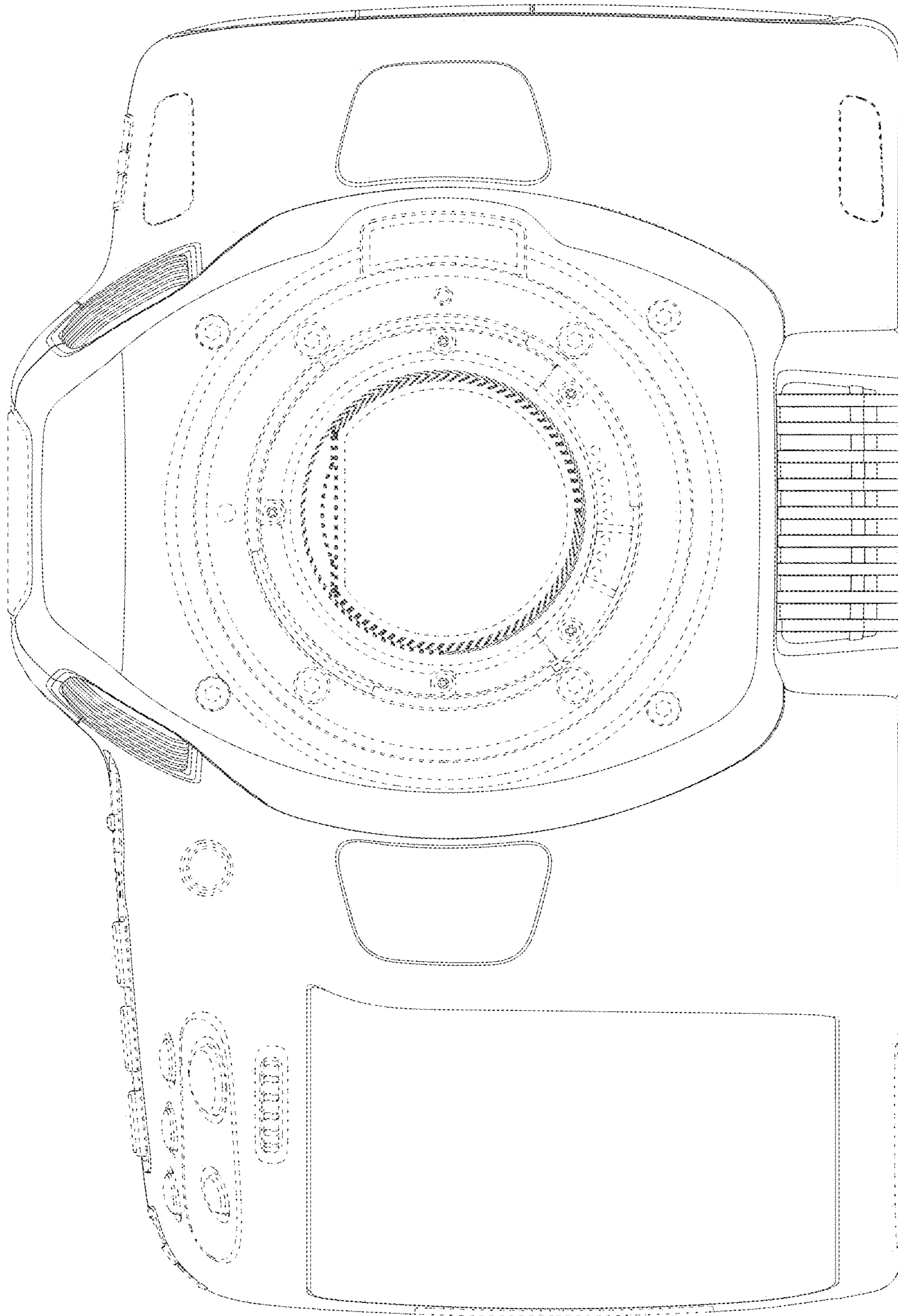


FIG. 3

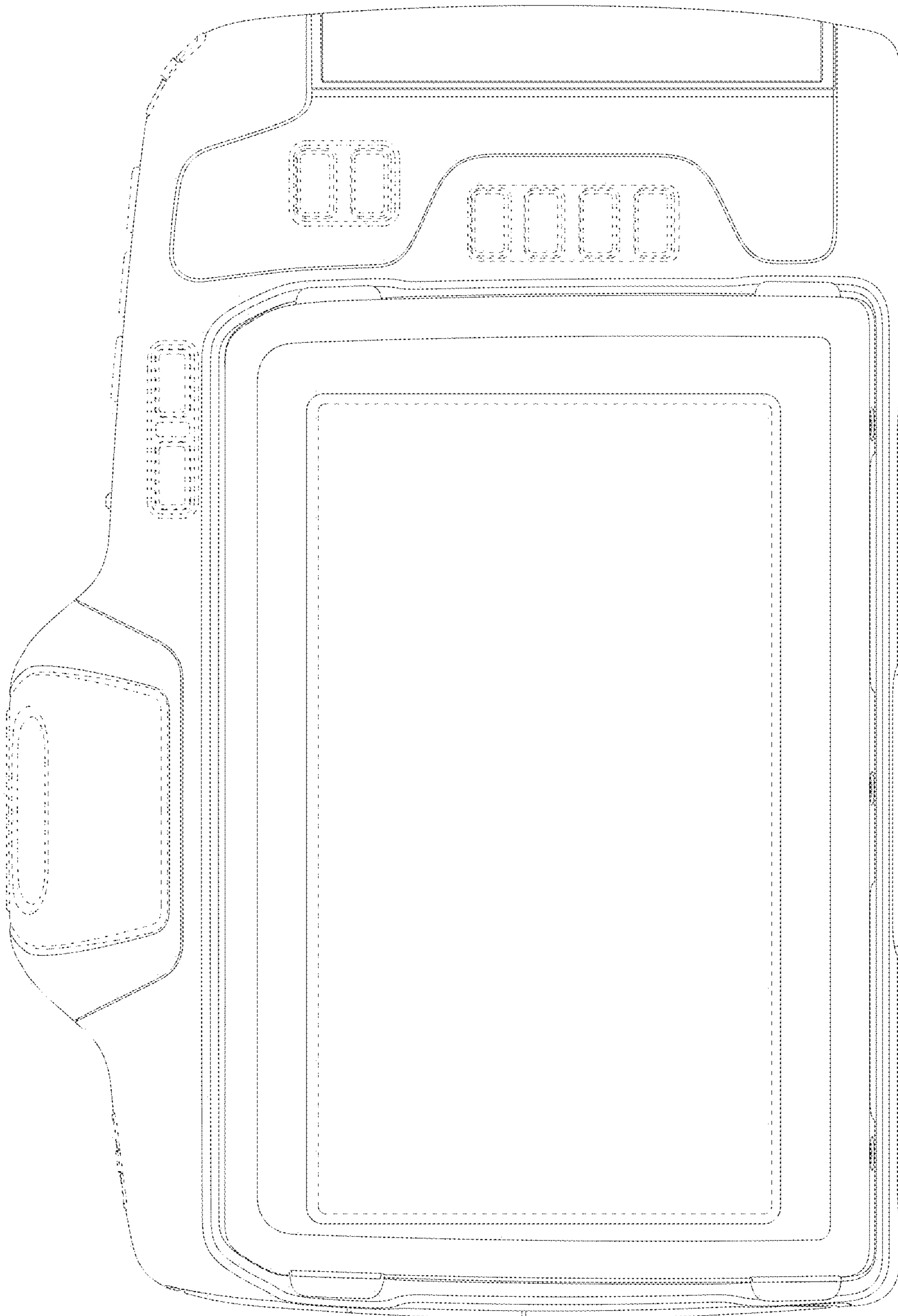


FIG. 4

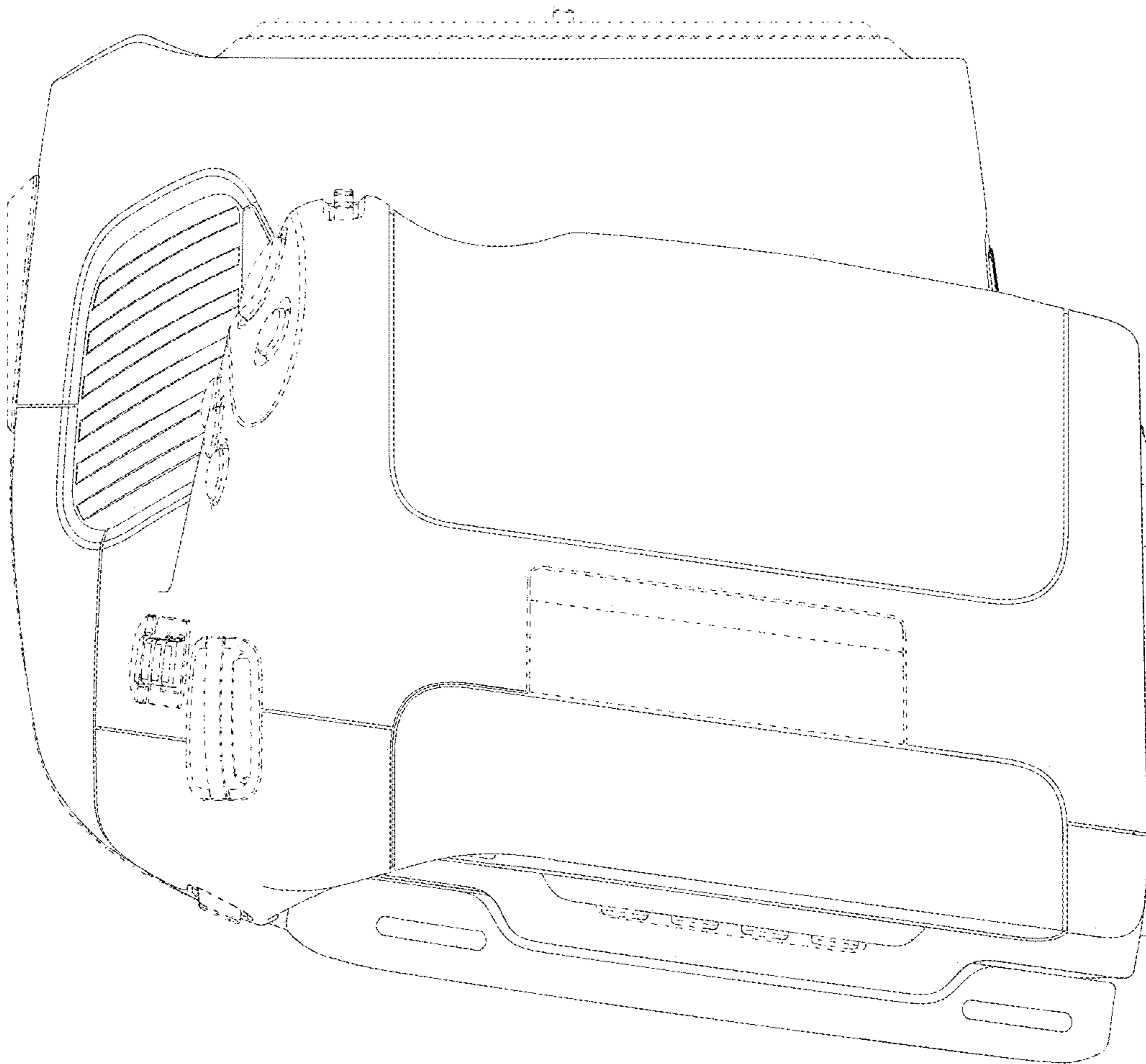


FIG. 5

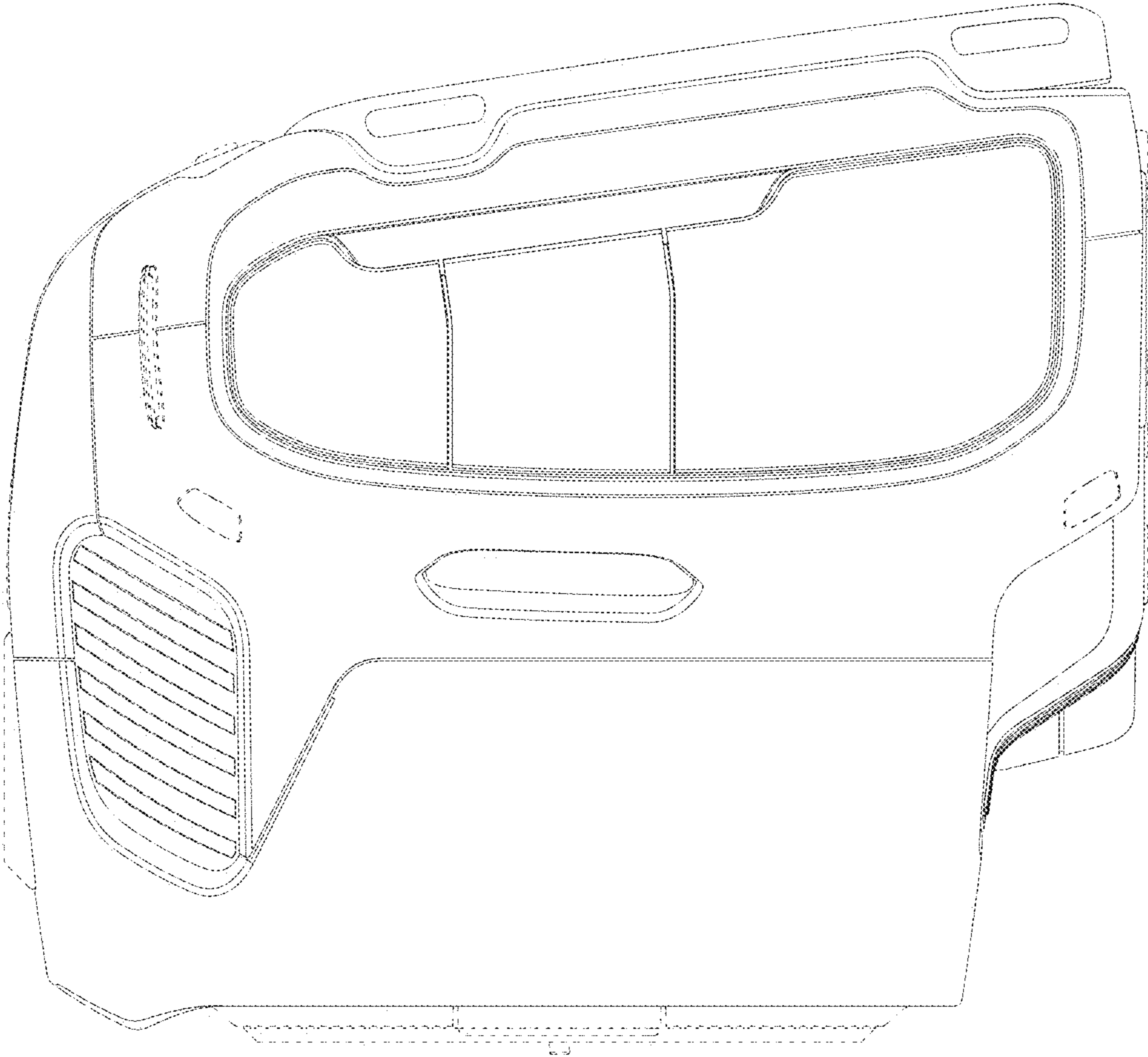


FIG. 6

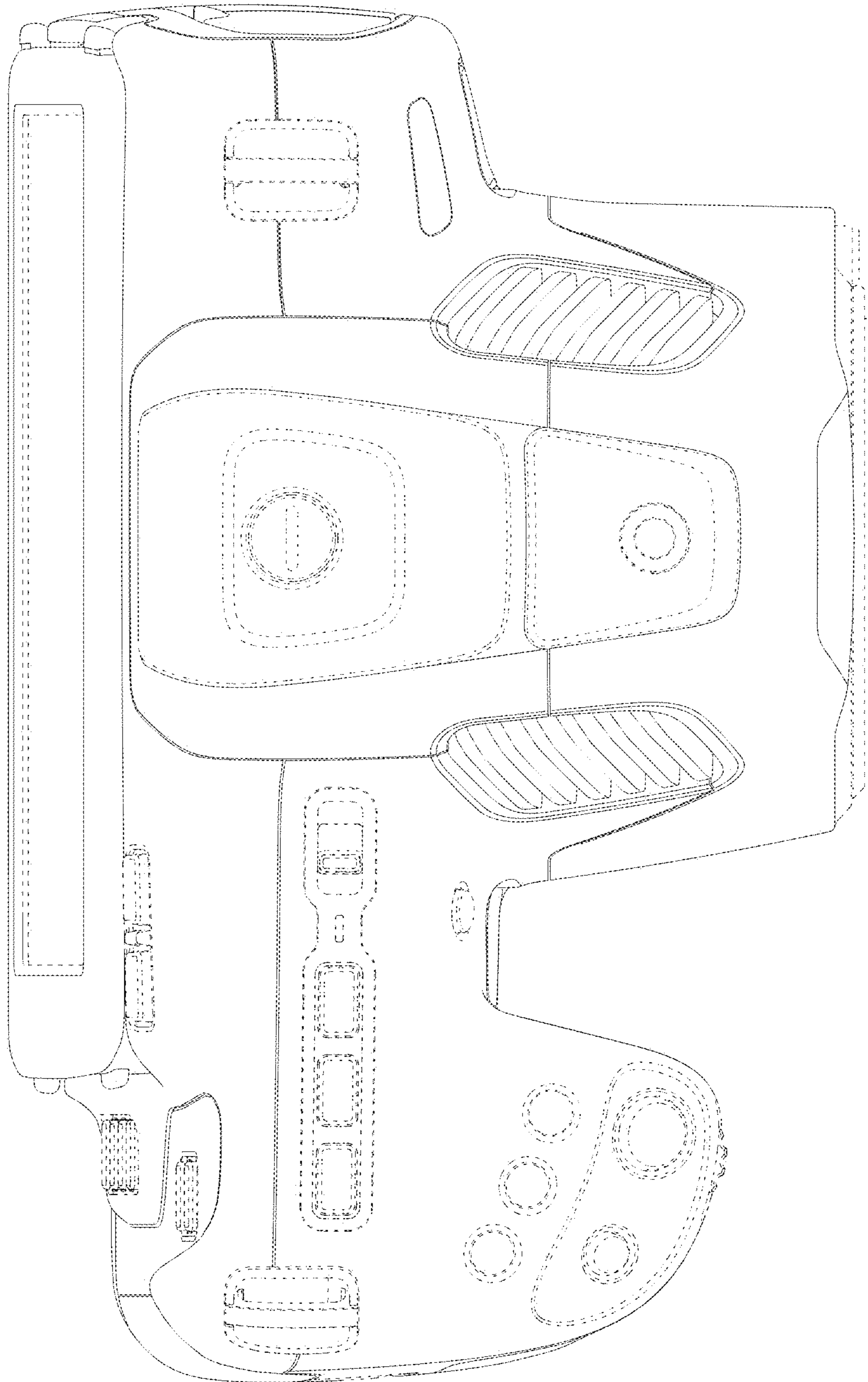


FIG. 7

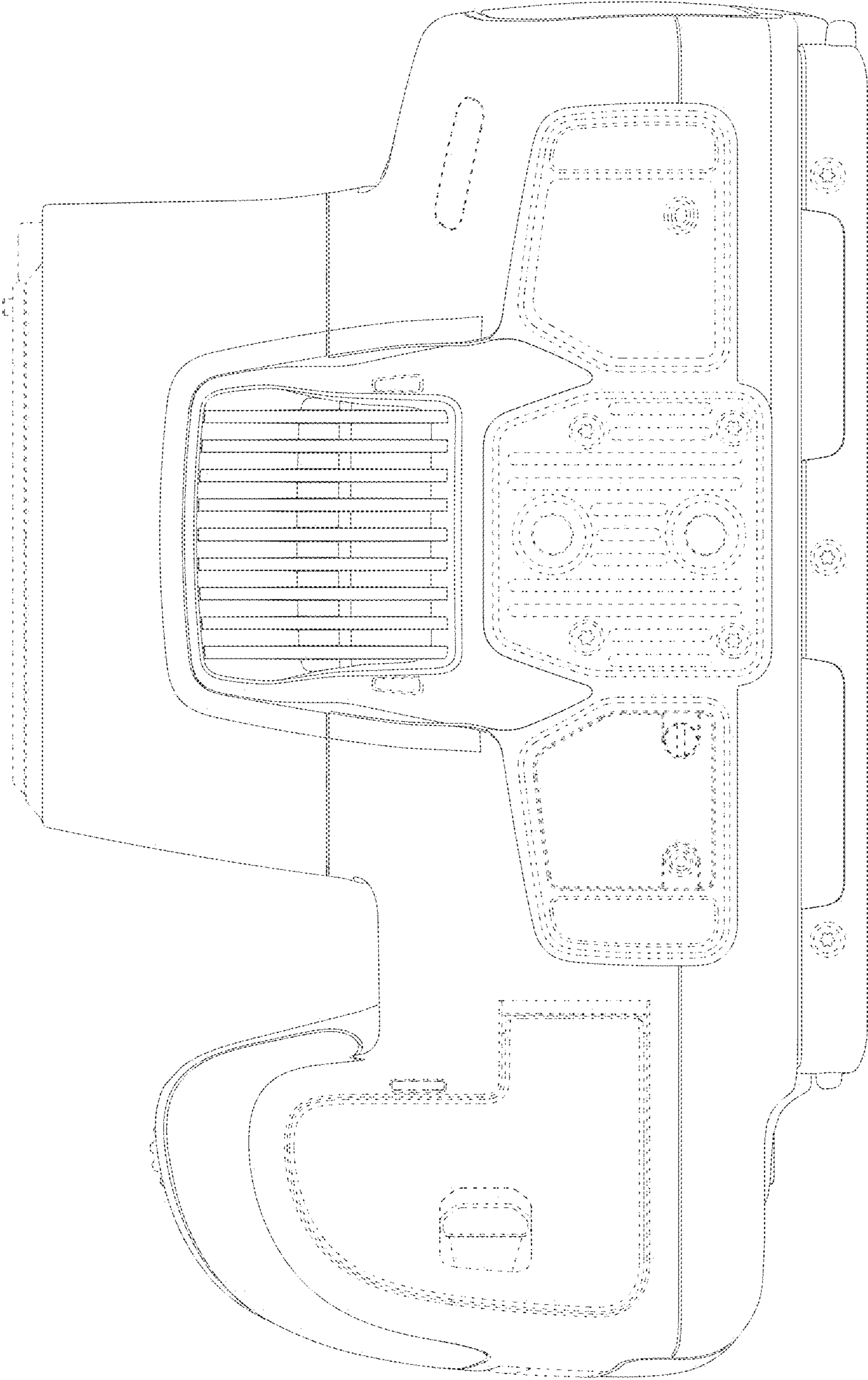


FIG. 8