



US00D985653S

(12) **United States Design Patent**
Kurita et al.

(10) **Patent No.:** **US D985,653 S**

(45) **Date of Patent:** **** May 9, 2023**

(54) **DIGITAL CAMERA**

D936,130 S * 11/2021 Eastwood D16/218
D940,778 S * 1/2022 Tiersen D16/203
D977,557 S * 2/2023 Wang D16/237

(71) Applicants: **Masahiro Kurita**, Tokyo (JP); **Shinji Noguchi**, Kanagawa (JP)

FOREIGN PATENT DOCUMENTS

(72) Inventors: **Masahiro Kurita**, Tokyo (JP); **Shinji Noguchi**, Kanagawa (JP)

CN 305843979 * 6/2020
CN 307417862 * 6/2022
JP D1693775 * 8/2021
KR 3011125770001 * 6/2021

(73) Assignee: **Ricoh Company, Ltd.**, Tokyo (JP)

(**) Term: **15 Years**

OTHER PUBLICATIONS

(21) Appl. No.: **29/773,541**

Mouser Luxonis Oak D-Pro Perception Camera, earliest pictured date unavailable, [online], [site visited Feb. 22, 2023]. Available via Internet, <URL:https://www.mouser.com/new/luxonis/luxonis-robotic-perception-cameras/> (Year: 2023).*

(22) Filed: **Mar. 10, 2021**

(Continued)

(30) **Foreign Application Priority Data**

Nov. 27, 2020 (JP) 2020-025657 D

(51) **LOC (14) Cl.** **16-01**

(52) **U.S. Cl.**
USPC **D16/200**

(58) **Field of Classification Search**
USPC D10/121; D14/125, 204; D16/200, 202,
D16/219; D21/514
CPC .. H04N 23/51; G03B 17/02; G03B 2217/002;
G03B 17/08

See application file for complete search history.

Primary Examiner — Sanjeev Paul
Assistant Examiner — Breana Copeland
(74) *Attorney, Agent, or Firm* — Ipusa, PLLC

(57) **CLAIM**

The ornamental design for a digital camera, as shown and described.

DESCRIPTION

FIG. 1 is a perspective view of a digital camera, showing our new design;
FIG. 2 is a front view thereof;
FIG. 3 is a rear view thereof;
FIG. 4 is a top plan view thereof;
FIG. 5 is a bottom plan view thereof;
FIG. 6 is a left side view thereof; and,
FIG. 7 is a right side view thereof.

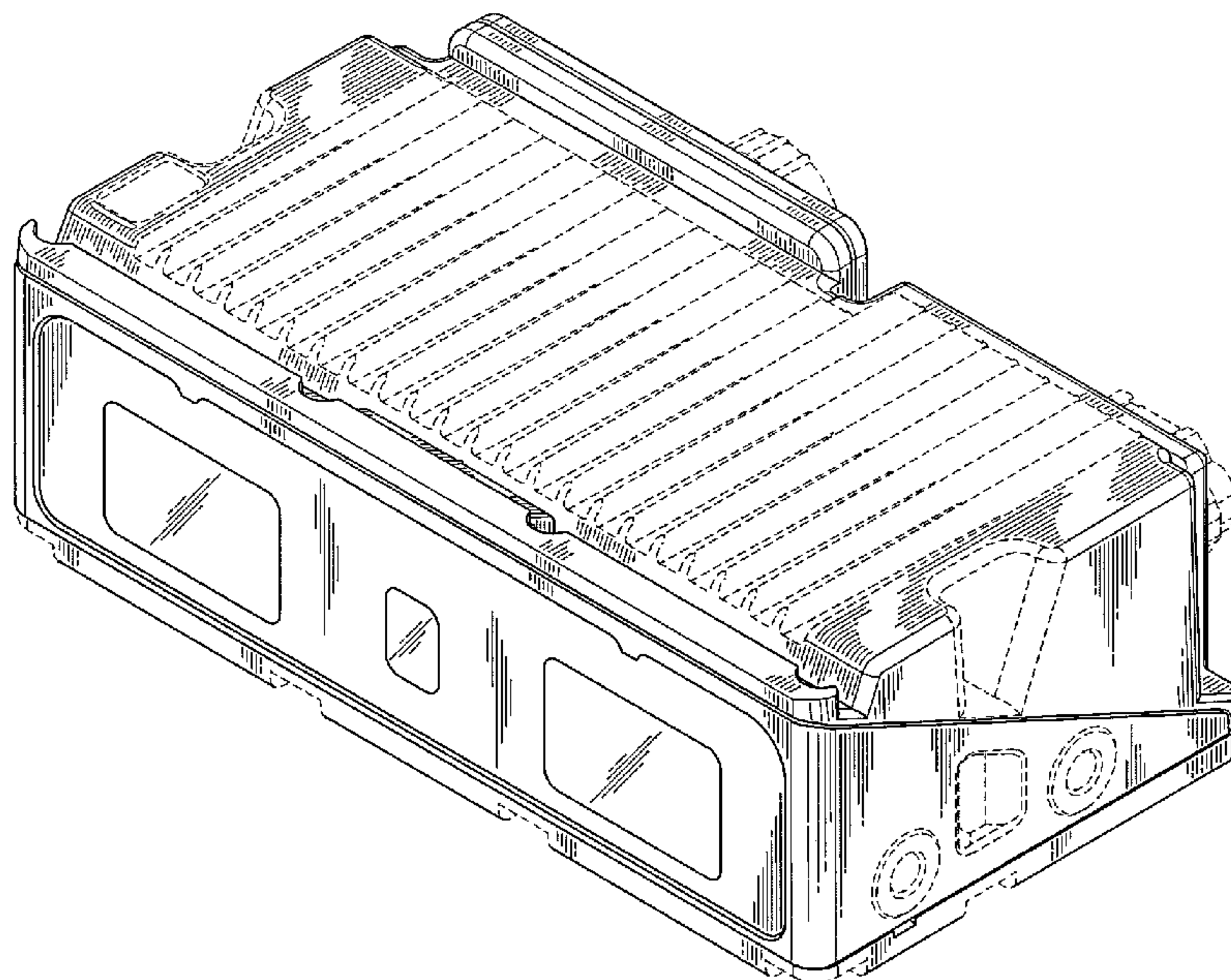
The broken lines shown in the drawings are for the purpose of illustrating portions of the digital camera that form no part of the claimed design.

(56) **References Cited**

U.S. PATENT DOCUMENTS

D228,808 S * 10/1973 Swayze D16/213
D237,831 S * 11/1975 Winkler D16/209
D237,832 S * 11/1975 Winkler D16/209
D685,015 S * 6/2013 Wang D16/202
D702,277 S * 4/2014 Woodman D16/218
D795,940 S * 8/2017 Huang D16/203
D852,253 S * 6/2019 Lee D16/208
D908,154 S * 1/2021 Nishimura D16/200

1 Claim, 4 Drawing Sheets



(56)

References Cited

OTHER PUBLICATIONS

Intel Real Sense Depth Camera D435, earliest pictured Nov. 4, 2019, [online], [site visited Feb. 22, 2023]. Available via Internet, <URL: <https://www.intelrealsense.com/depth-camera-d435/>> (Year: 2019).*

Robotshop Luxonis Oak D Lite Camera, earliest pictured date unavailable, [online], [site visited Feb. 22, 2023]. Available via Internet, <URL: <https://www.robotshop.com/products/luxonis-oak-d-lite-camera-auto-focus>> (Year: 2023).*

Google Search, [online], [site visited Feb. 22, 2023]. Available via Internet, URL: https://www.google.com/search?q=ROS+binocular+3d+stereo+camera&tbm=isch&ved=2ahUKEwidnZmox6n9AhU1FFkFHU41CwoQ2-cCegQIABAA&oq=ROS+binocular+3d+stereo+camera&gs_lcp=CgNpbWcQA1DUaFjUaGCqcWgAcAB4AIABWIGB5gGSAQEzmAEAoAEBqgELZ3dzLXdpei1pbWfAAQE&scient=img&ei=3UP2Y926DbWo5NoPzuqsUA&bih=1174&biw=2133&rlz=1C1GCEA_enU> (Year: 2023).*

* cited by examiner

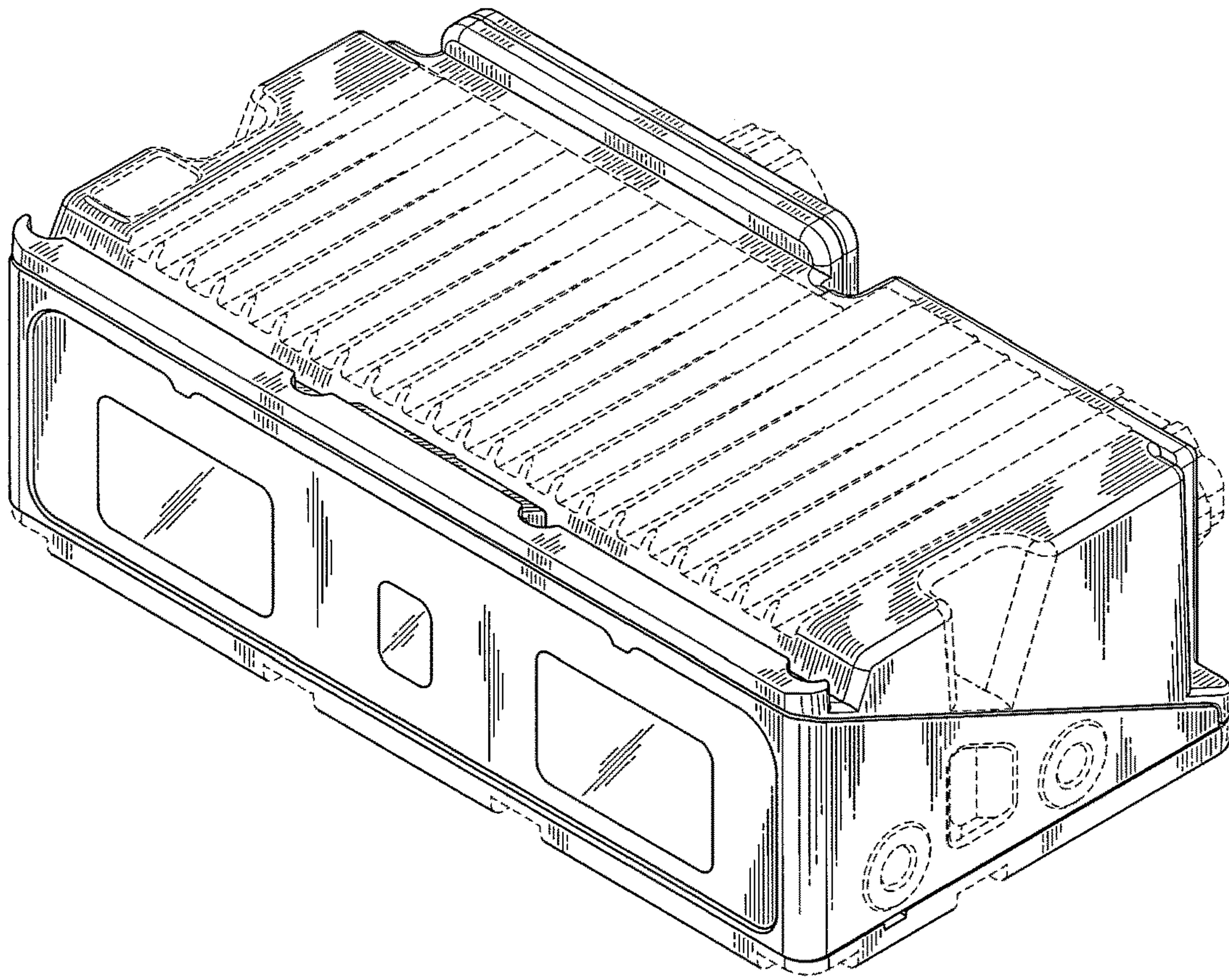


Fig. 1

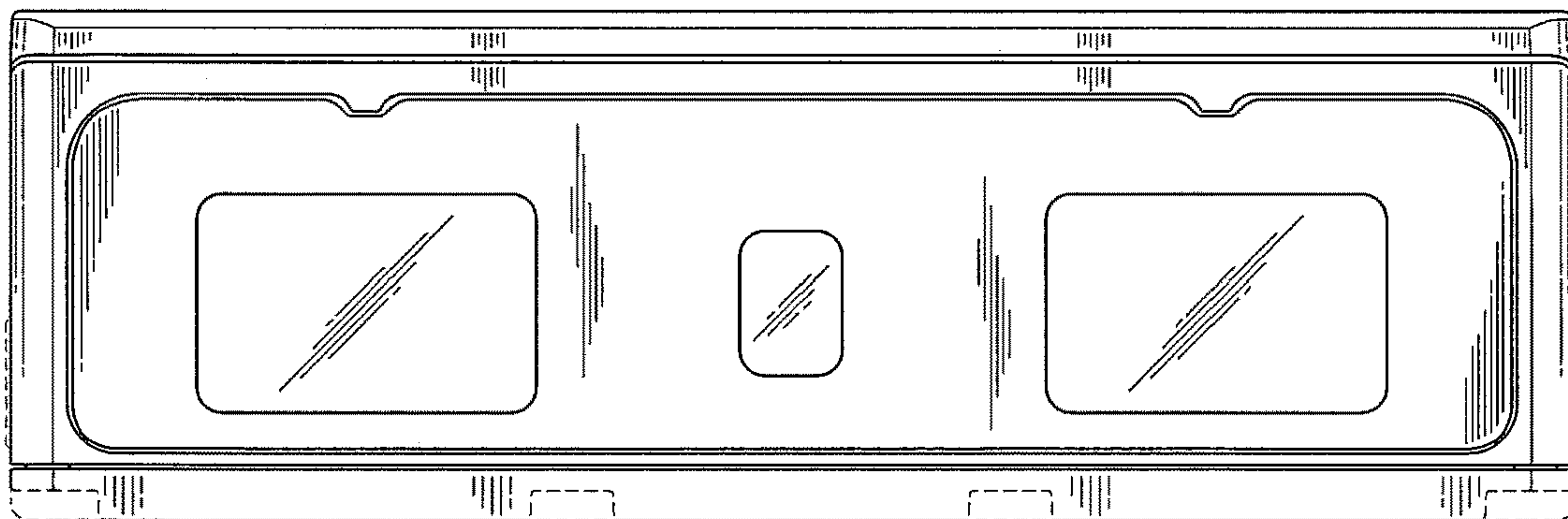


Fig. 2

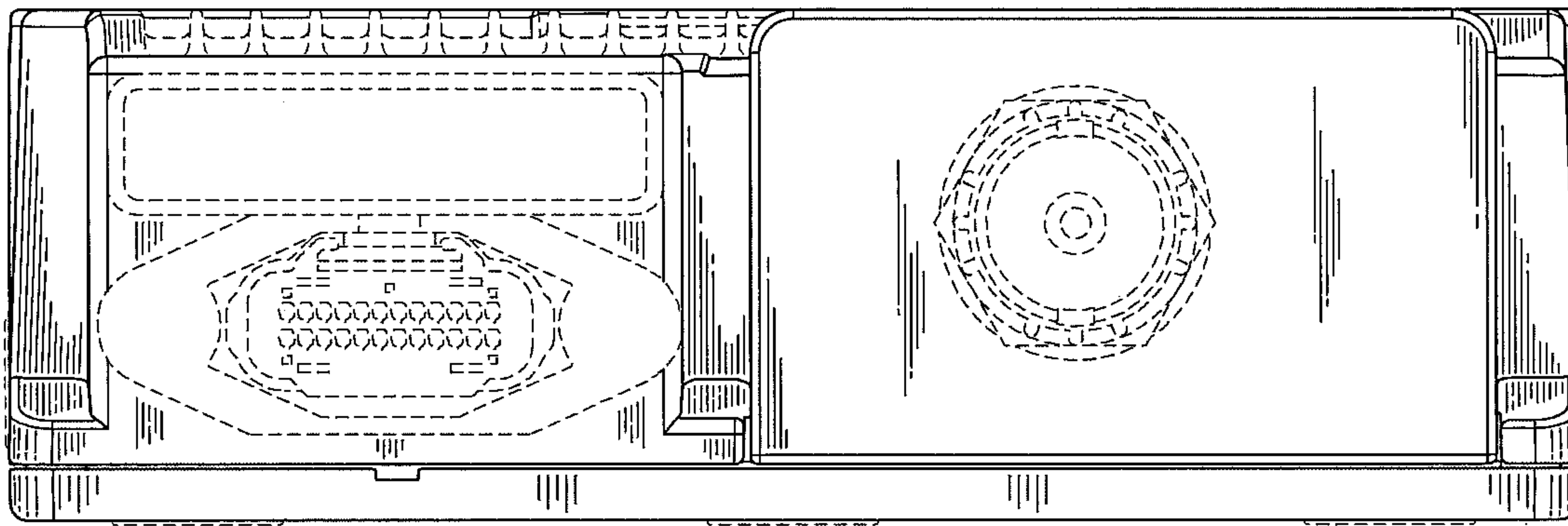


Fig. 3

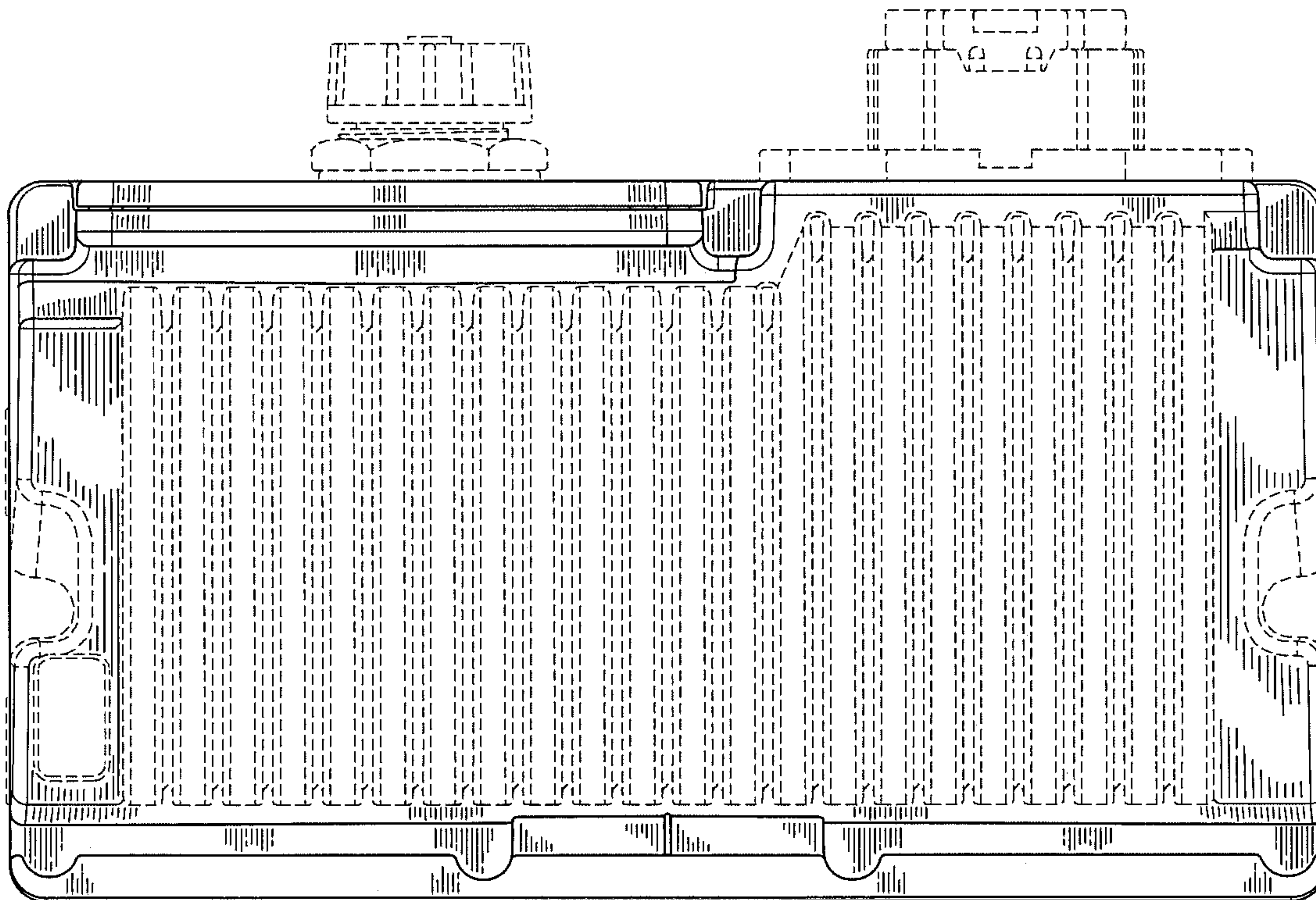


Fig. 4

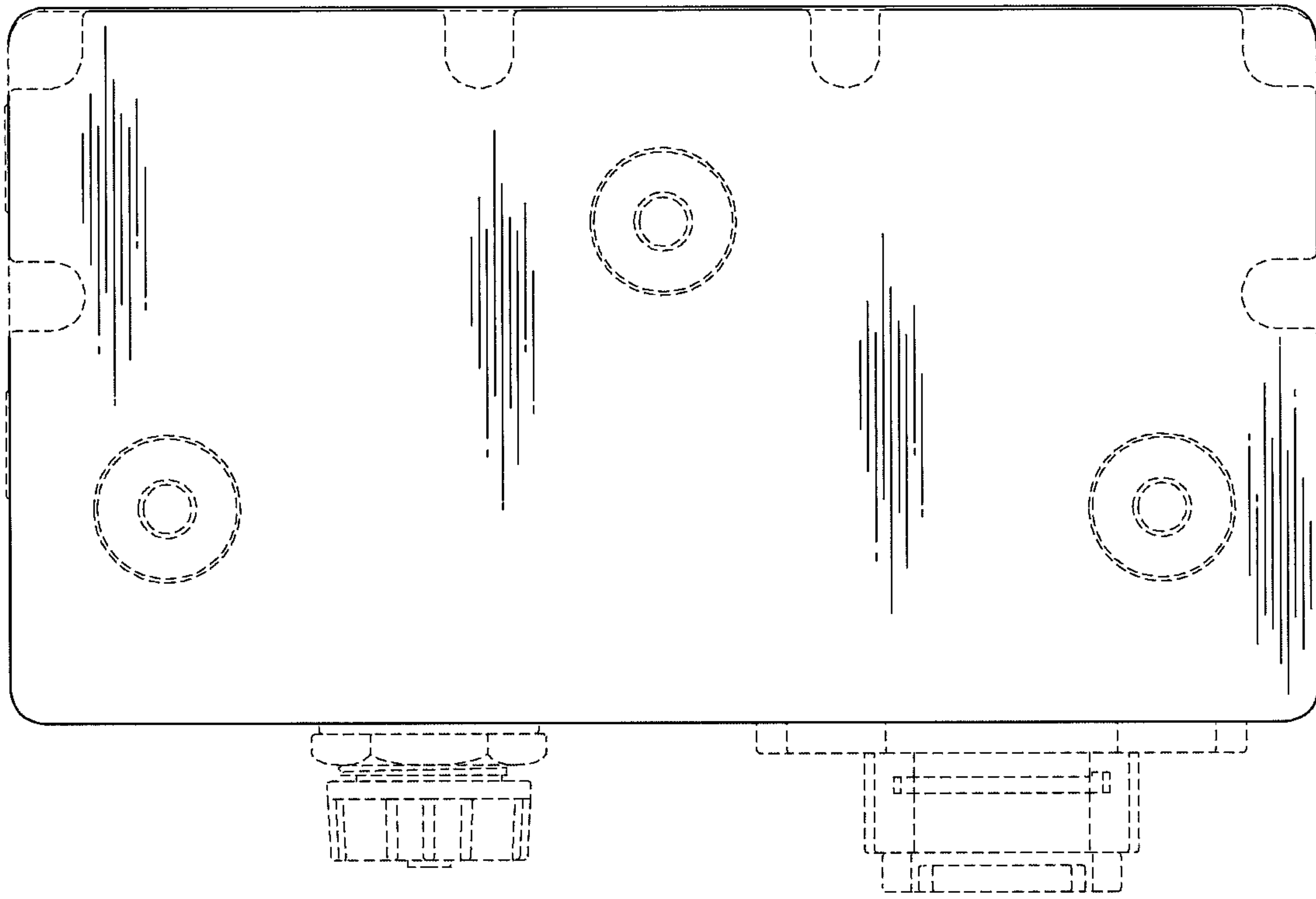


Fig. 5

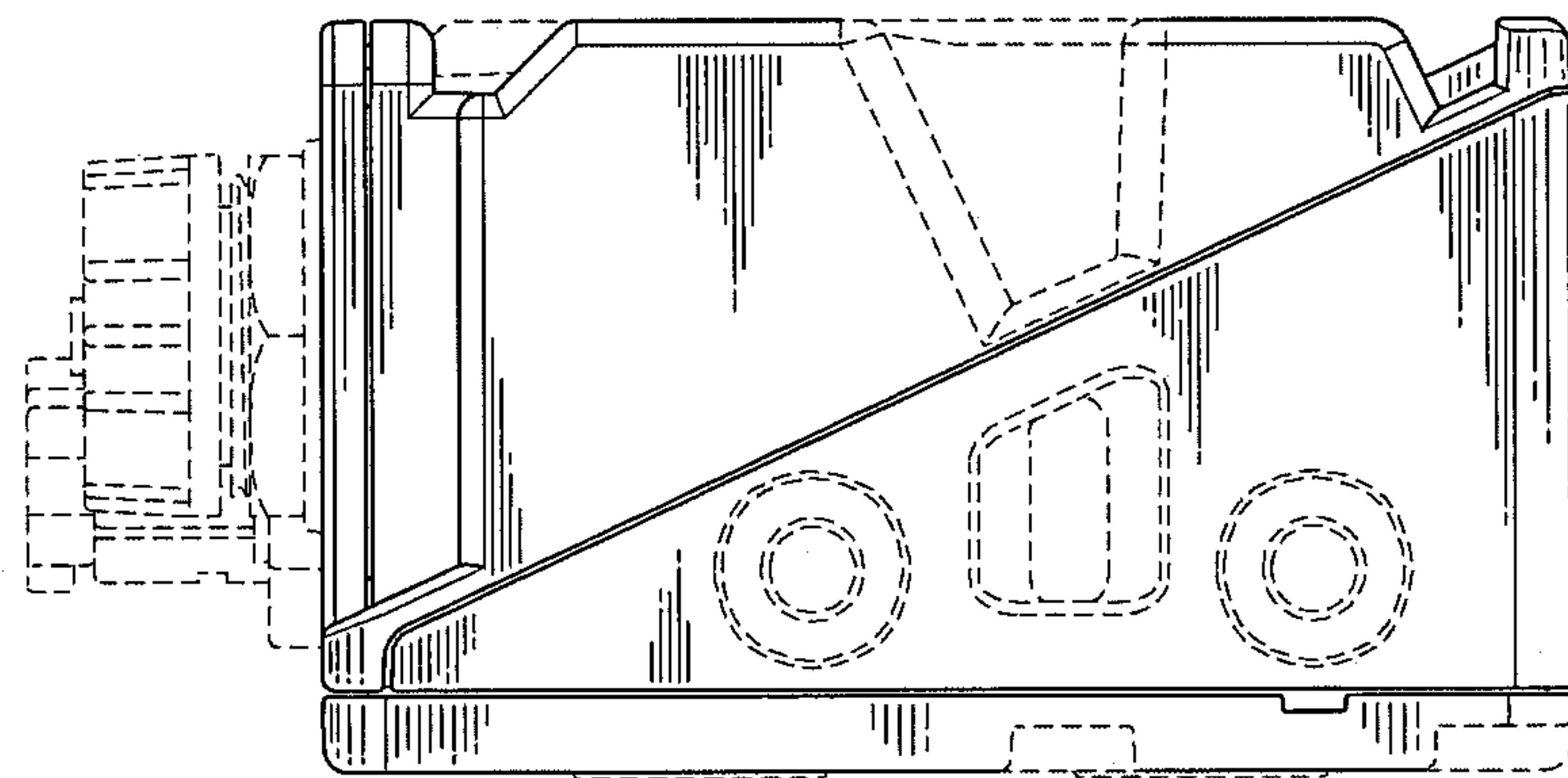


Fig. 6

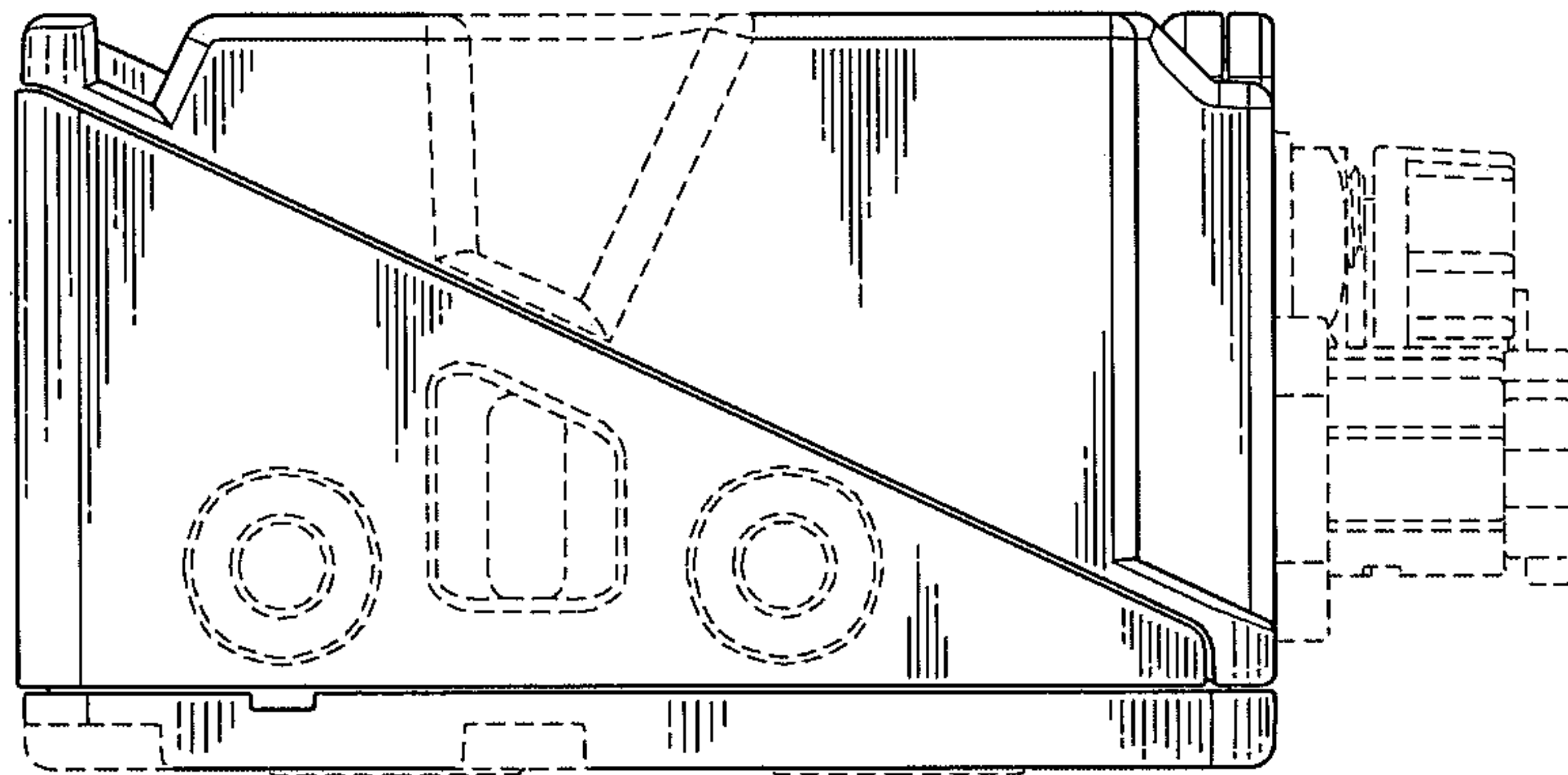


Fig. 7