



US00D985652S

(12) **United States Design Patent** (10) **Patent No.:** **US D985,652 S**
Rosenkvist et al. (45) **Date of Patent:** **** May 9, 2023**

(54) **CAMERA**

FOREIGN PATENT DOCUMENTS

(71) Applicant: **Axis AB**, Lund (SE)
(72) Inventors: **Alexander Rosenkvist**, Lund (SE);
Lars Andersson, Lund (SE); **Hisham Saif**, Lund (SE); **Mariano Vozzi**, Lund (SE); **Jonas Sjögren**, Lund (SE); **Mathias Walter**, Lund (SE)

CN	307570499	*	9/2022
EM	003255710		6/2016
EM	003421262		10/2016
EM	006125027		1/2019
GB	9006125027-0003	*	1/2019
GB	9008161368-0004	*	9/2020
TW	181783-0001	*	3/2017

(73) Assignee: **AXIS AB**, Lund (SE)

(**) Term: **15 Years**

(21) Appl. No.: **29/772,384**

(22) Filed: **Mar. 1, 2021**

(30) **Foreign Application Priority Data**

Sep. 4, 2020 (EM) 008161368

(51) **LOC (14) Cl.** **16-01**

(52) **U.S. Cl.**
USPC **D16/200**

(58) **Field of Classification Search**
USPC D10/104.1, 109.1, 109.2; D16/200, 202,
D16/203, 218, 219
CPC G03B 17/00; G03B 17/02; G03B 19/18;
G03B 2219/00
See application file for complete search history.

(56) **References Cited**

U.S. PATENT DOCUMENTS

D307,915 S *	5/1990	Kuester, III	D16/203
D736,295 S *	8/2015	Katori	D16/203
D876,513 S *	2/2020	Garre	D16/203
D910,732 S *	2/2021	Rosenkvist	D16/203
D918,984 S *	5/2021	Rosenkvist	D16/203
D940,779 S *	1/2022	Miller	D16/203

OTHER PUBLICATIONS

Axis M1135 Network Camera, earliest pictured Jul. 2, 2021, [online], [site visited Jan. 23, 2023]. Available via Internet, <URL:https://www.cdw.com/product/axis-m1135-network-surveillance-camera/5909325?pfm=rvi> (Year: 2021).*

(Continued)

Primary Examiner — Sanjeev Paul

Assistant Examiner — Breana Copeland

(74) *Attorney, Agent, or Firm* — Tucker Ellis LLP

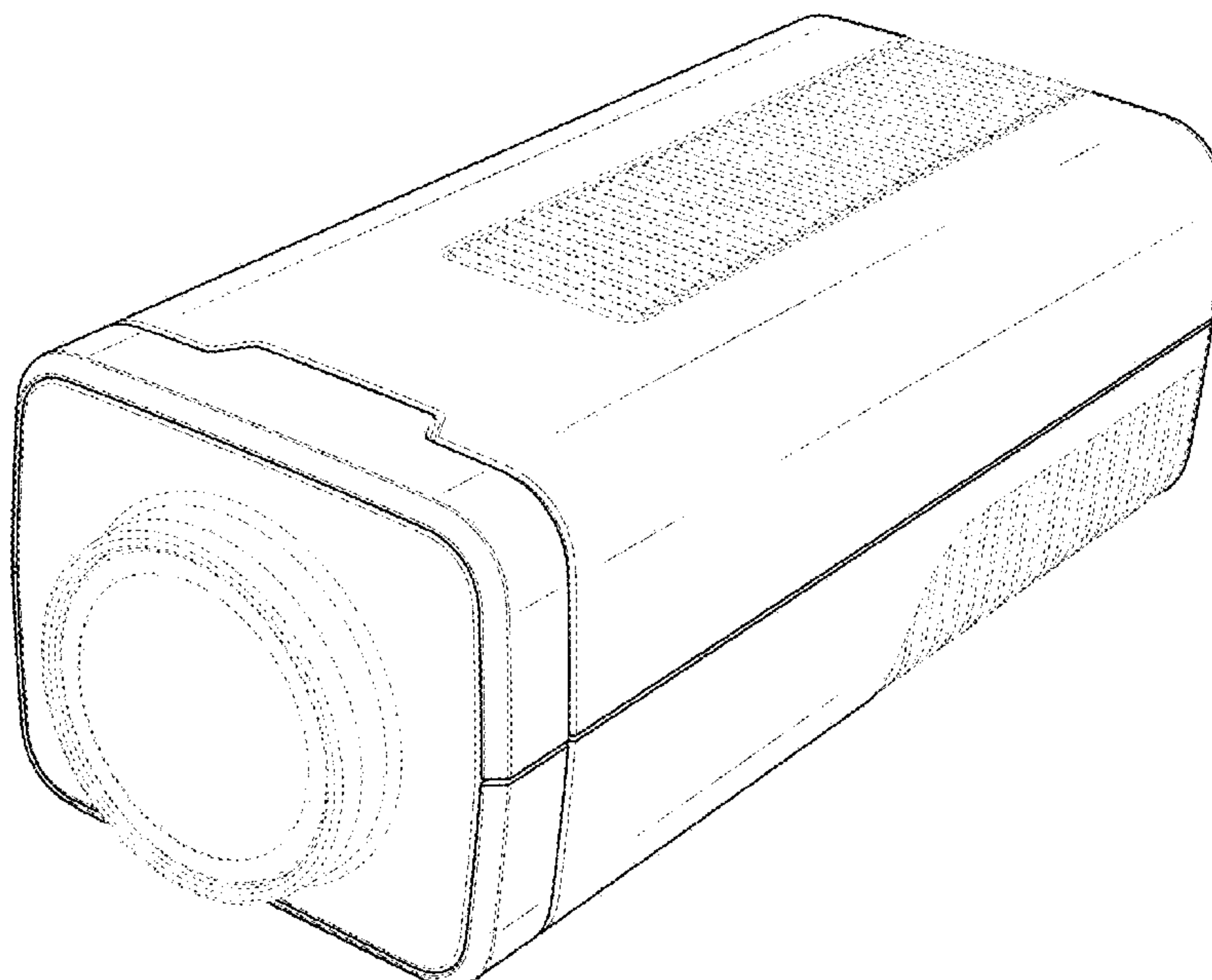
(57) **CLAIM**

The ornamental design for a camera, as shown and described.

DESCRIPTION

FIG. 1 is a front, left side, top perspective view of a camera showing our new design;
FIG. 2 is a front view thereof;
FIG. 3 is a rear view thereof;
FIG. 4 is a left side view thereof;
FIG. 5 is a right side view thereof;
FIG. 6 is a top view thereof; and,
FIG. 7 is a bottom view thereof.
The broken lines in the drawings illustrate portions of the camera that form no part of the claimed design.

1 Claim, 4 Drawing Sheets



(56)

References Cited

OTHER PUBLICATIONS

Kintronics Sony IP Box Camera, earliest pictured Mar. 10, 2010, [online], [site visited Jan. 23, 2023]. Available via Internet, <URL:https://kintronics.com/products/ip-box-cameras/sony-ip-box-cameras/> (Year: 2010).*

A1 Security Cameras ACTi IP Box Camera, earliest pictured Dec. 31, 2015, [online], [site visited Jan. 23, 2023]. Available via Internet, < URL:https://www.a1securitycameras.com/acti-e210-ip-box-security-camera.html> (Year: 2015).*

Google Search, [online], [site visited Jan. 23, 2023], Available via Internet <URL:https://www.google.com/search?q=box+security+cameras&tbm=isch&ved=2ahUKEwj72Y6Ws978AhXwn3IEHREtC9EQ2-cCegQIABAA&oq=box+security+cameras&gs_lcp=CgNpbWcQAzIFCAAQgAQyCAGAEAUQBxAeMggIABAFEAcQHjoHCAAQgAQQGD0GCAAQBxAeOggIABAIEAcQHIDYCVihEGDGF2gAcAB4AIABIQGIaEMCkgEDMy4xmAEAoAEBqgELZ3dzLXdpei1pbWfAAQE&sclient=img&ei=atzOY_v8DPC_ytMPkdqsiA (Year: 2023).*

* cited by examiner

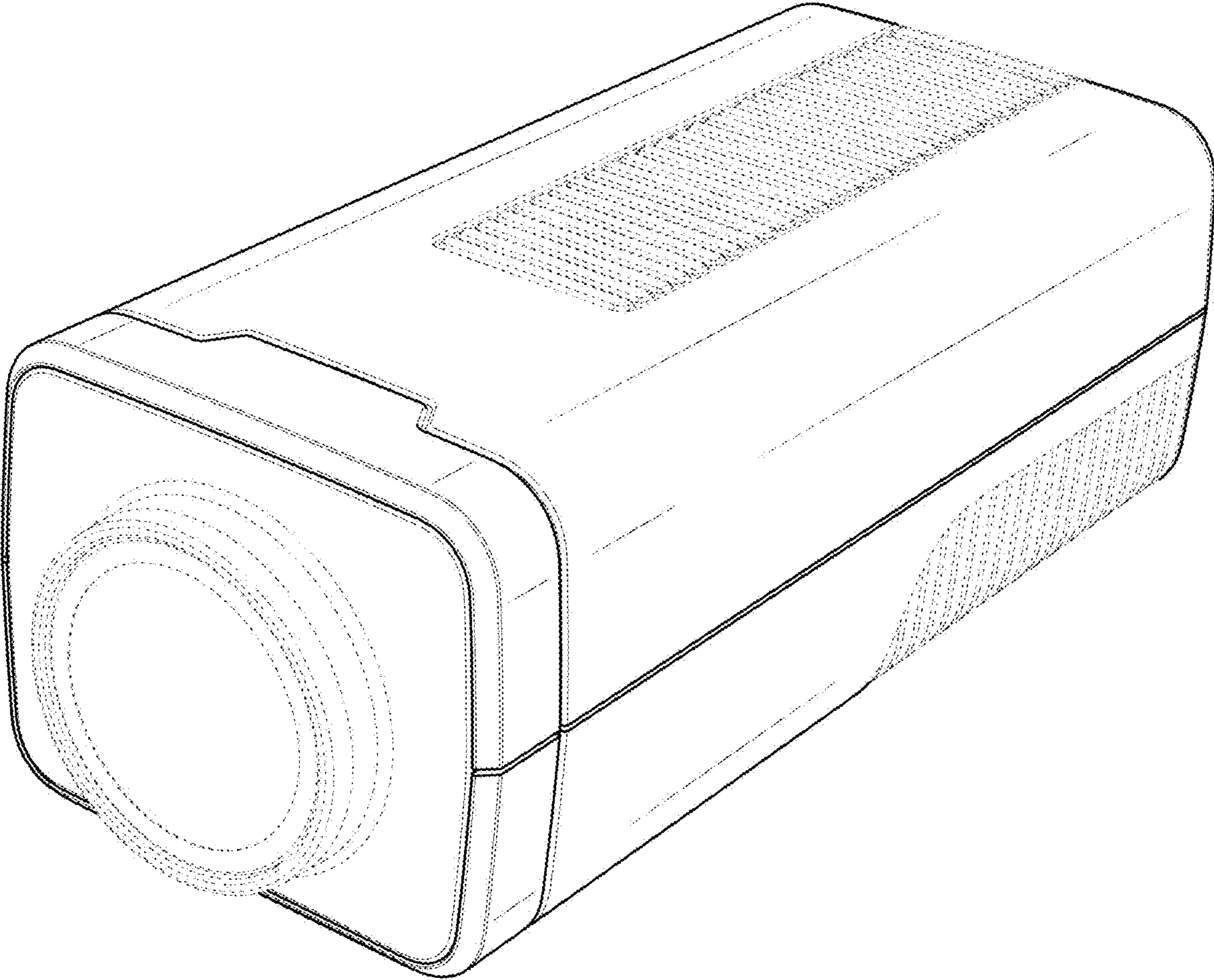


FIG. 1

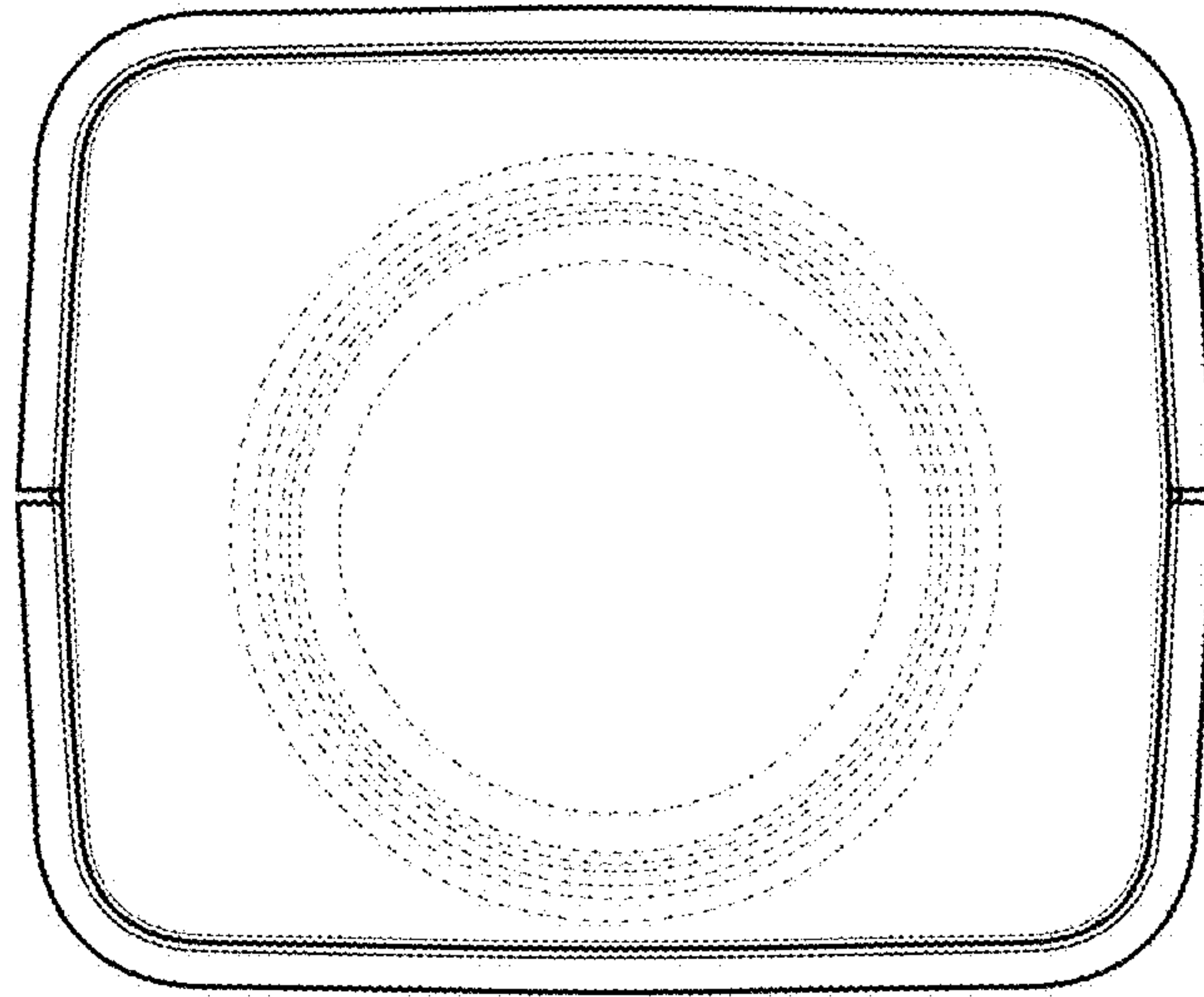


FIG. 2

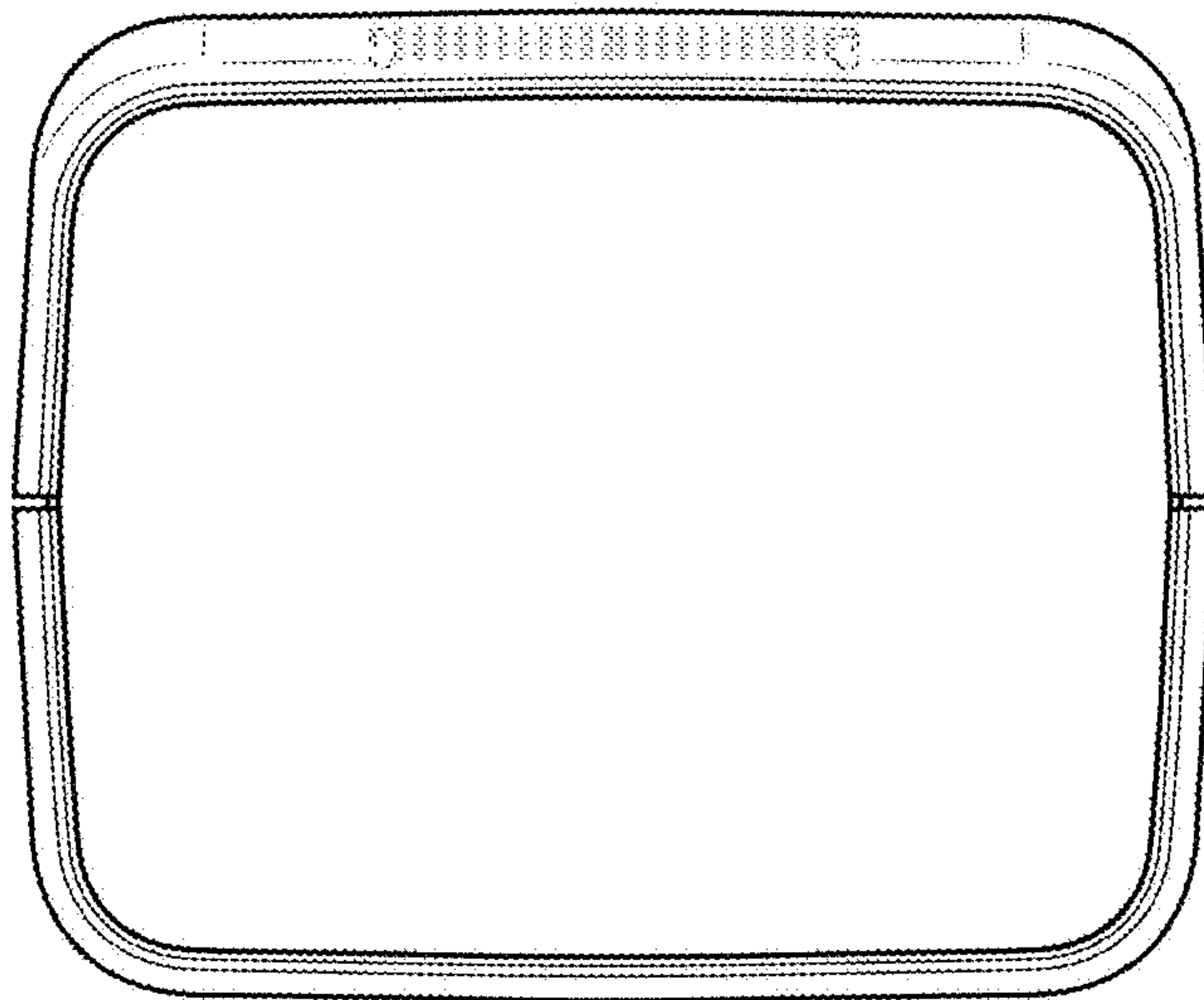


FIG. 3

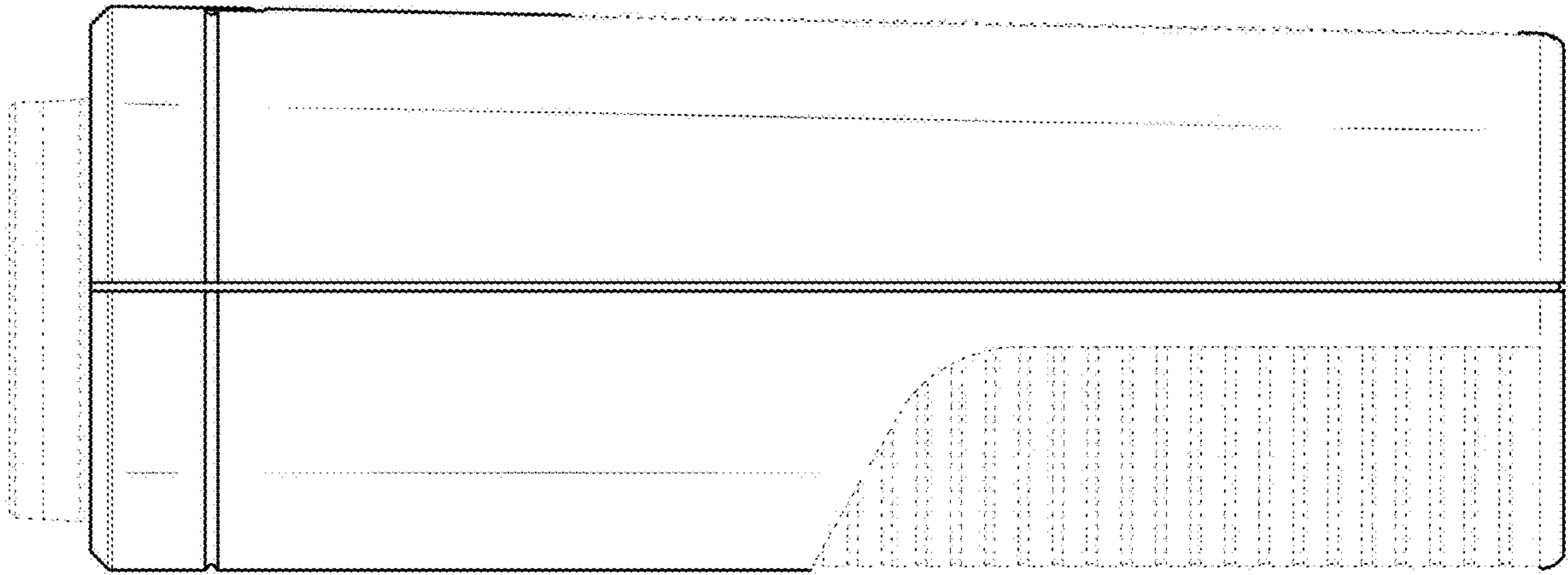


FIG. 4

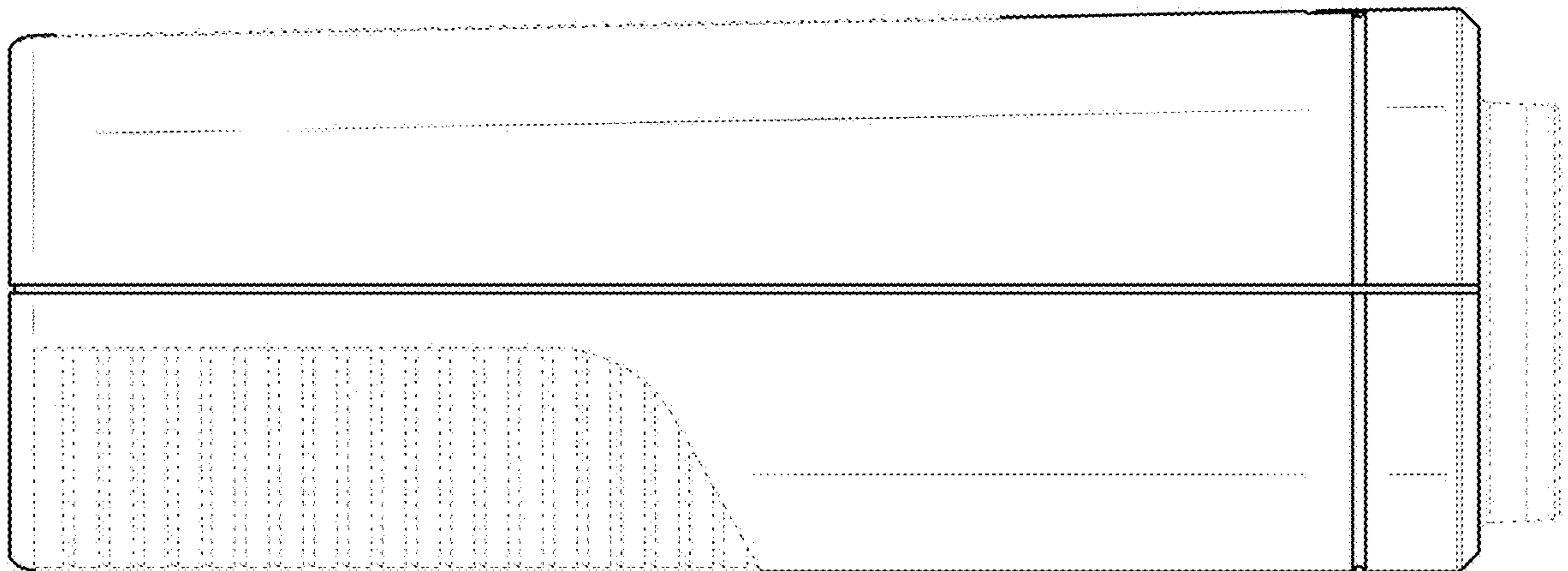


FIG. 5

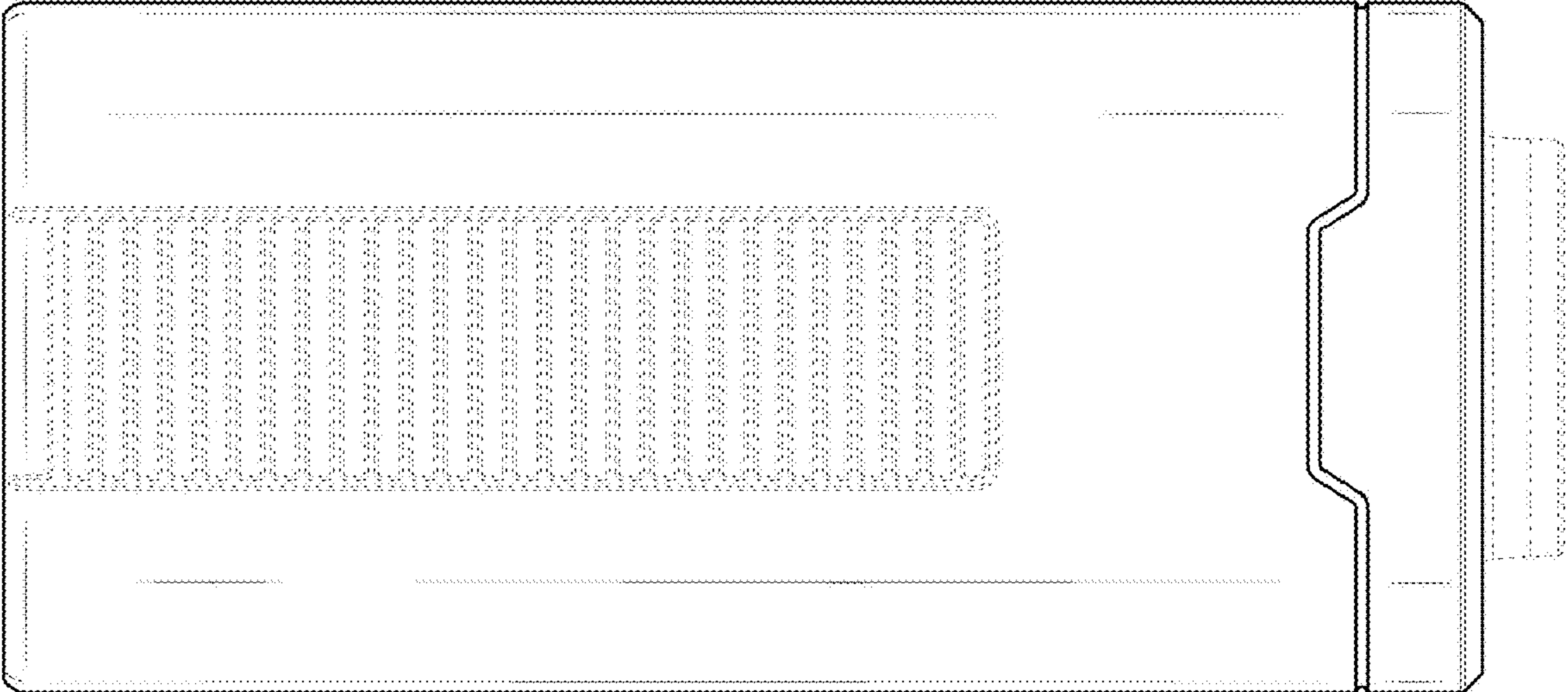


FIG. 6

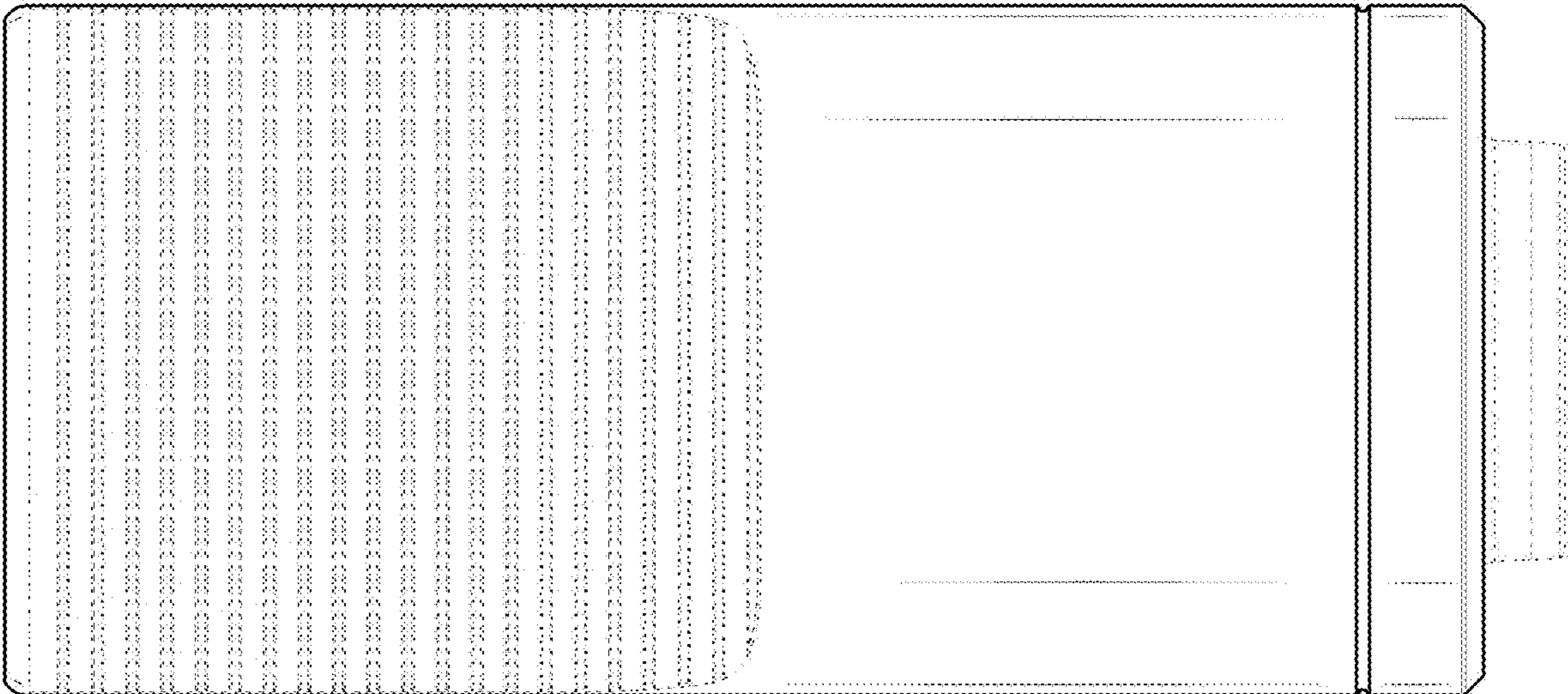


FIG. 7