



US00D985649S

(12) **United States Design Patent** (10) **Patent No.:** **US D985,649 S**
Kamei (45) **Date of Patent:** **** May 9, 2023**

(54) **INSTANT CAMERA**

(71) Applicant: **FUJIFILM Corporation**, Tokyo (JP)
(72) Inventor: **Keita Kamei**, Tokyo (JP)
(73) Assignee: **FUJIFILM Corporation**, Tokyo (JP)
(**) Term: **15 Years**

(21) Appl. No.: **29/744,075**
(22) Filed: **Jul. 27, 2020**

(30) **Foreign Application Priority Data**

Jan. 29, 2020 (JP) 2020-001581 D

(51) **LOC (14) Cl.** **16-01**

(52) **U.S. Cl.**
USPC **D16/200; D16/219**

(58) **Field of Classification Search**
USPC D16/200, 201, 202, 206, 208, 218, 219,
D16/242; 352/92; 346/44; 396/176, 540
CPC G03B 2227/00; G03B 2219/00; G03B
2217/00; G03B 27/00; G03B 17/02;
G03B 29/00

See application file for complete search history.

(56) **References Cited**

U.S. PATENT DOCUMENTS

D709,543 S * 7/2014 Isozaki D16/218
D754,234 S * 4/2016 Lee D16/218
D779,577 S * 2/2017 Ikegame D16/218
D781,362 S * 3/2017 Ikegame D16/218
D848,512 S * 5/2019 Kamei D16/218
10,488,736 B2 * 11/2019 Nakai G03D 5/02
D953,403 S * 5/2022 Kamei D16/200
2018/0231893 A1 * 8/2018 Sugiyama H04N 5/2257

FOREIGN PATENT DOCUMENTS

CN 306019611 * 8/2020
FR 007708094-0002 * 12/2020
JP D1667761 * 9/2021

OTHER PUBLICATIONS

FujiFilm.com Instax mini 11, earliest pictured Mar. 29, 2020, [online], [site visited Aug. 2, 2022]. Available from Internet, <URL: <https://instax.com/mini11/en/>> (Year: 2020).*

Tech Inn Fujifilm Instax mini 11, earliest review Jul. 10, 2021, [online], [site visited Jul. 22, 2022]. Available from Internet, <URL: <https://www.tradeinn.com/techinn/en/fujifilm-instax-mini-11-instant-camera/137821187/p?tw=>>> (Year: 2021).*

(Continued)

Primary Examiner — Sanjeev Paul

Assistant Examiner — Breana Copeland

(74) *Attorney, Agent, or Firm* — Studebaker & Brackett PC

(57) **CLAIM**

The ornamental design for an instant camera, as shown and described.

DESCRIPTION

FIG. 1 is a front-left perspective view of an instant camera, showing the new design;

FIG. 2 is a front-right perspective view thereof;

FIG. 3 is a front view thereof;

FIG. 4 is a left side view thereof;

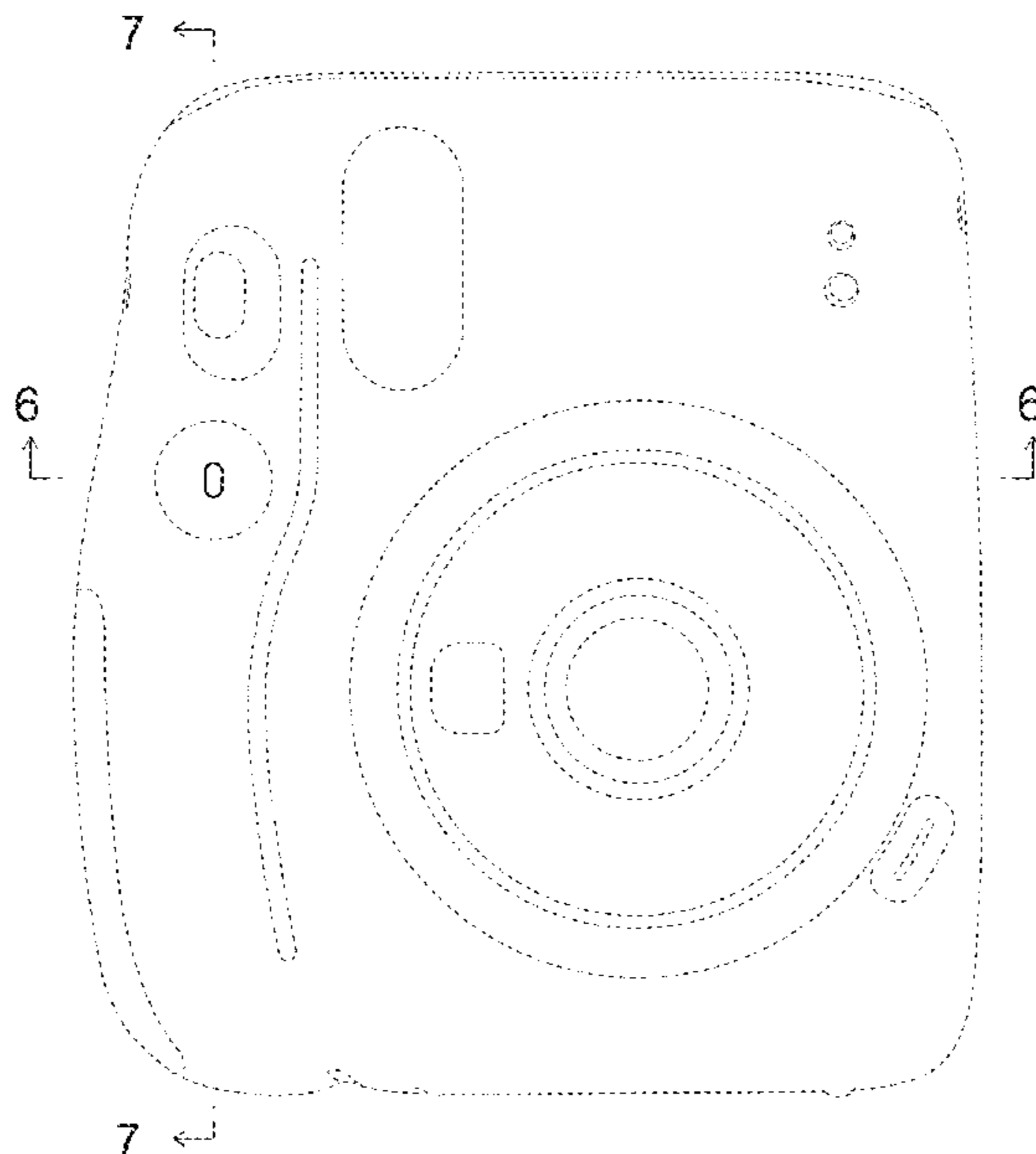
FIG. 5 is a top view thereof;

FIG. 6 is an end view along line 6-6 of FIG. 3, of an attachment member for accessories, thereof; and,

FIG. 7 is an end view along line 7-7 of FIG. 3, of an attachment member for accessories, thereof.

The broken lines shown in the drawings are included for the purpose of illustrating portions of the Instant Camera and form no part of the claimed design.

1 Claim, 7 Drawing Sheets



(56)

References Cited

OTHER PUBLICATIONS

Youtube Fujifilm Instax Mini review: Best Instant Camera, published Mar. 3, 2020, [online], [site visited]. Available from Internet, <URL: <https://www.youtube.com/watch?v=DFBpYjT3aX0> > (Year: 2020).*

Google Image Search, Instant Camera, [online], [site visited Aug. 3, 2022]. Available from Internet, <URL: https://www.google.com/search?q=instant+camera&source=lnms&tbm=isch&sa=X&ved=2ahUKEwjK4sKq8ar5AhXSGVkfHX0-D_kQ_AUoAnoECAkQ%E2%80%A6 > (Year: 2022).*

* cited by examiner

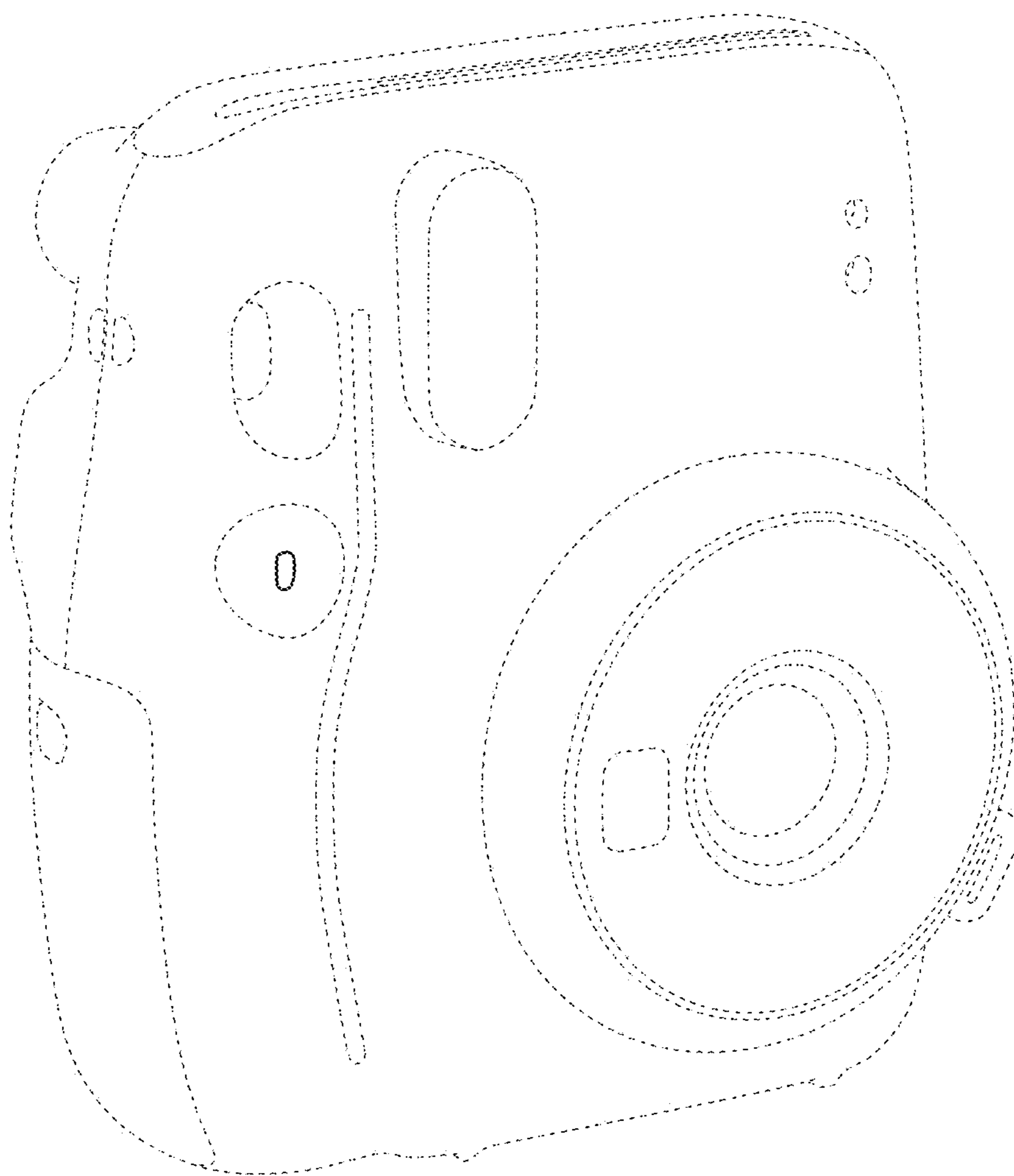


FIG. 1

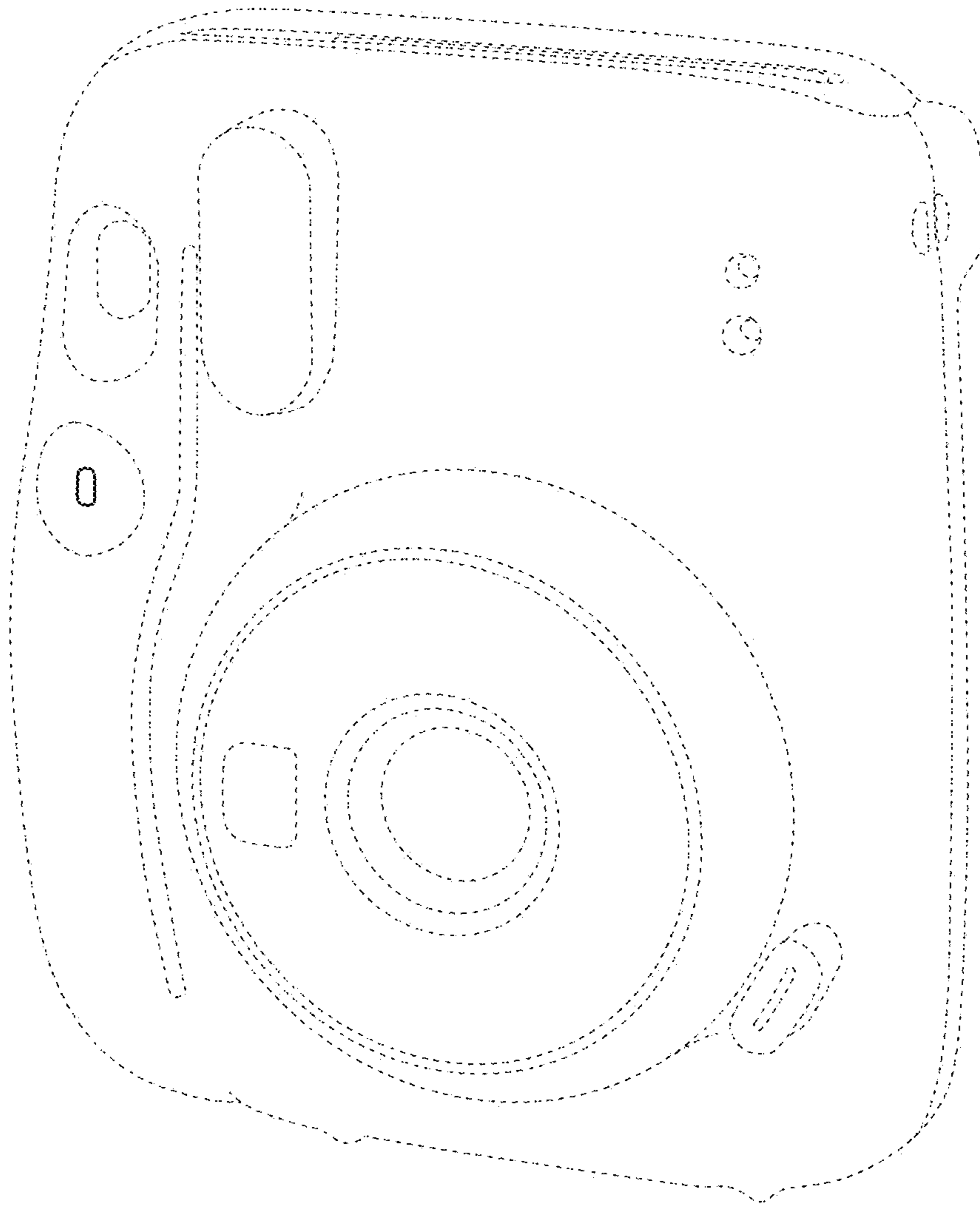


FIG. 2

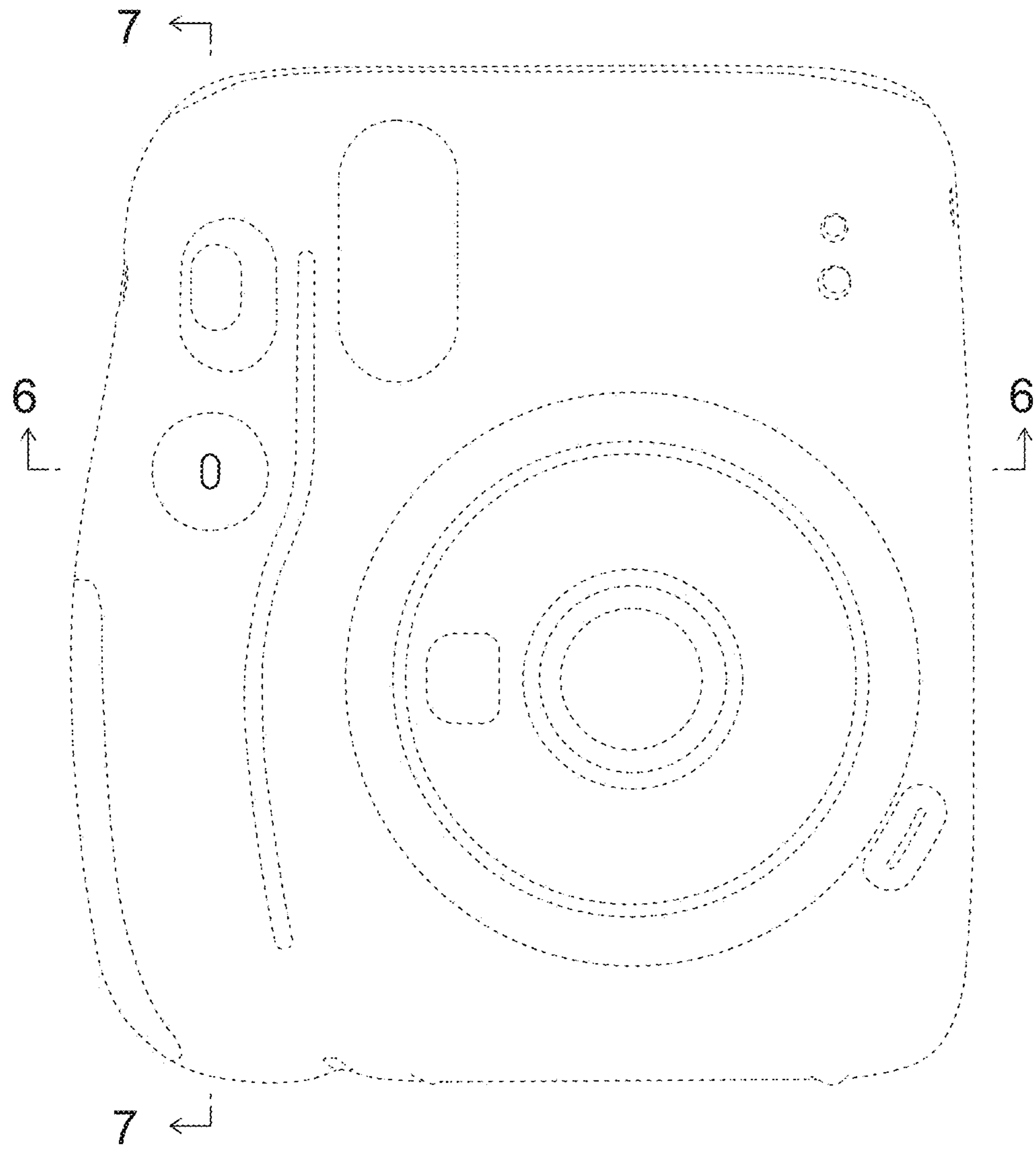


FIG. 3

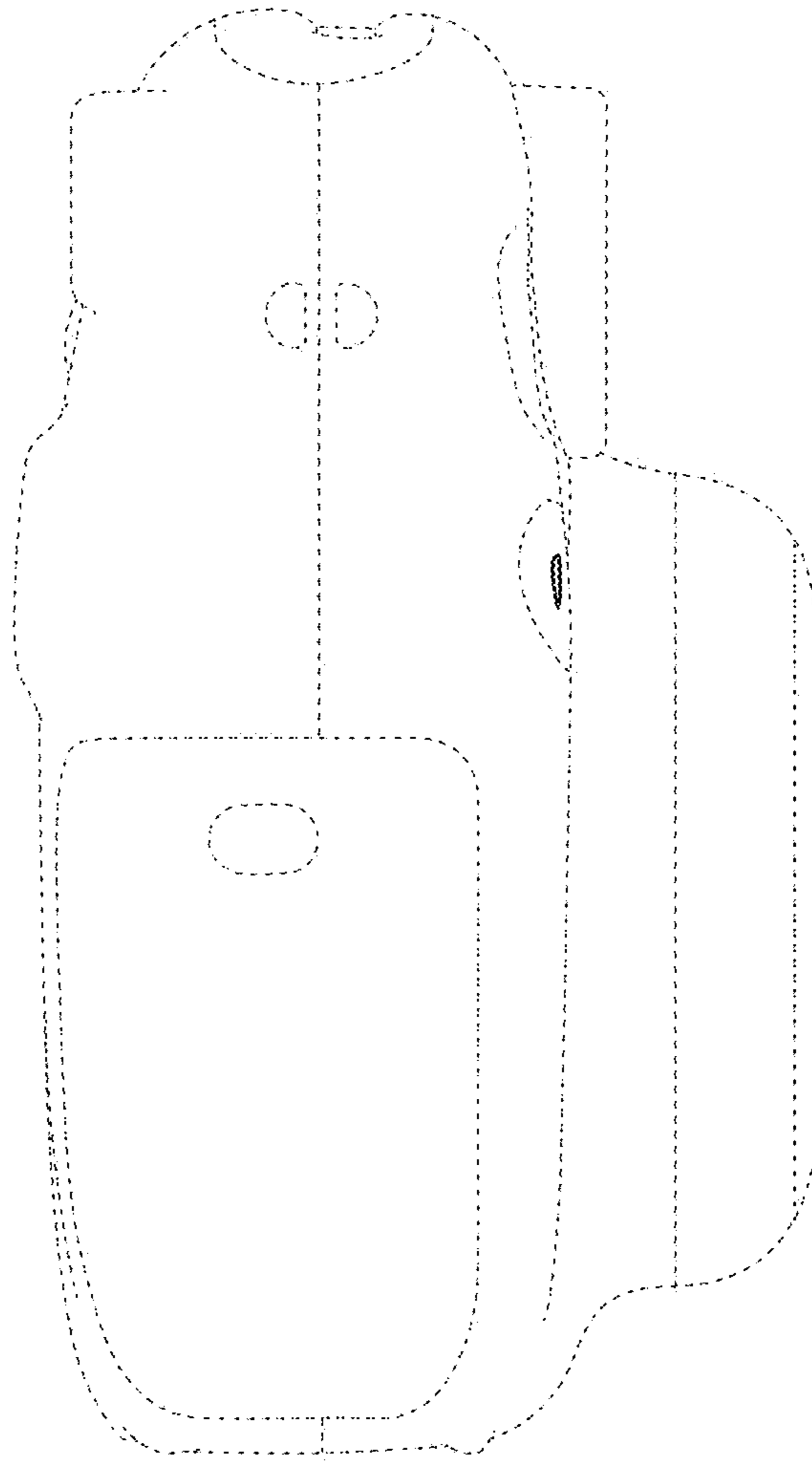


FIG. 4

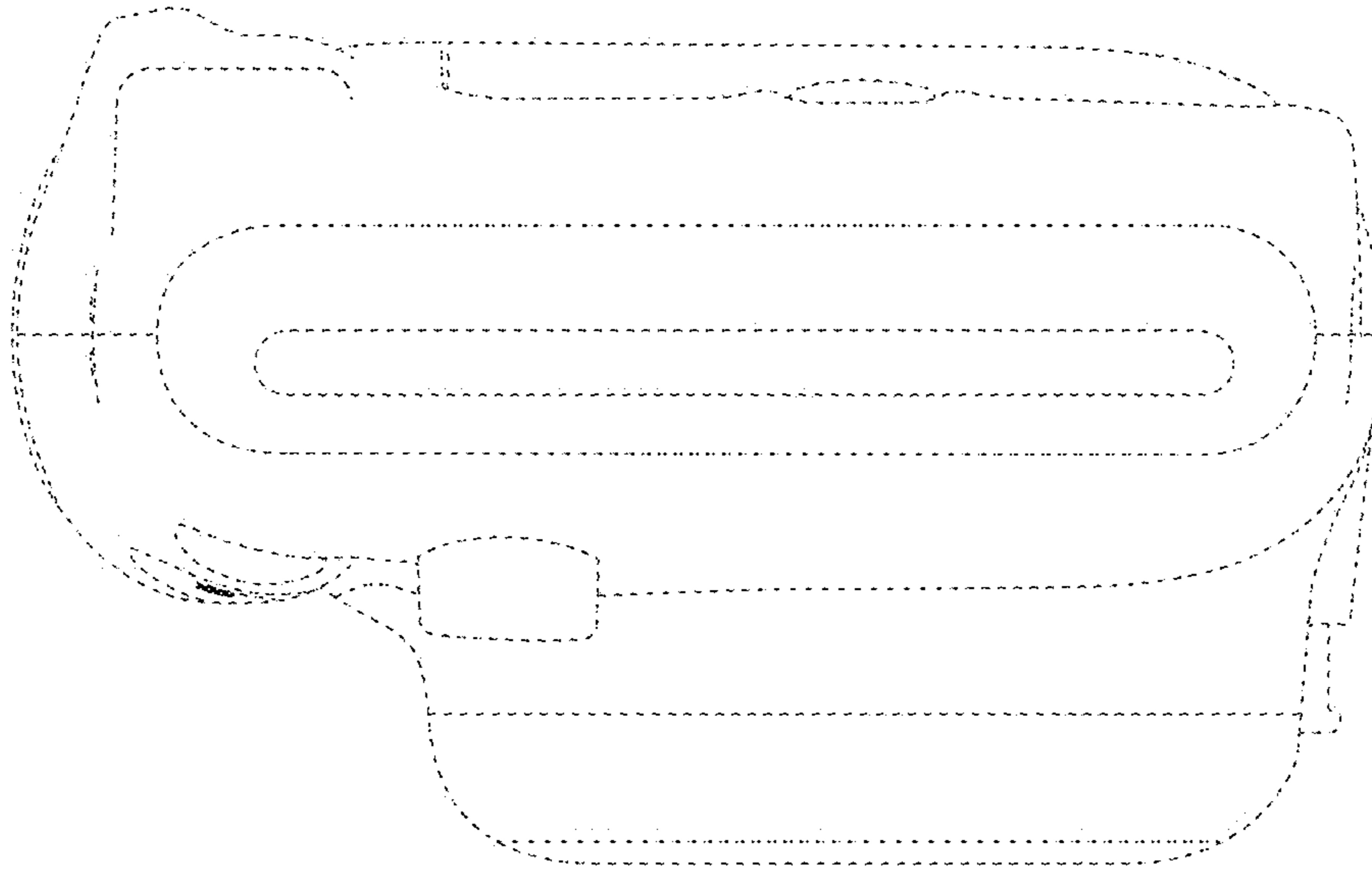


FIG. 5

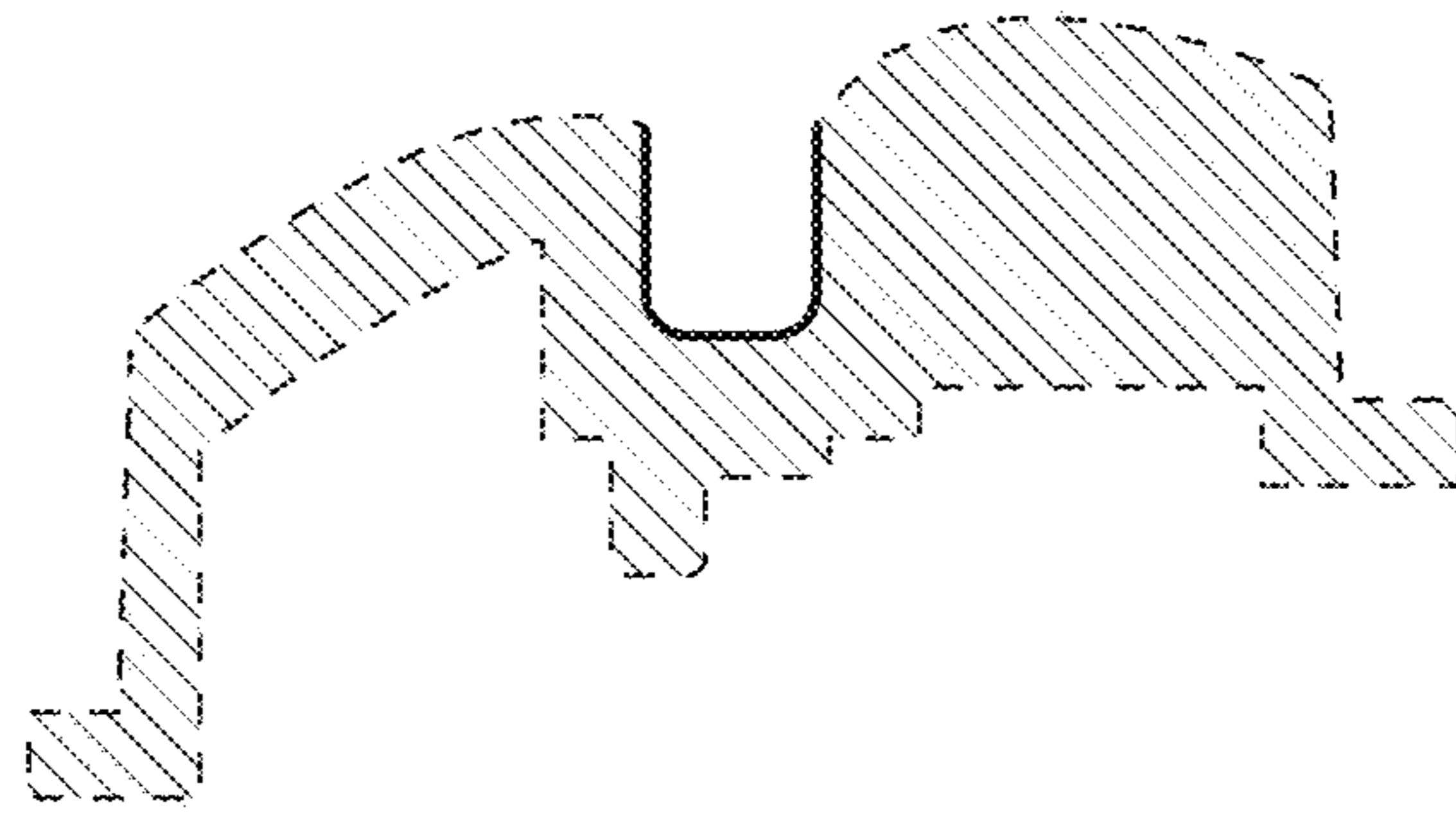


FIG. 6

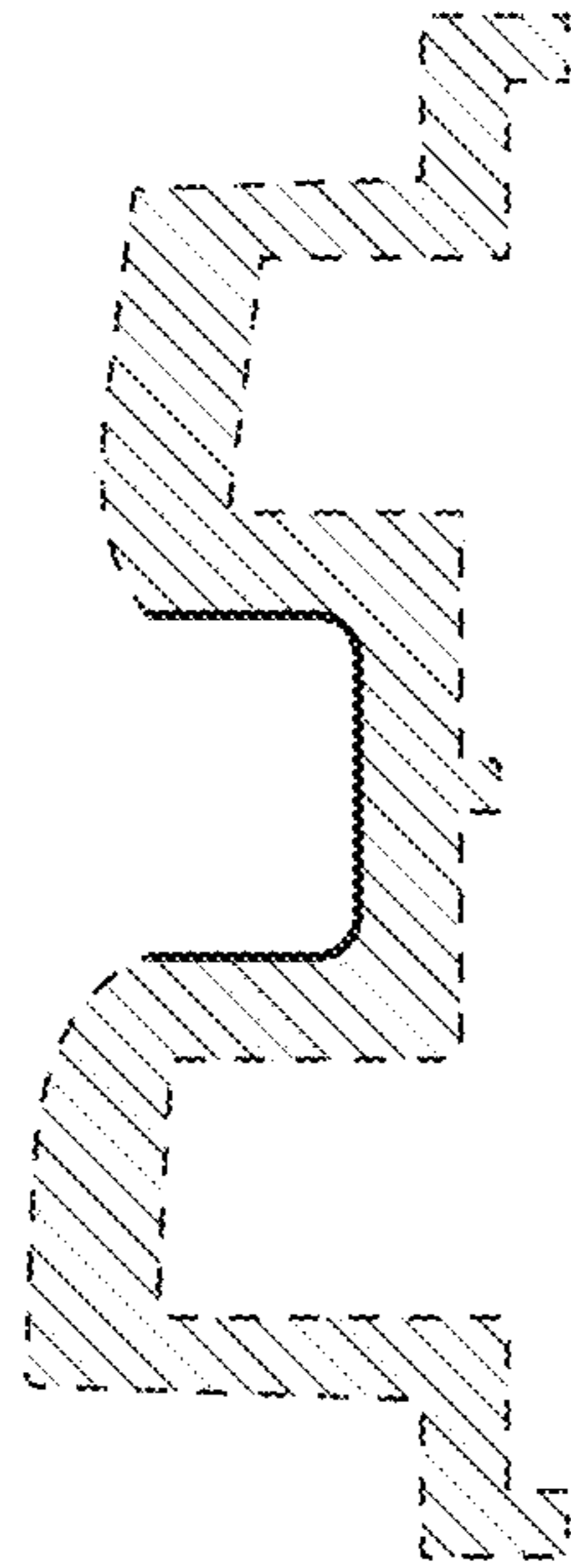


FIG. 7