



US00D985648S

(12) **United States Design Patent**
Sardi

(10) **Patent No.:** **US D985,648 S**

(45) **Date of Patent:** **** May 9, 2023**

(54) **MICROSCOPE**

(71) Applicant: **Tschudin GmbH Grenchen**, Grenchen
(CH)

(72) Inventor: **Enrique Luis Sardi**, Milan (IT)

(73) Assignee: **Tschudin GmbH Grenchen**, Grenchen
(CH)

(**) Term: **15 Years**

(21) Appl. No.: **35/511,886**

(22) Filed: **Nov. 16, 2020**

(80) **Hague Agreement Data**

Int. Filing Date: **Nov. 16, 2020**

Int. Reg. No.: **DM/211440**

Int. Reg. Date: **Nov. 16, 2020**

Int. Reg. Pub. Date: **May 21, 2021**

(51) **LOC (14) Cl.** **16-06**

(52) **U.S. Cl.**
USPC **D16/133**

(58) **Field of Classification Search**
USPC D16/130–136
CPC G02B 23/16
See application file for complete search history.

(56) **References Cited**

U.S. PATENT DOCUMENTS

D222,621 S * 11/1971 Sherman D16/131
D234,268 S * 2/1975 Burrige D16/131
D290,129 S * 6/1987 Kahute D16/131
D387,366 S * 12/1997 Akabane D16/131

D476,020 S * 6/2003 Chih D10/46
D498,247 S * 11/2004 Suzuki D16/131
D516,595 S * 3/2006 Apotheloz D16/131
D577,047 S * 9/2008 Apotheloz D16/131
D668,699 S * 10/2012 Au D16/131
D681,088 S * 4/2013 Funakoshi D16/131
D681,089 S * 4/2013 Au D16/131
D849,816 S * 5/2019 Klein D16/131
D859,487 S * 9/2019 Chen D16/131
D865,833 S * 11/2019 Chen D16/131
D866,629 S * 11/2019 Chen D16/131
D866,630 S * 11/2019 Chen D16/131
D909,443 S * 2/2021 Chen D16/131
D933,731 S * 10/2021 Chen D16/131

* cited by examiner

Primary Examiner — Holly E Thurman

(74) *Attorney, Agent, or Firm* — Banner & Witcoff Ltd.

(57) **CLAIM**

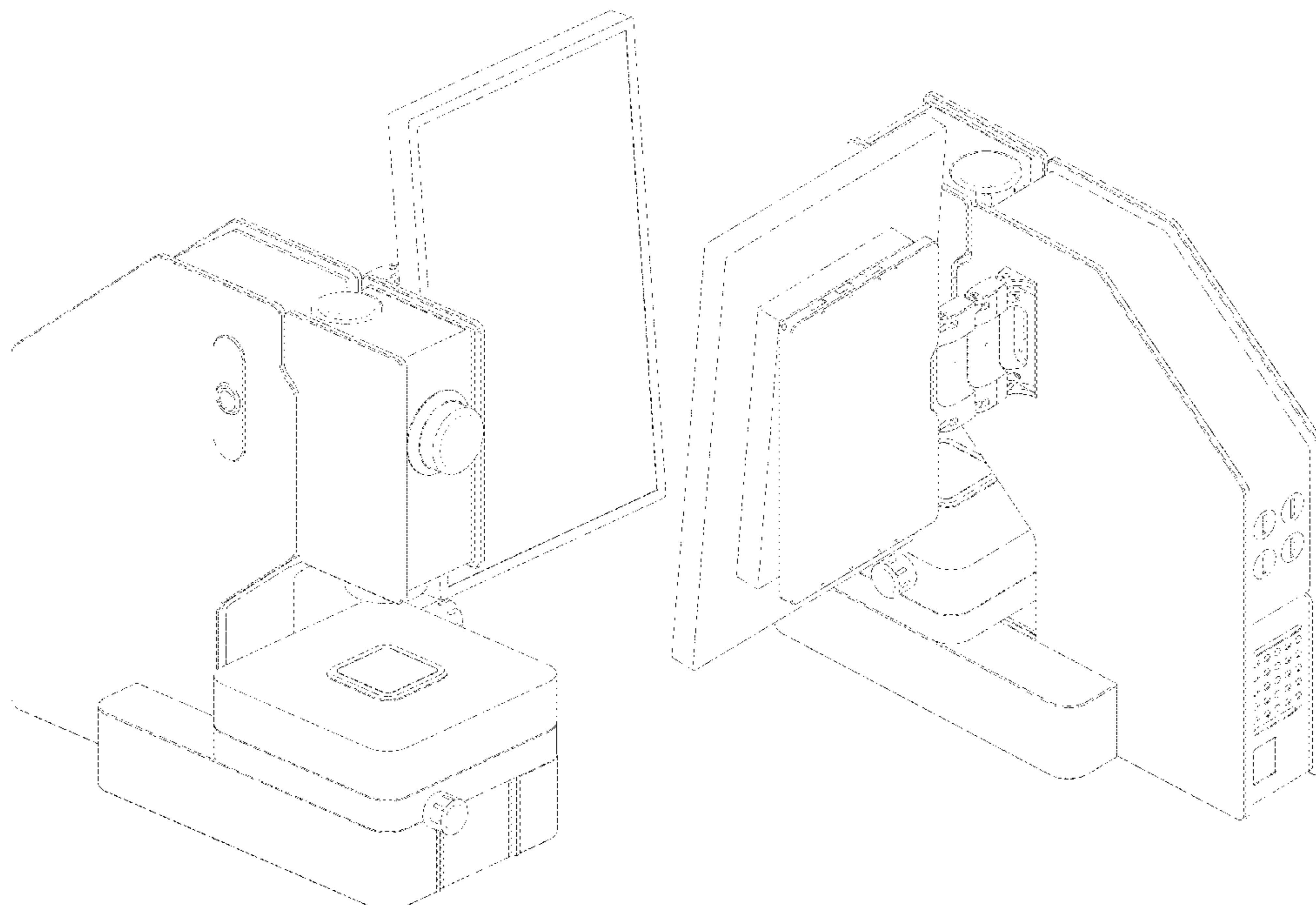
The ornamental design for a microscope, as shown and described.

DESCRIPTION

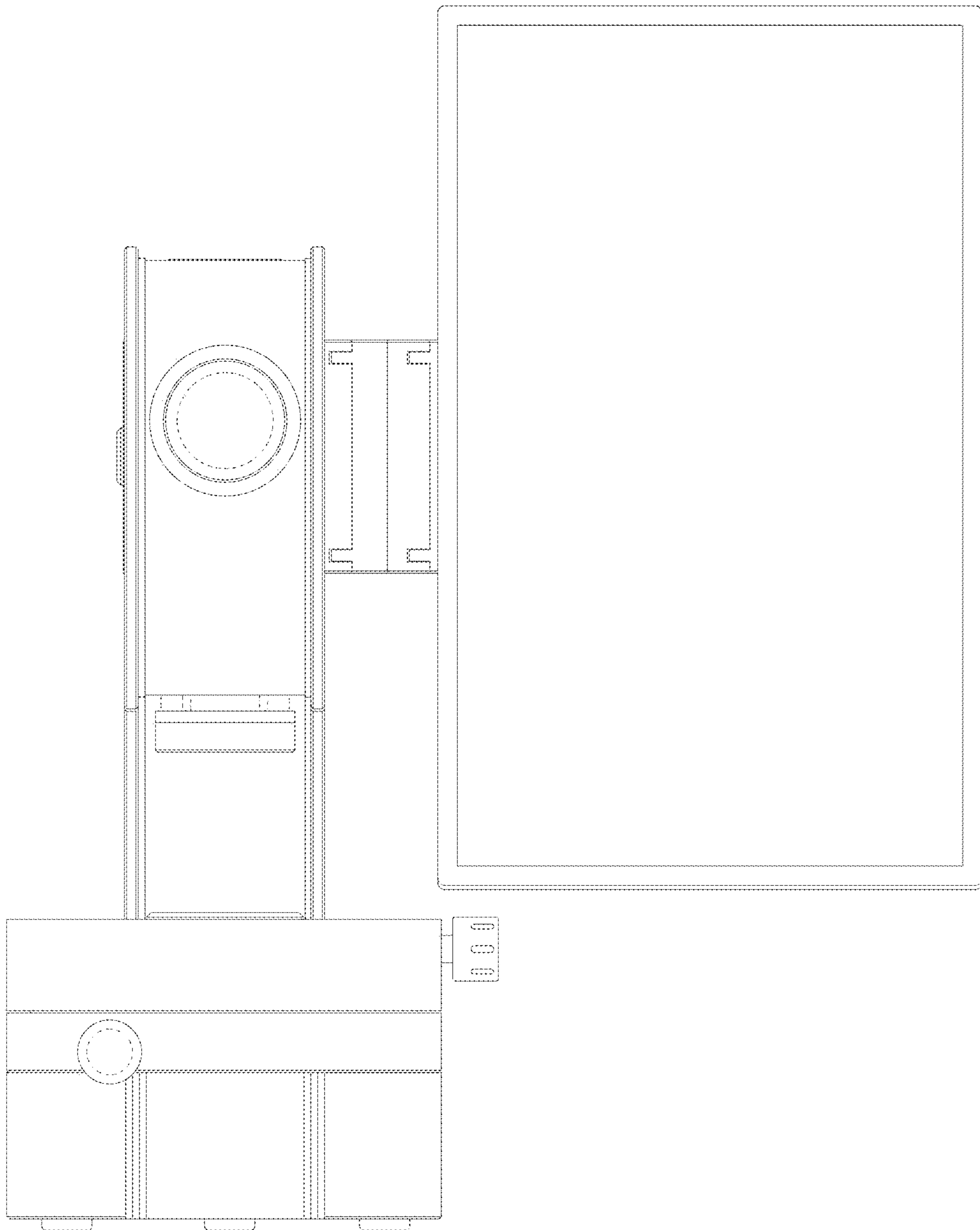
- 1. Microscope
- 1.1 : Front
- 1.2 : Right
- 1.3 : Top
- 1.4 : Bottom
- 1.5 : Perspective
- 1.6 : Perspective
- 1.7 : Perspective
- 1.8 : Perspective

The broken lines shown in the Reproductions represent portions of the microscope that form no part of the claimed design.

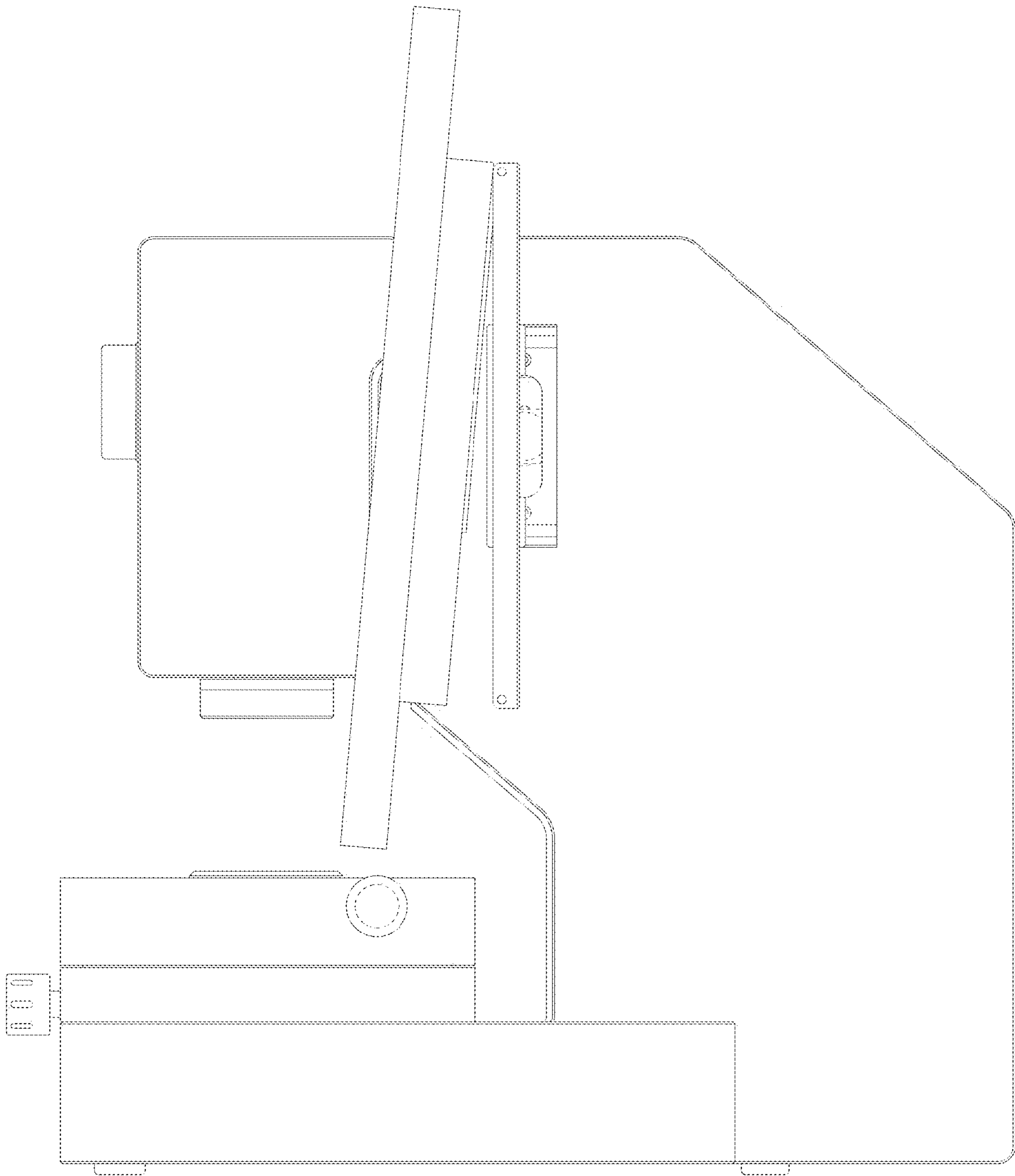
1 Claim, 8 Drawing Sheets



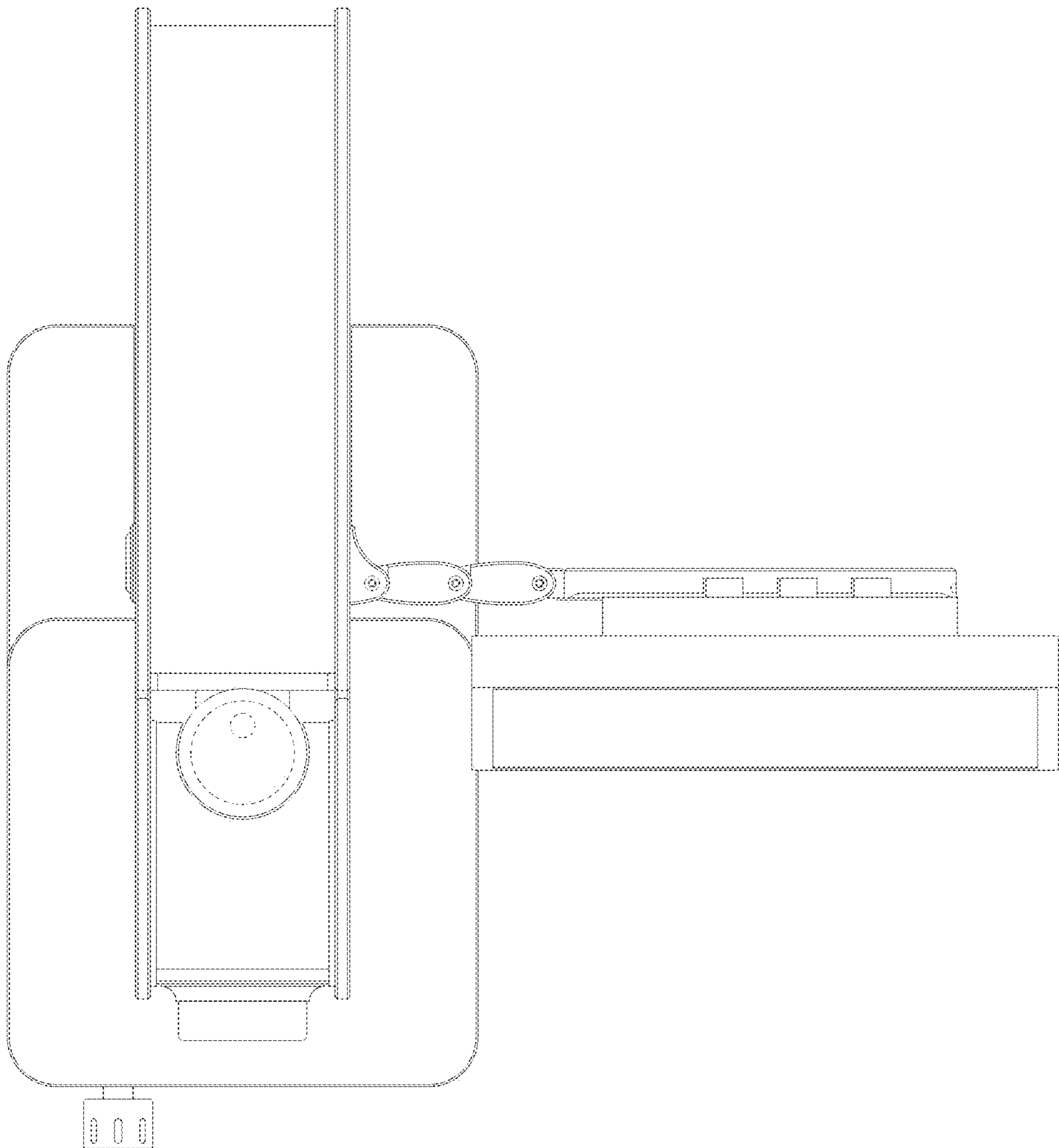
1.1



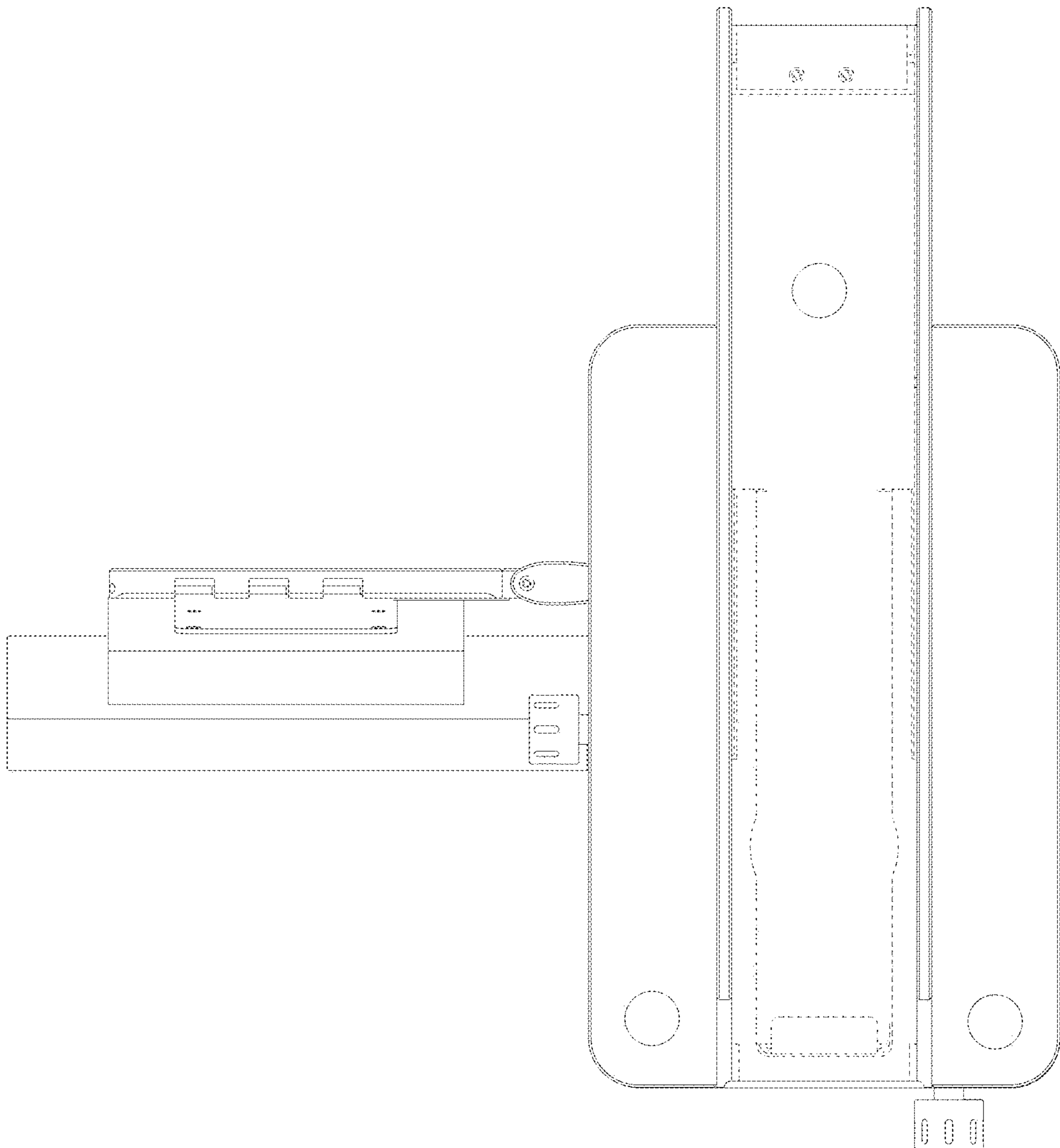
1.2



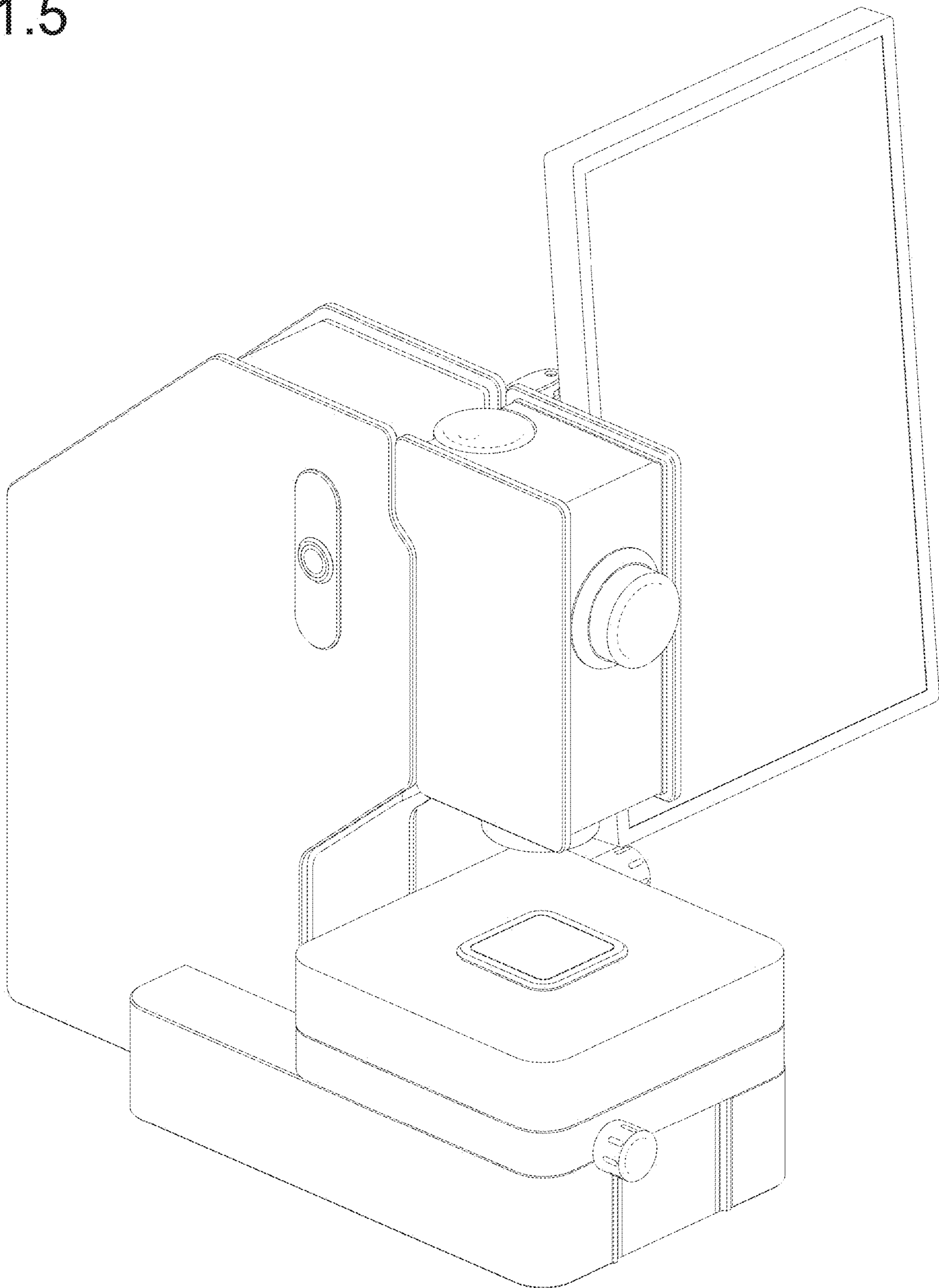
1.3



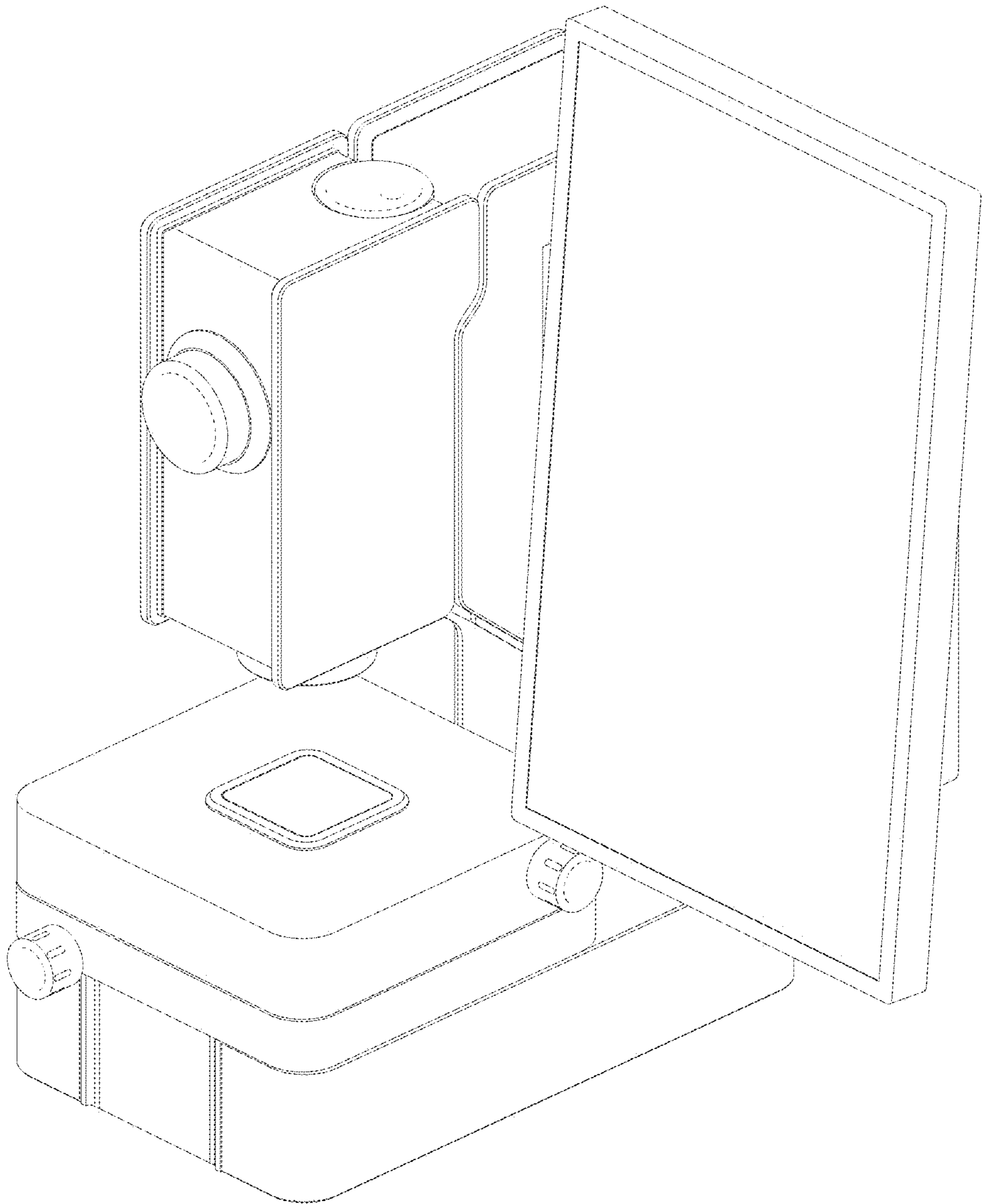
1.4



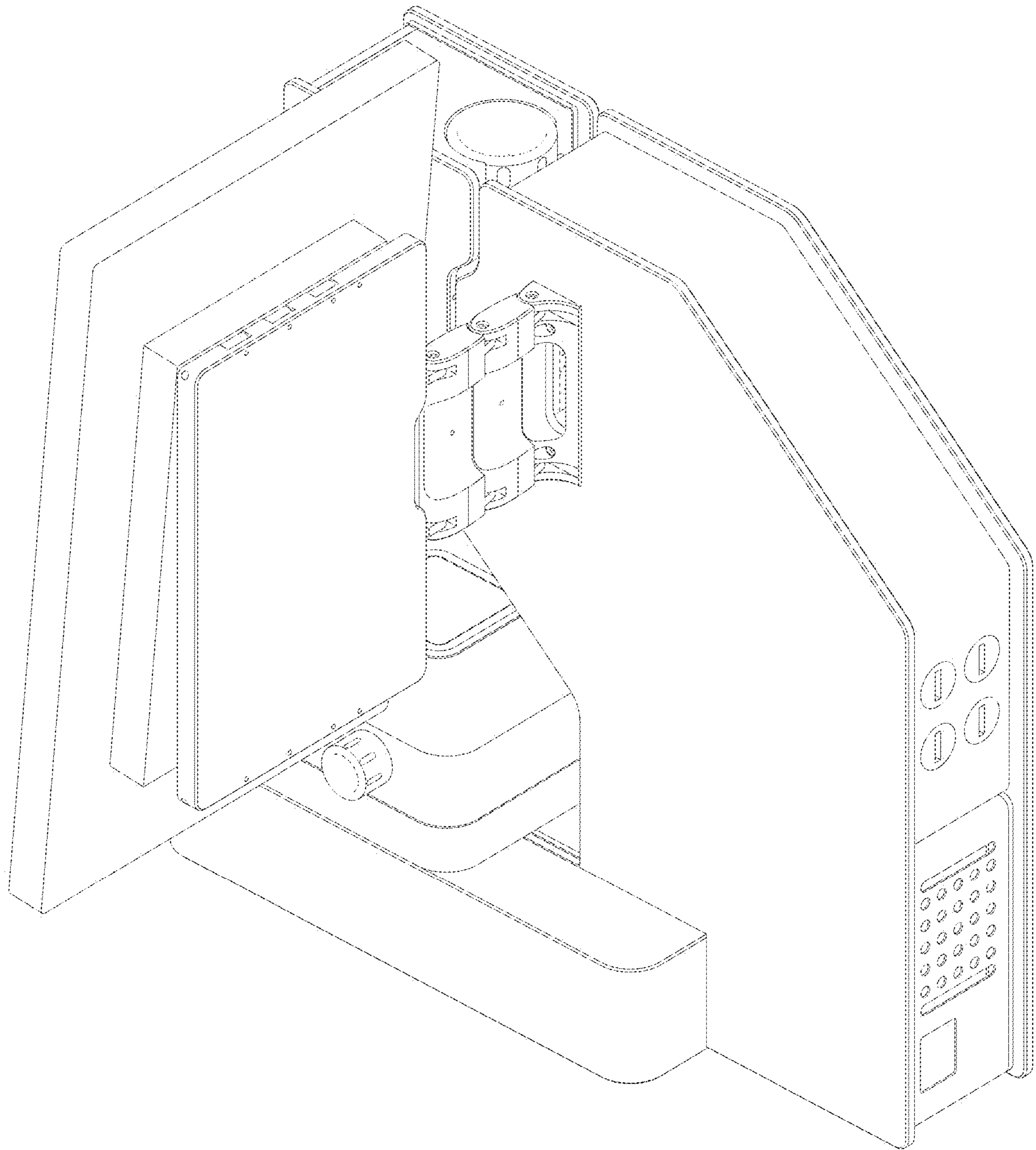
1.5



1.6



1.7



1.8

