



US00D985642S

(12) **United States Design Patent**
Wappler et al.

(10) **Patent No.:** **US D985,642 S**

(45) **Date of Patent:** **** May 9, 2023**

(54) **ROBOTIC ARM**

(71) Applicant: **AGILE ROBOTS AG**, Munich (DE)

(72) Inventors: **Fabian Wappler**, Gilching (DE);
Daniel Dürr, Gilching (DE)

(73) Assignee: **Agile Robots AG**, Gilching (DE)

(**) Term: **15 Years**

(21) Appl. No.: **29/652,342**

(22) Filed: **Jul. 23, 2020**

(30) **Foreign Application Priority Data**

Apr. 29, 2020 (EM) 007846712-0001
Apr. 29, 2020 (EM) 007846712-0002
Apr. 29, 2020 (EM) 007846712-0003

(51) **LOC (14) Cl.** **15-99**

(52) **U.S. Cl.**
USPC **D15/199**

(58) **Field of Classification Search**
USPC D15/122, 199; D21/578-583; D32/21;
D34/34
CPC B25J 9/046; B25J 9/042; B25J 9/06; H01L
21/67766
See application file for complete search history.

(56) **References Cited**

U.S. PATENT DOCUMENTS

D616,477 S * 5/2010 Long D15/199
D616,909 S * 6/2010 Long D15/199
D636,803 S * 4/2011 Nakagiri D15/199
D650,820 S * 12/2011 Long D15/199
D651,627 S * 1/2012 Long D15/199
D677,294 S * 3/2013 Long D15/199
D690,753 S * 10/2013 Liu D15/199
D692,041 S * 10/2013 Selic D15/199
D707,277 S * 6/2014 Olsson D15/199

D716,357 S * 10/2014 Gombert D15/199
D766,348 S * 9/2016 Long D15/199
D776,178 S * 1/2017 Ries D15/199
D802,041 S * 11/2017 He D15/199
D830,439 S * 10/2018 Park D15/199
D837,853 S * 1/2019 Deng D15/199
D841,065 S * 2/2019 Hontani D15/199
D841,712 S * 2/2019 Hontani D15/199
D852,862 S * 7/2019 Dosho D15/199
D852,863 S * 7/2019 Dosho D15/199
D865,828 S * 11/2019 Bogart D15/199
D870,169 S * 12/2019 Dosho D15/199
D873,878 S * 1/2020 Vazquez D15/199
D874,530 S * 2/2020 Haddadin D15/199
D877,787 S * 3/2020 Kinoshita D15/199
D885,452 S * 5/2020 Haddadin D15/199
D892,889 S * 8/2020 Random D15/199
D905,774 S * 12/2020 Inoue D15/199

(Continued)

Primary Examiner — Patricia A Palasik

(74) *Attorney, Agent, or Firm* — Sutton Magidoff
Barkume LLP

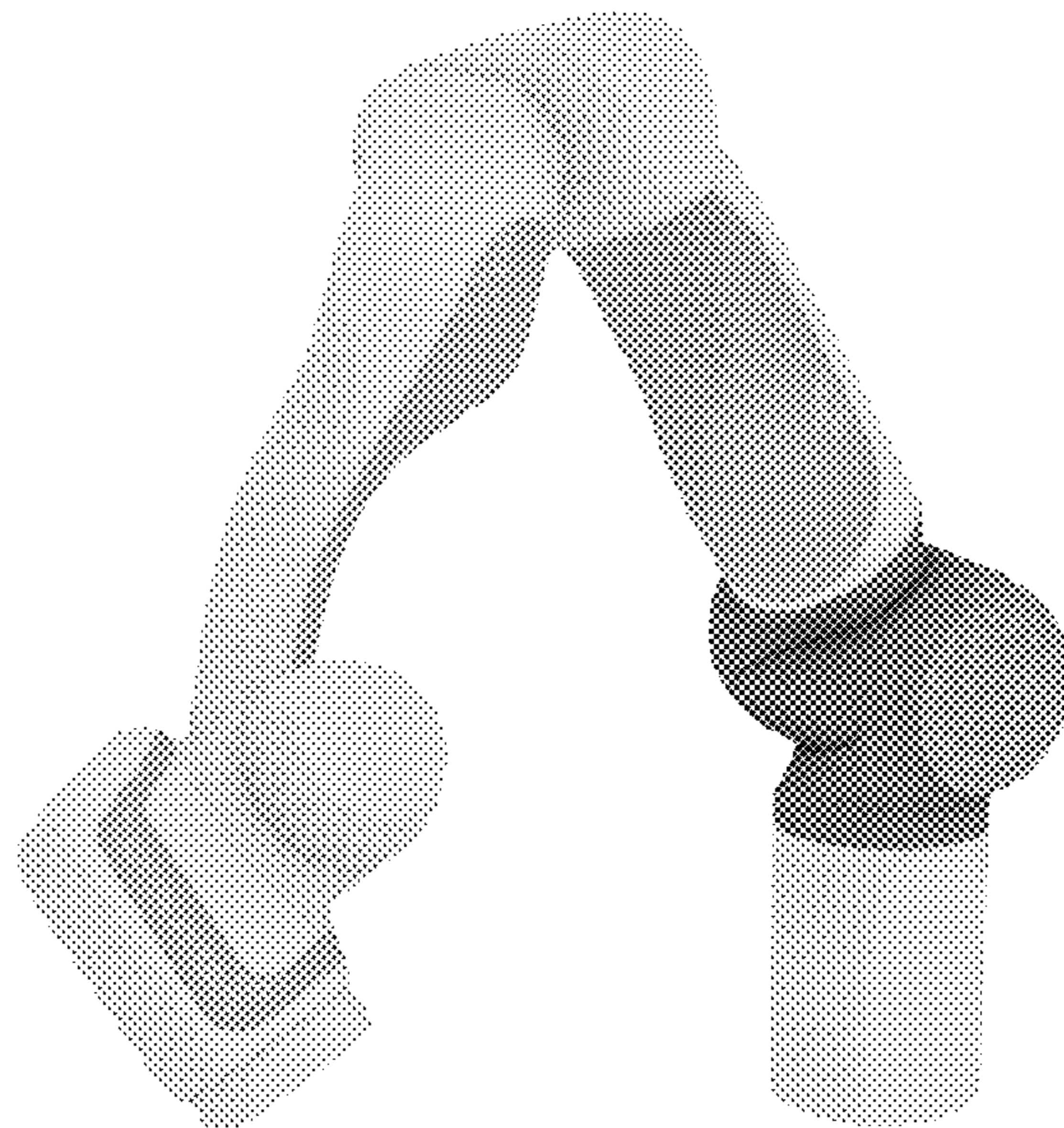
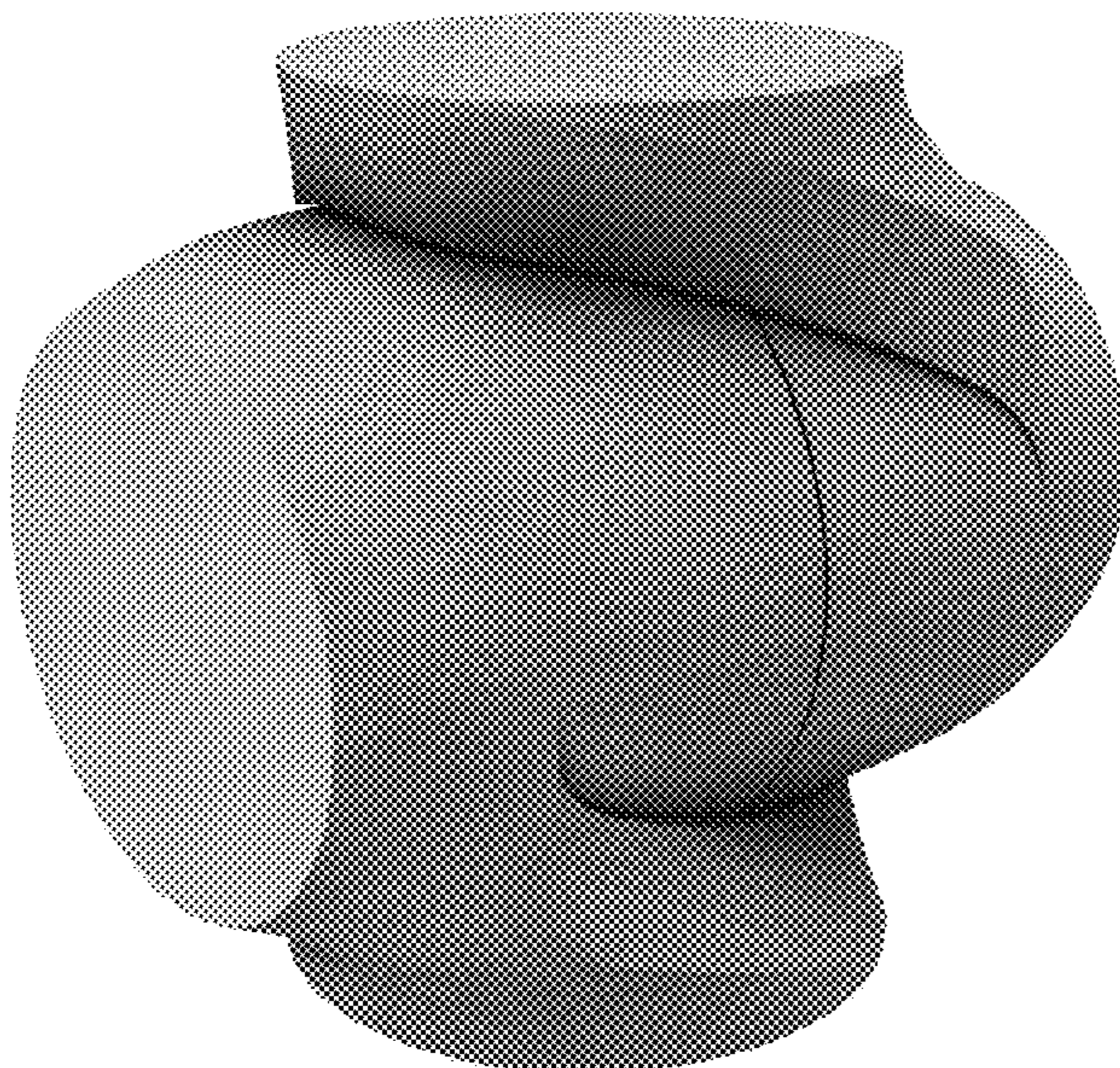
(57) **CLAIM**

The ornamental design for a robotic arm, as shown and described.

DESCRIPTION

FIG. 1 is a back view of the lower joint of a robotic arm showing our new design;
FIG. 2 is a front view thereof;
FIG. 3 is a perspective view thereof;
FIG. 4 is a left view thereof;
FIG. 5 is a right view thereof;
FIG. 6 is a perspective view thereof in context;
FIG. 7 is a top view thereof; and,
FIG. 8 is a bottom view thereof.
The portions of the robotic arm, shown overexposed in FIG. 6 is for the purpose of illustrating environment that forms no part of the claimed design.

1 Claim, 4 Drawing Sheets



(56)

References Cited

U.S. PATENT DOCUMENTS

D915,487 S *	4/2021	Sell	D15/199
2013/0255426 A1 *	10/2013	Kassow	B25J 18/00 74/490.03
2015/0127151 A1 *	5/2015	Riedel	B25J 9/1643 700/250
2016/0016320 A1 *	1/2016	Rothfuss	A61B 34/30 74/490.03

* cited by examiner

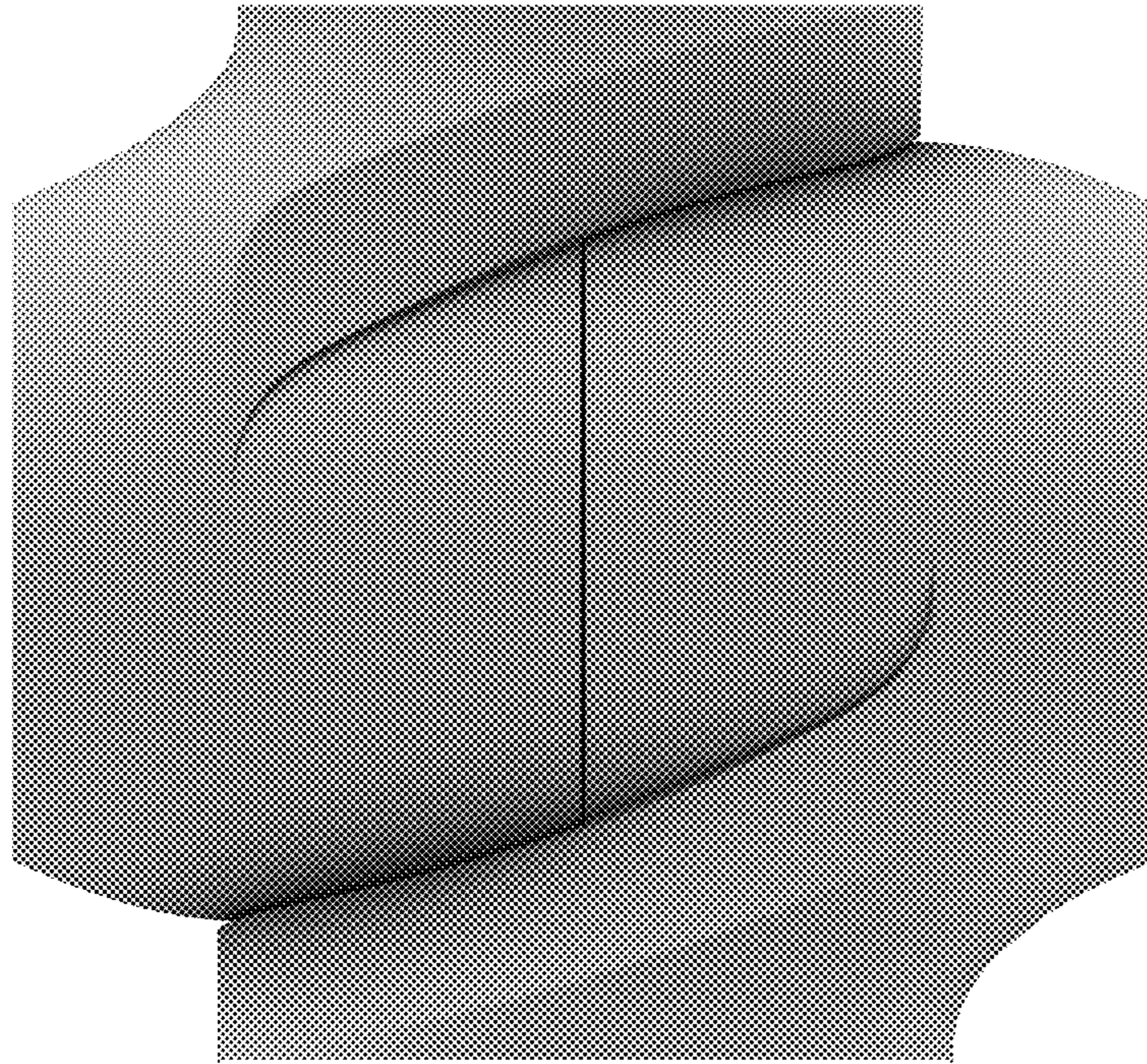


Fig. 1

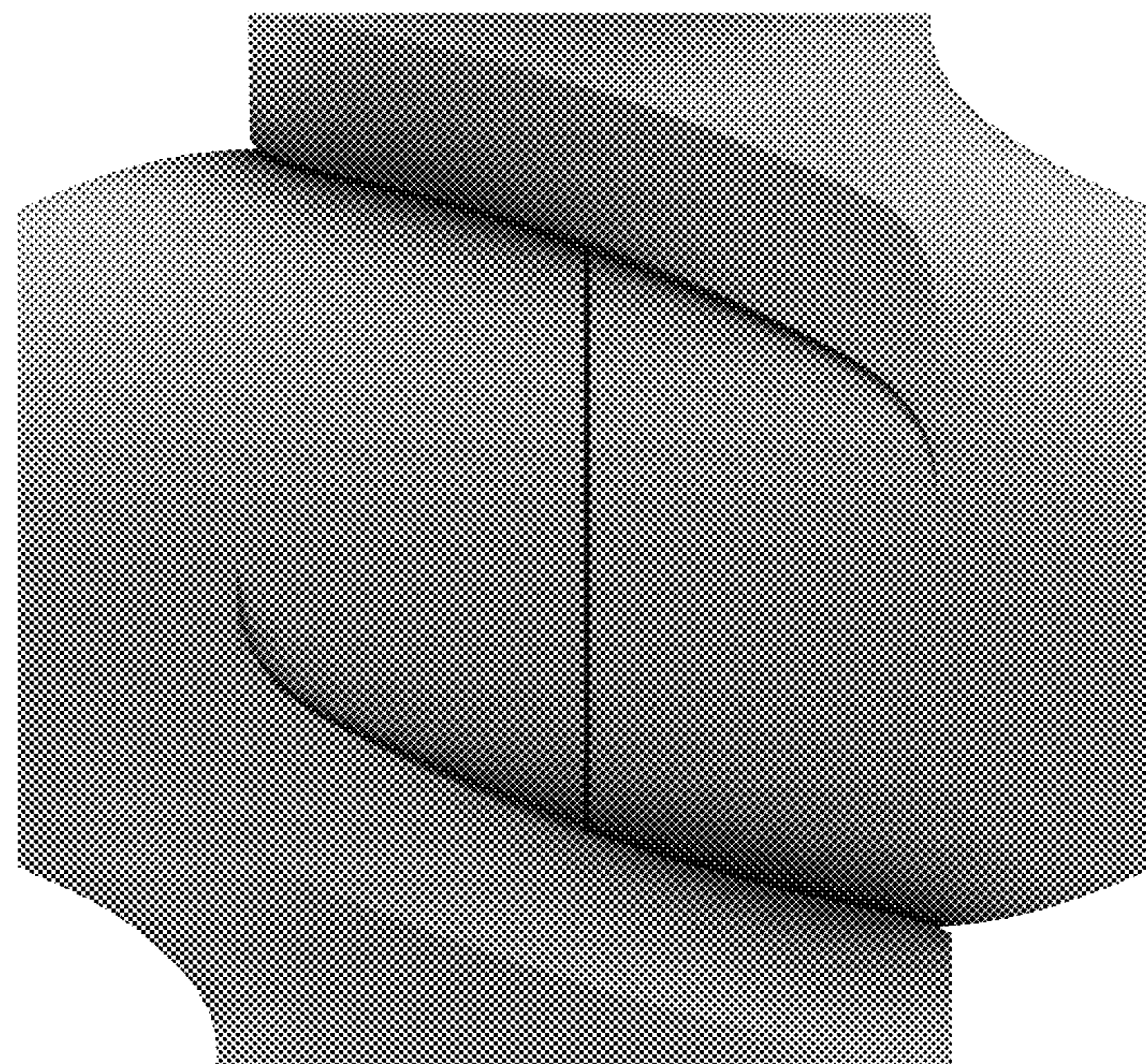


Fig. 2

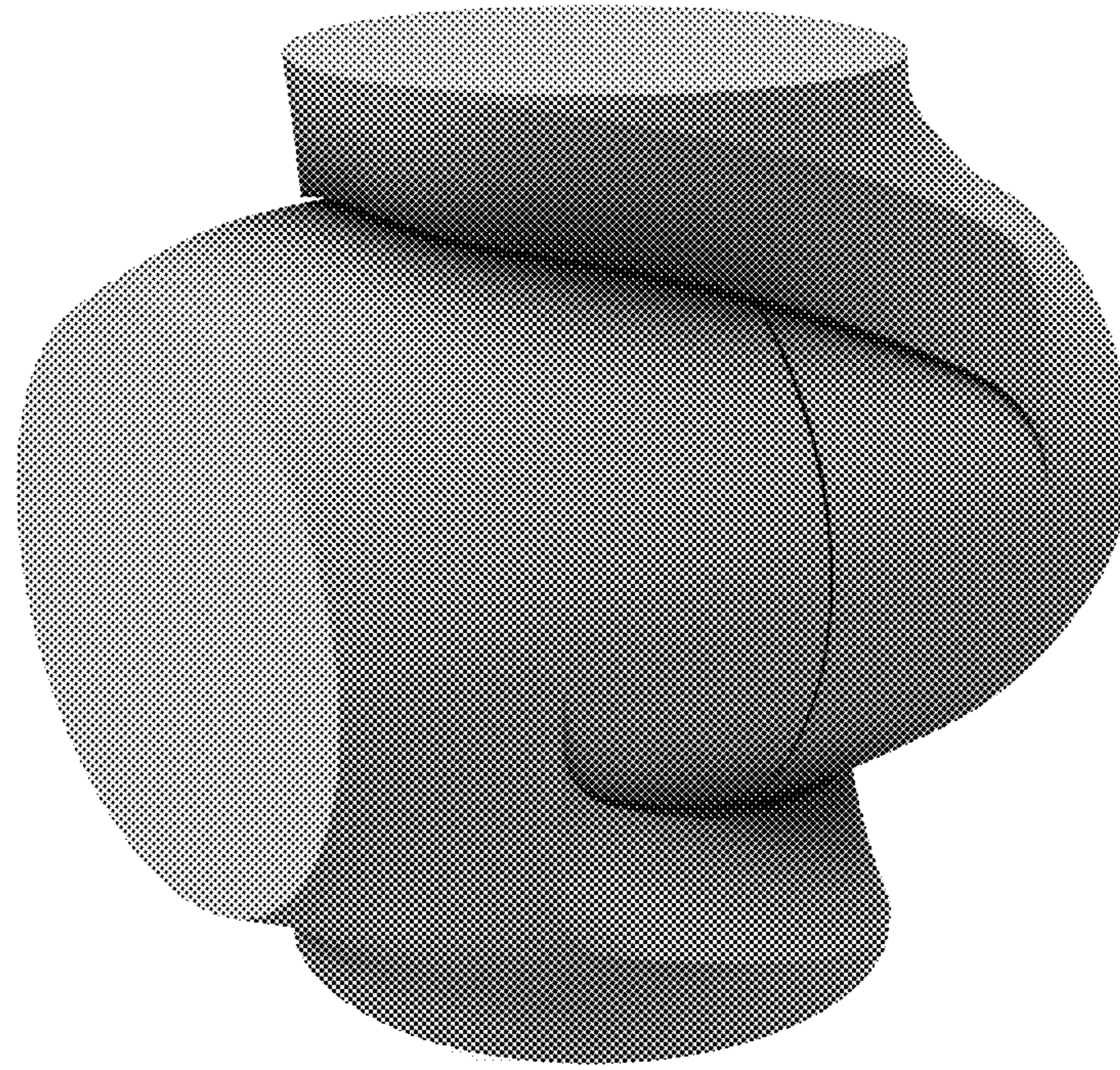


Fig. 3

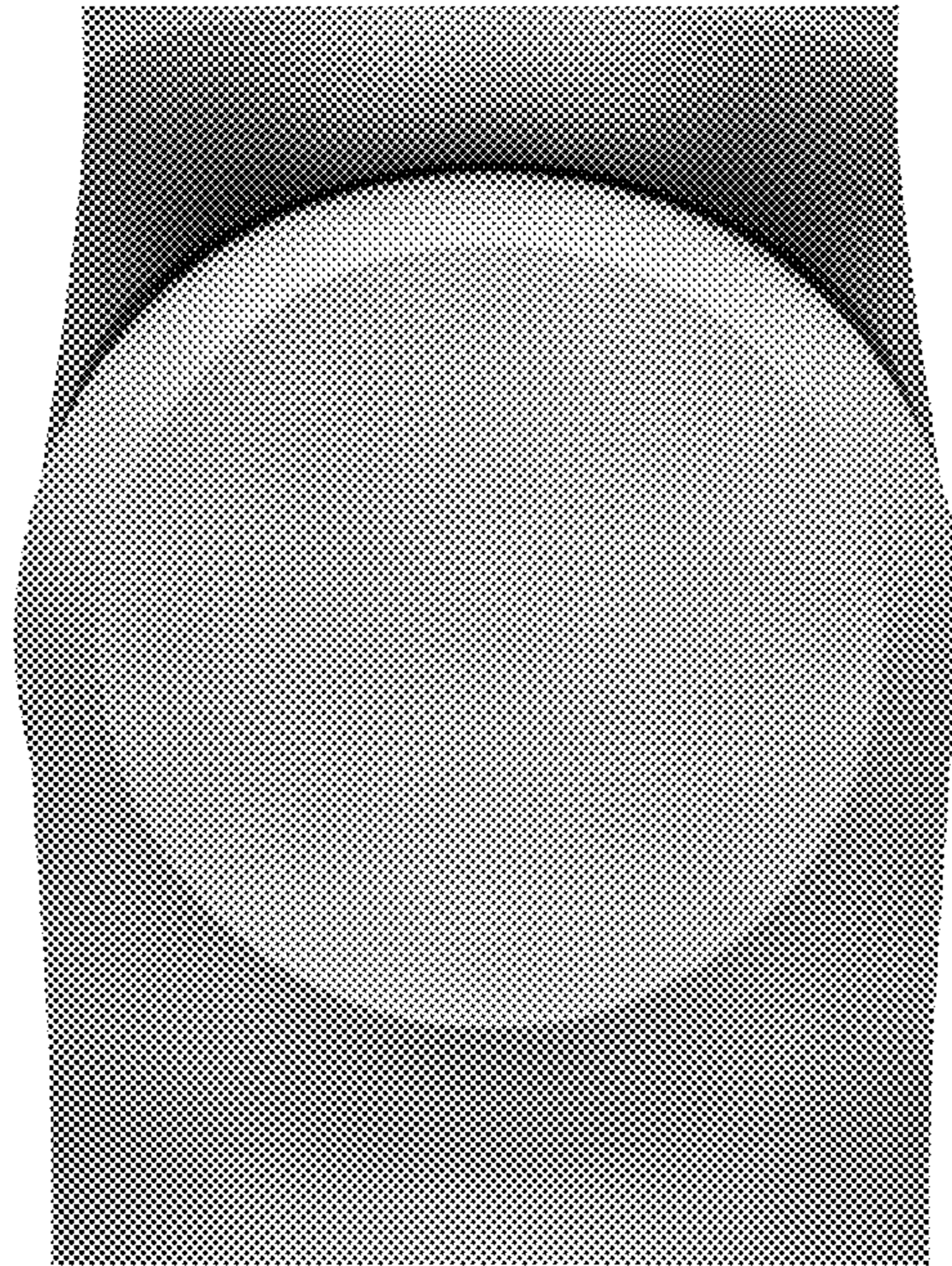


Fig. 4

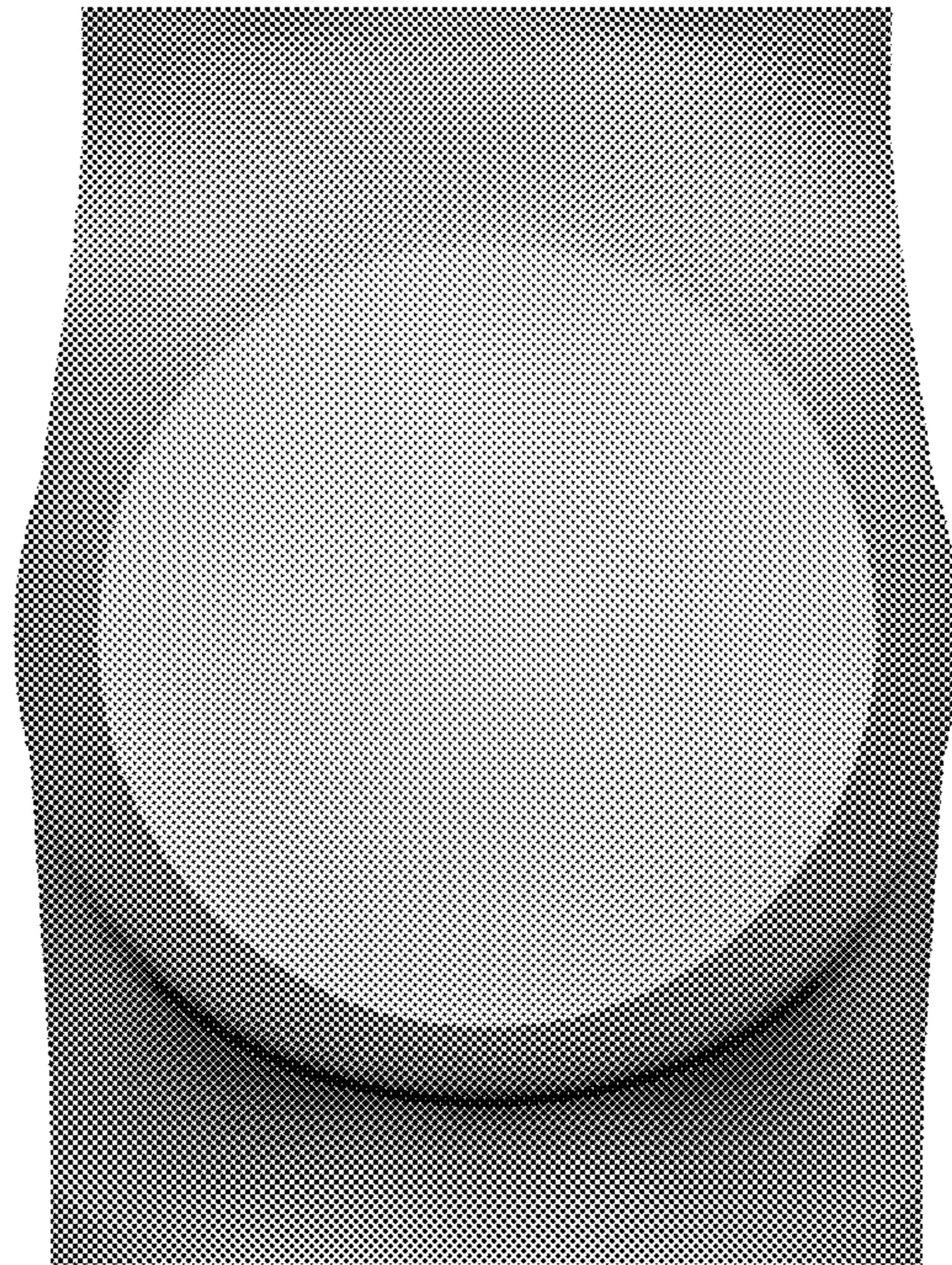


Fig. 5

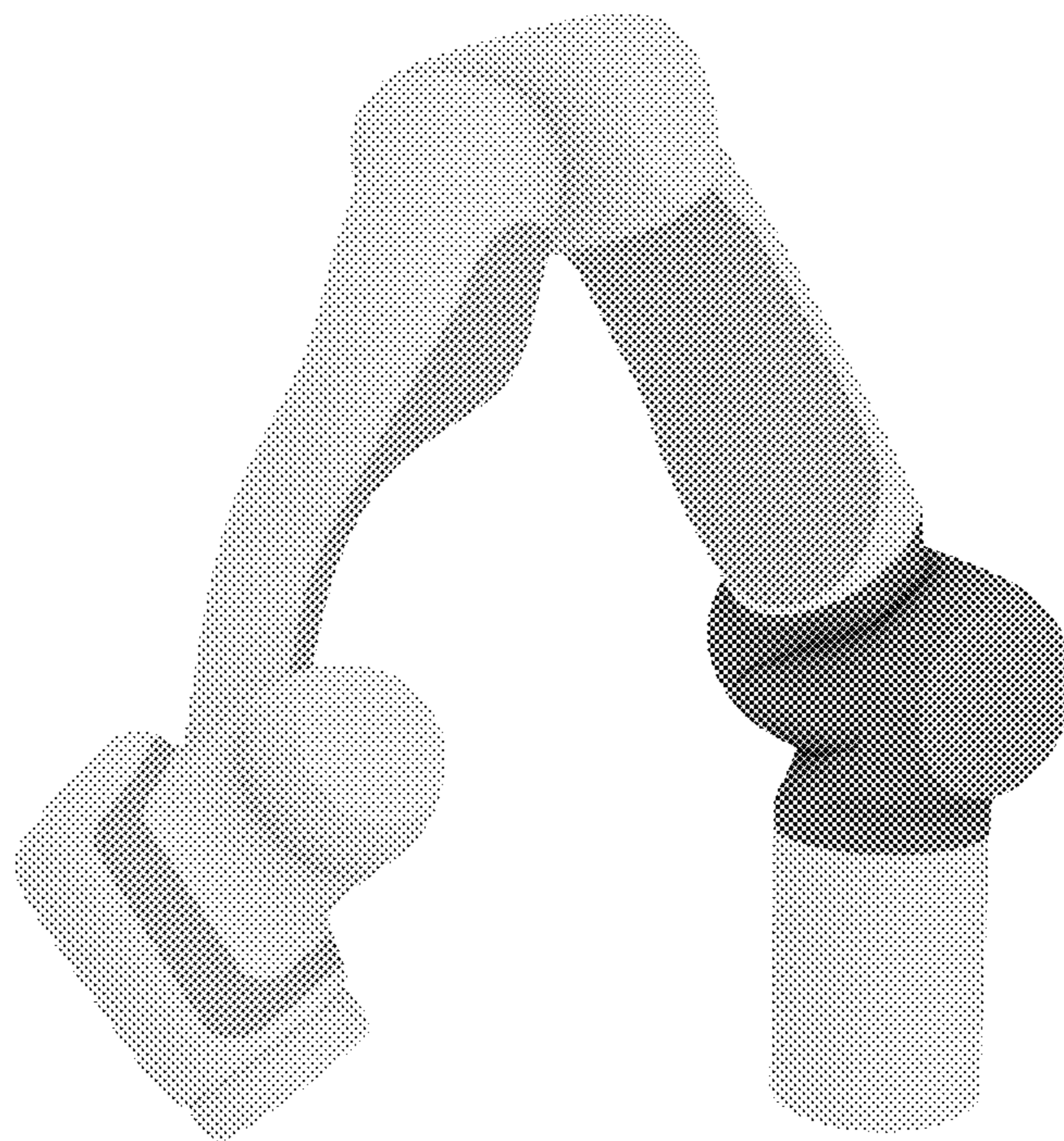


Fig. 6

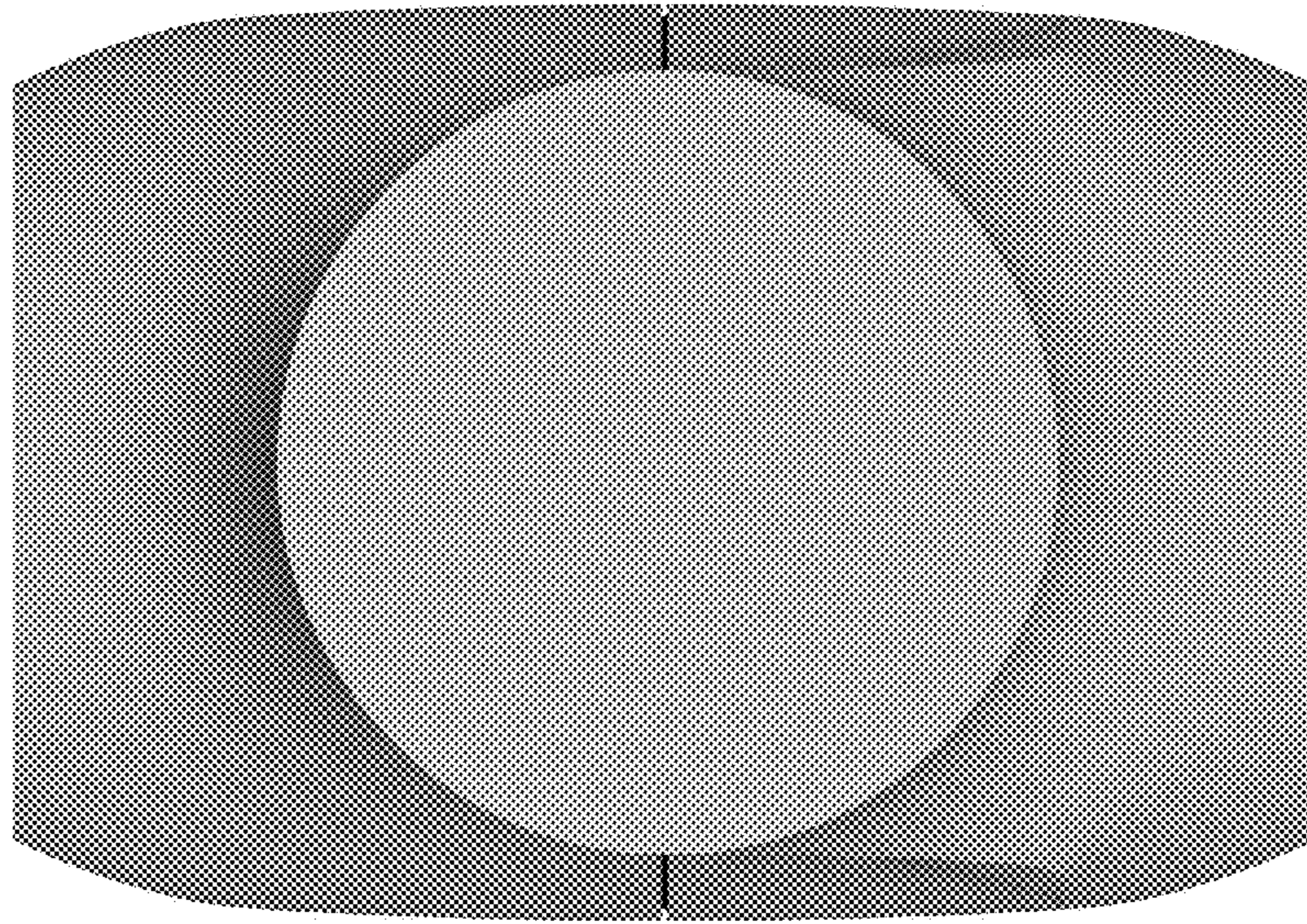


Fig. 7

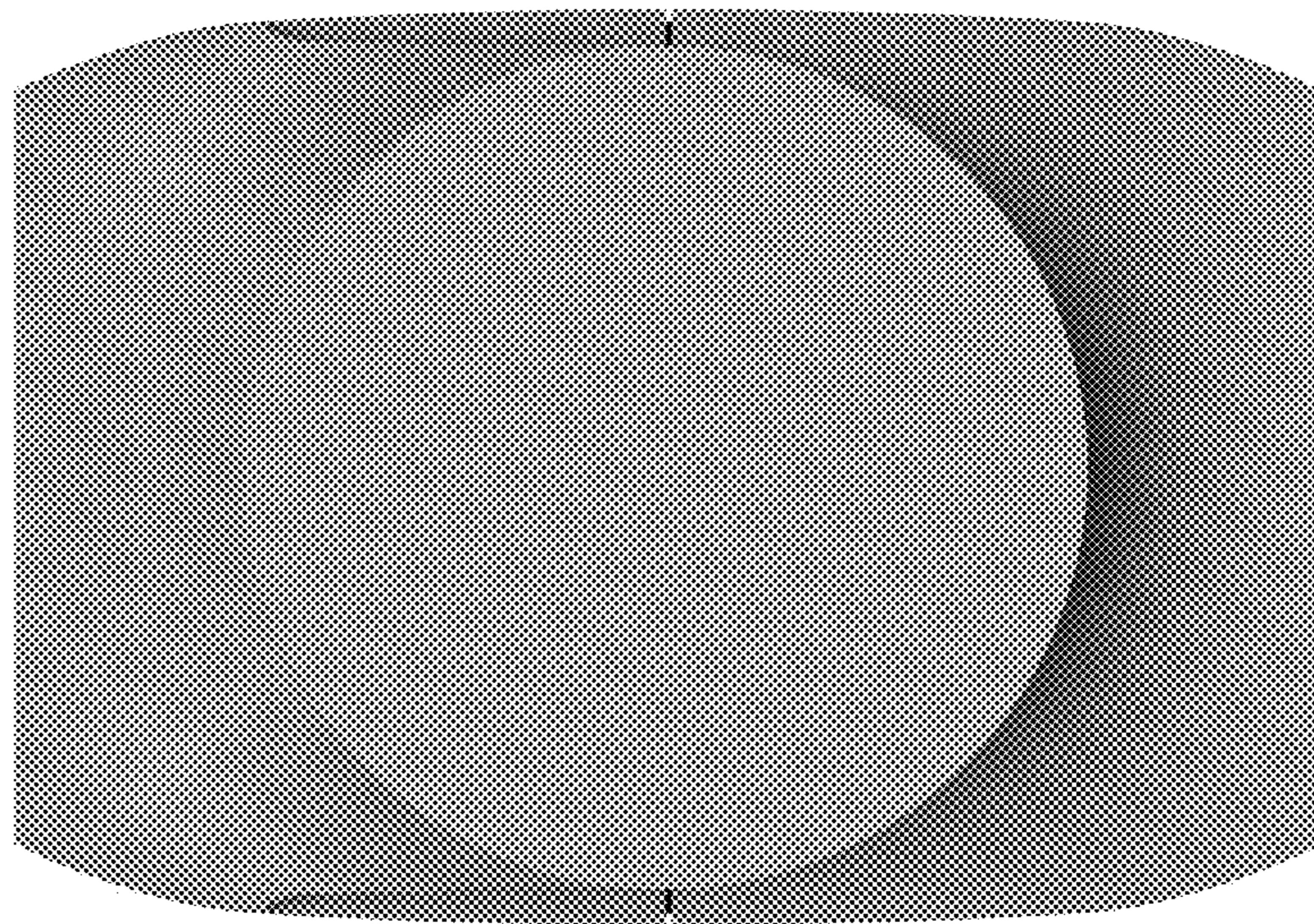


Fig. 8