



US00D985641S

(12) **United States Design Patent**
Royer et al.

(10) **Patent No.:** **US D985,641 S**

(45) **Date of Patent:** **** May 9, 2023**

(54) **ACTUATOR**

(71) Applicant: **Parker-Hannifin Corporation**,
Cleveland, OH (US)

(72) Inventors: **Matthew C. Royer**, Zimmerman, MN
(US); **James R. Prazak**, St. Paul, MN
(US)

(73) Assignee: **Parker-Hannifin Corporation**,
Cleveland, OH (US)

(**) Term: **15 Years**

(21) Appl. No.: **29/782,516**

(22) Filed: **May 7, 2021**

(51) **LOC (14) Cl.** **15-09**

(52) **U.S. Cl.**
USPC **D15/148**

(58) **Field of Classification Search**
USPC D13/118, 158, 162, 184; D15/1-5, 7, 9,
D15/143, 148, 149, 199
CPC B66F 3/18; F16H 19/04; F16H 19/039;
H01F 7/066
See application file for complete search history.

(56) **References Cited**

U.S. PATENT DOCUMENTS

D137,967 S *	5/1944	Lear	254/103
D140,204 S *	1/1945	Lear	74/606 R
D140,211 S *	1/1945	Lear	D13/112
D140,493 S *	2/1945	Wehner	74/1 R
D140,589 S *	3/1945	Bruland	D12/345
D143,080 S *	12/1945	Lear et al.	D12/345
D412,918 S *	8/1999	Nagai	D15/199
6,892,625 B2 *	5/2005	Blackman	F16J 10/02 92/255
D521,598 S *	5/2006	Bates	D23/233
D521,599 S *	5/2006	Bates	D23/233
D523,880 S *	6/2006	Christensen	D15/143

D531,643 S *	11/2006	Tischler	D15/7
D589,543 S *	3/2009	Lin	D15/143
D600,179 S *	9/2009	Schulz	D12/180
D600,180 S *	9/2009	Schulz	D12/180
D623,201 S *	9/2010	Yu	D15/7
D624,098 S *	9/2010	Fukano	D15/143
D638,336 S *	5/2011	Kelpe	D12/180
D649,097 S *	11/2011	Hatano	D12/180
D653,182 S *	1/2012	Hatano	D12/180
8,161,742 B2 *	4/2012	Sweeney	F04B 35/045 60/476
D659,614 S *	5/2012	Kluck	D12/180
D665,433 S *	8/2012	Beam	D15/143
8,569,917 B2 *	10/2013	Tang	H02K 7/1166 310/68 B
D715,841 S *	10/2014	Comben	D15/143
D726,652 S *	4/2015	Maurer	D13/123
9,228,646 B2 *	1/2016	Geppert	F16H 25/12

(Continued)

Primary Examiner — Patricia A Palasik

(74) *Attorney, Agent, or Firm* — Renner, Otto, Boisselle
& Sklar, LLP

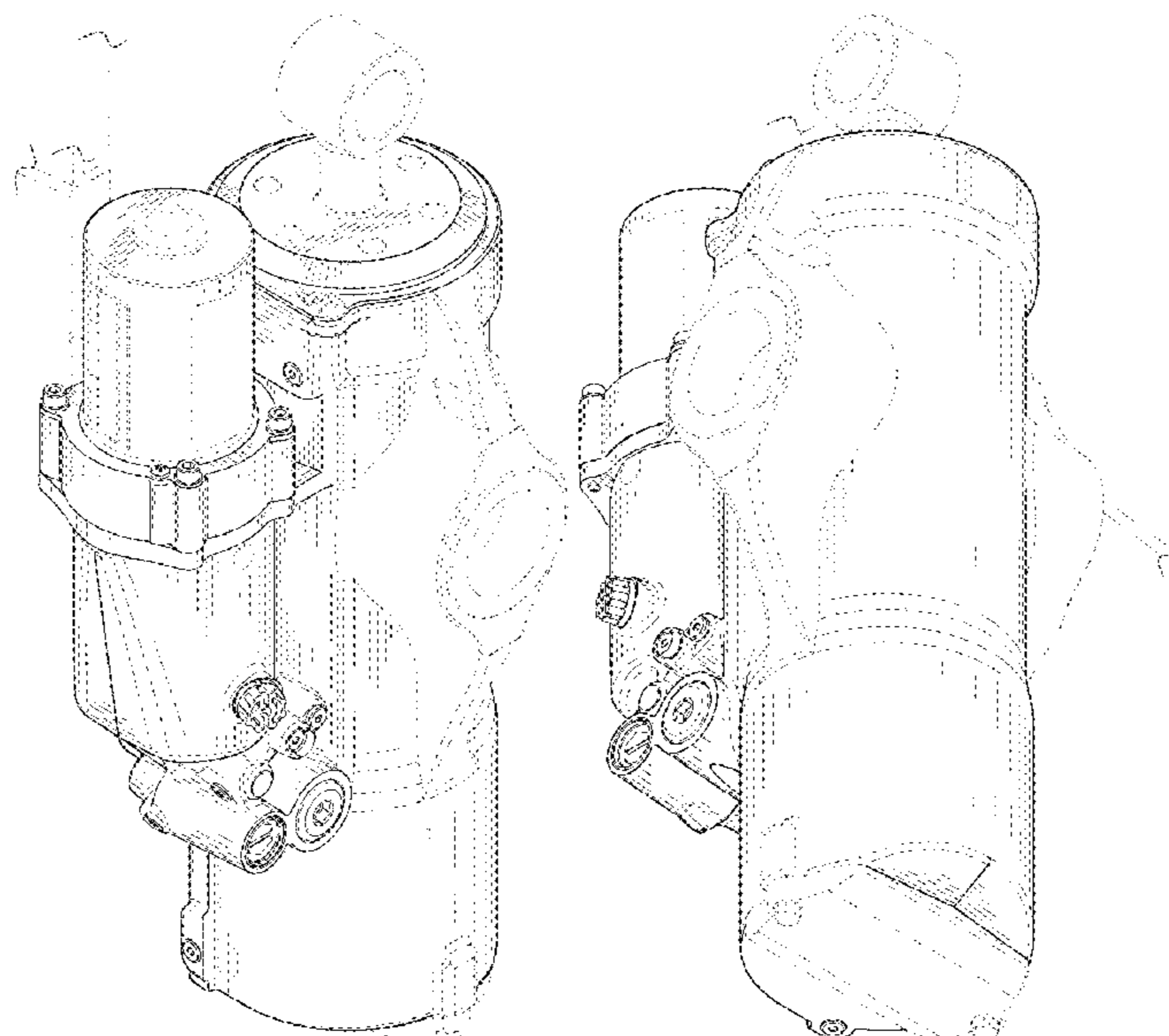
(57) **CLAIM**

The ornamental design for an actuator, as shown and described.

DESCRIPTION

FIG. 1 is a top, left, front perspective view of an actuator showing our new design;
FIG. 2 is a bottom, right, front perspective view thereof;
FIG. 3 is a left side elevation view thereof;
FIG. 4 is a right side elevation view thereof;
FIG. 5 is a rear elevation view thereof; and
FIG. 6 is a front elevation view thereof;
FIG. 7 is a top plan view thereof; and,
FIG. 8 is a bottom plan view thereof.
The broken line showing is for the purpose of illustrating portions of the actuator and forms no part of the claimed design.

1 Claim, 7 Drawing Sheets



(56)

References Cited

U.S. PATENT DOCUMENTS

9,404,545	B2 *	8/2016	Bohn	F04B 39/121
D776,729	S *	1/2017	Wu	D15/143
D778,968	S *	2/2017	Lück	D15/143
9,611,922	B2 *	4/2017	Kohlmeyer	F16H 25/20
9,726,202	B2 *	8/2017	Tsutsui	F04B 53/10
D819,101	S *	5/2018	Ishikawa	D15/148
D829,792	S *	10/2018	Matsutou	D15/148
D846,012	S *	4/2019	Ishikawa	D13/158
D851,147	S *	6/2019	Knudsen	D15/148
D855,670	S *	8/2019	Zhuang	D15/148
D856,279	S *	8/2019	Chen	D15/148
D860,278	S *	9/2019	Knudsen	D15/148
D872,149	S *	1/2020	Hirabayashi	D15/148
D912,709	S *	3/2021	Shen	D15/143
D925,631	S *	7/2021	Knudsen	D15/148
D947,799	S *	4/2022	Loussert	D13/174

* cited by examiner

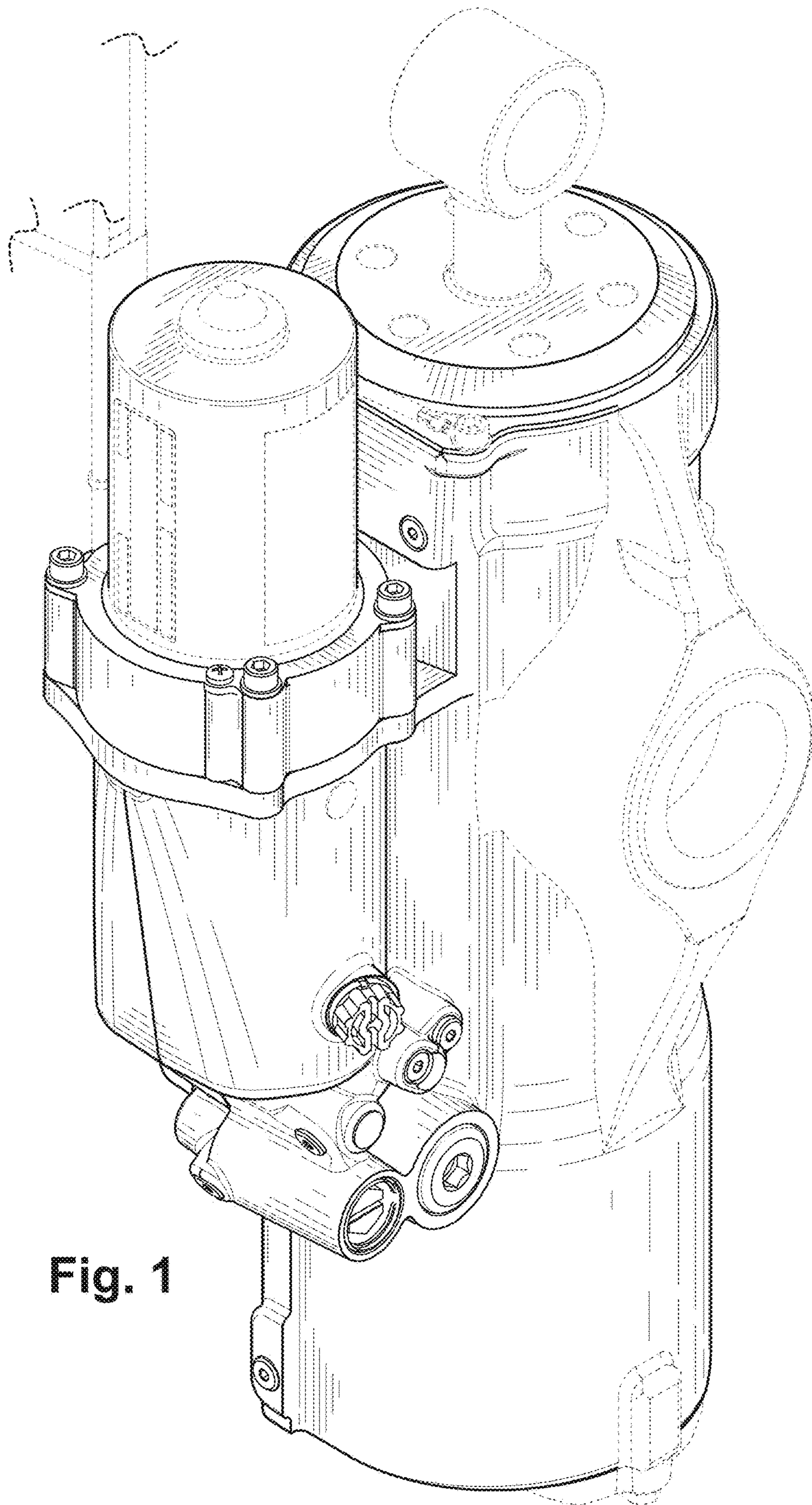


Fig. 1

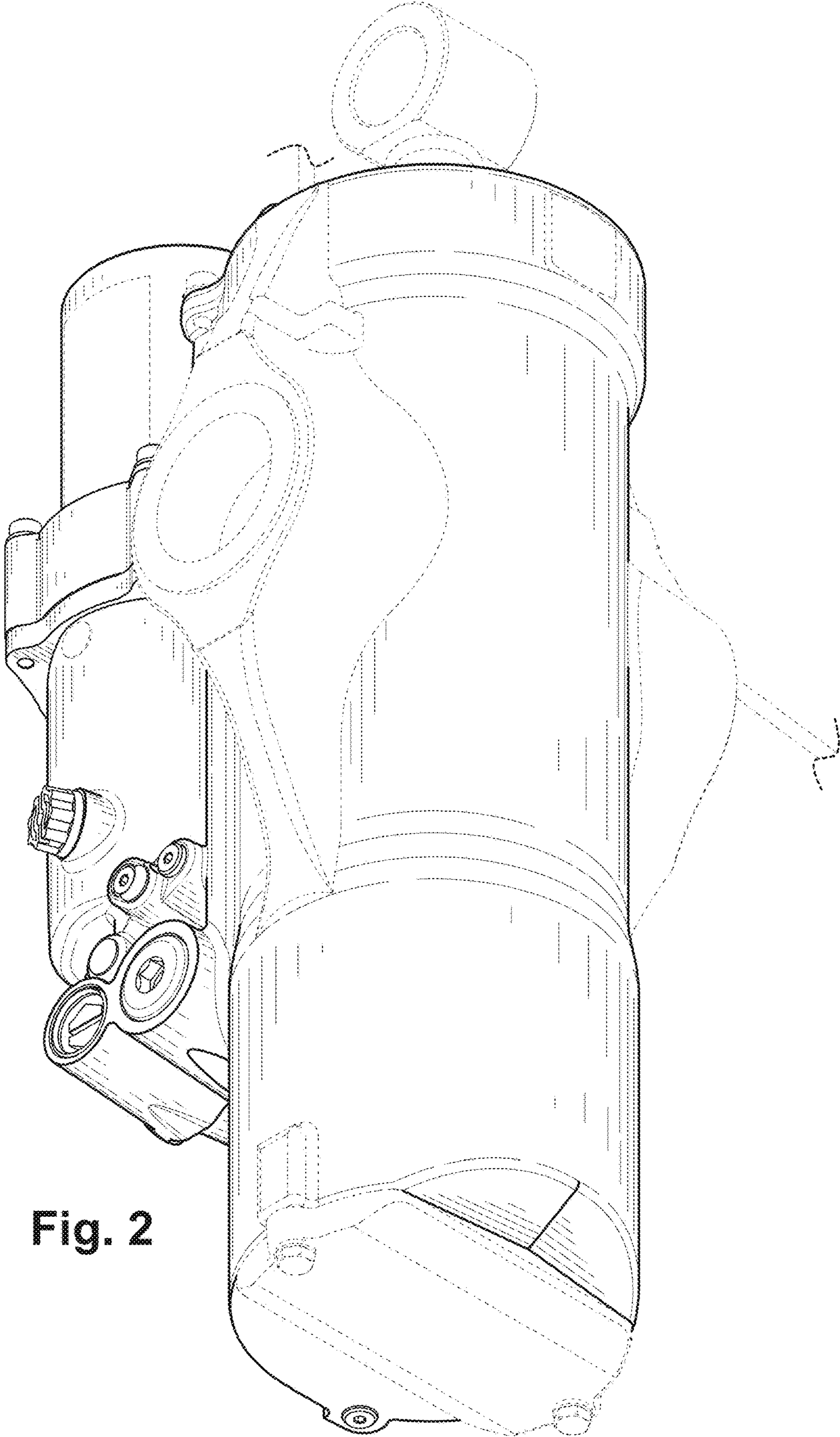


Fig. 2

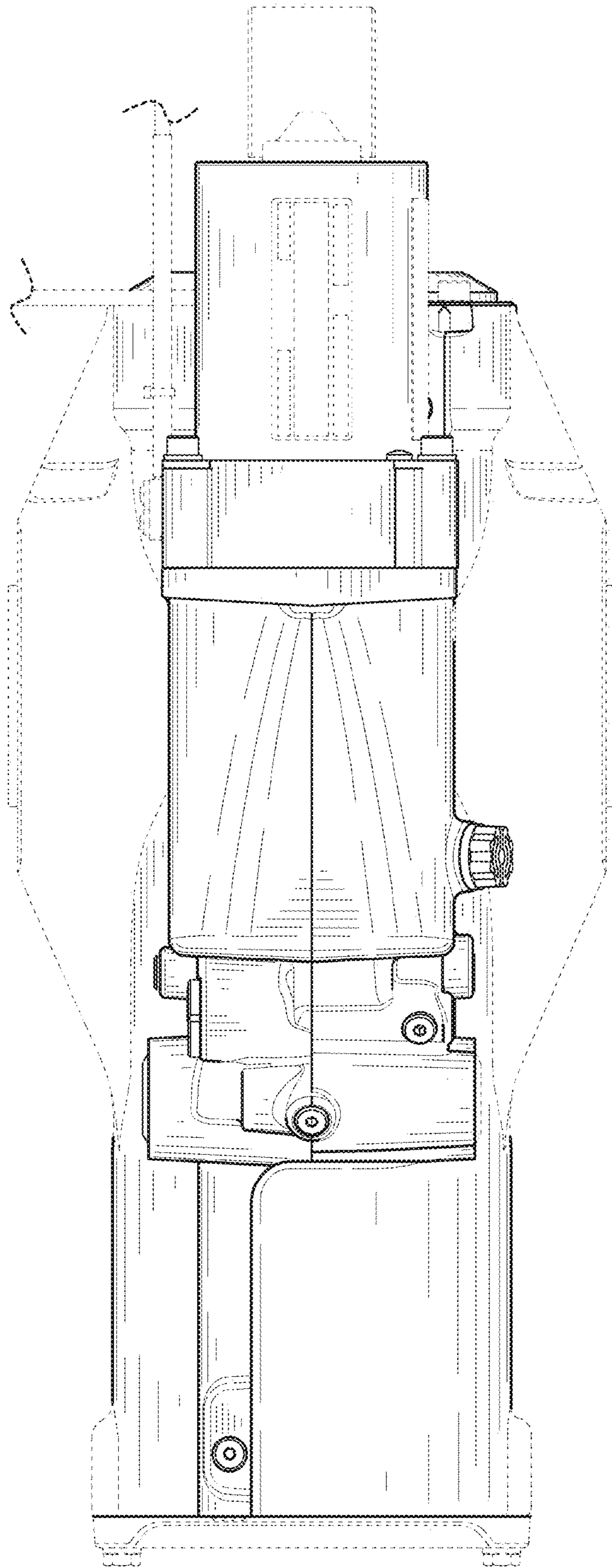


Fig. 3

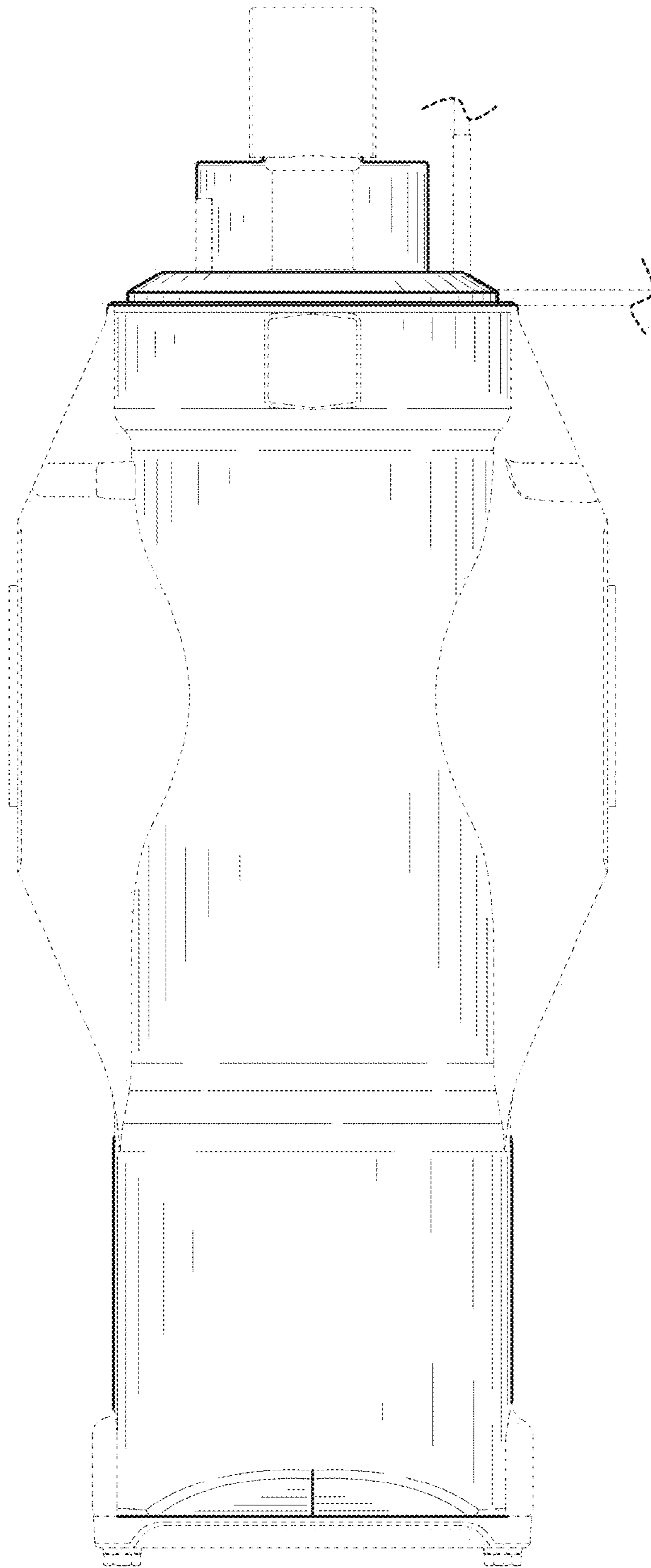


Fig. 4

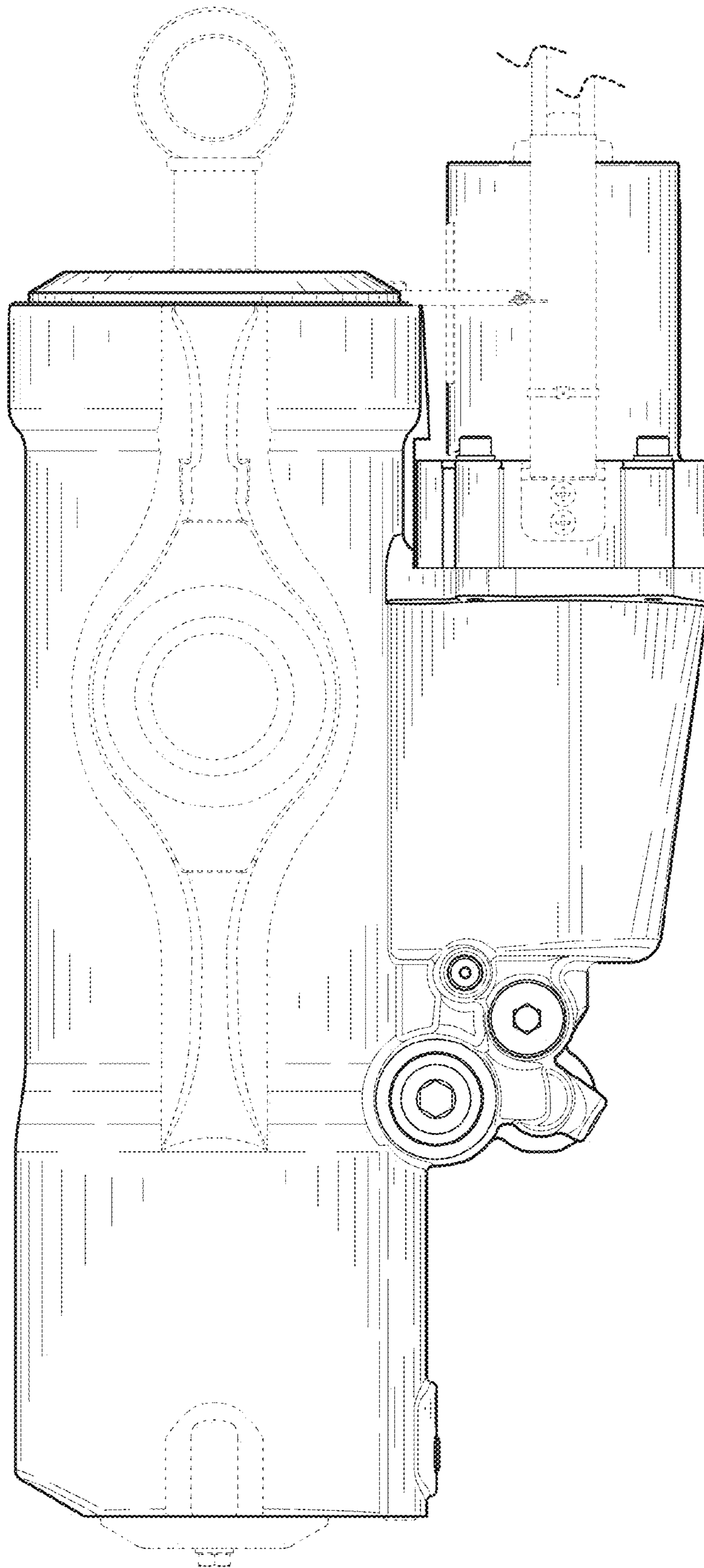


Fig. 5

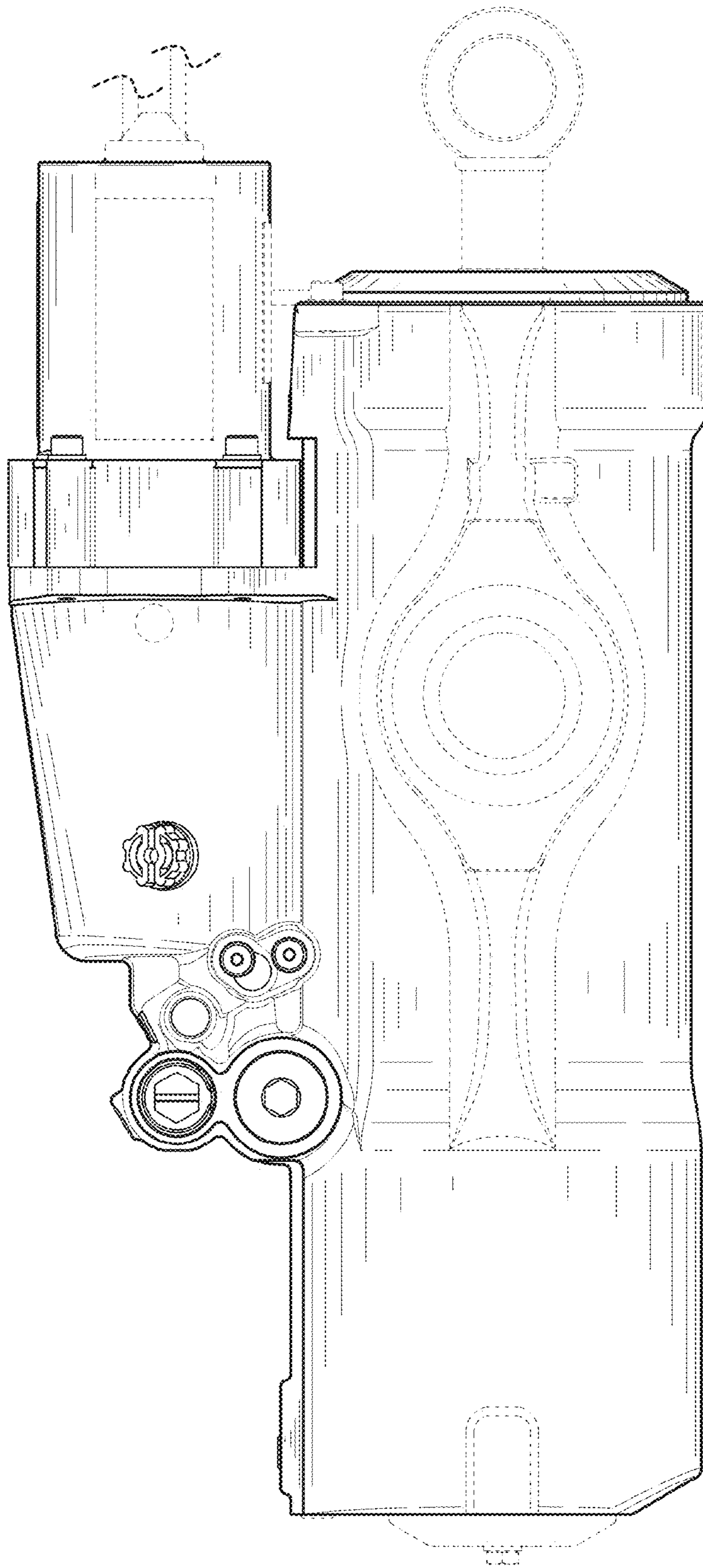


Fig. 6

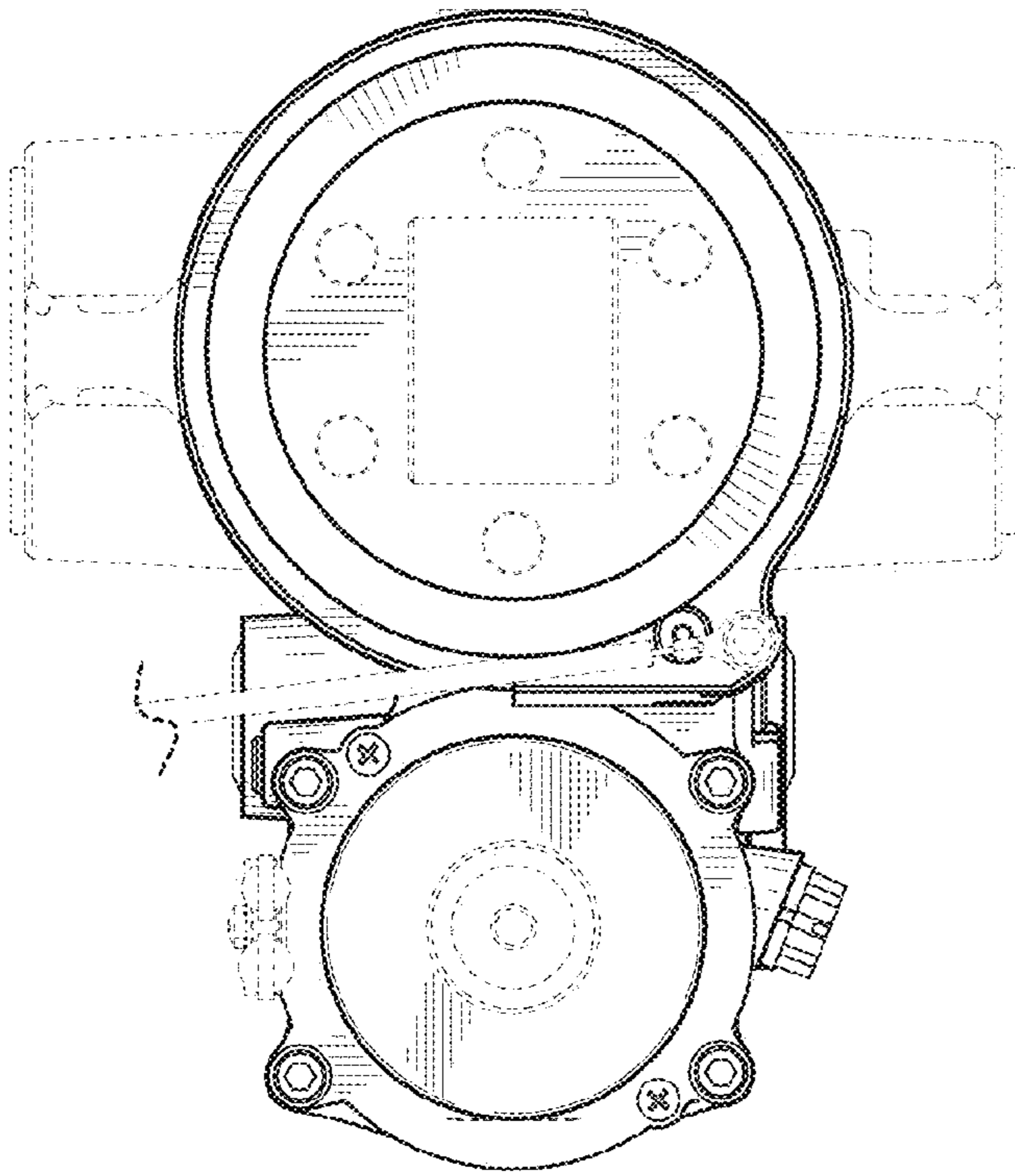


Fig. 7

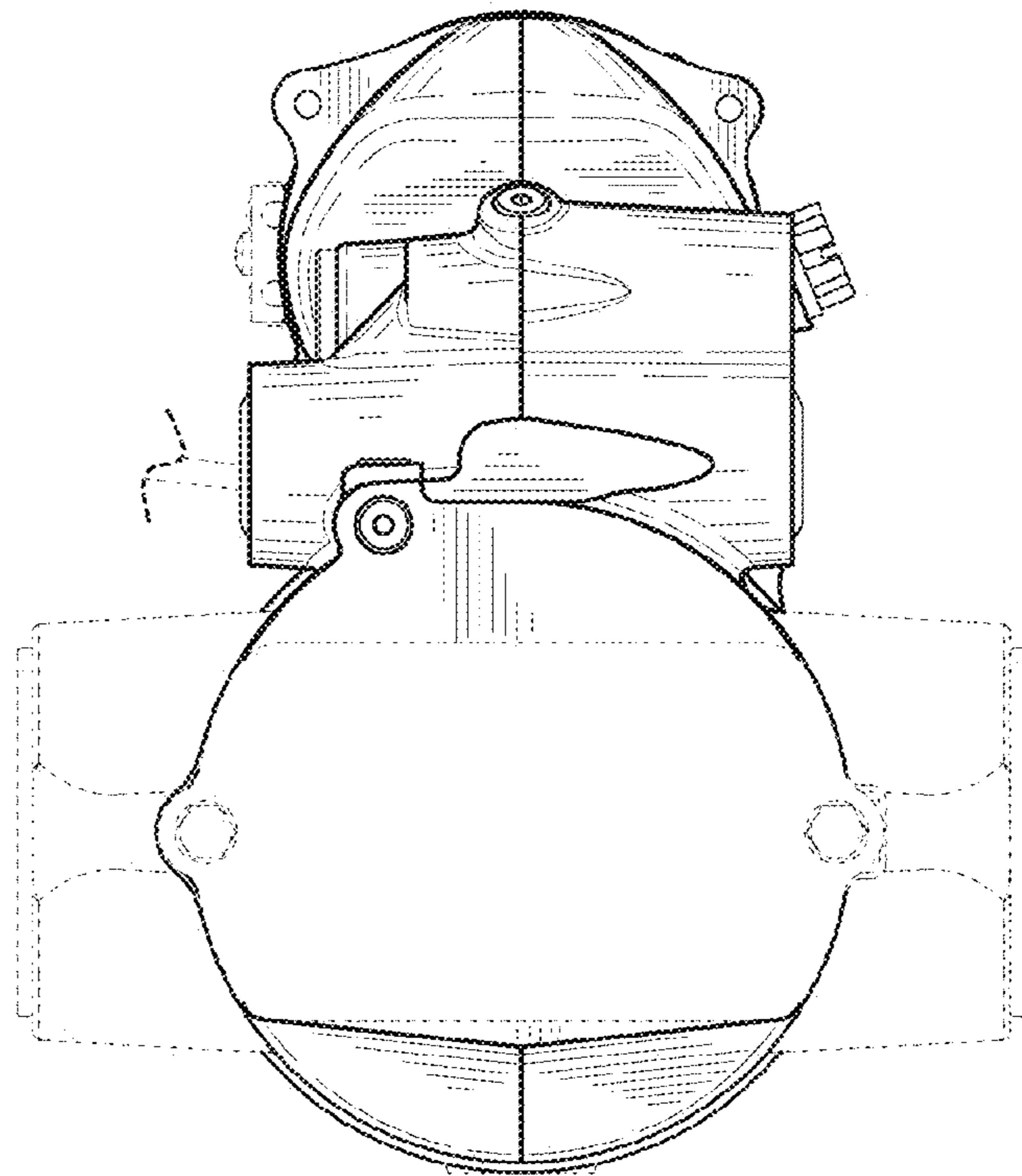


Fig. 8