



US00D985640S

(12) **United States Design Patent**
Rife

(10) **Patent No.:** **US D985,640 S**

(45) **Date of Patent:** **** May 9, 2023**

(54) **ROTARY LASER ENGRAVING DEVICE**

(71) Applicant: **Jason Earl Rife**, Jacksonville, FL (US)

(72) Inventor: **Jason Earl Rife**, Jacksonville, FL (US)

(**) Term: **15 Years**

(21) Appl. No.: **29/738,089**

(22) Filed: **Jun. 15, 2020**

(51) **LOC (14) Cl.** **15-99**

(52) **U.S. Cl.**
USPC **D15/199**

(58) **Field of Classification Search**
USPC D15/122, 127, 135, 11; D18/34.3, 50
CPC B23K 26/0853; B23K 26/361
See application file for complete search history.

(56) **References Cited**

U.S. PATENT DOCUMENTS

D291,811 S *	9/1987	Jen	D18/57
D300,637 S *	4/1989	Kagayama	D15/199
D483,636 S *	12/2003	Oblak	D8/61
D603,430 S *	11/2009	Masauji	D15/122
D603,431 S *	11/2009	Masauji	D15/122
D798,349 S *	9/2017	Li	D15/122
D802,632 S *	11/2017	Li	D15/127
D827,705 S *	9/2018	Gosselin	D18/50
D850,528 S *	6/2019	Gosselin	D18/50
D896,288 S *	9/2020	Jiang	D15/127
D925,634 S *	7/2021	Liu	D15/199

D931,348 S *	9/2021	Zou	D15/144
D933,723 S *	10/2021	Chen	D15/122
D943,011 S *	2/2022	Besim	D15/122

* cited by examiner

Primary Examiner — Michael C Stout

Assistant Examiner — Fritzgerald L Butac

(74) *Attorney, Agent, or Firm* — The Patent Professor;
John Rizvi

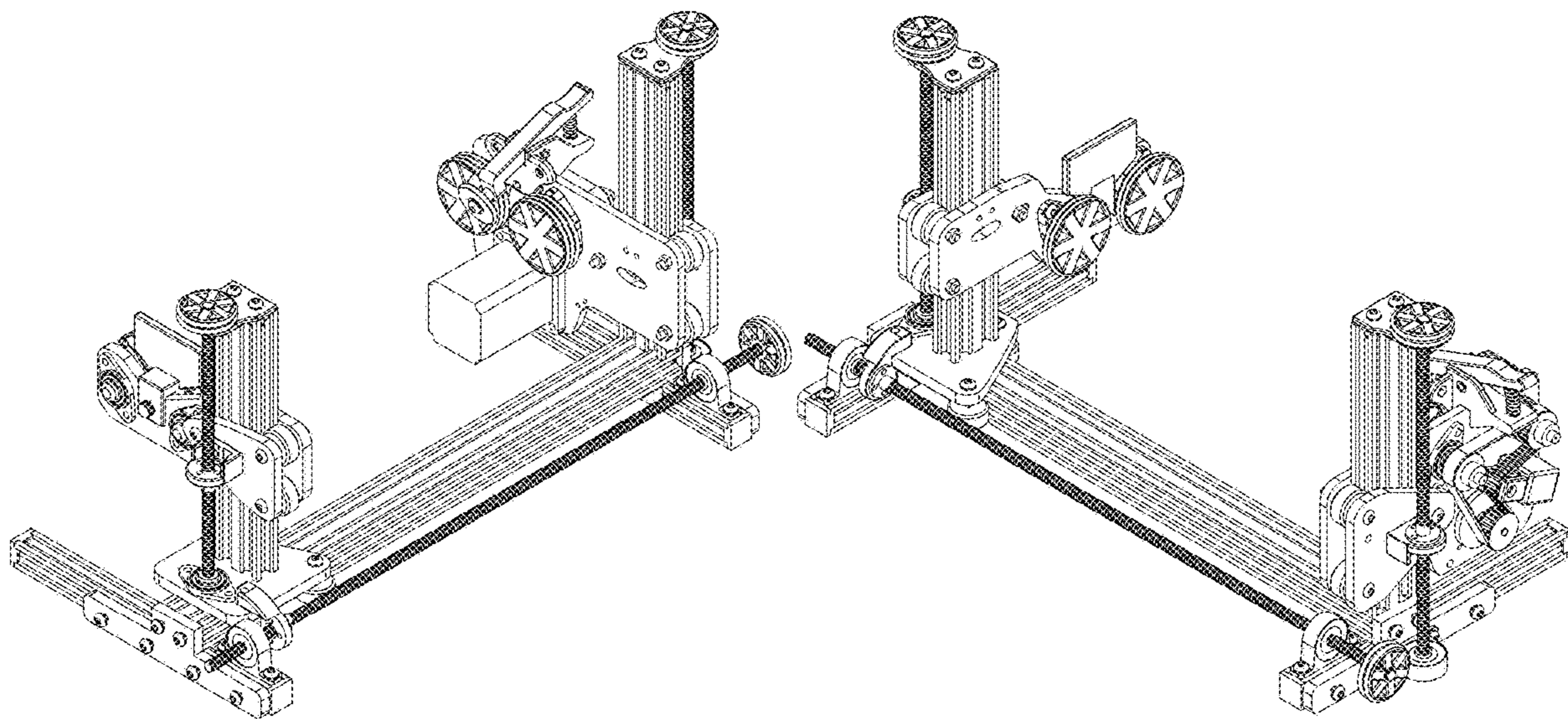
(57) **CLAIM**

I claim the ornamental design for a rotary laser engraving device, as shown and described.

DESCRIPTION

FIG. 1 is a top, front left isometric view of a rotary laser engraving device showing my new design;
FIG. 2 is a top, front right isometric view thereof;
FIG. 3 is a top, rear right isometric view thereof;
FIG. 4 is a top, rear left isometric view thereof;
FIG. 5 is a front elevation view thereof;
FIG. 6 is a rear elevation view thereof;
FIG. 7 is a left side elevation view thereof;
FIG. 8 is a right side elevation view thereof;
FIG. 9 is a top plan view thereof; and,
FIG. 10 is a bottom plan view thereof.
The broken lines show portions of a rotary laser engraving device which form no part of the claimed design.

1 Claim, 10 Drawing Sheets



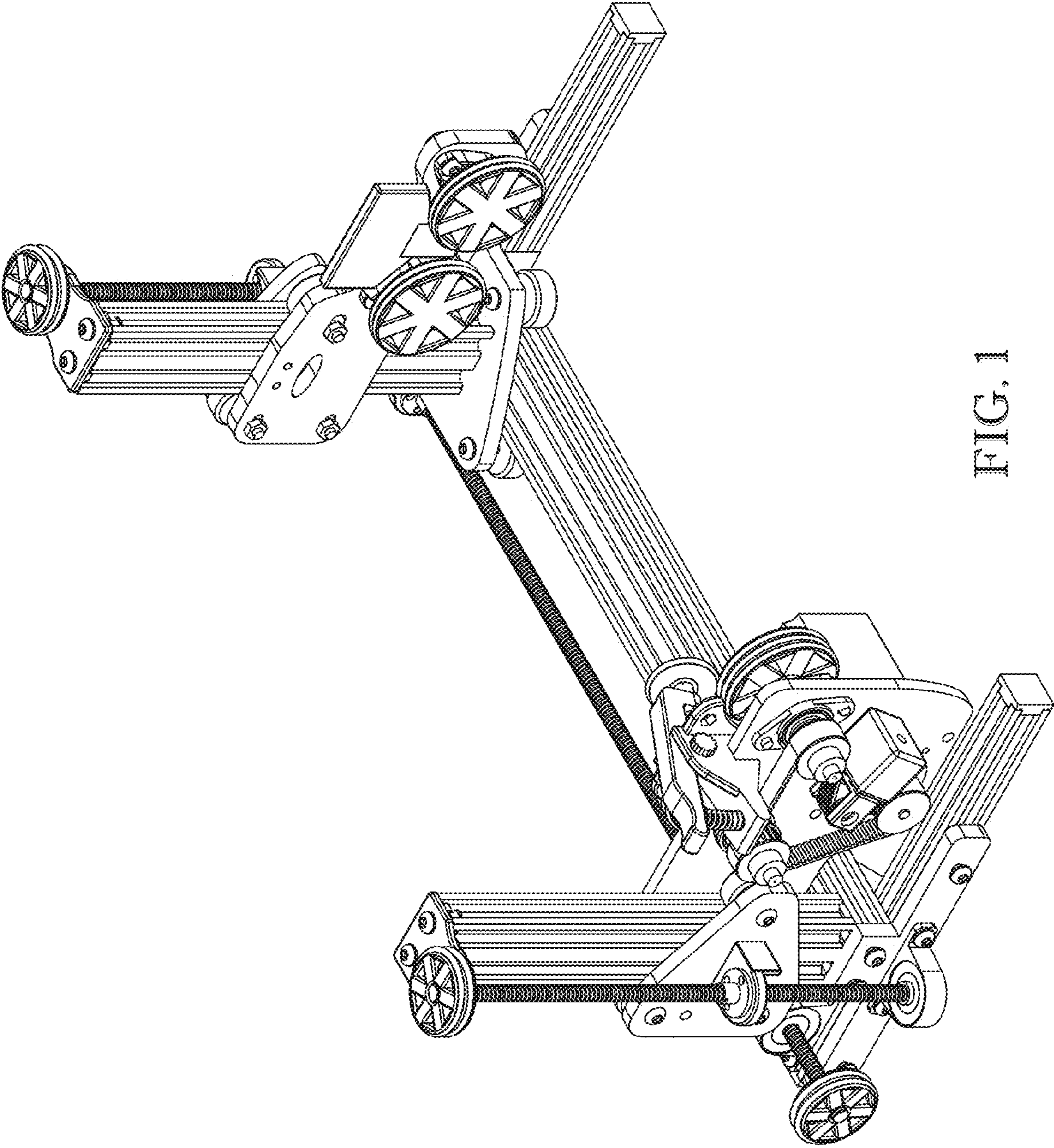


FIG. 1

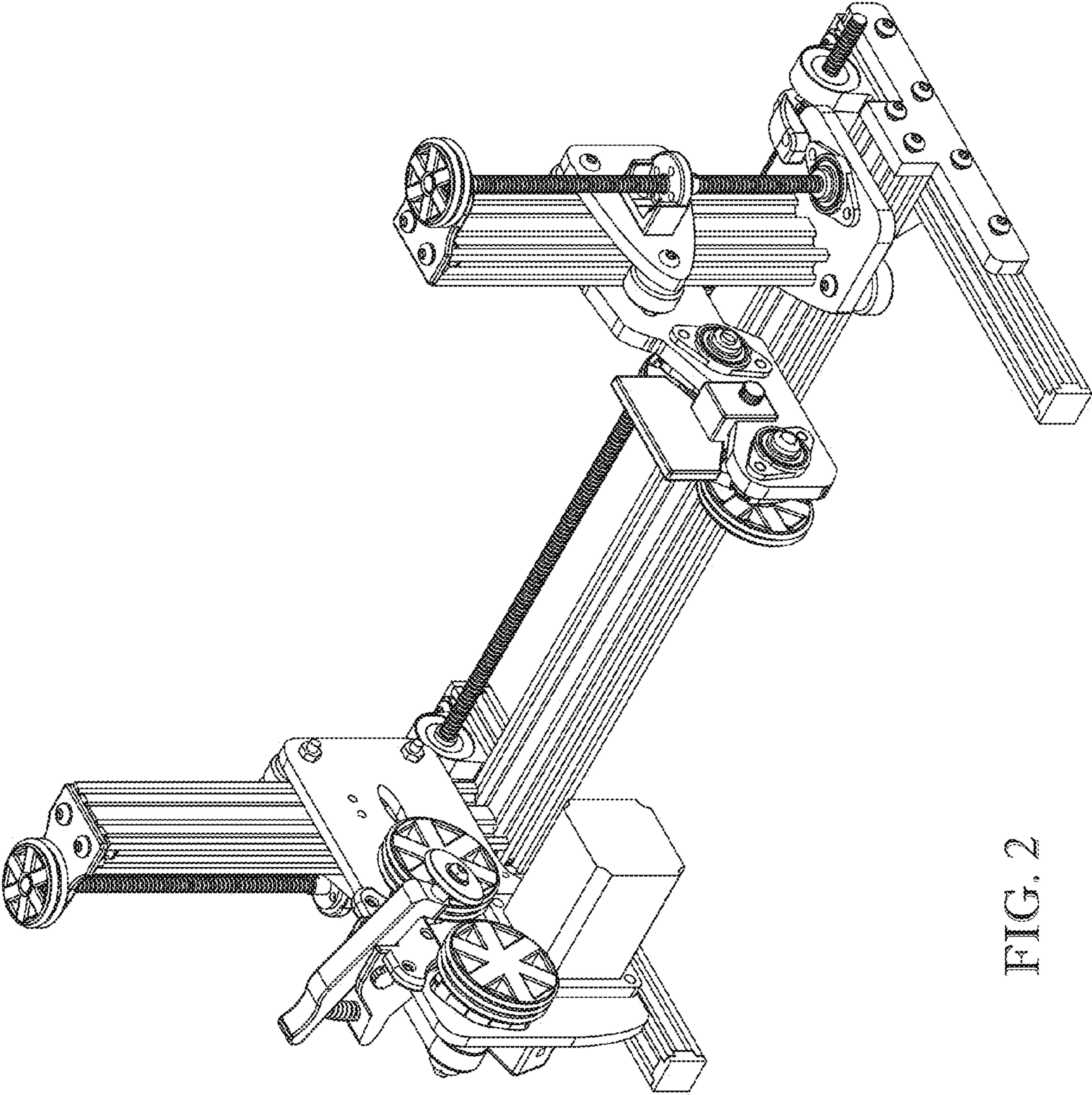


FIG. 2

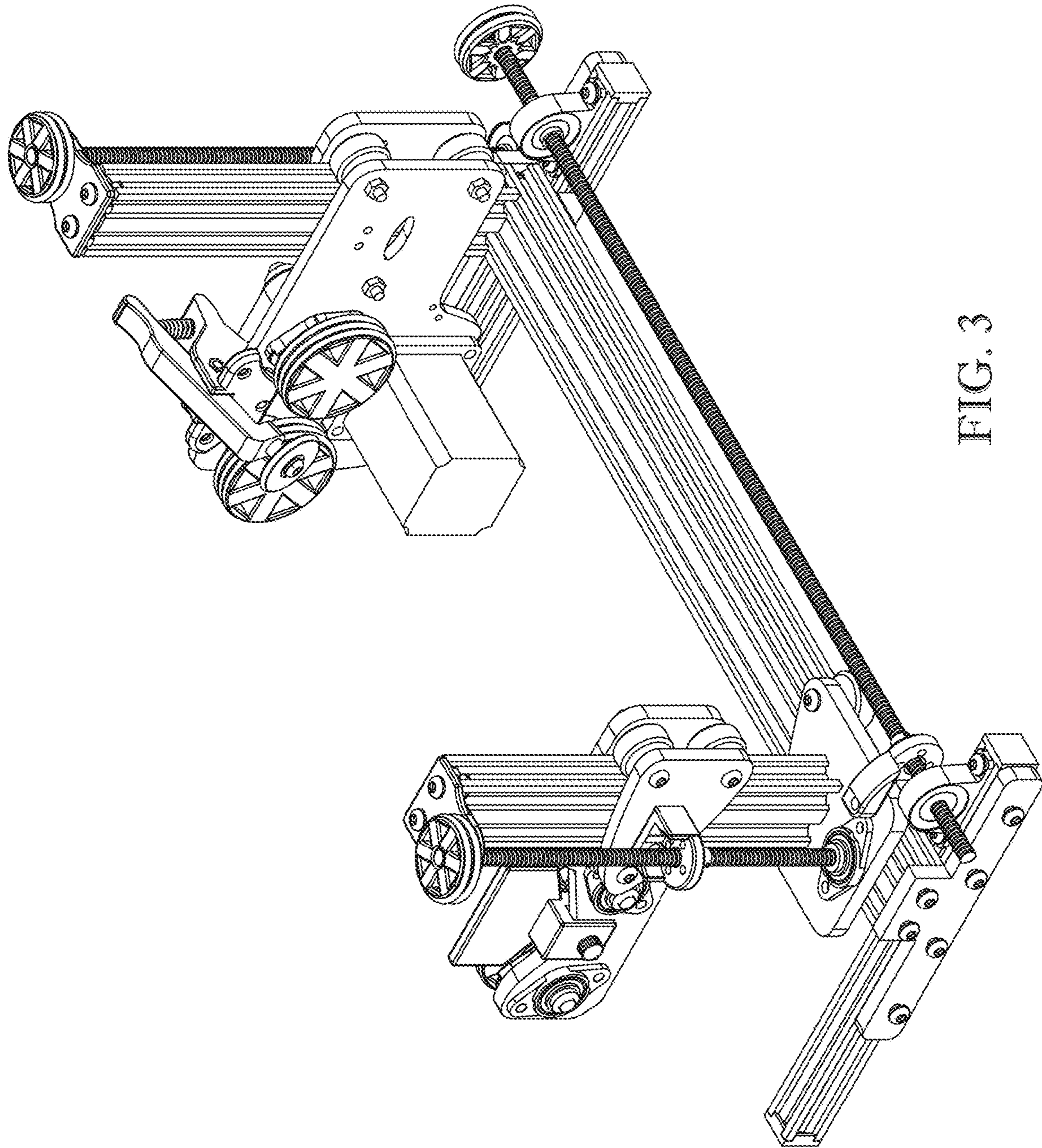


FIG. 3

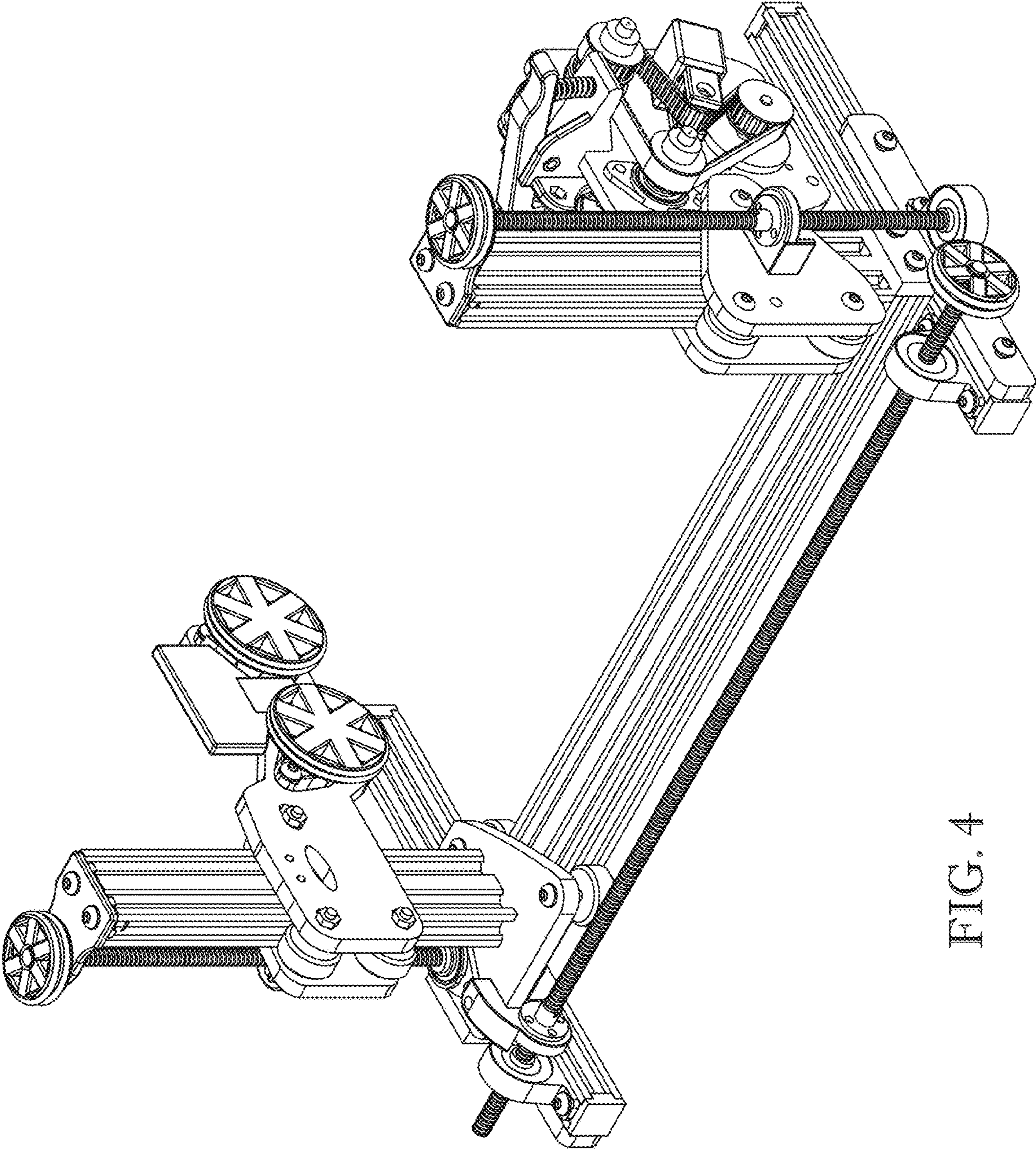


FIG. 4

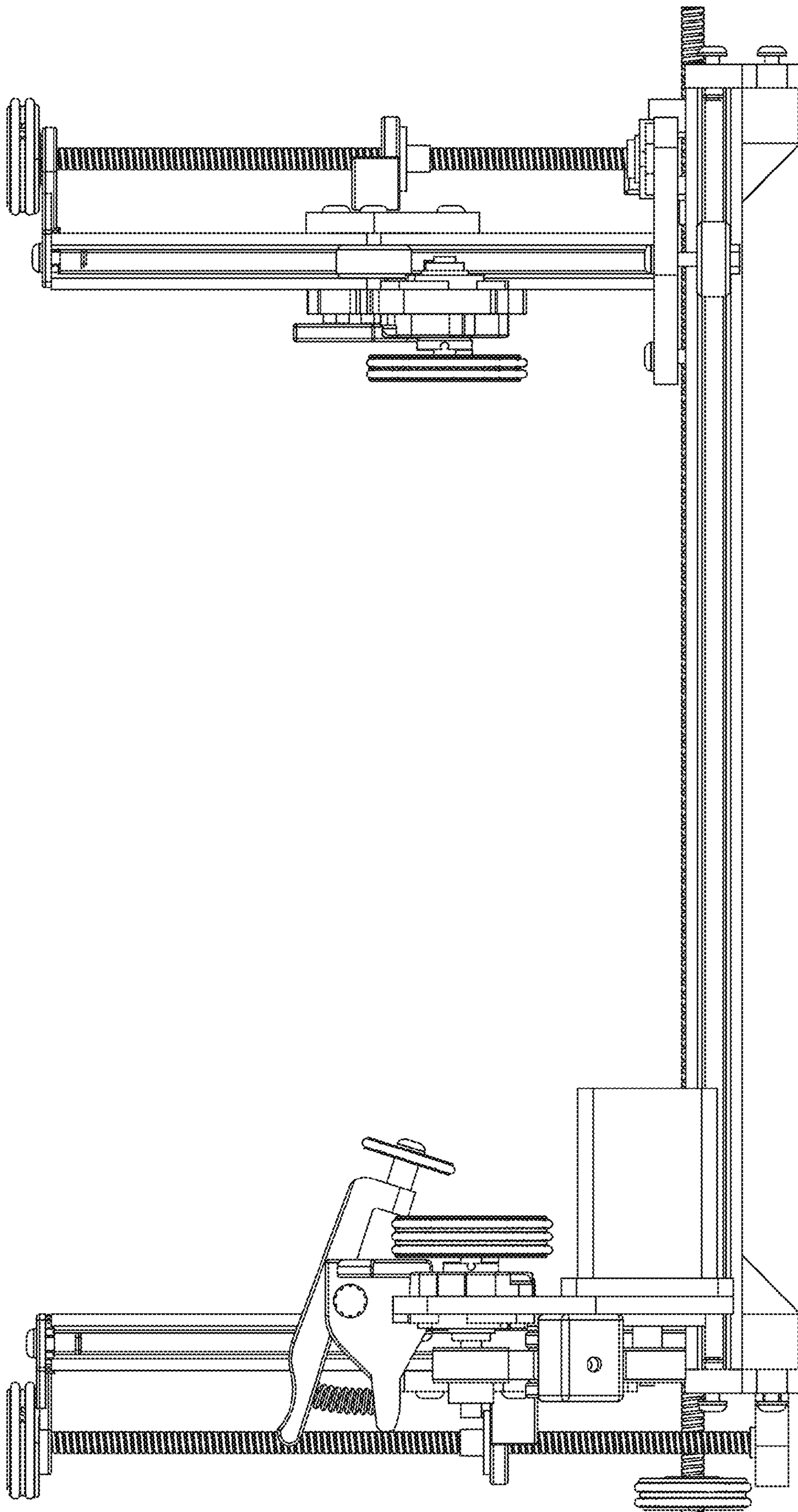


FIG. 5

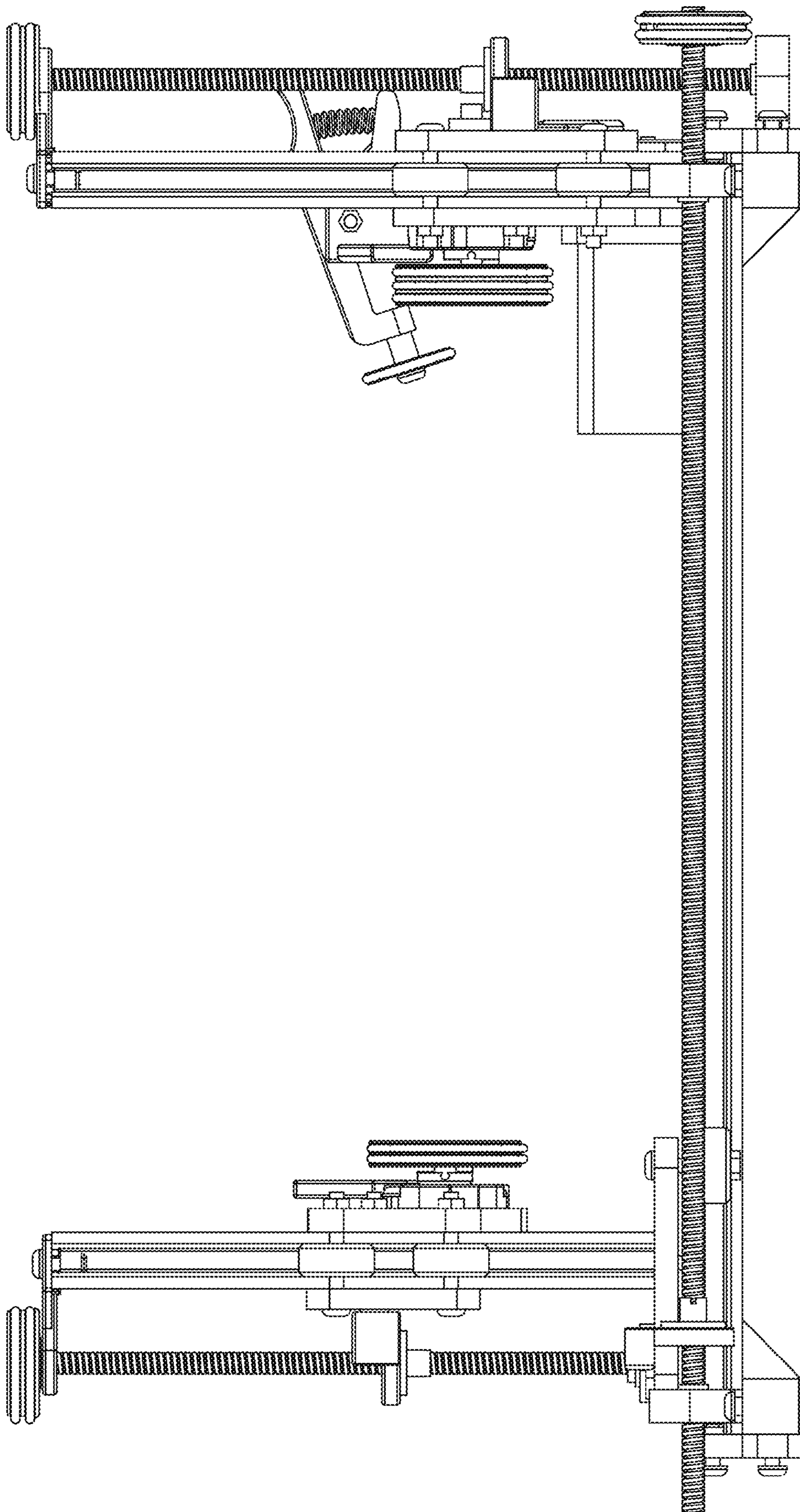


FIG. 6

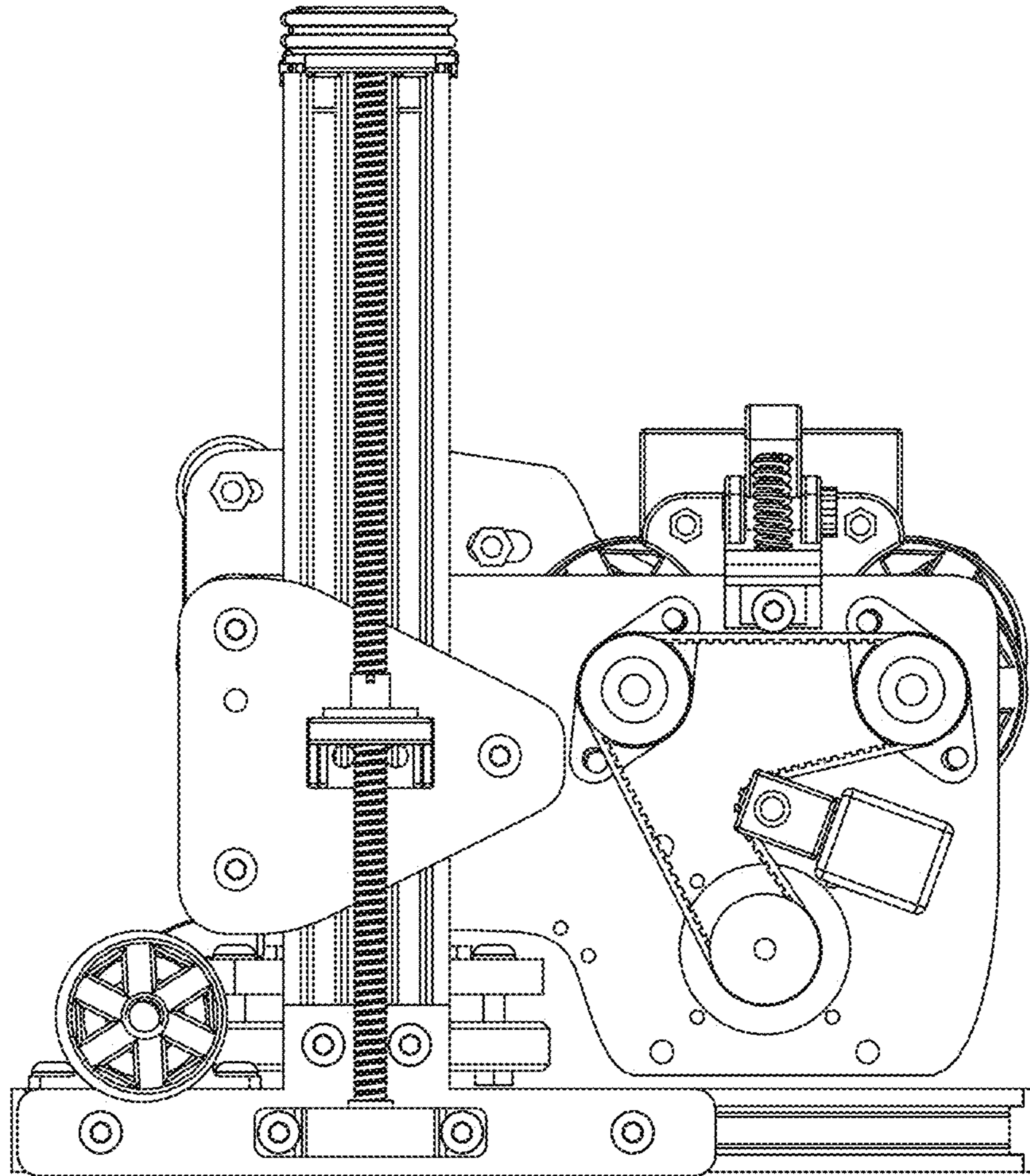


FIG. 7

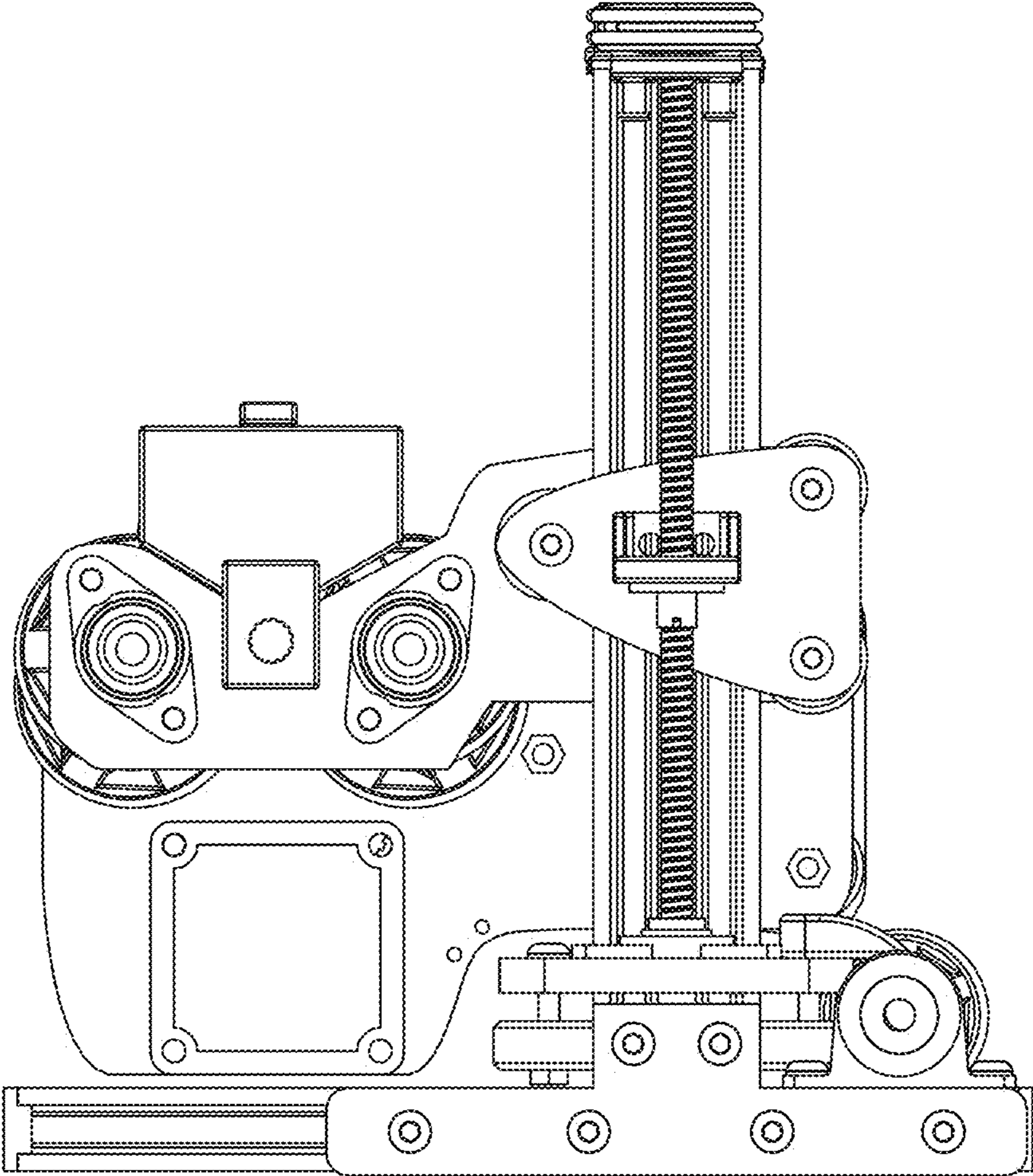


FIG. 8

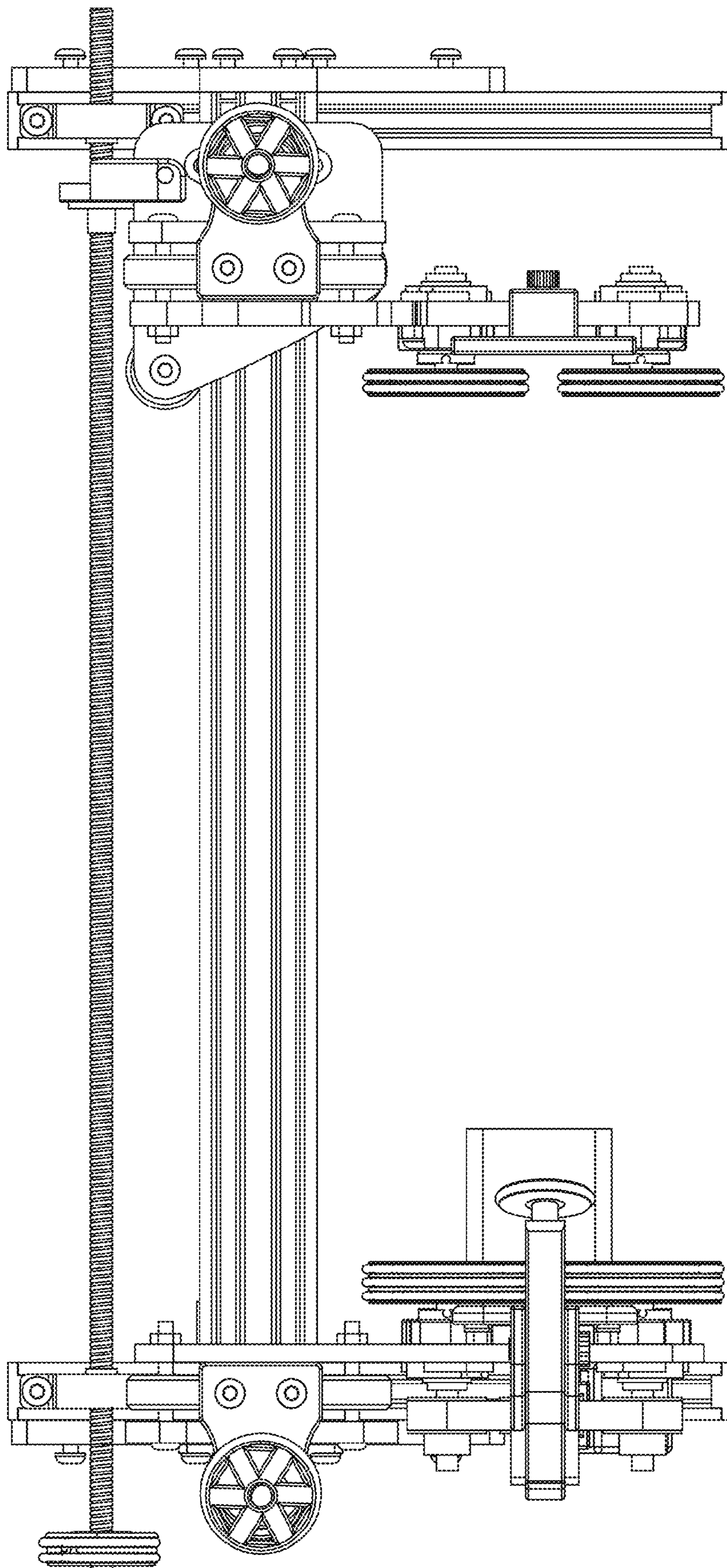


FIG. 9

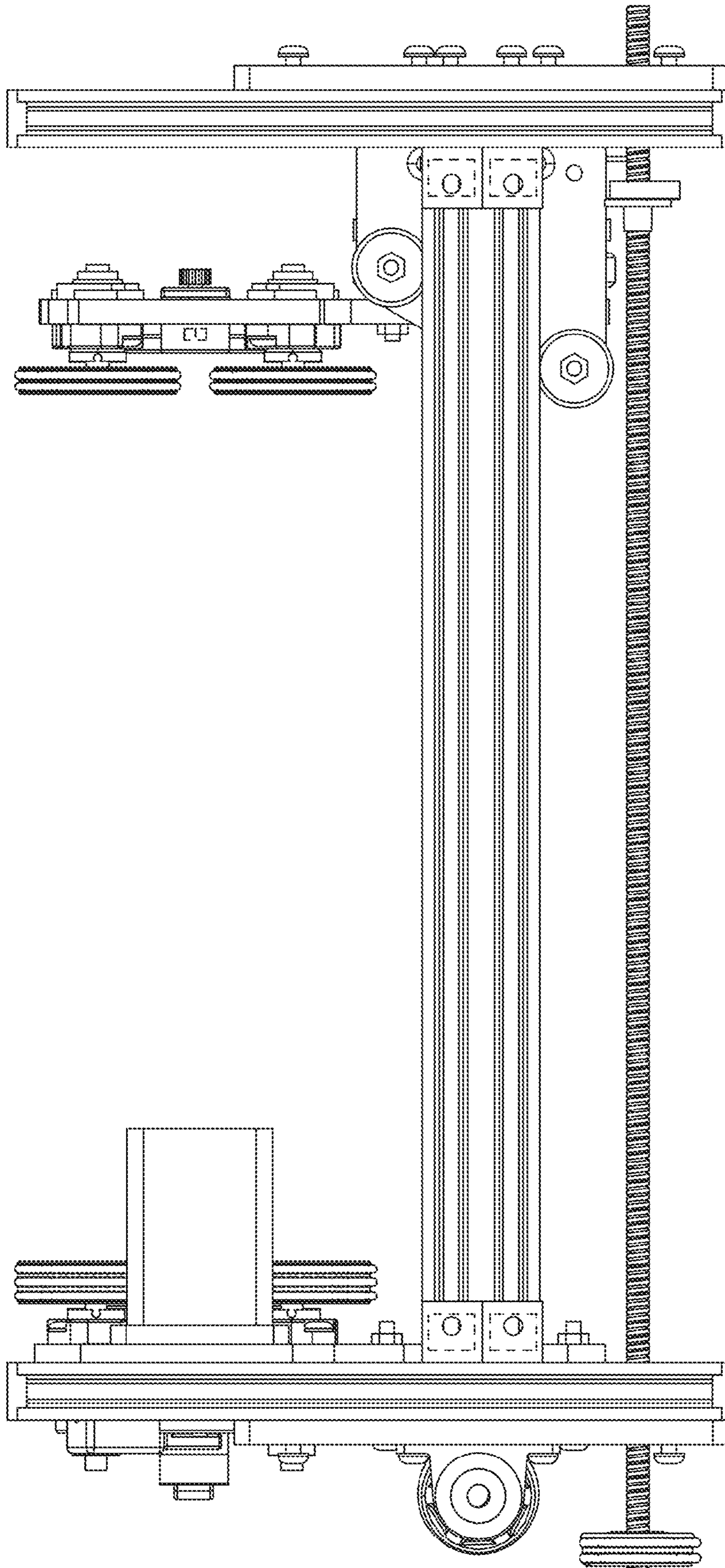


FIG. 10