



US00D985639S

(12) **United States Design Patent**
Ruth

(10) **Patent No.:** **US D985,639 S**

(45) **Date of Patent:** **** May 9, 2023**

(54) **COPING SLED**

OTHER PUBLICATIONS

(71) Applicant: **Woodpeckers, LLC**, Strongsville, OH (US)

Woodpeckers; Coping Sled, Woodworking Coping Sled, Router Table Coping Sled; webpage <https://www.woodpeck.com/woodpeckers-coping-sled-3029.html> on Sep. 27, 2021.

(72) Inventor: **Craig Ruth**, Brecksville, OH (US)

* cited by examiner

(73) Assignee: **WOODPECKERS, LLC**, Strongsville, OH (US)

Primary Examiner — Michael C Stout

Assistant Examiner — Fitzgerald L Butac

(**) Term: **15 Years**

(74) *Attorney, Agent, or Firm* — Sand, Sebolt & Wernow Co., LPA

(21) Appl. No.: **29/809,471**

(22) Filed: **Sep. 28, 2021**

(57) **CLAIM**

(51) **LOC (14) Cl.** **15-09**

The ornamental design for a coping sled, as shown and described.

(52) **U.S. Cl.**

USPC **D15/140**

(58) **Field of Classification Search**

DESCRIPTION

USPC D8/70, 71; D10/65; D15/122, 125-127,

D15/133, 134, 139, 140, 141

CPC B23Q 3/005; B27B 25/10; Y10T 83/6609

See application file for complete search history.

FIG. 1 is a front perspective view of the coping sled in accordance with my design;

FIG. 2 is a front elevation view thereof;

FIG. 3 is a rear elevation view thereof;

FIG. 4 is a right side elevation view thereof;

FIG. 5 is a left side elevation view thereof;

FIG. 6 is a top plan view thereof; and,

FIG. 7 is a bottom plan view thereof.

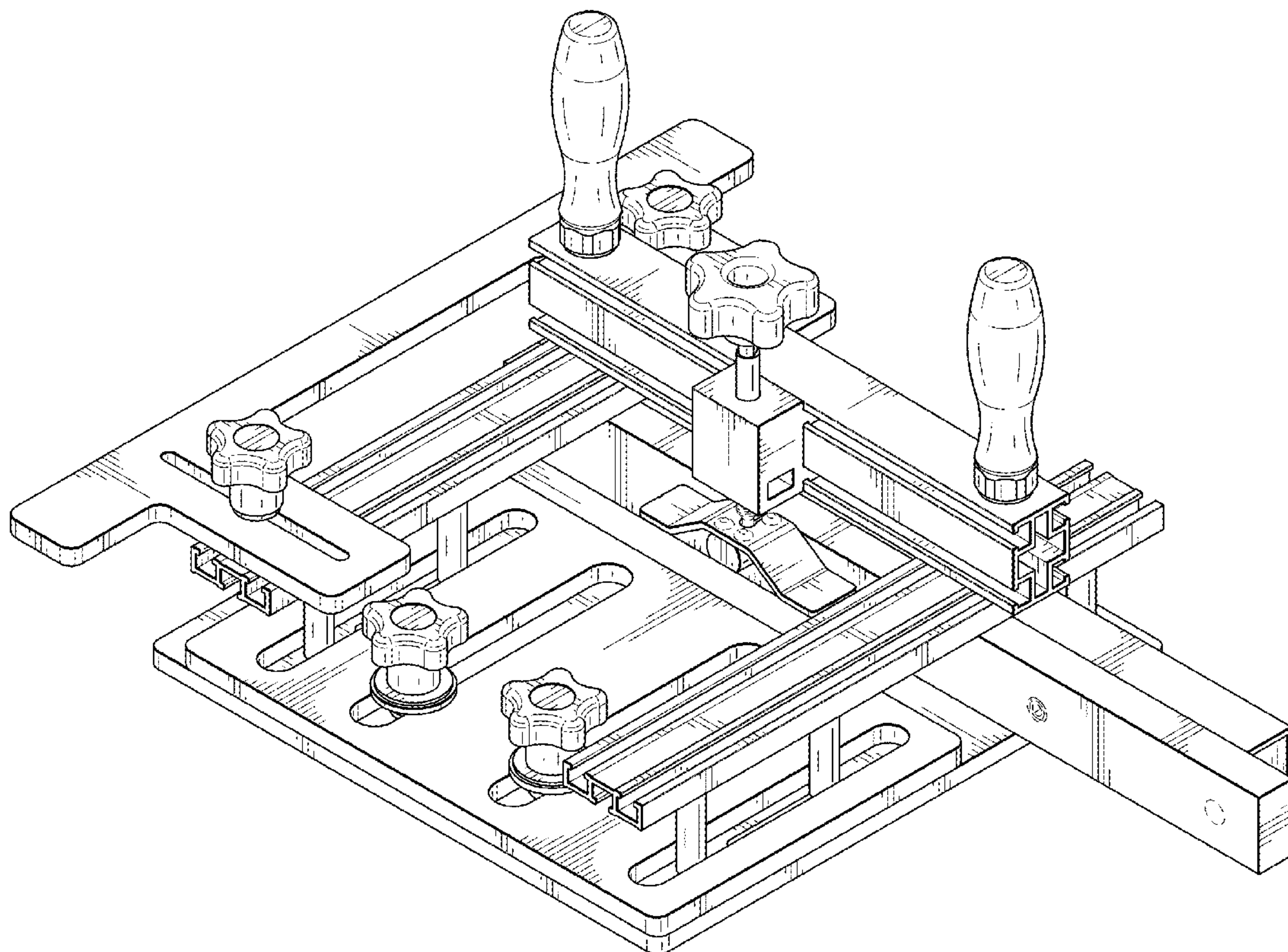
The broken lines illustrate portions of the coping sled which form no part of the claimed design.

(56) **References Cited**

U.S. PATENT DOCUMENTS

| | | | | | |
|------------|---|---------|------------|-------|---------|
| D340,060 S | * | 10/1993 | Emerich | | D10/64 |
| D351,775 S | * | 10/1994 | Wedler | | D8/71 |
| D410,934 S | * | 6/1999 | Etter | | D15/127 |
| D512,893 S | * | 12/2005 | Cowan | | D8/71 |
| D781,677 S | * | 3/2017 | Saunders | | D8/71 |
| D963,714 S | * | 9/2022 | Skillicorn | | D15/133 |

1 Claim, 7 Drawing Sheets



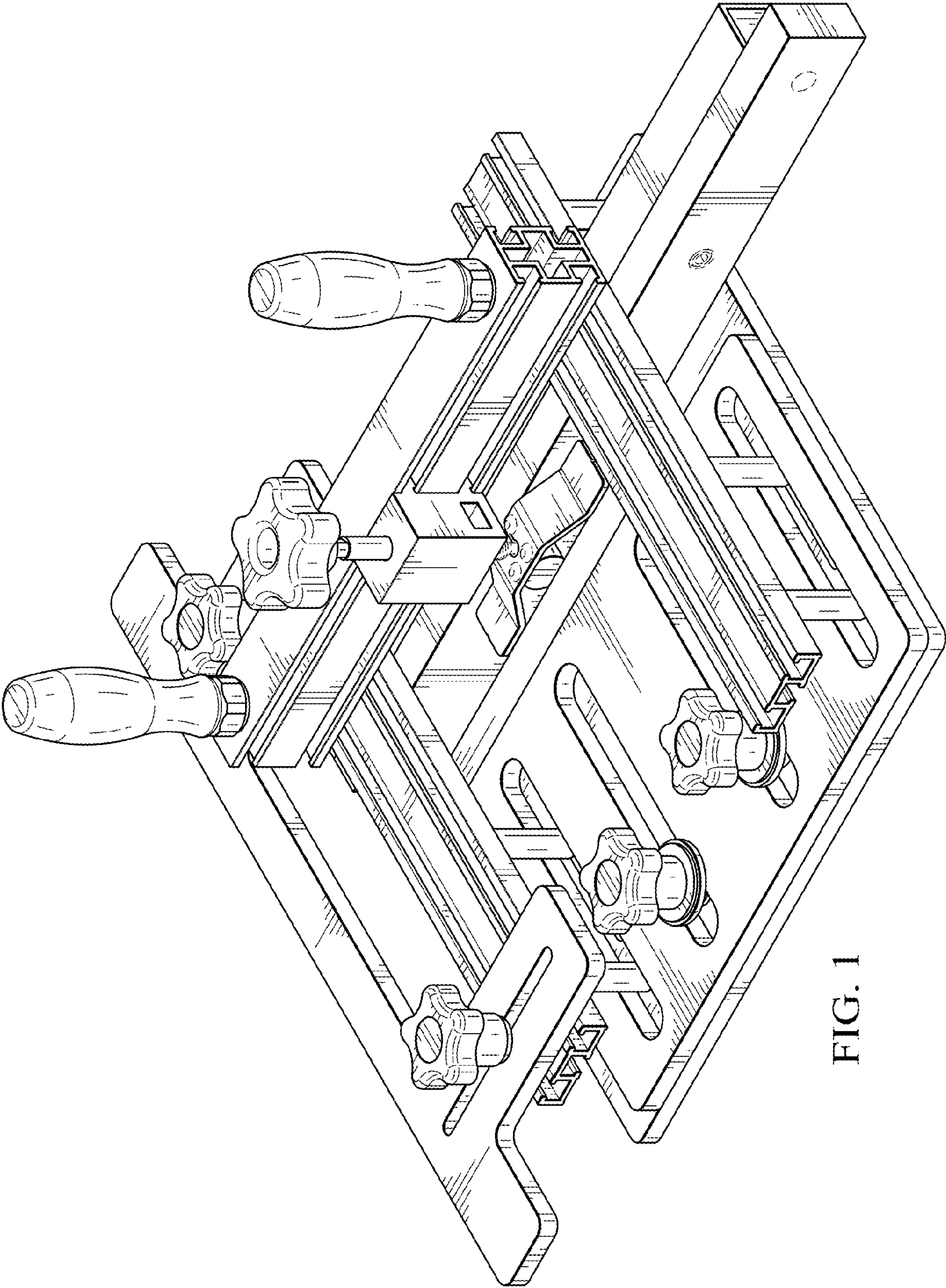


FIG. 1

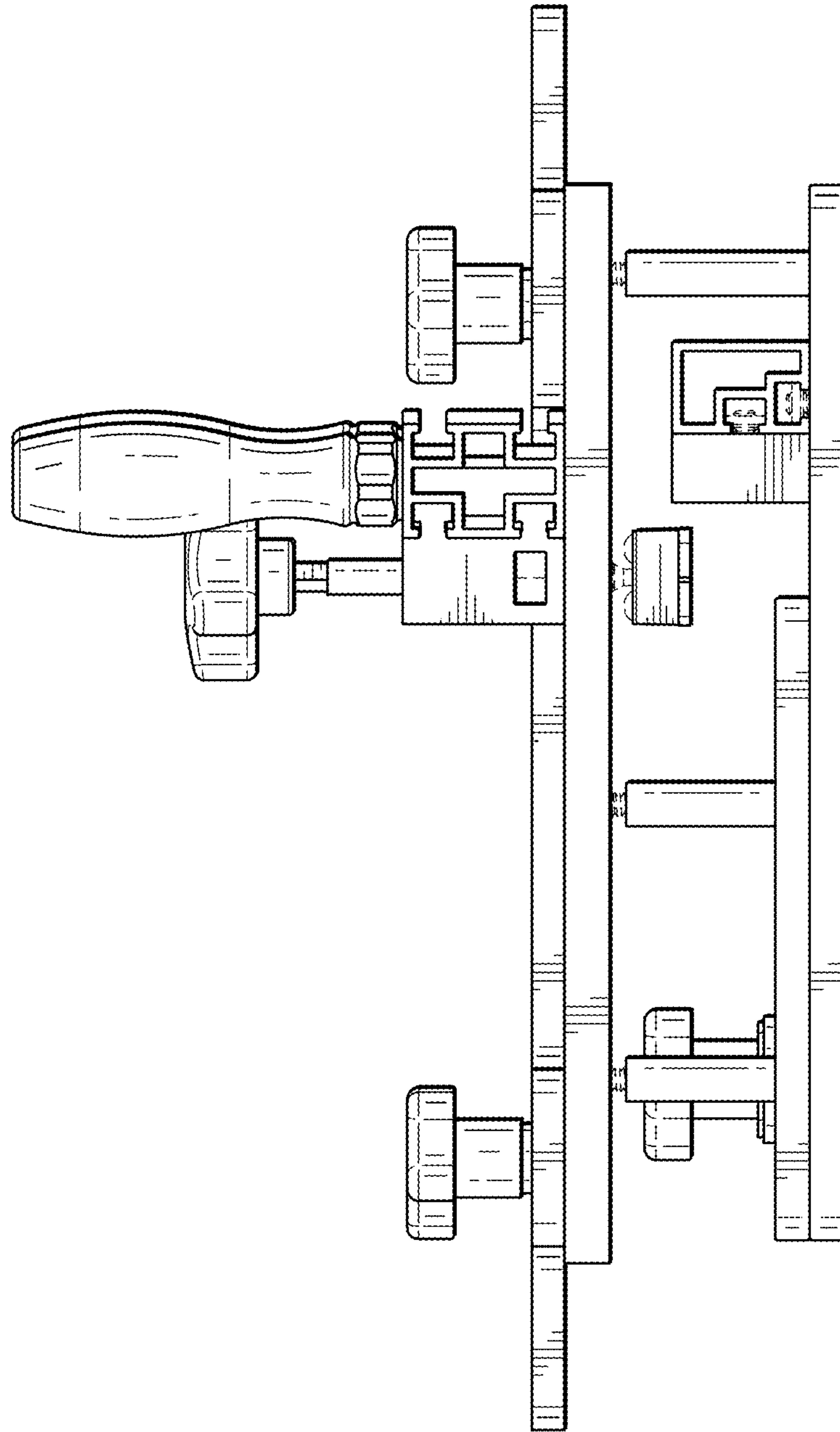


FIG. 2

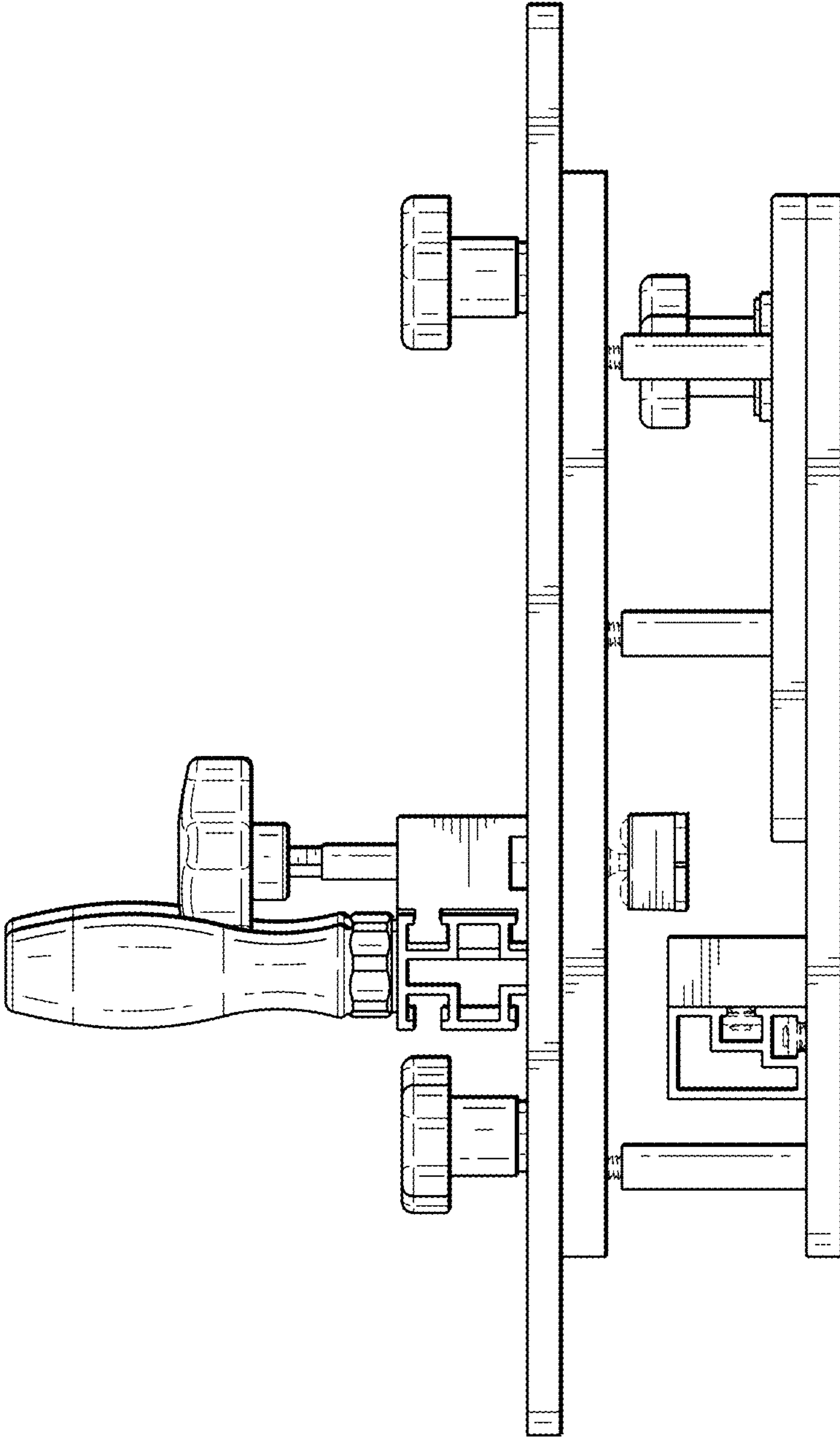


FIG. 3

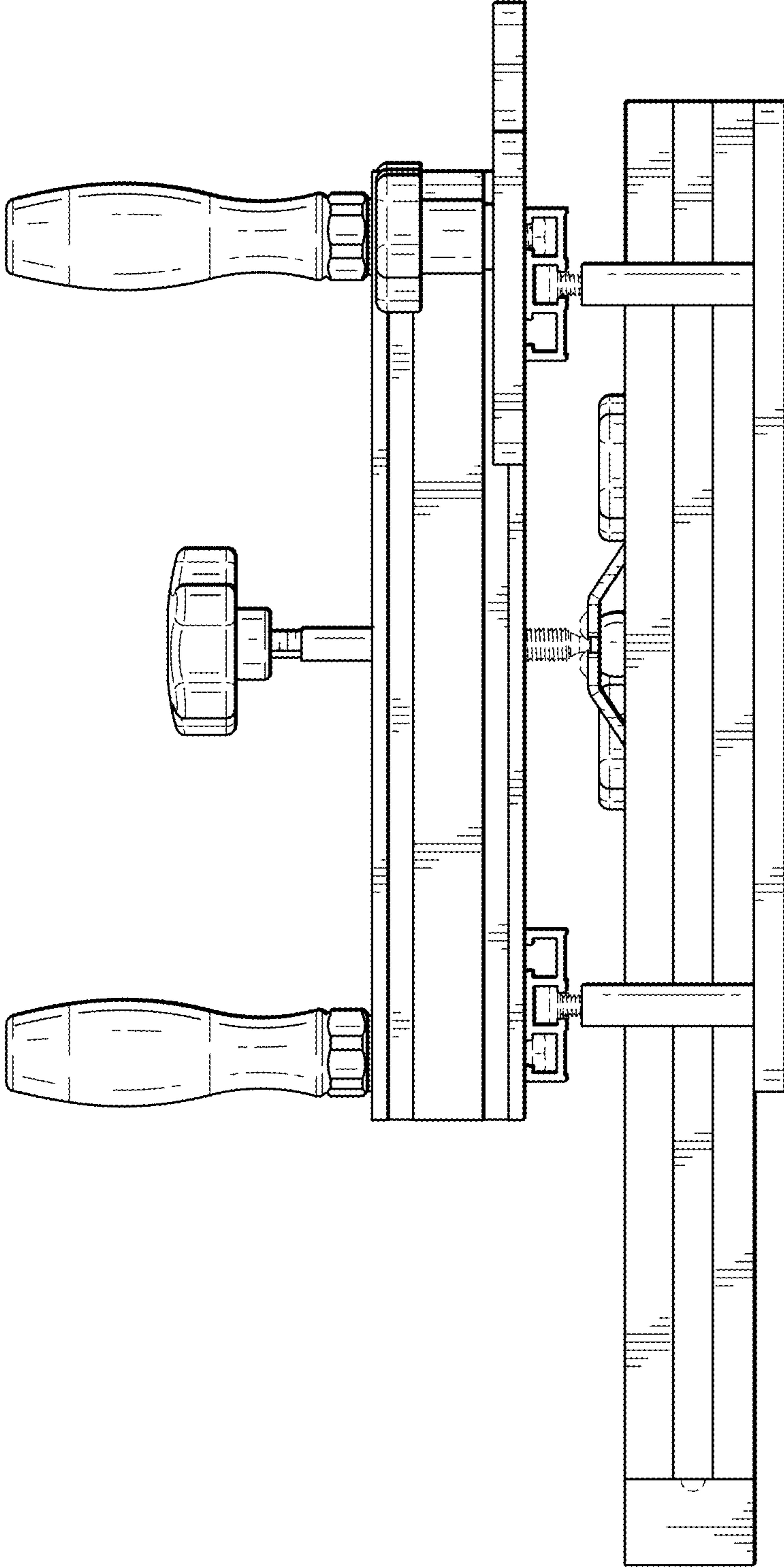


FIG. 4

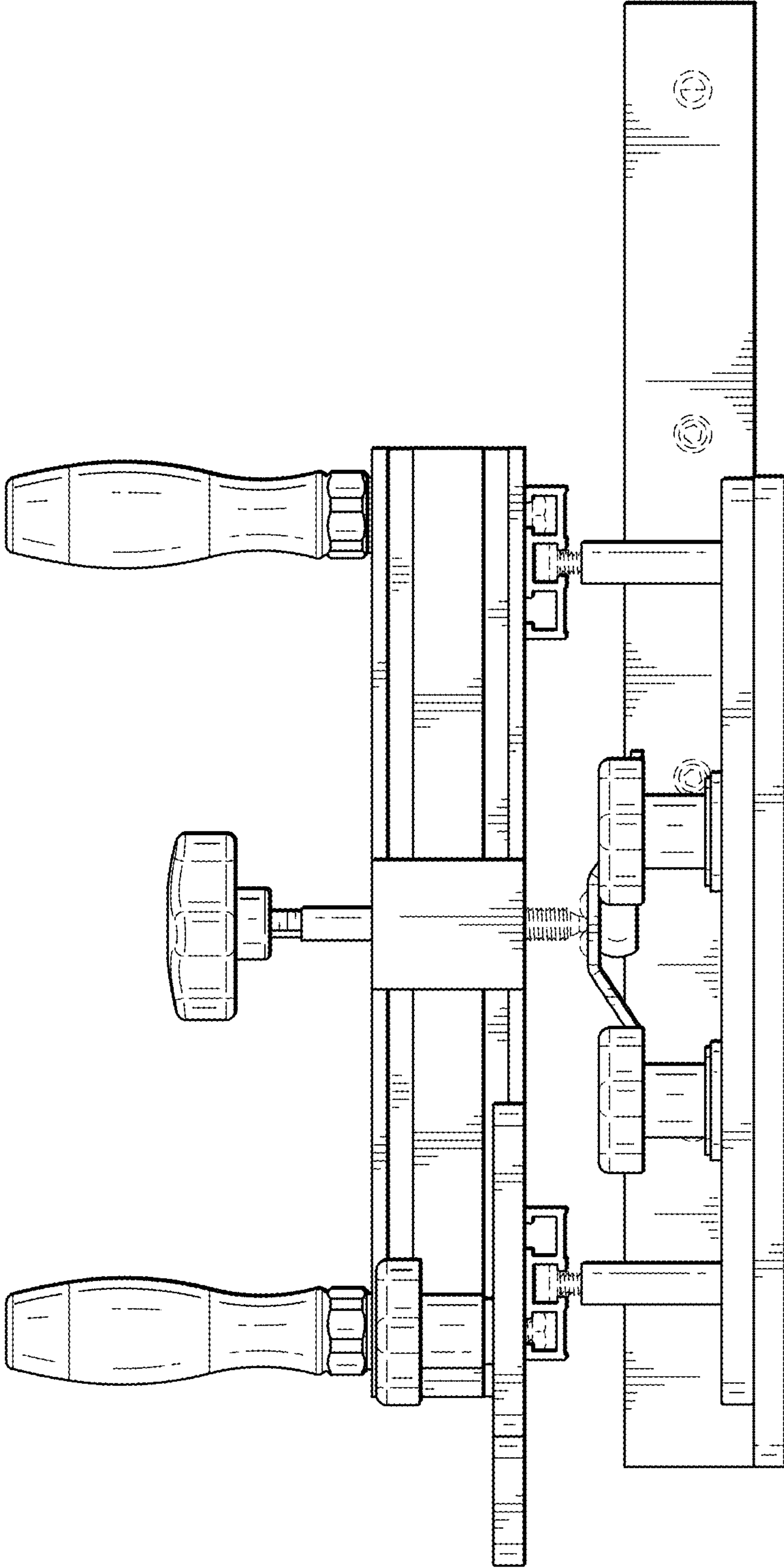


FIG. 5

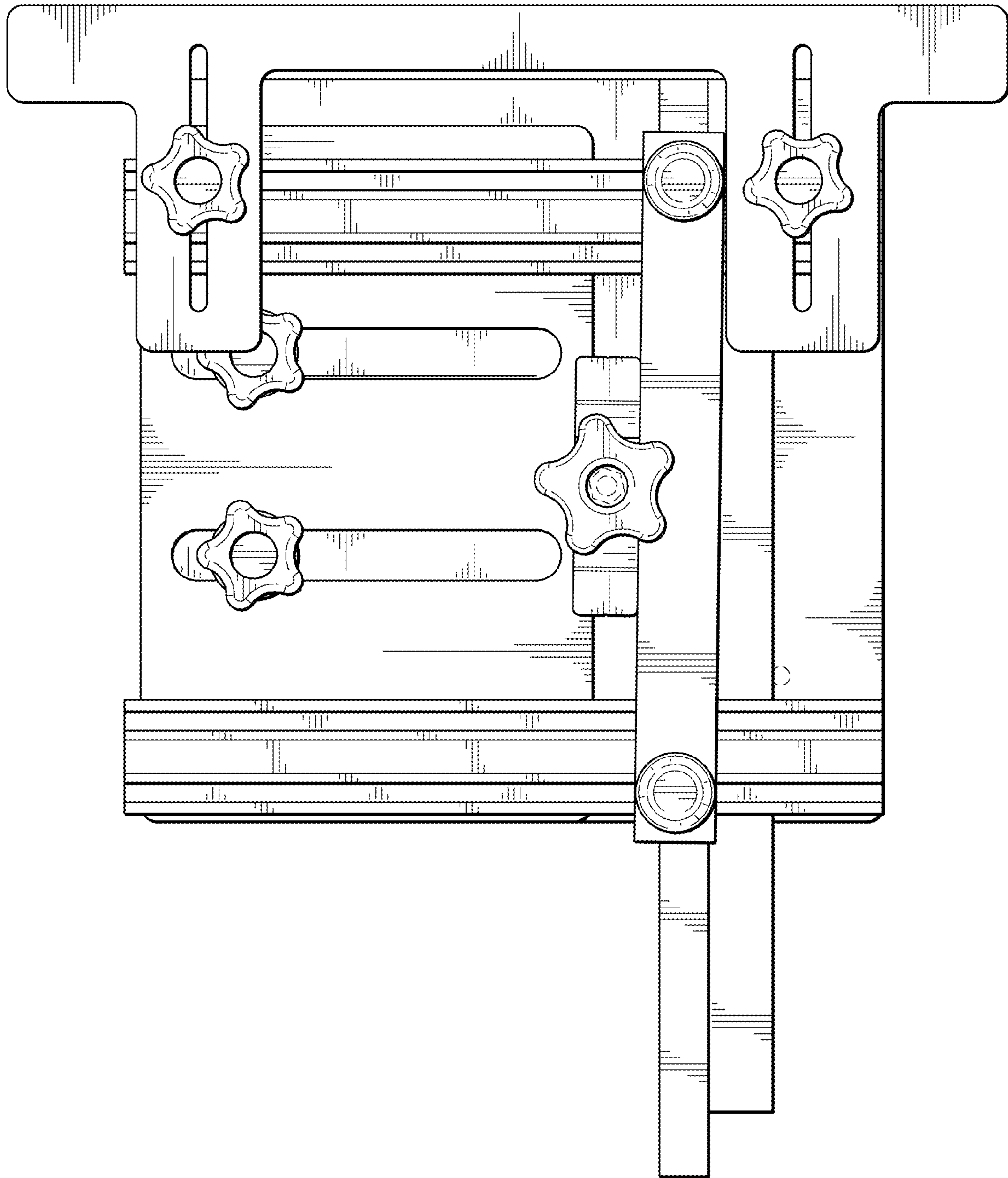


FIG. 6

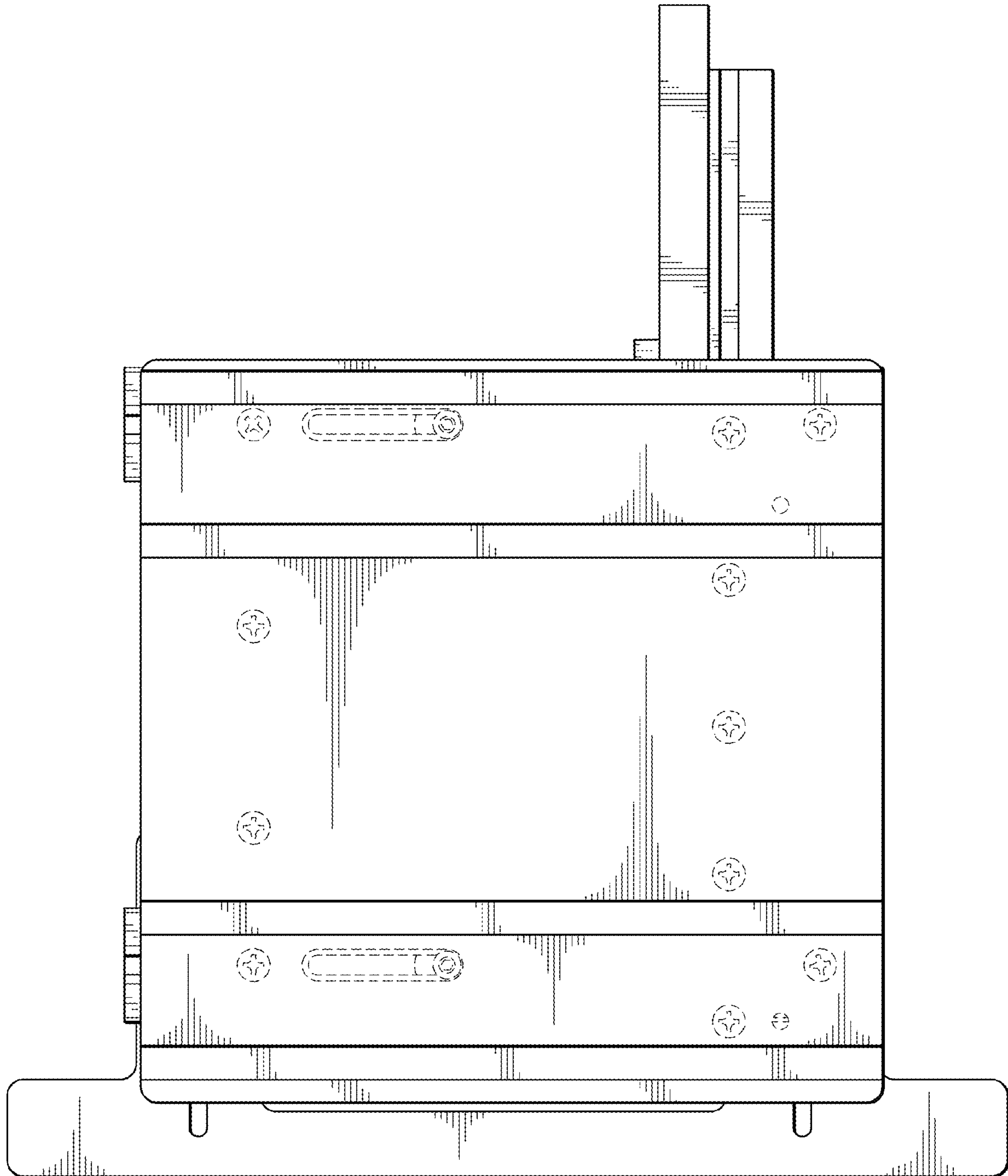


FIG. 7