



US00D985638S

(12) **United States Design Patent**
Duxbury

(10) **Patent No.:** **US D985,638 S**

(45) **Date of Patent:** **** May 9, 2023**

(54) **TAPER JIG**

D809,578 S * 2/2018 Cummings D15/140
D892,582 S 8/2020 Doherty
D894,707 S * 9/2020 Hall D15/138

(Continued)

(71) Applicant: **Woodpeckers, LLC**, Strongsville, OH
(US)

Primary Examiner — Michael C Stout

Assistant Examiner — Fritzgerald L Butac

(72) Inventor: **Nathan William Duxbury**, Northfield,
OH (US)

(74) *Attorney, Agent, or Firm* — Sand, Sebolt & Wernow
Co., LPA

(73) Assignee: **WOODPECKERS, LLC**, Strongsville,
OH (US)

(**) Term: **15 Years**

(57) **CLAIM**

(21) Appl. No.: **29/801,974**

The ornamental design for a taper jig, as shown and
described.

(22) Filed: **Aug. 2, 2021**

(51) **LOC (14) Cl.** **15-09**

DESCRIPTION

(52) **U.S. Cl.**

USPC **D15/140**

(58) **Field of Classification Search**

USPC D8/70, 71, 72; D10/65; D15/122,
D15/125–127, 133, 134, 139, 140, 141

CPC B23Q 3/005; B27B 25/10; Y10T 83/6609

See application file for complete search history.

(56) **References Cited**

U.S. PATENT DOCUMENTS

2,339,897 A	1/1944	Wetzler	
2,351,436 A	6/1944	Ketz	
4,125,251 A	11/1978	Jamieson, Jr.	
D267,625 S	1/1983	Dark	
D320,915 S	10/1991	Sanguino	
D332,562 S	1/1993	Fremont et al.	
D436,814 S	1/2001	Gore	
D568,706 S *	5/2008	Weiby	D8/72
D568,707 S *	5/2008	Weiby	D8/72
D574,864 S *	8/2008	McDaniel	D15/140
D577,752 S *	9/2008	McDaniel	D15/140
8,167,259 B2	5/2012	Spang, Jr. et al.	
D682,327 S *	5/2013	Perez	D15/140
D711,718 S	8/2014	Francaviglia	
D718,599 S	12/2014	Durocher et al.	
D809,032 S *	1/2018	Cummings	D15/140

FIG. 1 is a front, top, right side isometric perspective view
of a taper jig in accordance with my design.

FIG. 2 is a front elevation view of the taper jig shown in FIG.
1.

FIG. 3 is a rear elevation view of the taper jig shown in FIG.
1.

FIG. 4 is a left elevation view of the taper jig shown in FIG.
1.

FIG. 5 is a right elevation view of the taper jig shown in FIG.
1.

FIG. 6 is a top plan view of the taper jig shown in FIG. 1.

FIG. 7 is a bottom plan view of the taper jig shown in FIG.
1.

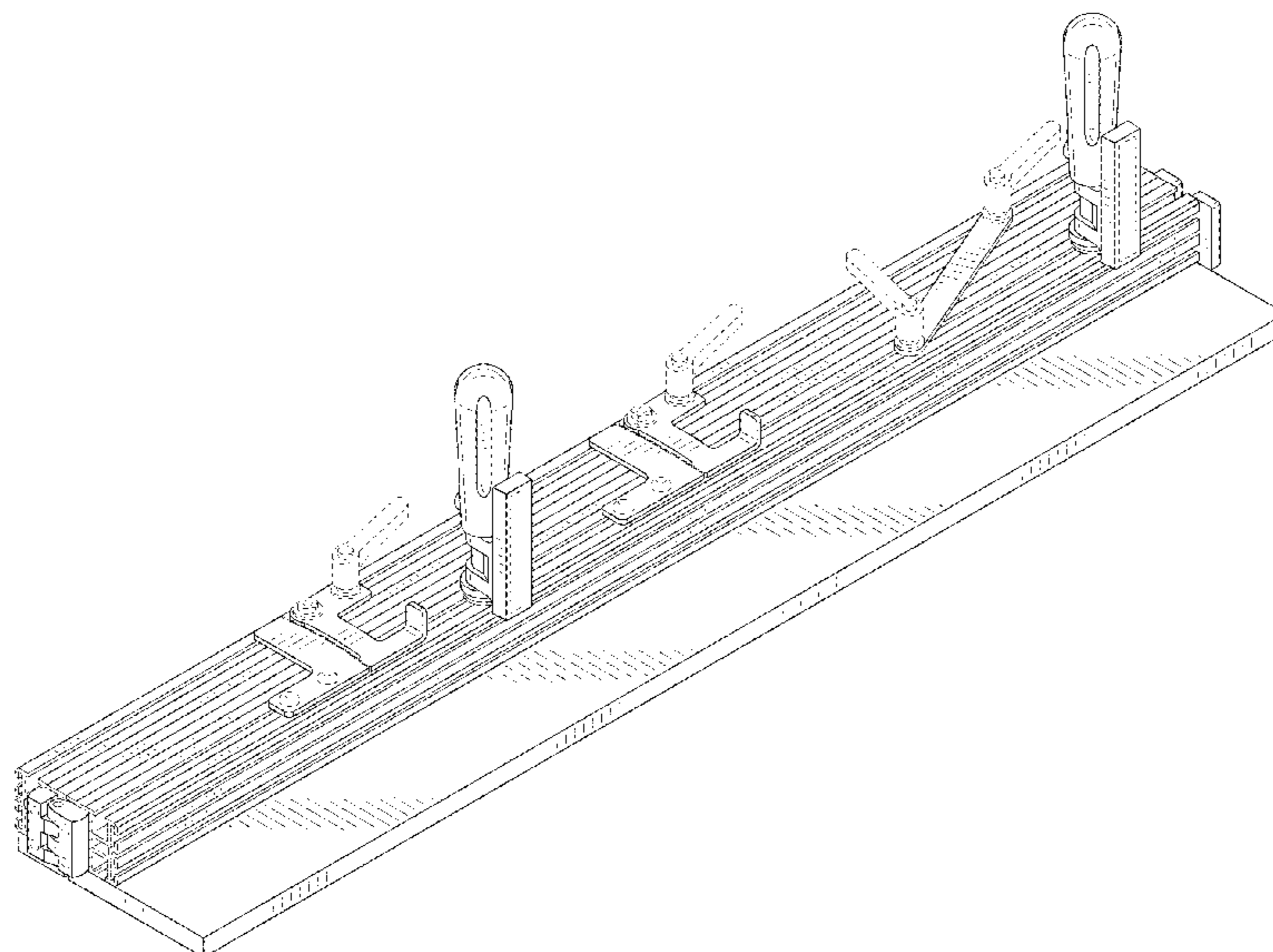
FIG. 8 is an enlarged partial top plan view of the taper jig
highlighted in FIG. 6; and,

FIG. 9 is an enlarged partial top plan view of the taper jig
highlighted in FIG. 6.

The broken lines show portions of a taper jig which form no
part of the claimed design.

The “dash-dot” broken lines seen in FIGS. 6, 8, and 9, are
for the purpose of showing an enlarged portion of the
claimed design, and form no part thereof.

1 Claim, 8 Drawing Sheets



(56)

References Cited

U.S. PATENT DOCUMENTS

D898,086 S * 10/2020 Schaaf B23B 47/287
D15/140
D903,452 S 12/2020 Lin
D903,456 S * 12/2020 Hall D15/138
D913,347 S * 3/2021 Hall D15/138

* cited by examiner

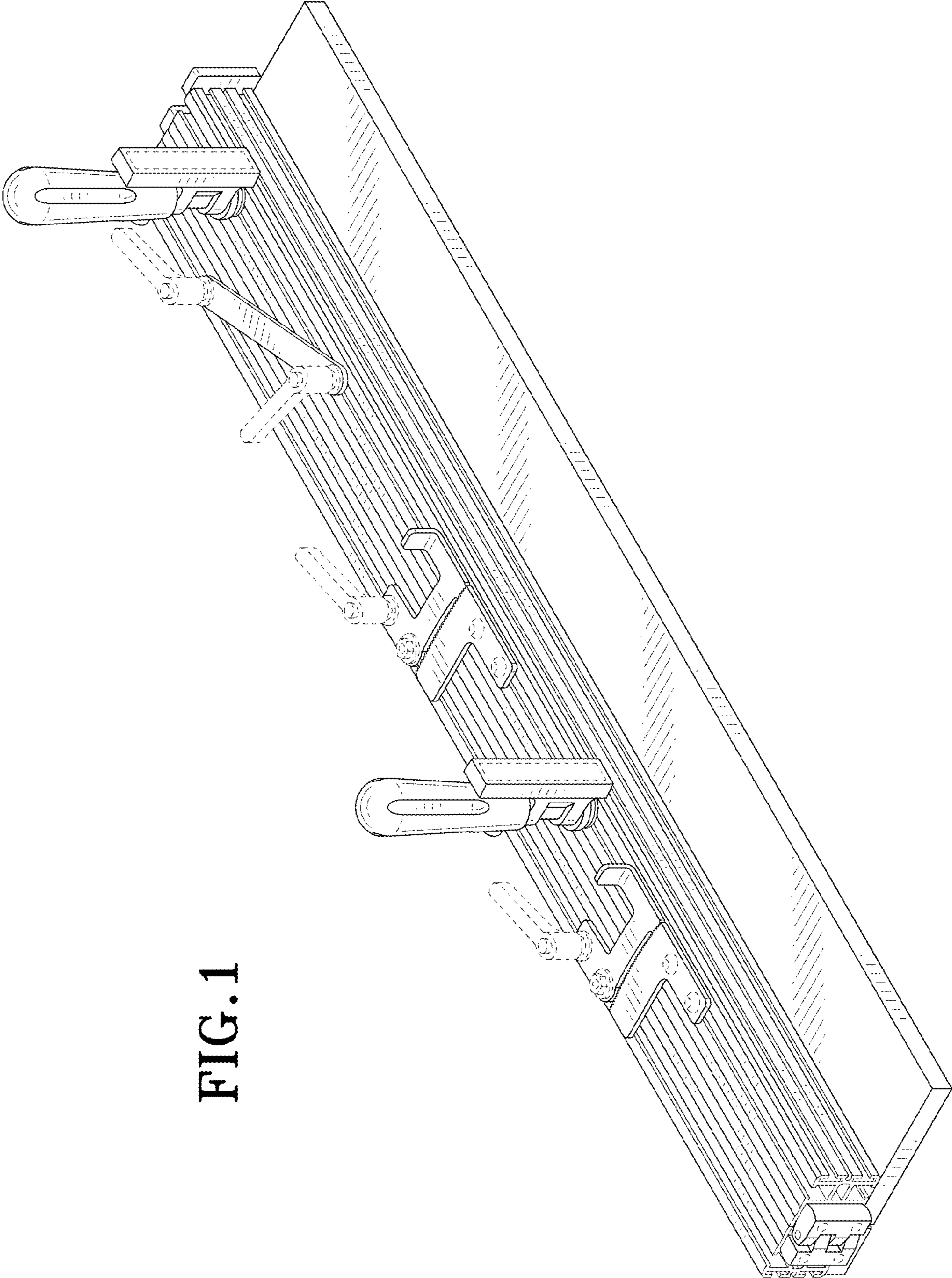


FIG. 1

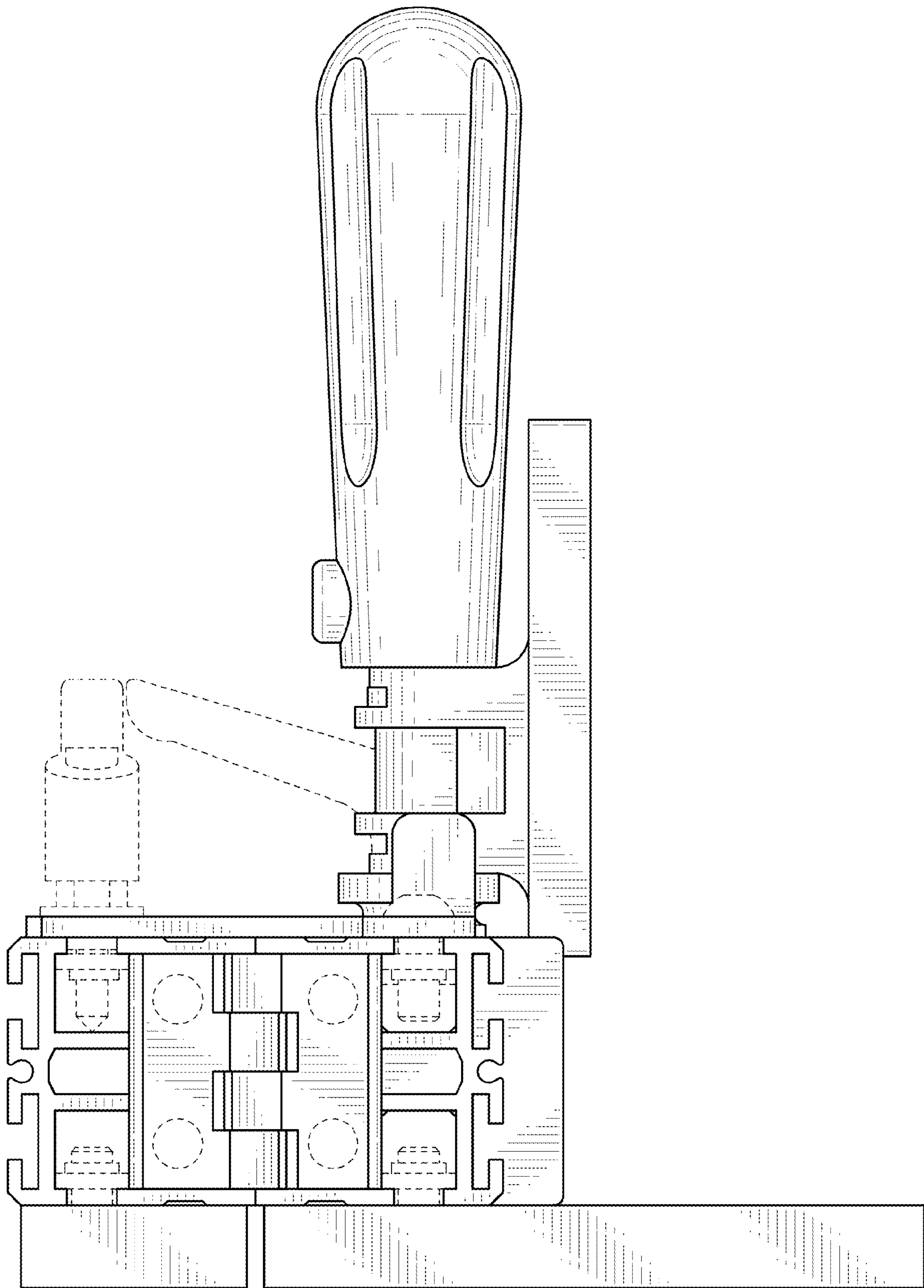


FIG. 2

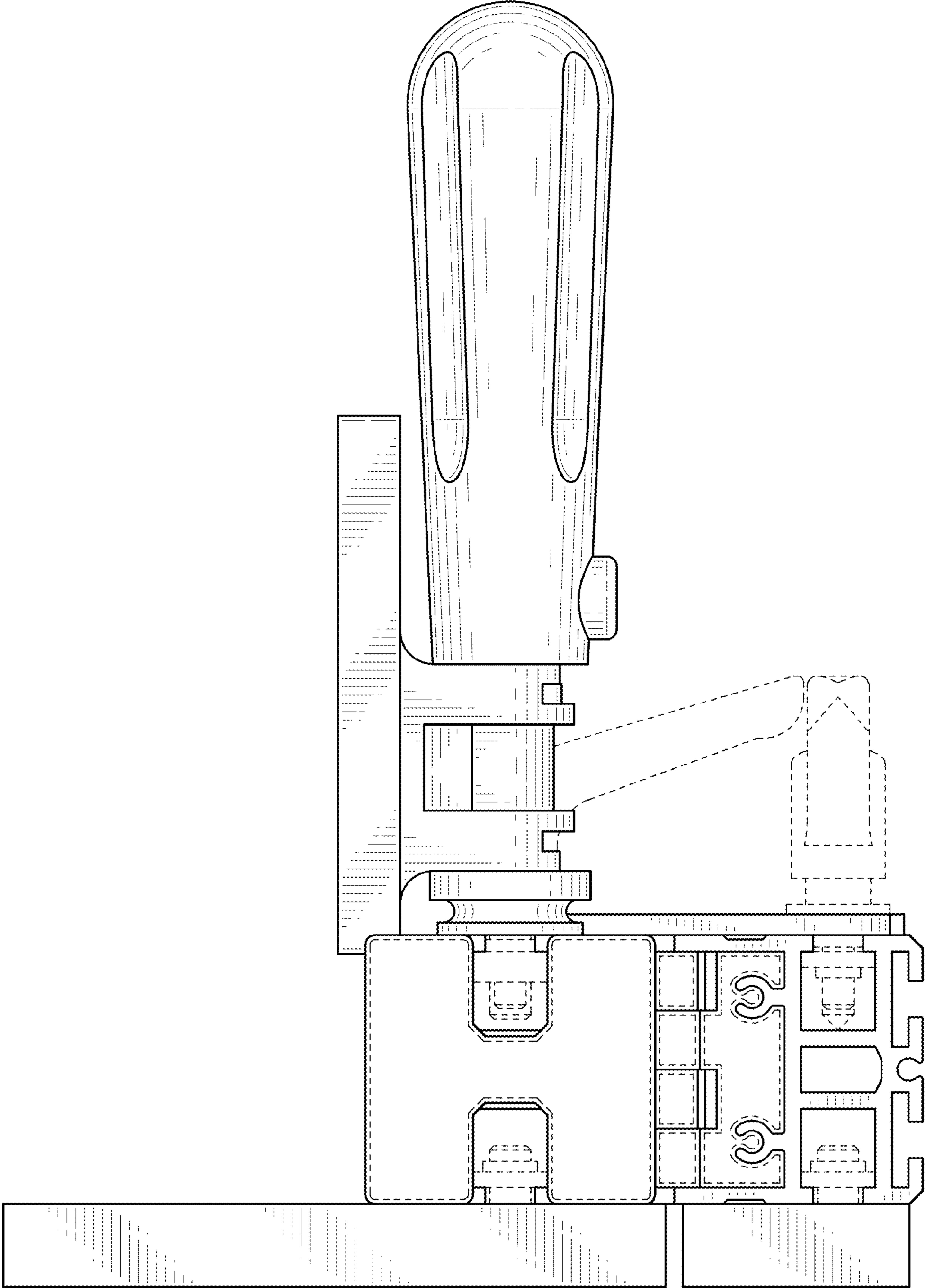


FIG. 3

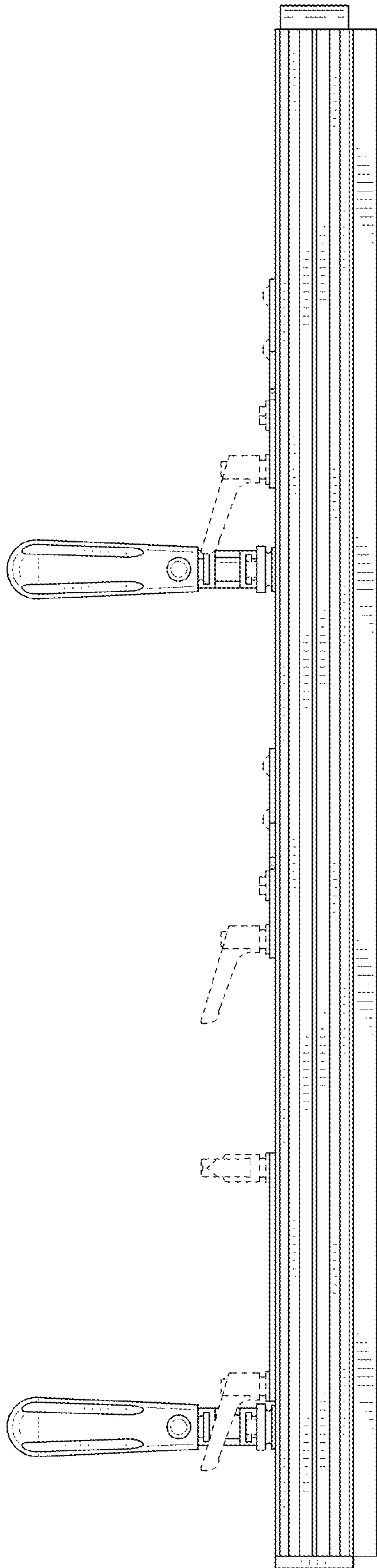


FIG. 4

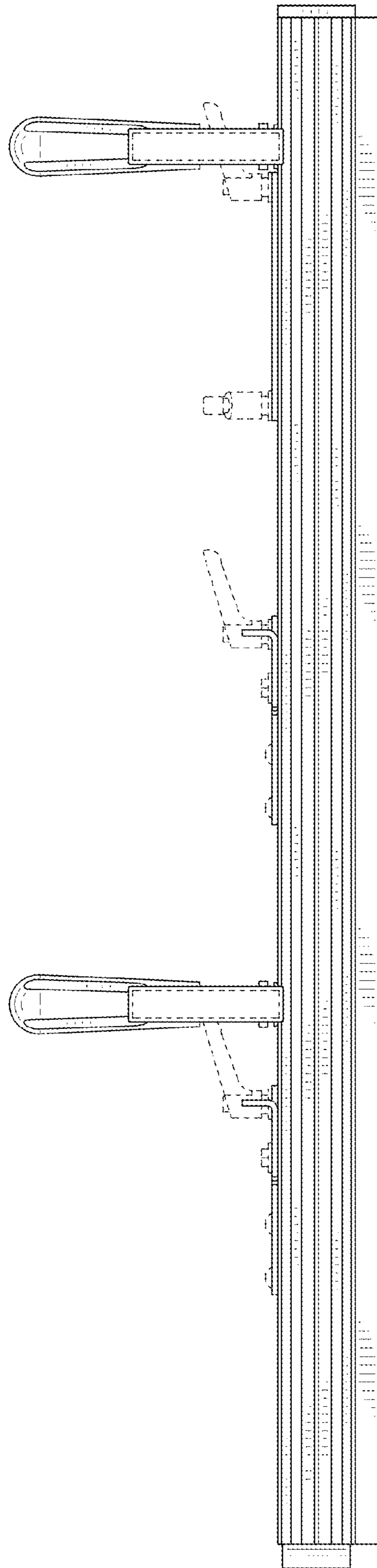


FIG. 5

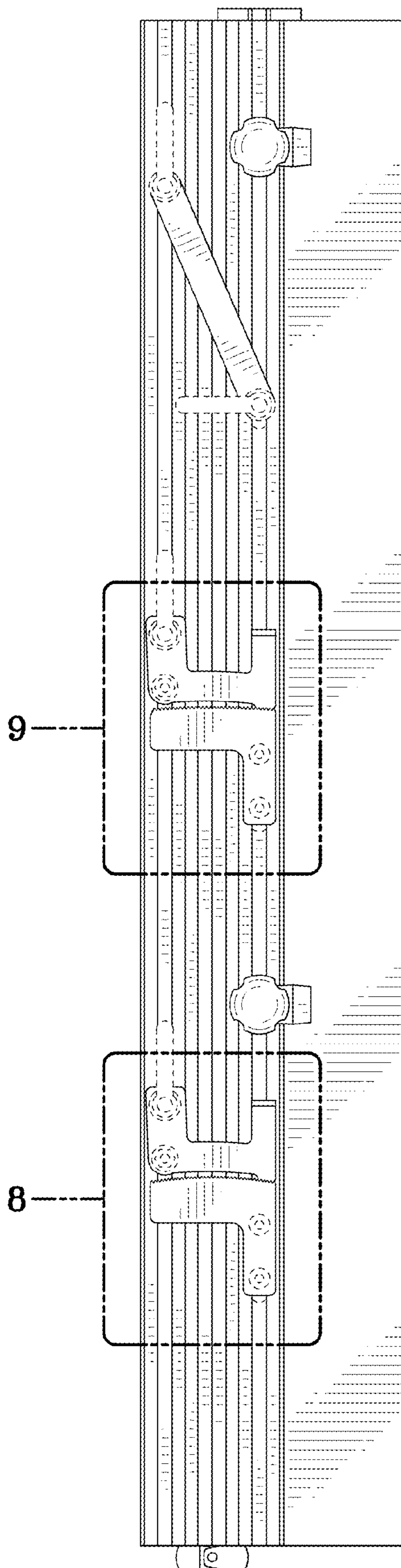


FIG. 6

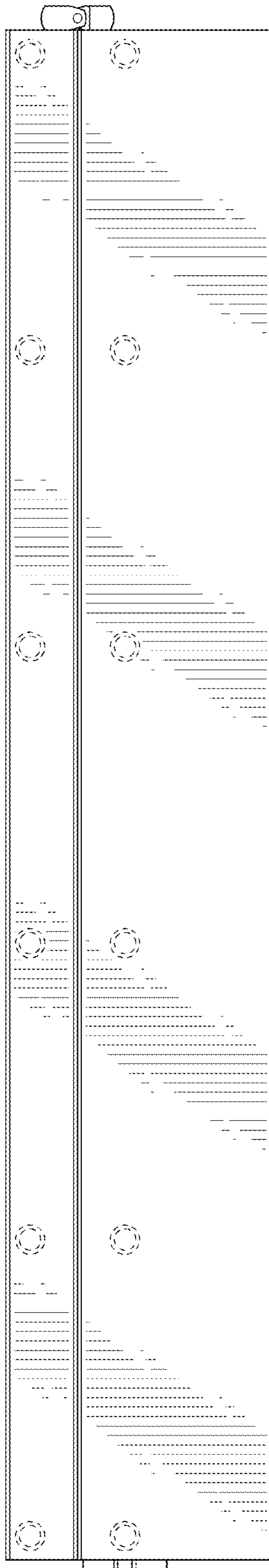


FIG. 7

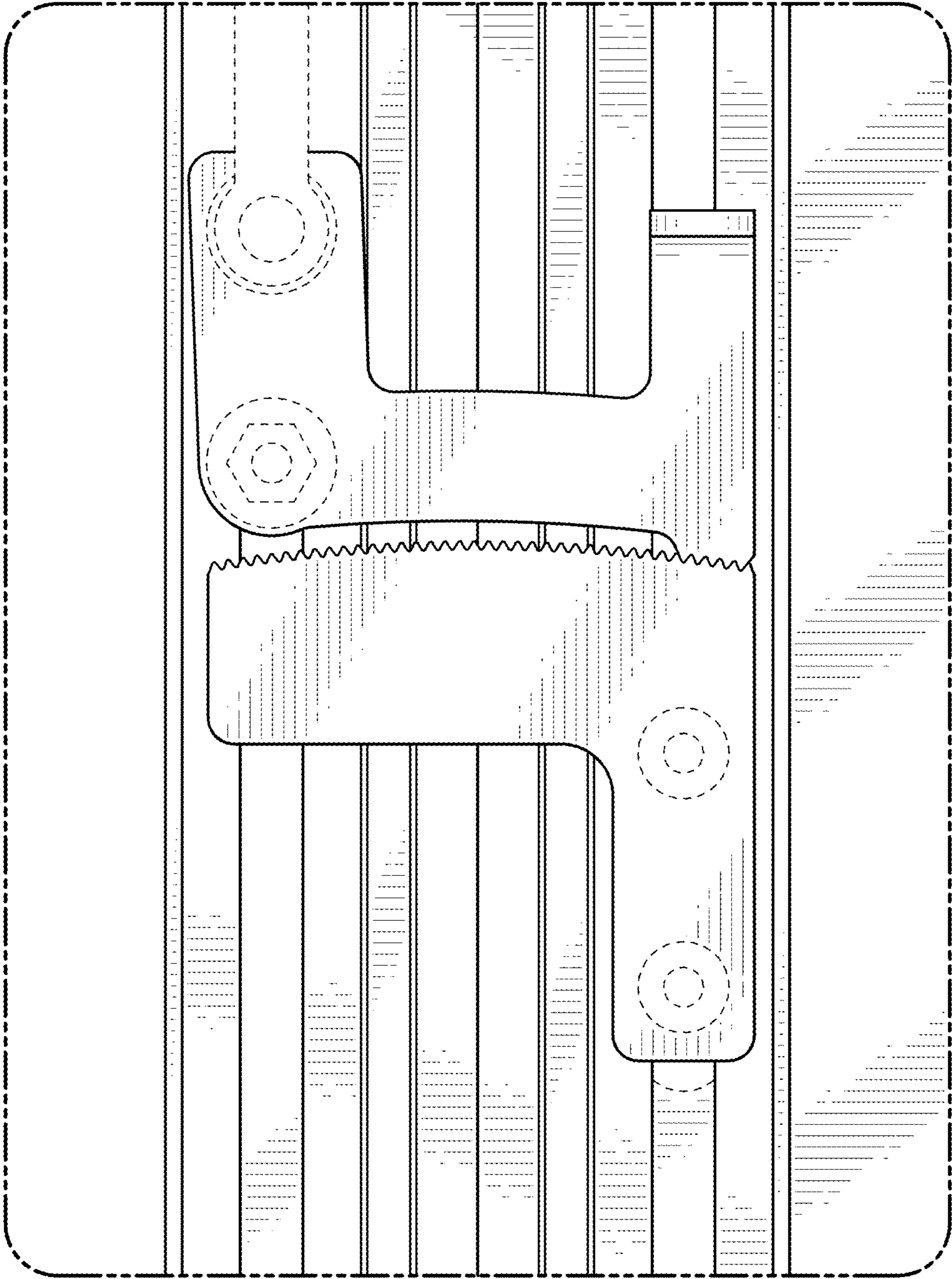


FIG. 8

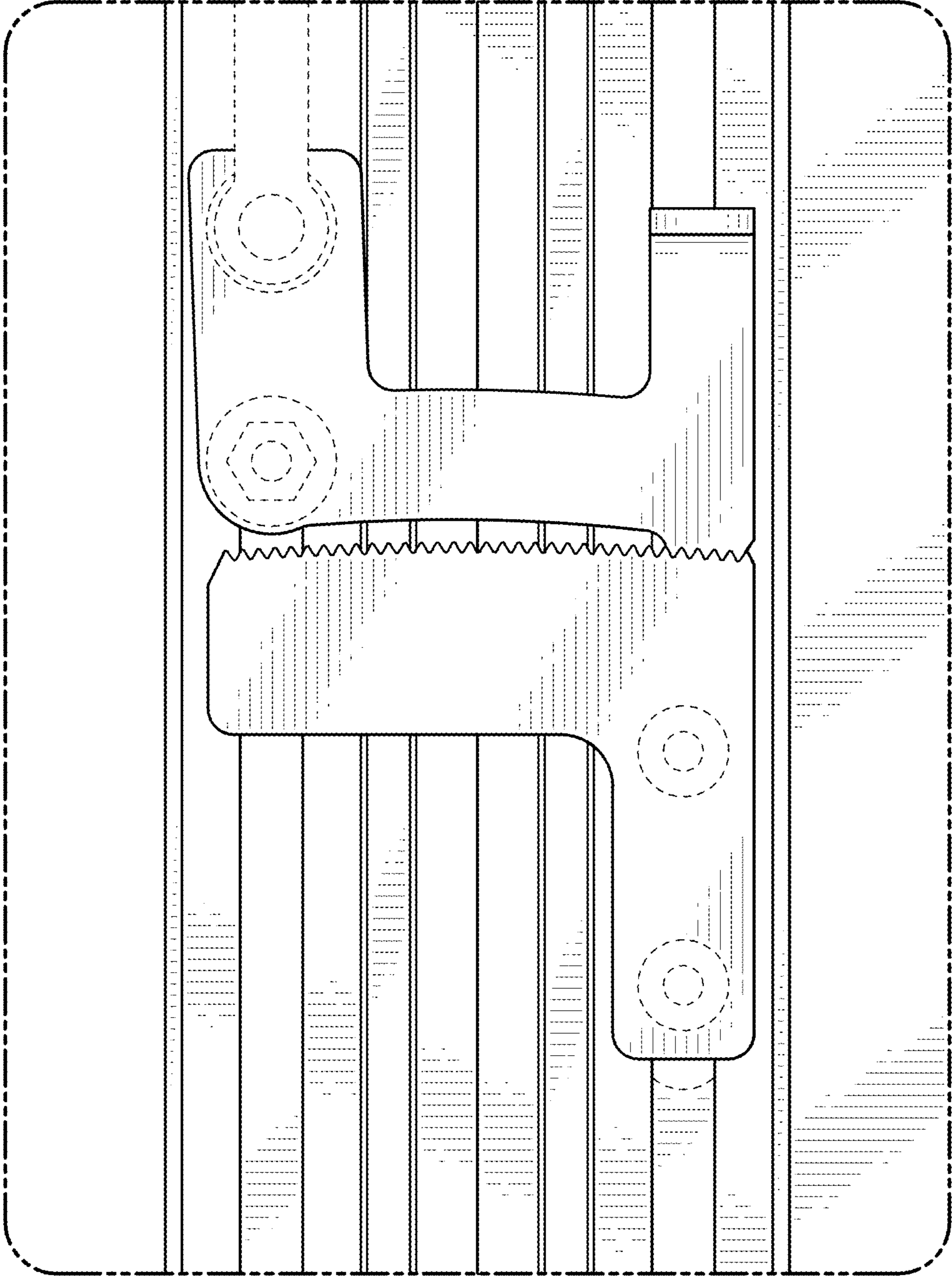


FIG. 9