



US00D985637S

(12) **United States Design Patent**  
**Wittnebel et al.**

(10) **Patent No.:** **US D985,637 S**  
(45) **Date of Patent:** **\*\* May 9, 2023**

- (54) **BOTTLE PLATE WITH COVER RING**
- (71) Applicant: **KRONES, INC.**, Franklin, WI (US)
- (72) Inventors: **Robert Wittnebel**, Ixonia, WI (US);  
**Samuel Hosch**, Oconomowoc, WI (US)
- (73) Assignee: **KRONES, INC.**, Franklin, WI (US)
- (\*\*) Term: **15 Years**

- D296,525 S \* 7/1988 Siegel ..... D9/438
- D319,786 S \* 9/1991 Rayner ..... D9/449
- D339,958 S \* 10/1993 Olsen ..... D7/392.1
- D371,276 S \* 7/1996 Laib ..... D7/388
- D455,607 S \* 4/2002 Johnson ..... D7/397
- D468,155 S \* 1/2003 Klock ..... D7/392.1
- D472,145 S \* 3/2003 Nottingham ..... D9/443

(Continued)

- (21) Appl. No.: **29/797,891**
- (22) Filed: **Jul. 2, 2021**
- (51) **LOC (14) Cl.** ..... **15-09**
- (52) **U.S. Cl.**  
USPC ..... **D15/138**
- (58) **Field of Classification Search**

USPC ..... D7/387, 391, 392.1, 396.1, 396.2, 396.6,  
D7/388, 402, 403; D9/434, 435, 436,  
D9/438, 439, 440, 442, 443, 445, 446,  
D9/452, 453, 454, 455, 456; D3/201,  
D3/273, 318, 319, 323; D23/209, 258,  
D23/259, 260, 261; D24/127, 162, 193,  
D24/194, 197, 199, 224, 227; D34/10,  
D34/11, 28, 35, 38, 39; D15/28, 138,  
D15/141, 145, 199

CPC ..... B25B 13/5008; B25B 15/008; B65D 1/02;  
B65D 1/0233; B65D 1/08; B65D 1/10;  
B65D 41/14; B65D 41/16; B65D  
41/3428; B65D 55/16; B65D 43/169;  
B65D 43/26; B65D 43/08; B65D  
2543/00972; B65D 2525/285; B65D  
2525/286; B65D 2525/287; B65D  
2525/288; B65D 53/02; A47G 19/24;  
B67D 3/00

See application file for complete search history.

(56) **References Cited**

**U.S. PATENT DOCUMENTS**

- D33,888 S \* 1/1901 Smith et al. .... D7/403
- D286,028 S \* 10/1986 DiFede ..... D9/435
- D295,962 S \* 5/1988 Conlon ..... D24/227

**OTHER PUBLICATIONS**

Krones Used Bottle Plate: Site Visited (Sep. 21, 2022). Available from Internet URL: [https://www.ebay.com/itm/275325084617?chn=ps&norover=1&mkevt=1&mkrid=711-117182-37290-0&mkcid=2&itemid=275325084617&targetid=1263433204774&device=c&mktype=&googleloc=9059726&poi=&campaignid=14859008593&mkgroupid=130497710760&rlsarget=pla-1263433204774&abclid=9300678&merchantid=115277589&gclid=Cj0KCQjw7KqZBhCBARIs.\\*](https://www.ebay.com/itm/275325084617?chn=ps&norover=1&mkevt=1&mkrid=711-117182-37290-0&mkcid=2&itemid=275325084617&targetid=1263433204774&device=c&mktype=&googleloc=9059726&poi=&campaignid=14859008593&mkgroupid=130497710760&rlsarget=pla-1263433204774&abclid=9300678&merchantid=115277589&gclid=Cj0KCQjw7KqZBhCBARIs.*)

*Primary Examiner* — Catherine S Posthauer  
(74) *Attorney, Agent, or Firm* — Marshall, Gerstein & Borun LLP

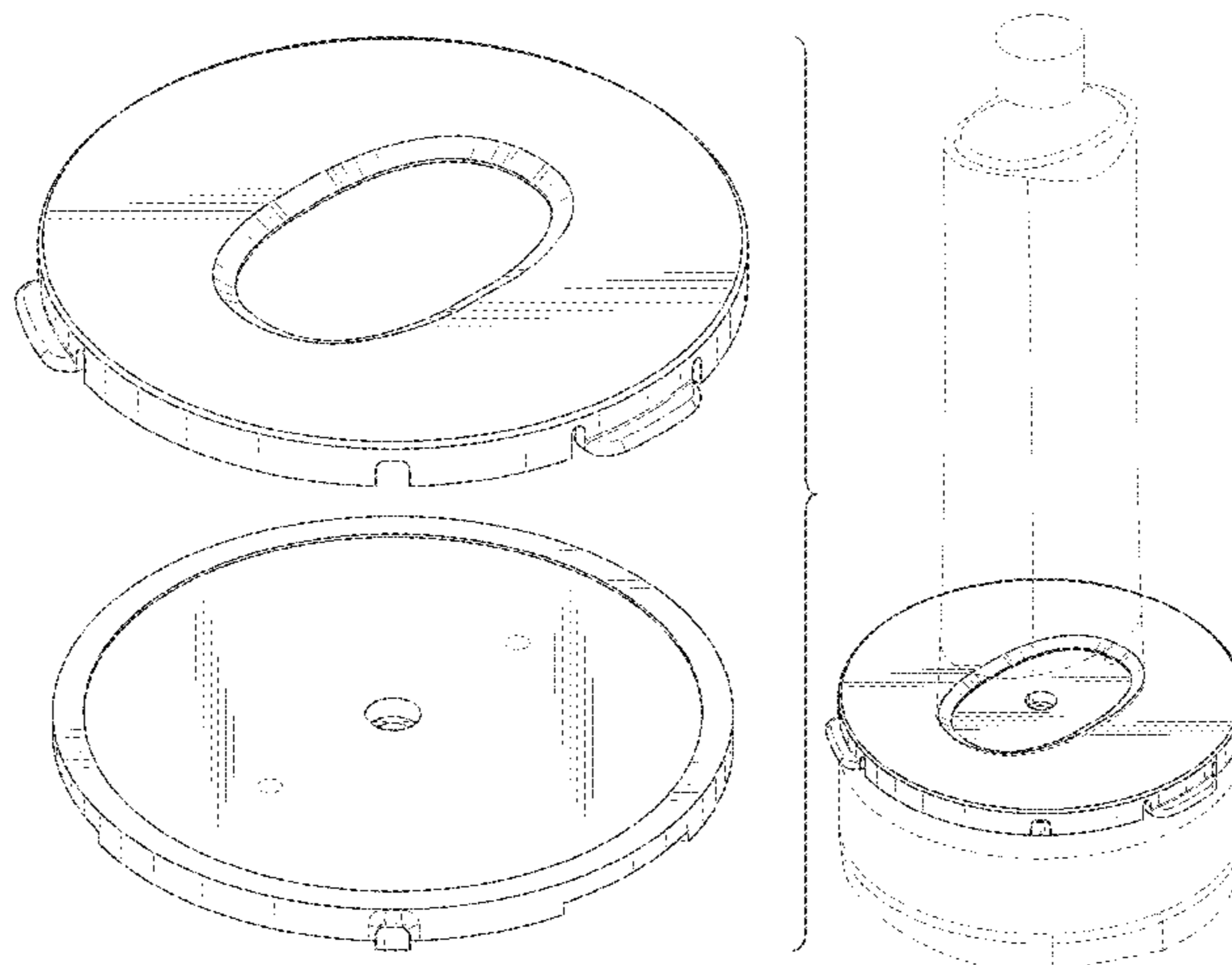
(57) **CLAIM**

The ornamental design for a bottle plate with cover ring, as shown and described.

**DESCRIPTION**

FIG. 1 is a top, right, front perspective view of a bottle plate with cover ring showing the new design;  
 FIG. 2 is a front view thereof;  
 FIG. 3 is a rear view thereof;  
 FIG. 4 is a right side view thereof;  
 FIG. 5 is a left side view thereof;  
 FIG. 6 is a top view thereof;  
 FIG. 7 is a bottom view thereof;  
 FIG. 8 is an exploded top, right, front perspective view thereof; and,  
 FIG. 9 is another top, right, front perspective view thereof, shown in a position of use with an exemplary support stand and bottle.

(Continued)



The broken lines are shown for the purpose of illustrating both parts of the article as well as environmental subject matter. None of the broken lines form part of the claimed design.

**1 Claim, 6 Drawing Sheets**

(56)

**References Cited**

U.S. PATENT DOCUMENTS

D502,050 S \* 2/2005 Munson ..... D7/392.1  
 D502,052 S \* 2/2005 Meade ..... D7/396.2  
 D515,865 S \* 2/2006 Kim ..... D7/392.1  
 D518,377 S \* 4/2006 Kortleven ..... D7/392.1  
 D526,158 S \* 8/2006 Laib ..... D7/392.1  
 D528,359 S \* 9/2006 Laib ..... D7/392.1  
 D543,109 S \* 5/2007 Carlson ..... D9/455  
 D682,106 S \* 5/2013 Ramsey ..... D9/454

D682,982 S \* 5/2013 Wood ..... D23/206  
 D706,075 S \* 6/2014 Houser ..... D7/391  
 D708,470 S \* 7/2014 Heiberg ..... D7/354  
 D750,493 S \* 3/2016 Andujar ..... D9/454  
 D752,915 S \* 4/2016 Castriota ..... D7/354  
 D759,425 S \* 6/2016 Castriota ..... D7/354  
 D772,002 S \* 11/2016 Affatato ..... D7/354  
 D805,836 S \* 12/2017 Yessin ..... D7/391  
 D807,113 S \* 1/2018 Pallotto ..... D7/391  
 D809,385 S \* 2/2018 Brinkworth ..... D7/392.1  
 D839,666 S \* 2/2019 Bradshaw ..... D7/396.2  
 D848,206 S \* 5/2019 Hartstein ..... D7/391  
 D848,207 S \* 5/2019 Holding ..... D7/354  
 D877,558 S \* 3/2020 Dorfmueller ..... D7/391  
 D917,962 S \* 5/2021 Hartley ..... D7/392.1  
 D920,115 S \* 5/2021 Lee ..... D9/454  
 D953,100 S \* 5/2022 de Sicart ..... D7/354  
 D955,160 S \* 6/2022 Liu ..... D7/391  
 2012/0248110 A1 \* 10/2012 Wu ..... B65D 43/0208  
 220/367.1  
 2022/0112011 A1 \* 4/2022 McNamara ..... B65D 51/18

\* cited by examiner

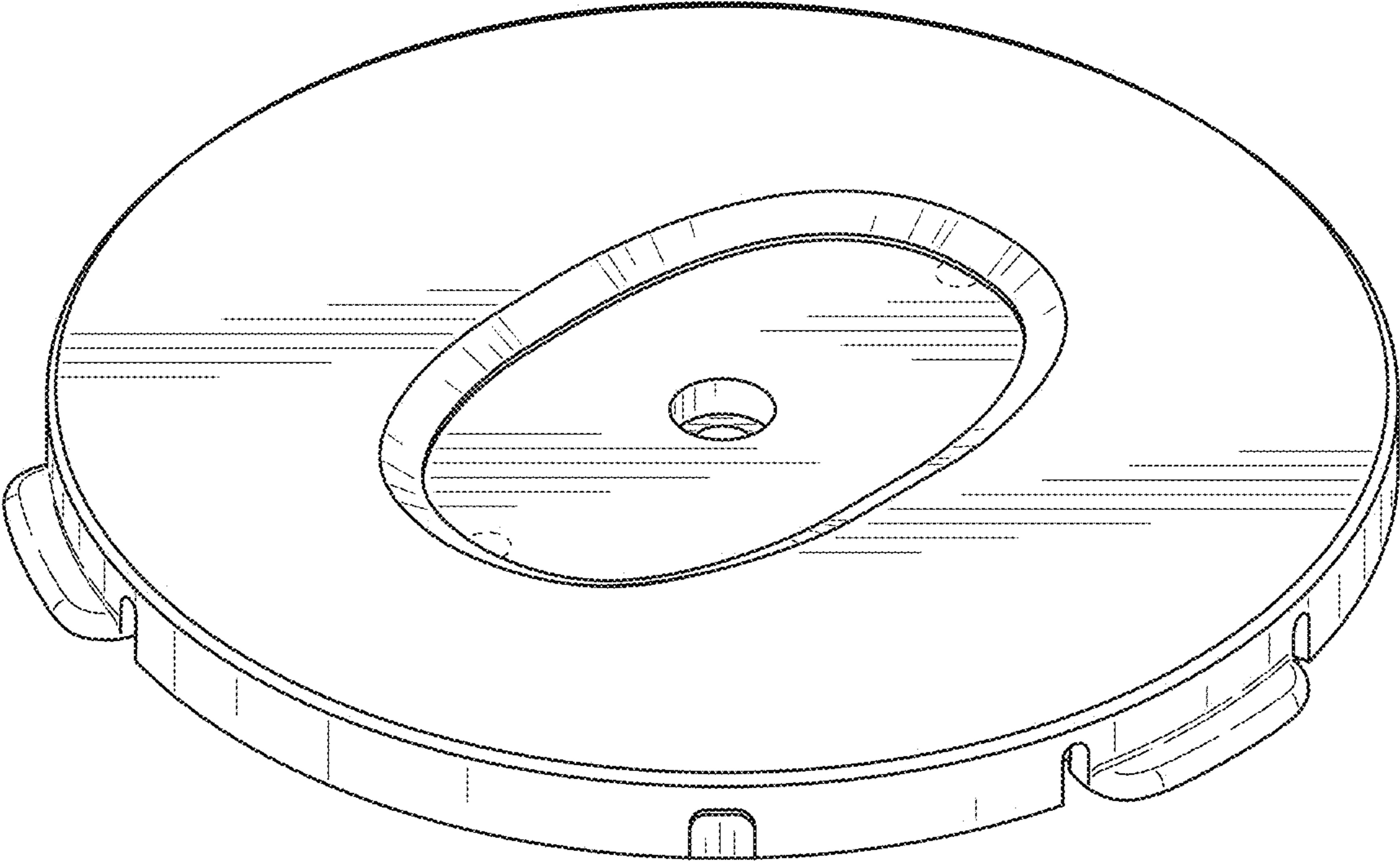


FIG. 1



FIG. 2

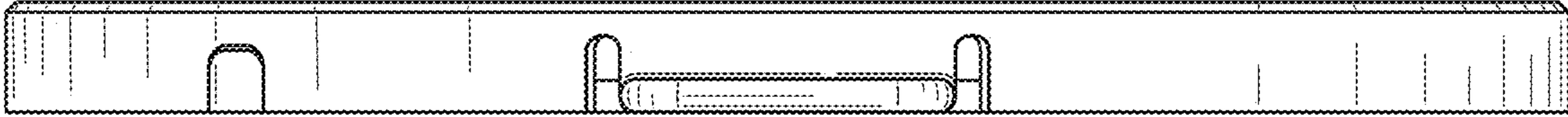


FIG. 3



FIG. 4



FIG. 5

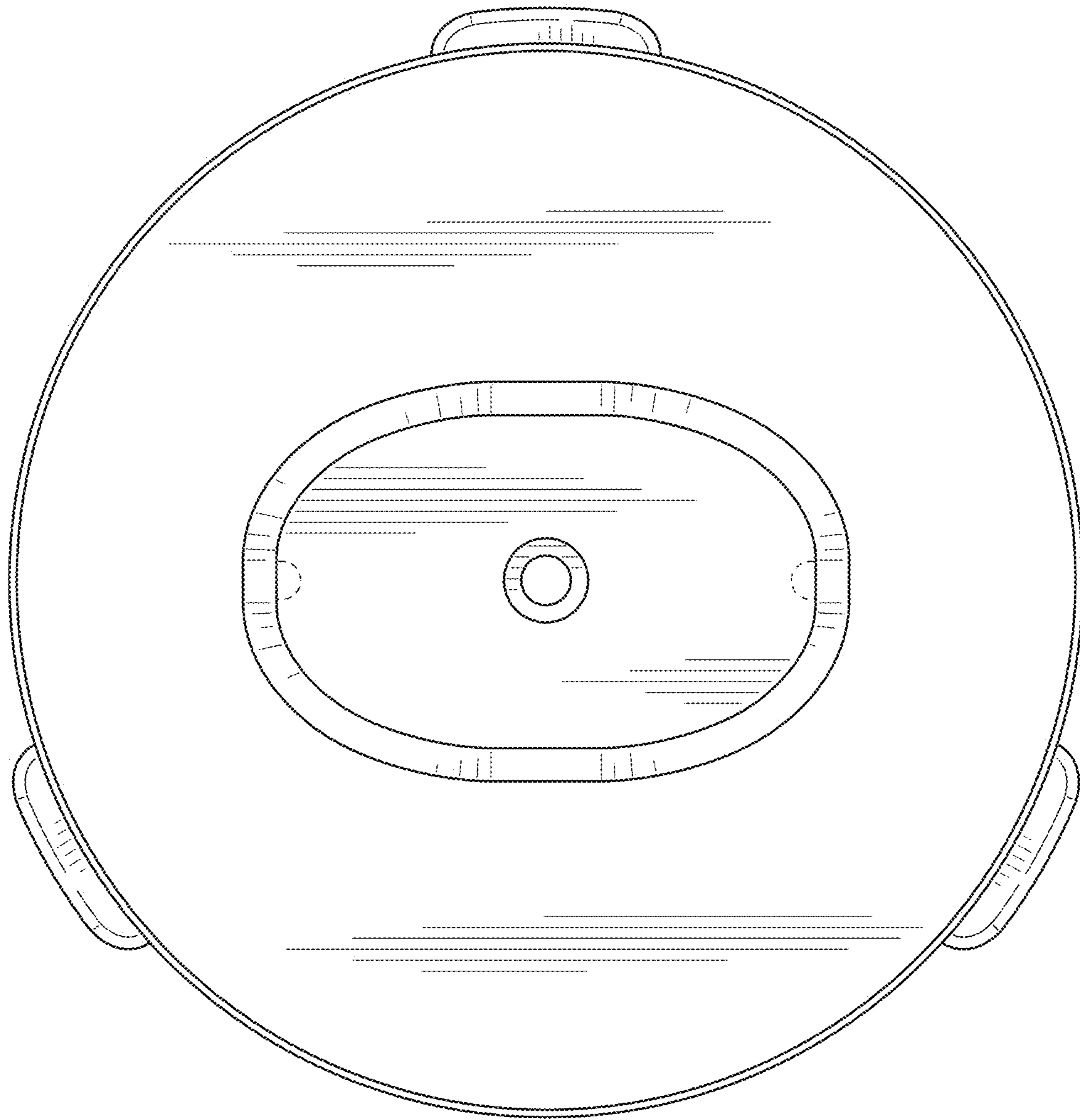


FIG. 6

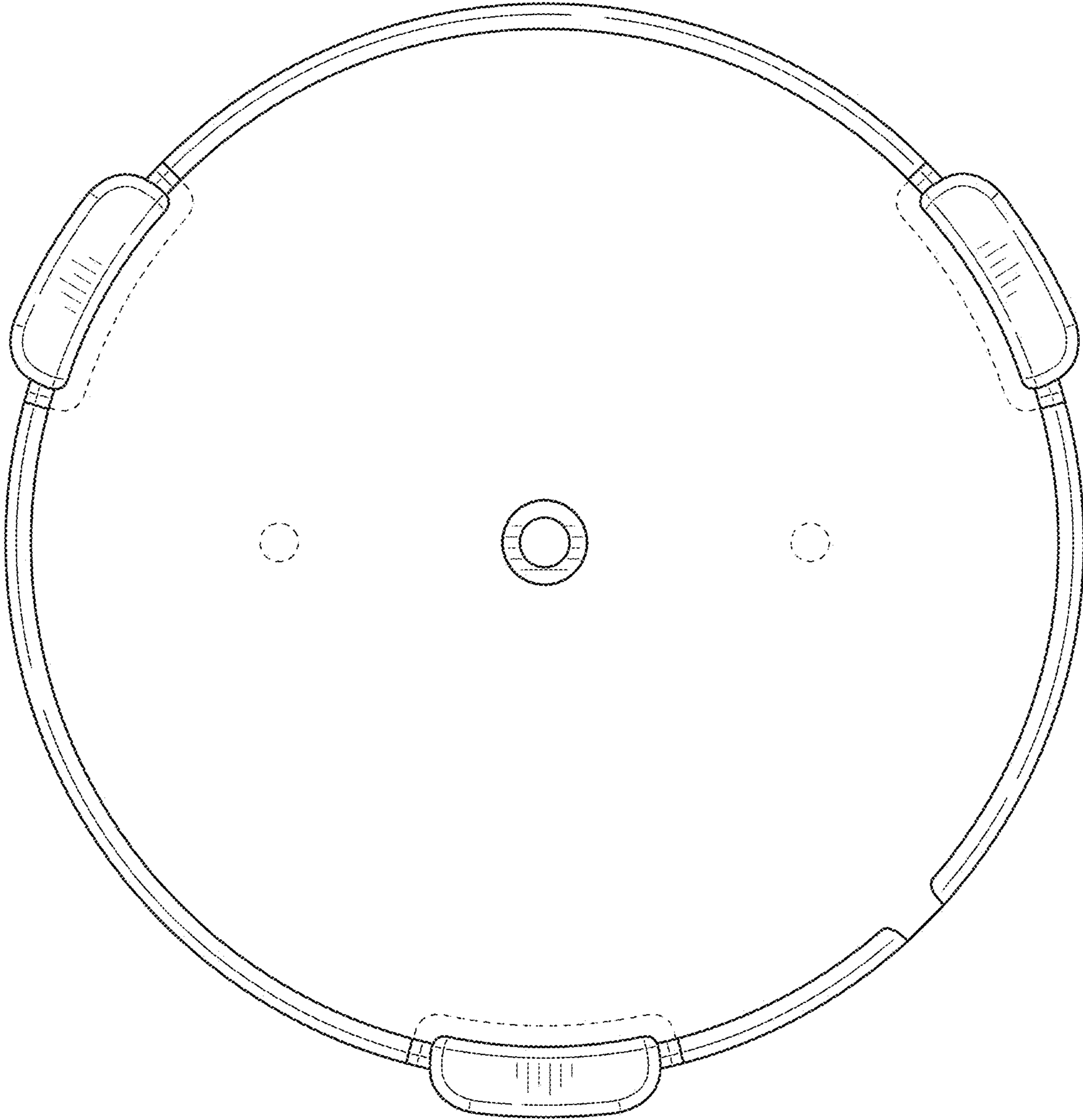


FIG. 7

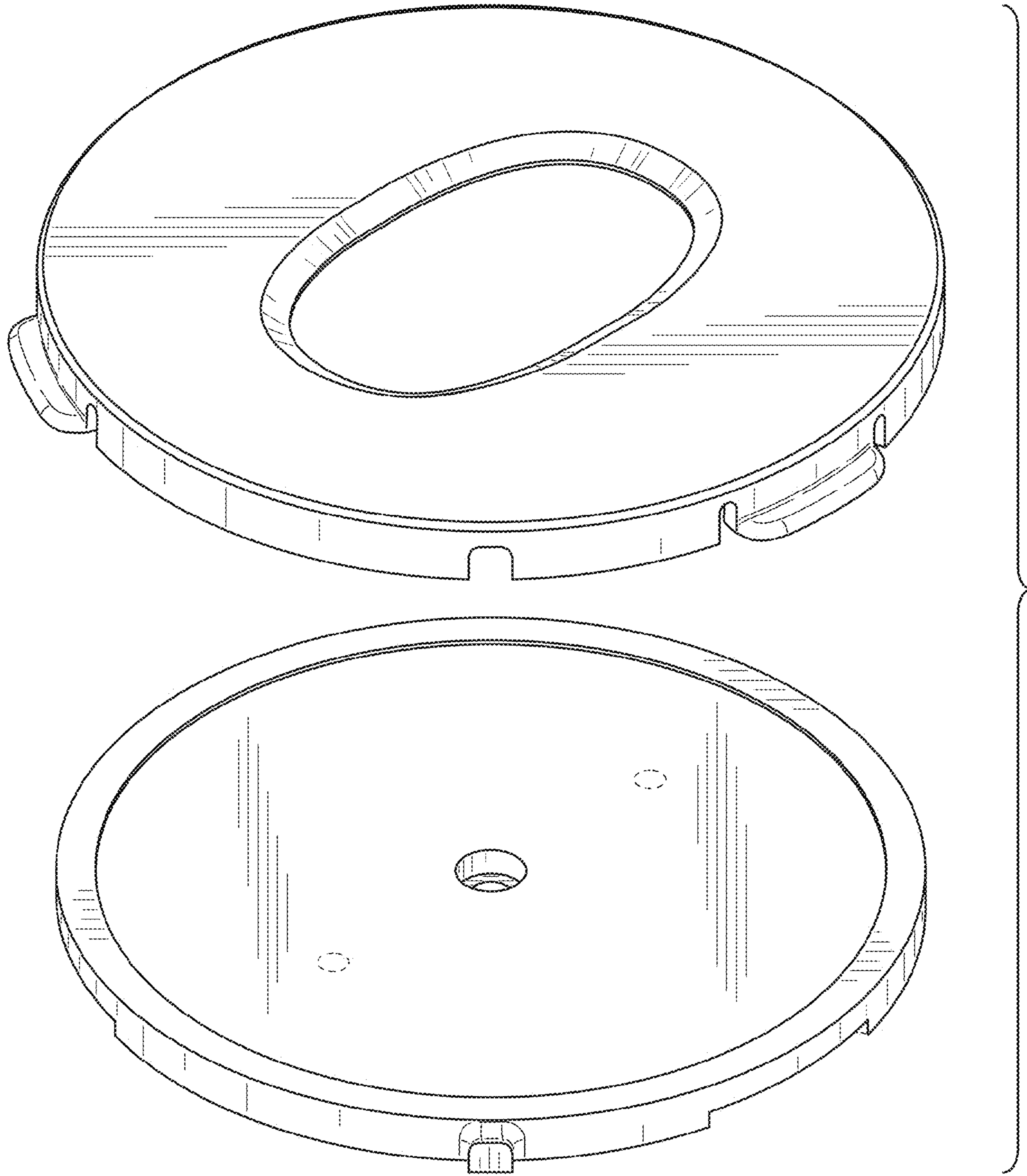


FIG. 8

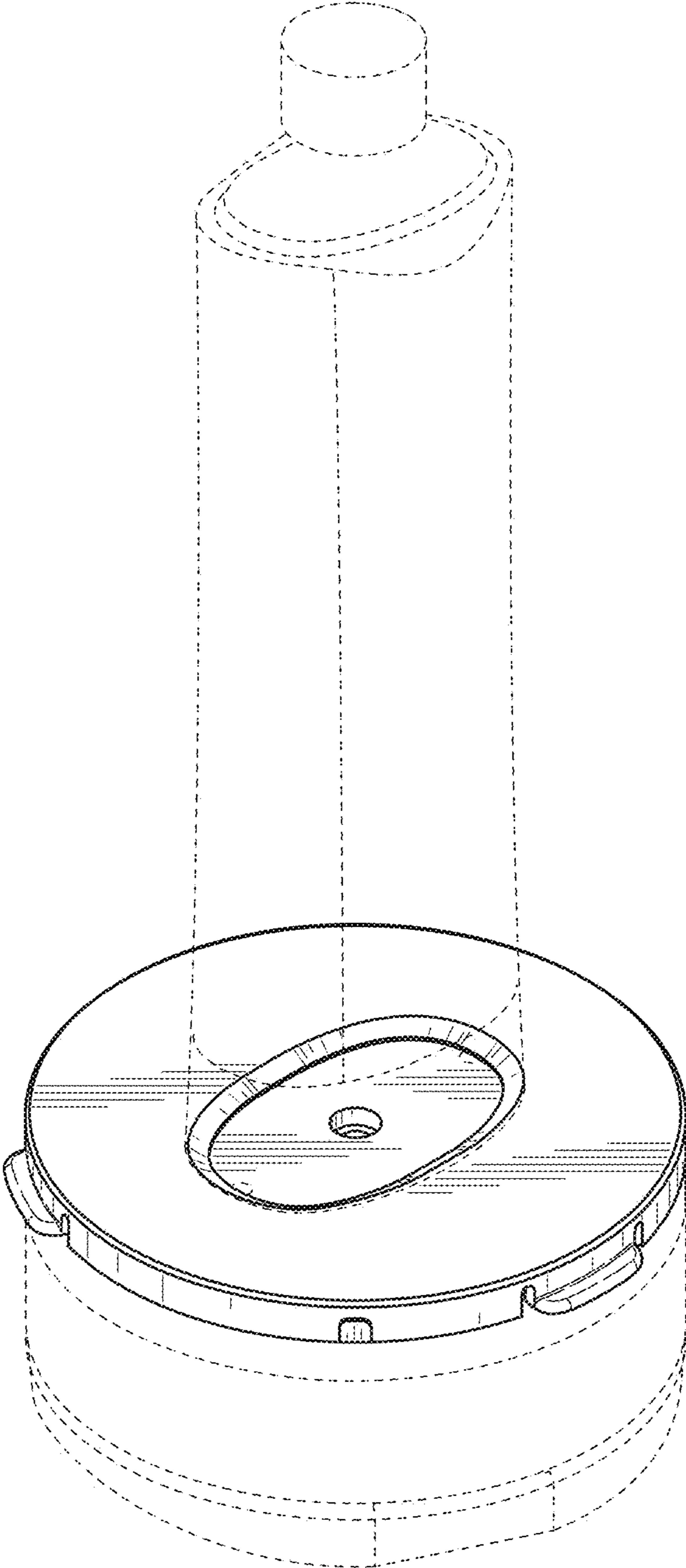


FIG. 9