



US00D985636S

(12) **United States Design Patent** (10) **Patent No.:** **US D985,636 S**  
**Zhou** (45) **Date of Patent:** **\*\* May 9, 2023**

(54) **PRINTING NOZZLE**

(71) Applicant: **Nanjing Wiibox 3d Technology Co., Ltd.**, Nanjing (CN)

(72) Inventor: **Haipeng Zhou**, Nanjing (CN)

(73) Assignee: **Nanjing Wiibox 3d Technology Co., Ltd.**, Nanjing (CN)

(\*\*) Term: **15 Years**

(21) Appl. No.: **29/809,968**

(22) Filed: **Sep. 30, 2021**

(51) **LOC (14) Cl.** ..... **15-09**

(52) **U.S. Cl.**  
USPC ..... **D15/135**

(58) **Field of Classification Search**

USPC .... D10/46, 49, 61, 62, 70, 81, 83; D15/122, D15/135, 136, 138, 139, 144, 144.1, 199; D18/18, 36, 40, 50, 56; D13/101, 118, D13/184, 166; D14/36, 50, 56  
CPC ..... B29C 64/106; B29C 64/118  
See application file for complete search history.

(56) **References Cited**

**U.S. PATENT DOCUMENTS**

D749,157 S *	2/2016	Seidenberg	.....	D15/138
D839,349 S *	1/2019	Cowen	.....	D19/177
D875,794 S *	2/2020	Montgomery	.....	B29C 64/106
				D15/122
D900,179 S *	10/2020	Yarka	.....	D15/138
D955,471 S *	6/2022	Jing	.....	D18/50
11,433,607 B2 *	9/2022	Zhou	.....	A23P 30/20
2022/0227045 A1 *	7/2022	Zhou	.....	B29C 64/393

**OTHER PUBLICATIONS**

Wiibox Sweetin Food 3D Printer; posted on wiibox.com; no production date given, no posted date given; [online]; [site visited

Nov. 2, 2022]; available from internet: URL: <https://www.wiibox.com/3d-printer-wiibox-sweetin.php> (Year: 2022).\*  
Luckybot 3D Printer Extruder; posted on youtube.com; posted Oct. 2, 2021; [online]; [site visited Nov. 2, 2021]; available from internet; URL: <https://www.youtube.com/watch?v=k0Ur98gH8Zo> (Year: 2021).\*

\* cited by examiner

*Primary Examiner* — Michael C Stout  
*Assistant Examiner* — Fitzgerald L Butac

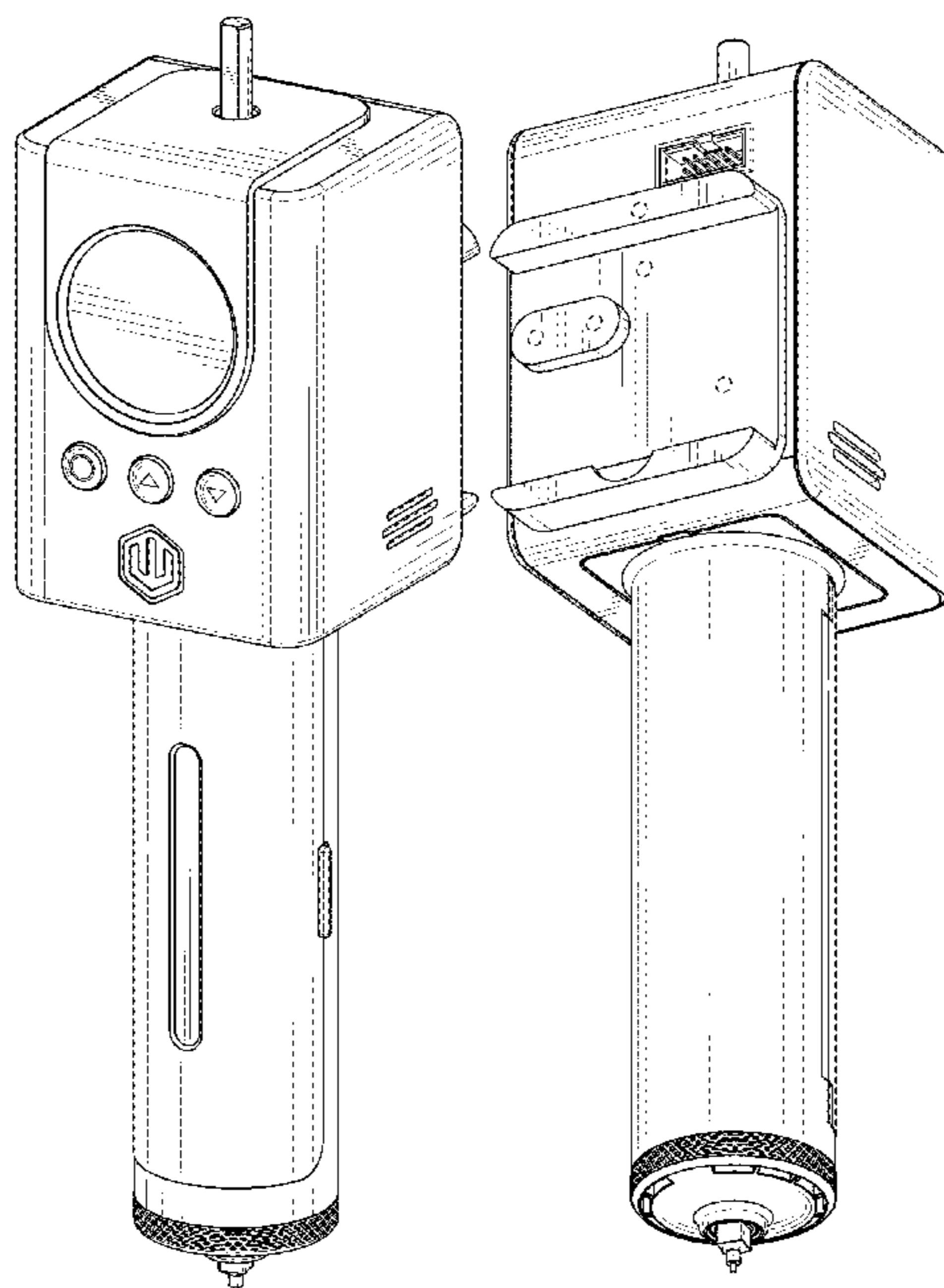
(57) **CLAIM**

The ornamental design for a printing nozzle, as shown and described.

**DESCRIPTION**

FIG. 1 is a top, front and right perspective view of a printing nozzle showing my new design;  
FIG. 2 is a left, rear and bottom perspective view thereof;  
FIG. 3 is a front view thereof;  
FIG. 4 is a rear view thereof;  
FIG. 5 is a left side view thereof;  
FIG. 6 is a right side view thereof;  
FIG. 7 is a top plan view thereof;  
FIG. 8 is a bottom plan view thereof;  
FIG. 9 is another perspective view thereof, in an environment of use; and,  
FIG. 10 is another perspective view of the claimed design in an opened state.  
The broken lines show portions of a printing nozzle which form no part of the claimed design. The broken lines seen in FIG. 9 are for the purpose of showing environmental structure, and form no part of the claimed design.

**1 Claim, 10 Drawing Sheets**



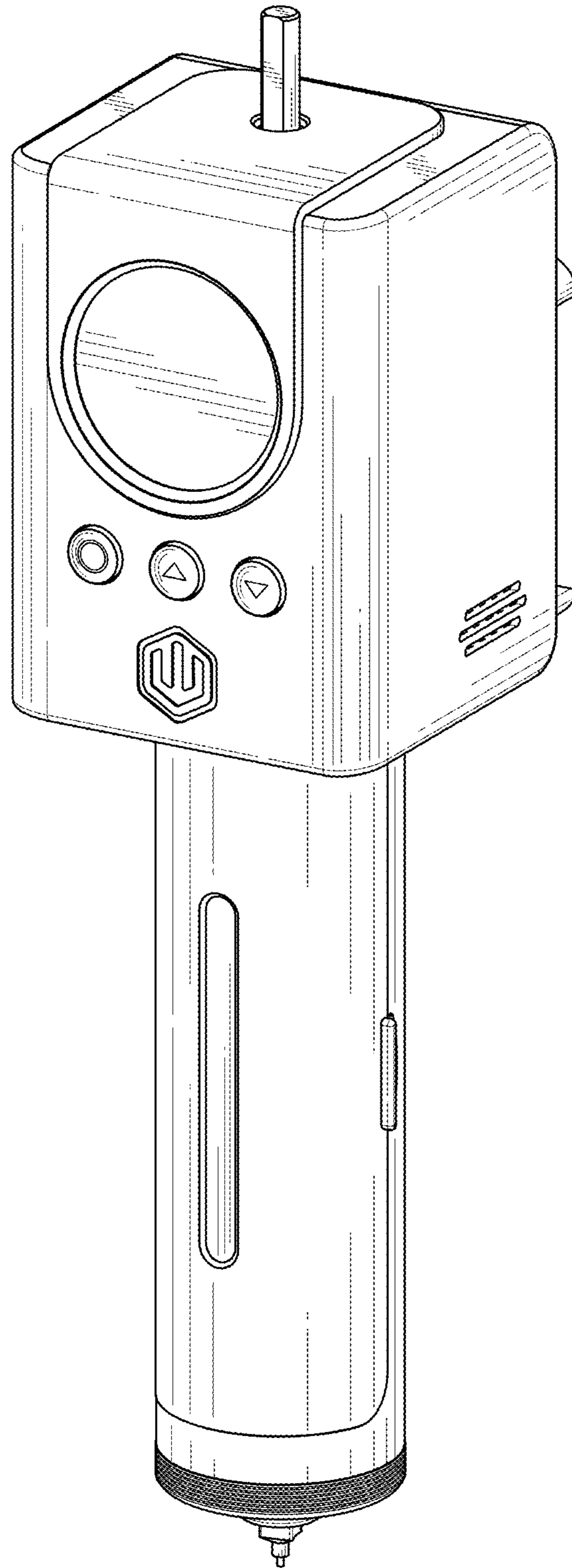


FIG. 1

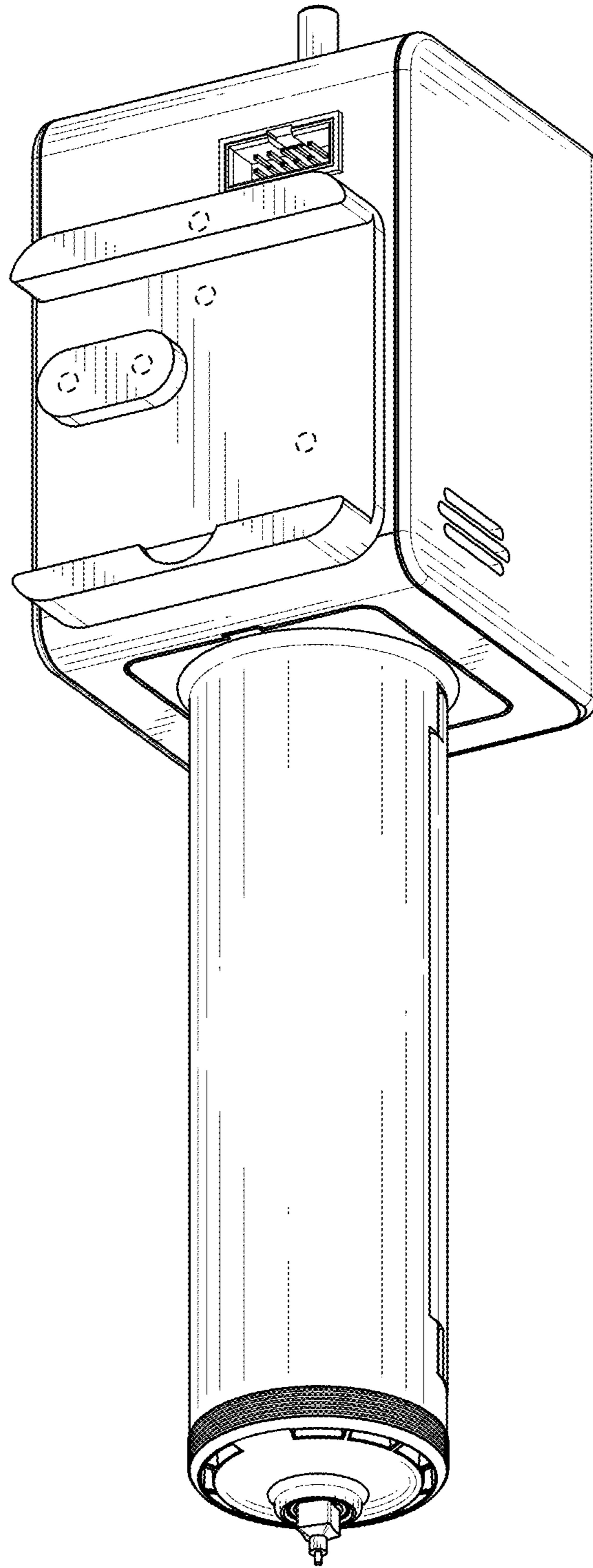


FIG. 2

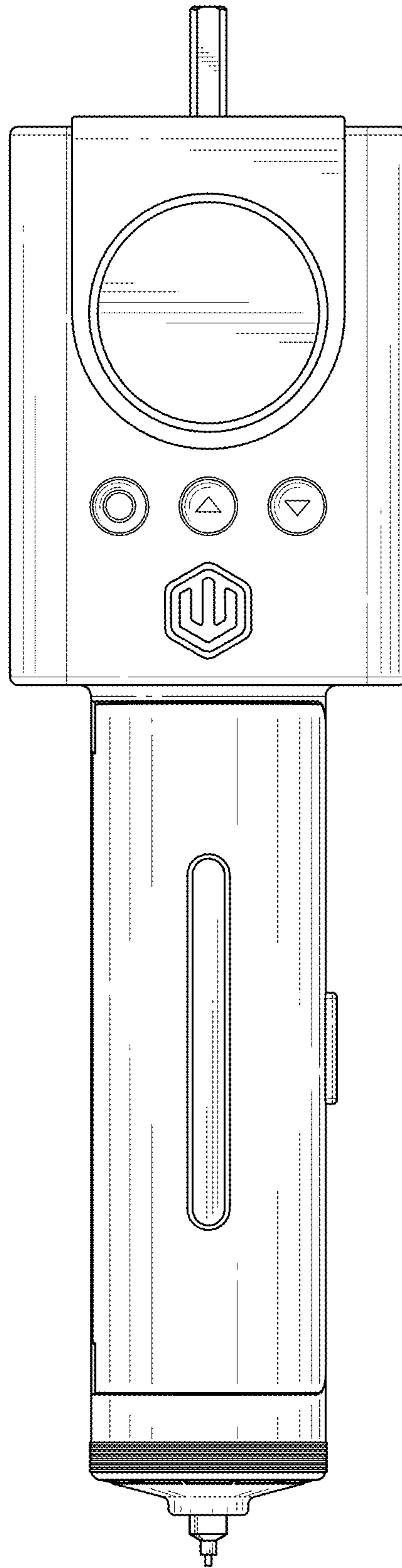


FIG. 3

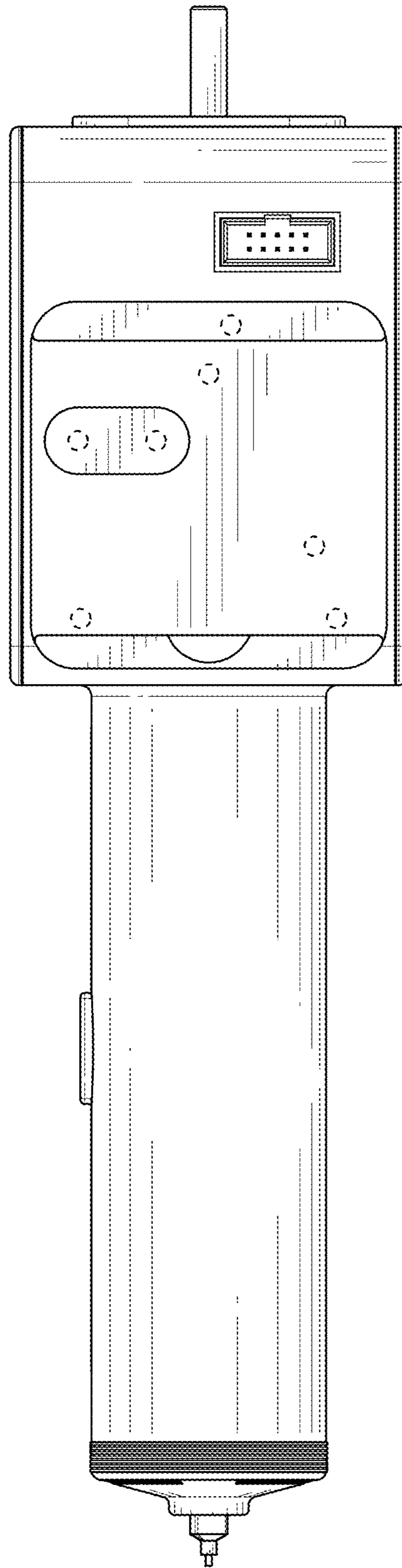


FIG. 4

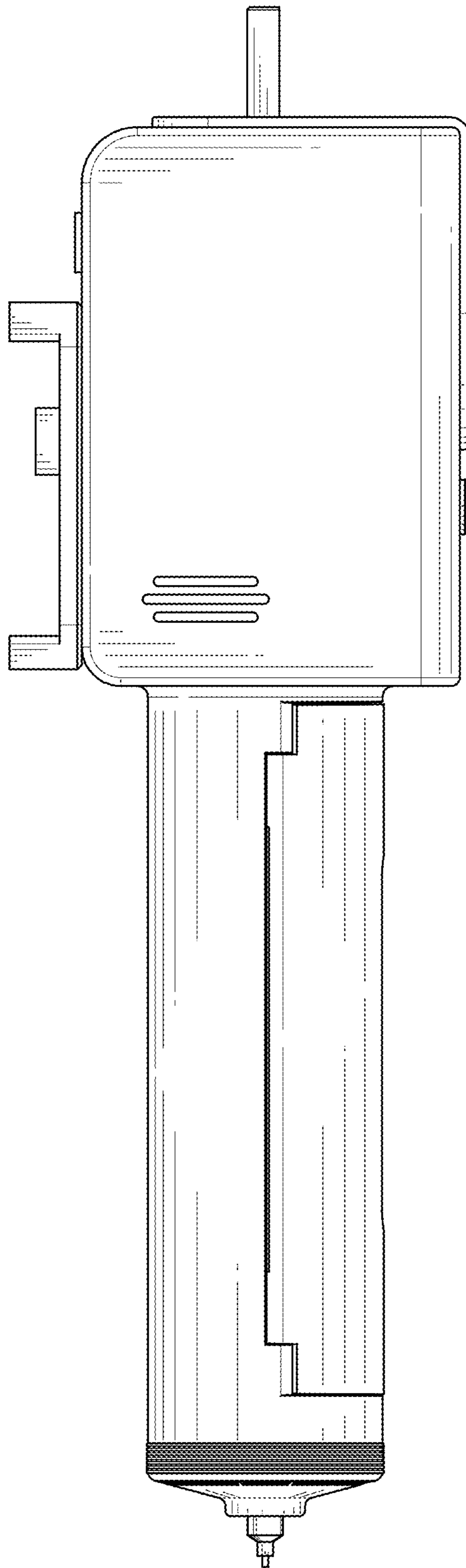


FIG. 5

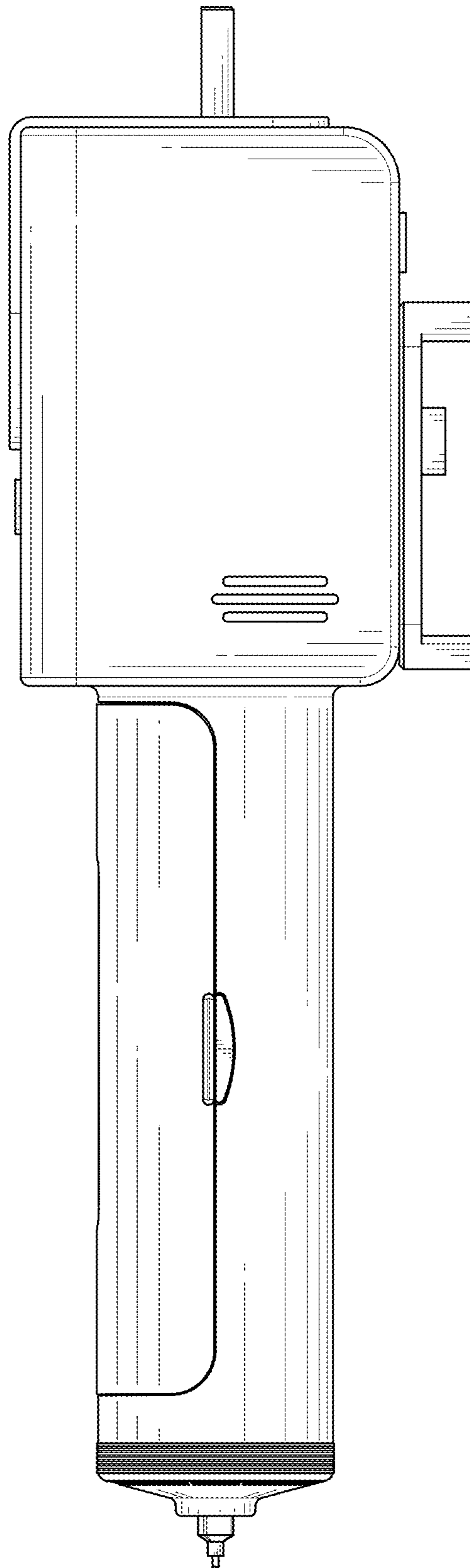


FIG. 6

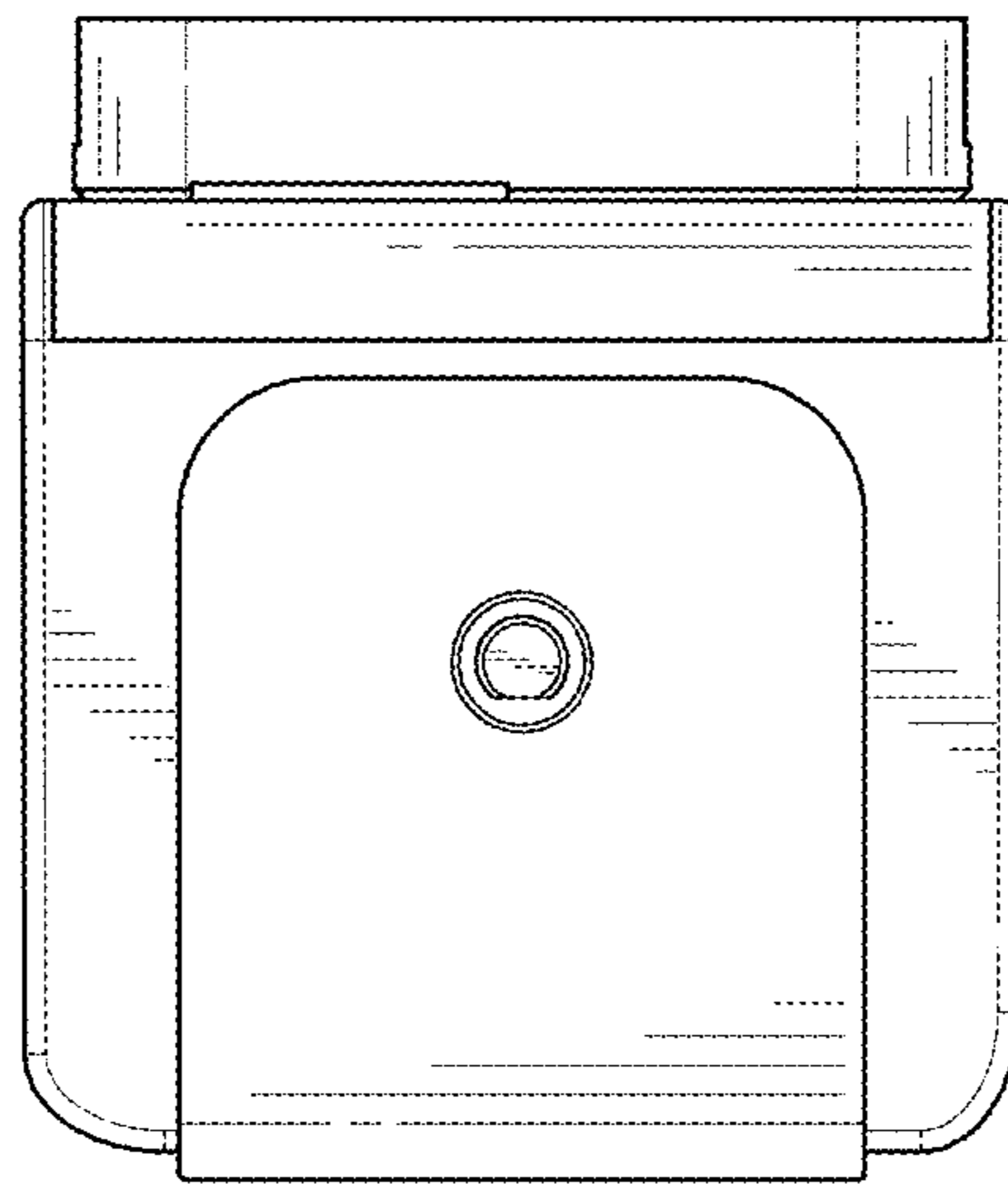


FIG. 7



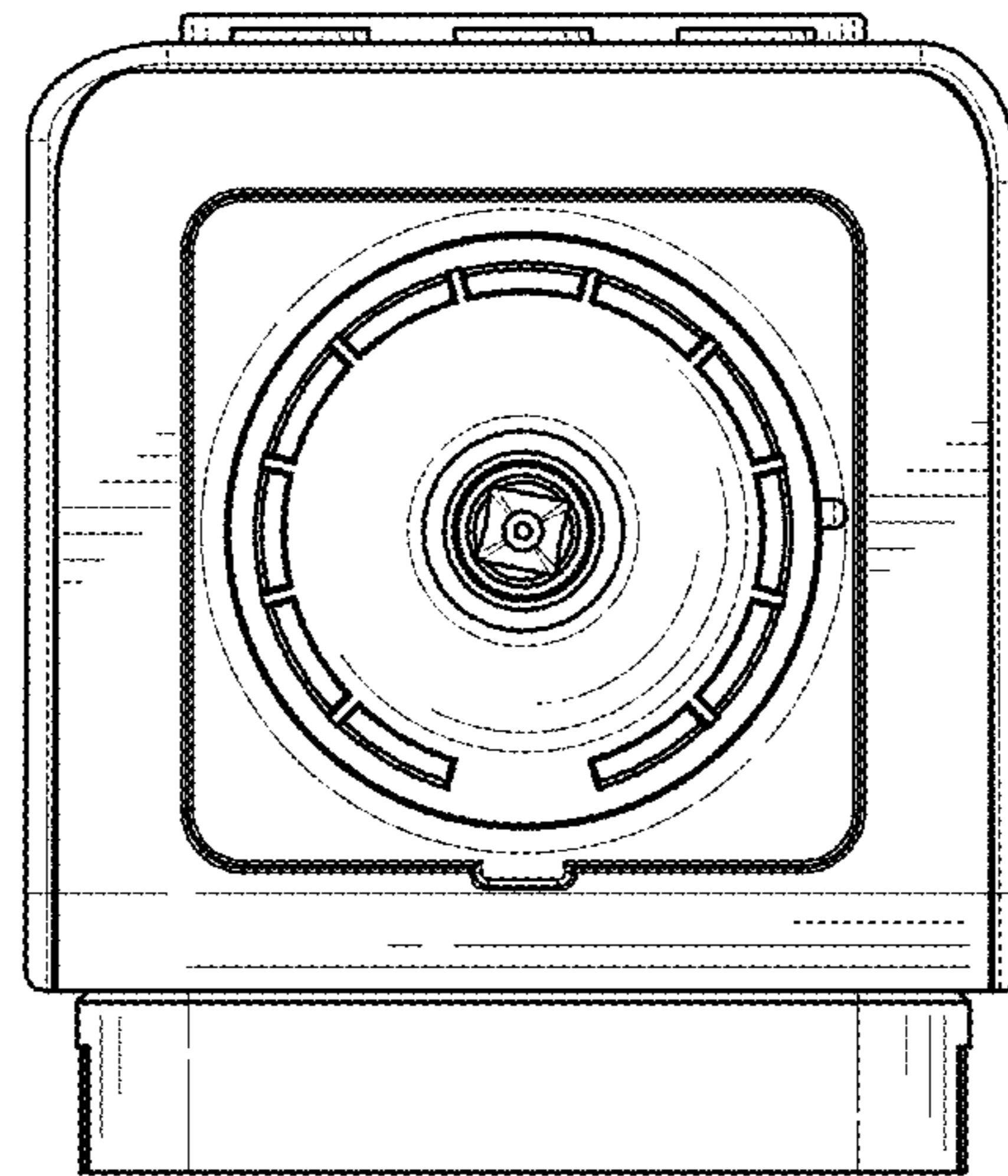


FIG. 8

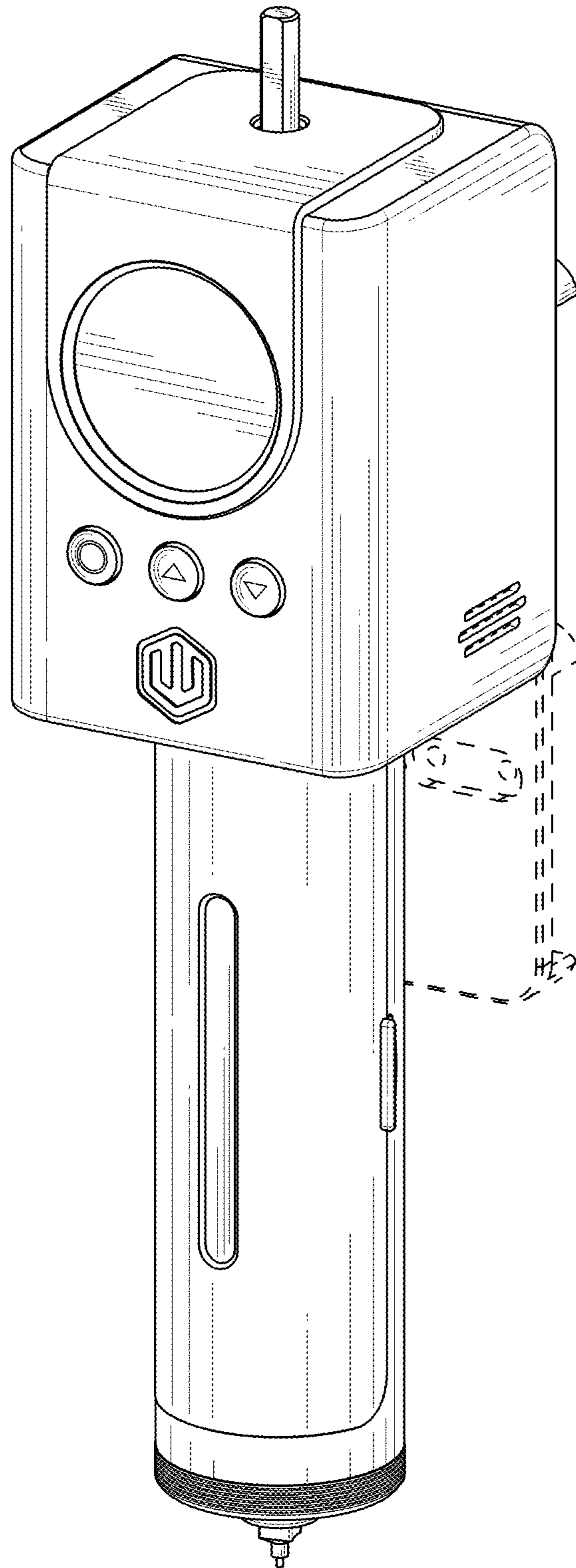


FIG. 9

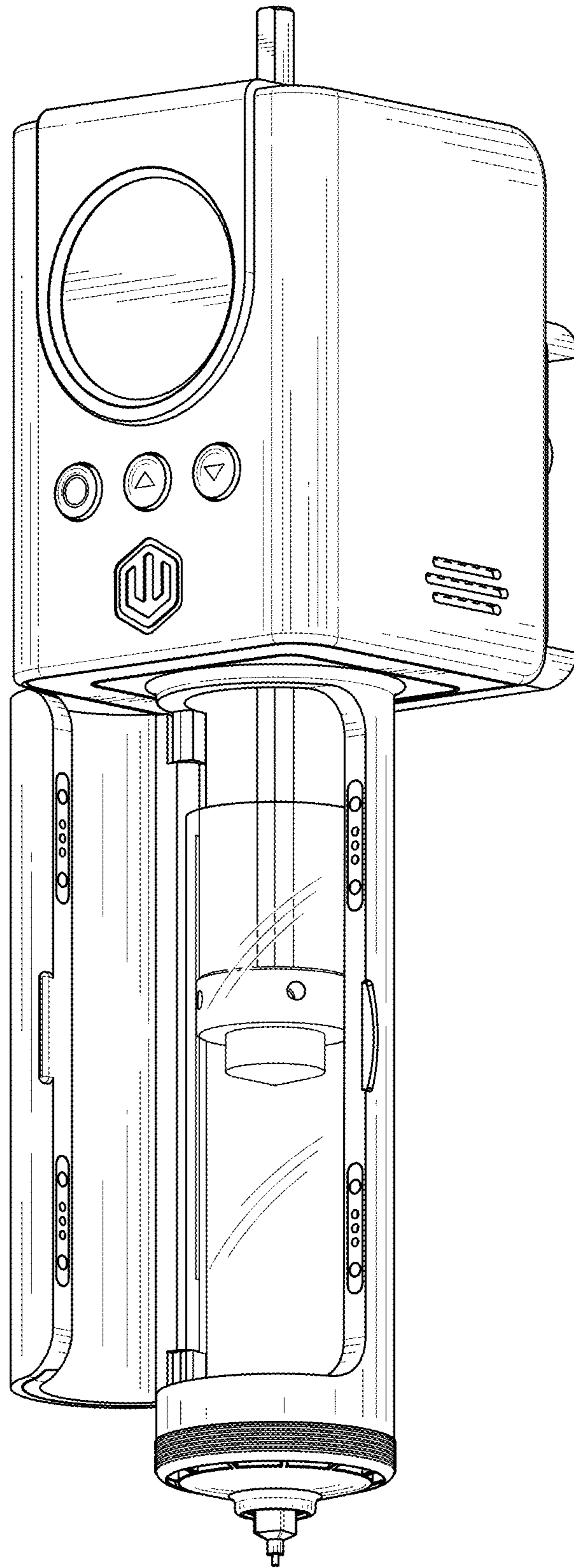


FIG. 10