



US00D985635S

(12) **United States Design Patent**
Wischnewski

(10) **Patent No.:** **US D985,635 S**
(45) **Date of Patent:** **** May 9, 2023**

(54) **MIRROR-SYMMETRIC LASER MODULE**

(71) Applicant: **RAYLASE GmbH**, Wessling (DE)

(72) Inventor: **Reinold Wischnewski**, Utting (DE)

(73) Assignee: **RAYLASE GMBH**, Wessling (DE)

(**) Term: **15 Years**

(21) Appl. No.: **29/754,470**

(22) Filed: **Oct. 12, 2020**

(30) **Foreign Application Priority Data**

Apr. 30, 2020 (EM) 007845110

(51) **LOC (14) Cl.** **15-09**

(52) **U.S. Cl.**
USPC **D15/127; D15/1**

(58) **Field of Classification Search**
USPC D15/1, 4, 5, 122, 127, 199

(Continued)

(56) **References Cited**

U.S. PATENT DOCUMENTS

5,127,072 A * 6/1992 Blauvelt G02B 6/4225
385/88

5,610,692 A * 3/1997 Trask G03G 15/0879
399/262

(Continued)

Primary Examiner — Patricia A Palasik

(74) *Attorney, Agent, or Firm* — Leason Ellis LLP

(57) **CLAIM**

The ornamental design for a mirror-symmetric laser module, as shown and described.

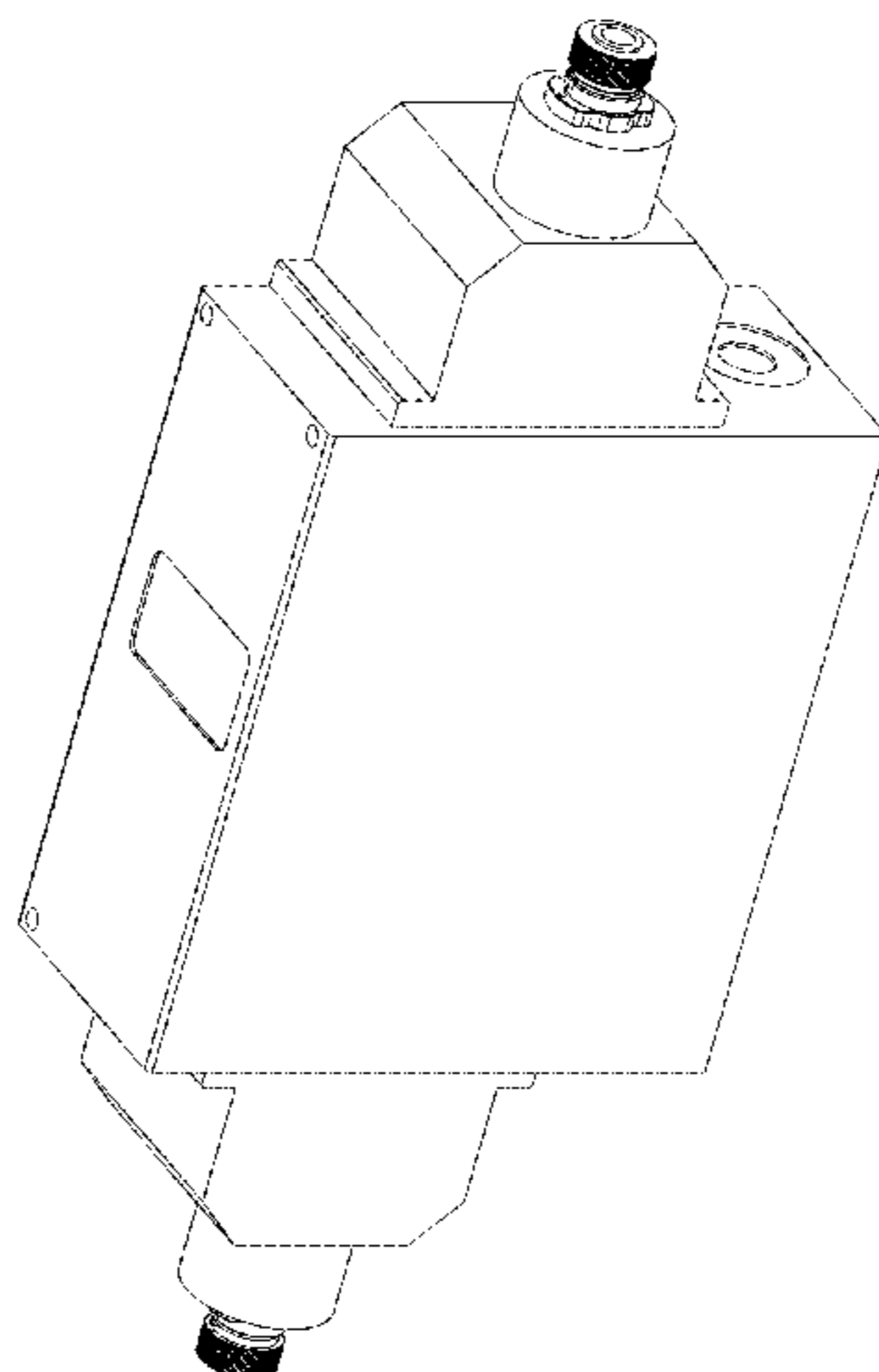
DESCRIPTION

FIG. 1 is a left-top perspective view of my mirror-symmetric laser module according to the first embodiment of my new design;

FIG. 2 is a left-bottom side perspective view thereof;
FIG. 3 is a front elevation view thereof;
FIG. 4 is a rear elevation view thereof;
FIG. 5 is a left side elevation view, the right-side being a mirror image;
FIG. 6 is a top plan view thereof;
FIG. 7 is bottom plan view thereof;
FIG. 8 is a left-top perspective view of my mirror-symmetric laser module according to the second embodiment of my new design;
FIG. 9 is a left-bottom side perspective view thereof;
FIG. 10 is a front elevation view thereof;
FIG. 11 is a rear elevation view thereof;
FIG. 12 is a left side elevation view, the right-side being a mirror image;
FIG. 13 is a top plan view thereof;
FIG. 14 is bottom plan view thereof;
FIG. 15 is a left-top perspective view of my mirror-symmetric laser module according to the third embodiment of my new design;
FIG. 16 is a left-bottom side perspective view thereof;
FIG. 17 is a front elevation view thereof;
FIG. 18 is a rear elevation view thereof;
FIG. 19 is a left side elevation view, the right-side being a mirror image;
FIG. 20 is a top plan view thereof;
FIG. 21 is bottom plan view thereof;
FIG. 22 is a left-top perspective view of my mirror-symmetric laser module according to the fourth embodiment of my new design;
FIG. 23 is a left-bottom side perspective view thereof;
FIG. 24 is a front elevation view thereof;
FIG. 25 is a rear elevation view thereof;
FIG. 26 is a left side elevation view, the right-side being a mirror image;
FIG. 27 is a top plan view thereof; and,
FIG. 28 is bottom plan view thereof.

The broken lines shown in the embodiments set forth in FIGS. 15-28 illustrate portions of the mirror-symmetric laser module that form no part of the claimed design. More particular, the third embodiment shows a pair of the mirror-symmetric laser modules of the first embodiment in a side-by-side orientation and similarly, the fourth embodi-

(Continued)



ment shows a pair of the mirror-symmetric laser modules of the second embodiment in a side-by-side orientation.

1 Claim, 28 Drawing Sheets

(58) Field of Classification Search

CPC H01S 3/036; H01S 3/073; H01S 5/02218;
H01S 5/02315; H01S 5/0233

See application file for complete search history.

(56) References Cited

U.S. PATENT DOCUMENTS

D647,929	S	*	11/2011	Mesropyan	D15/199
D749,689	S	*	2/2016	Cheng	D22/109
D908,148	S	*	1/2021	Chann	D15/127
D908,751	S	*	1/2021	Chann	D15/127
D917,587	S	*	4/2021	Sauter	D15/138
D918,972	S	*	5/2021	Chann	D15/127
D941,894	S	*	1/2022	Mordarski	D15/127
D941,895	S	*	1/2022	Mordarski	D15/127
D951,312	S	*	5/2022	Mordarski	D15/127

D959,513	S	*	8/2022	Mordarski	D15/127
2005/0123010	A1	*	6/2005	Wu	H01S 5/02253 372/29.022
2009/0284913	A1	*	11/2009	Wakabayashi	H04L 65/70 361/679.54
2009/0285256	A1	*	11/2009	Adamkiewicz	H01S 3/025 156/60
2010/0027569	A1	*	2/2010	Brekke	G02B 6/262 372/50.23
2010/0270273	A1	*	10/2010	Sekiya	B23K 26/0853 219/121.6
2012/0177073	A1	*	7/2012	Stephens, IV	H01S 5/02423 372/35
2012/0206046	A1	*	8/2012	Huang	G02B 27/20 315/118
2014/0200636	A1	*	7/2014	Reichert	H01S 5/02476 438/22
2016/0094009	A1	*	3/2016	Izumiya	H01S 3/1611 372/6
2017/0141529	A1	*	5/2017	Kim	H01S 3/025
2017/0288365	A1	*	10/2017	Motofuji	H01S 5/4031
2019/0326725	A1	*	10/2019	Nagatomo	H01S 5/022
2022/0128189	A1	*	4/2022	Zeng	F16M 11/046

* cited by examiner

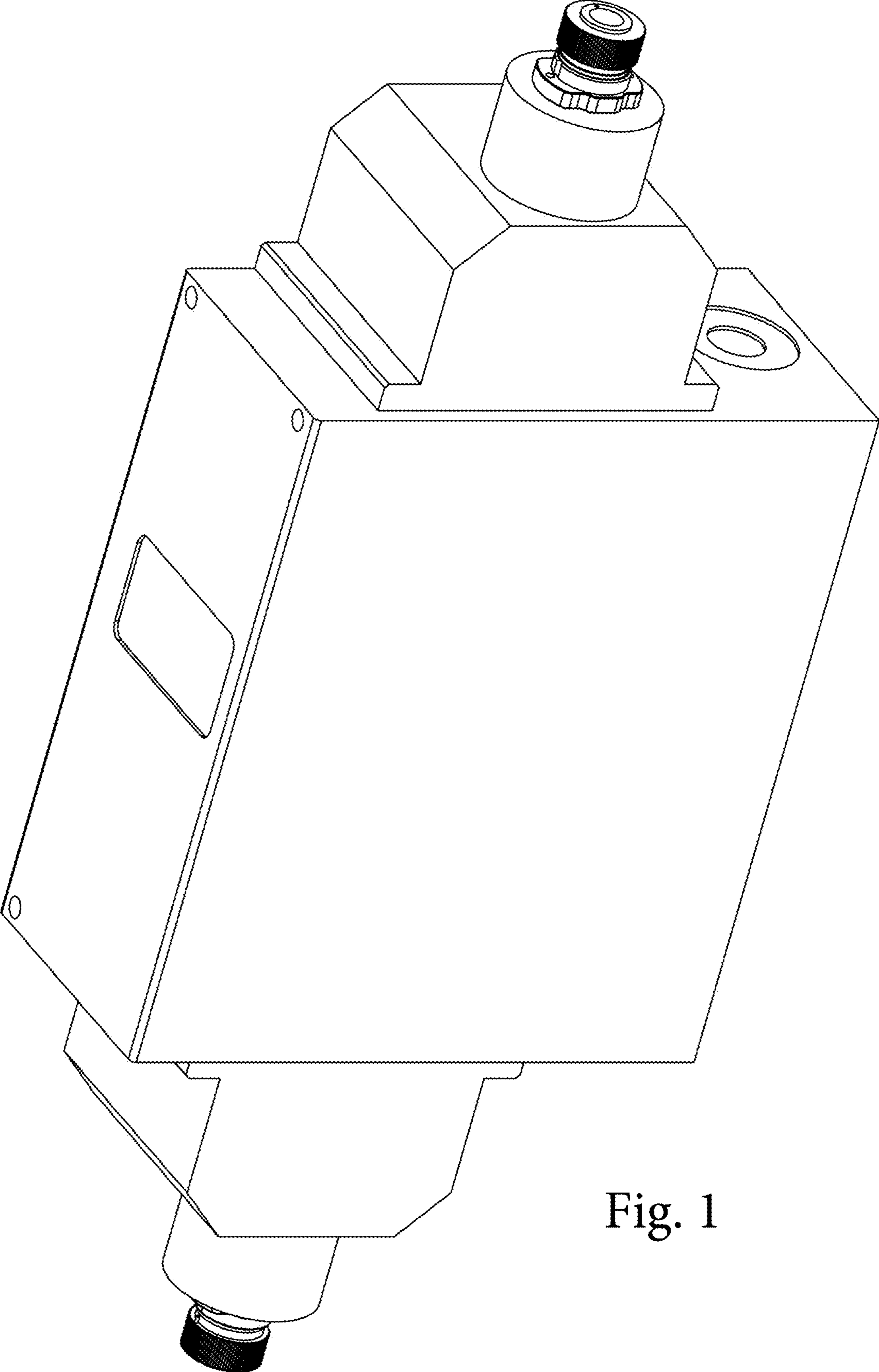


Fig. 1

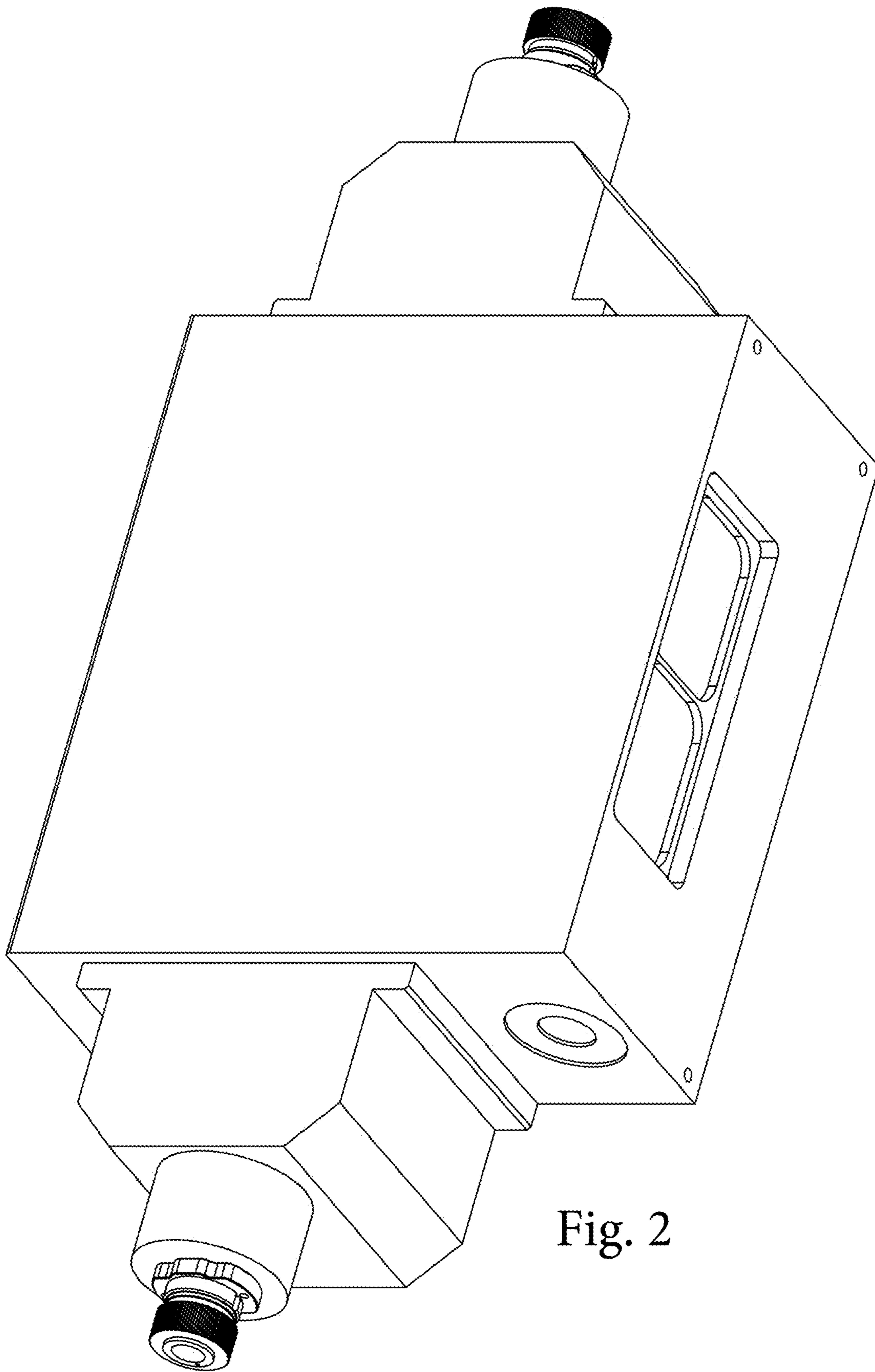


Fig. 2

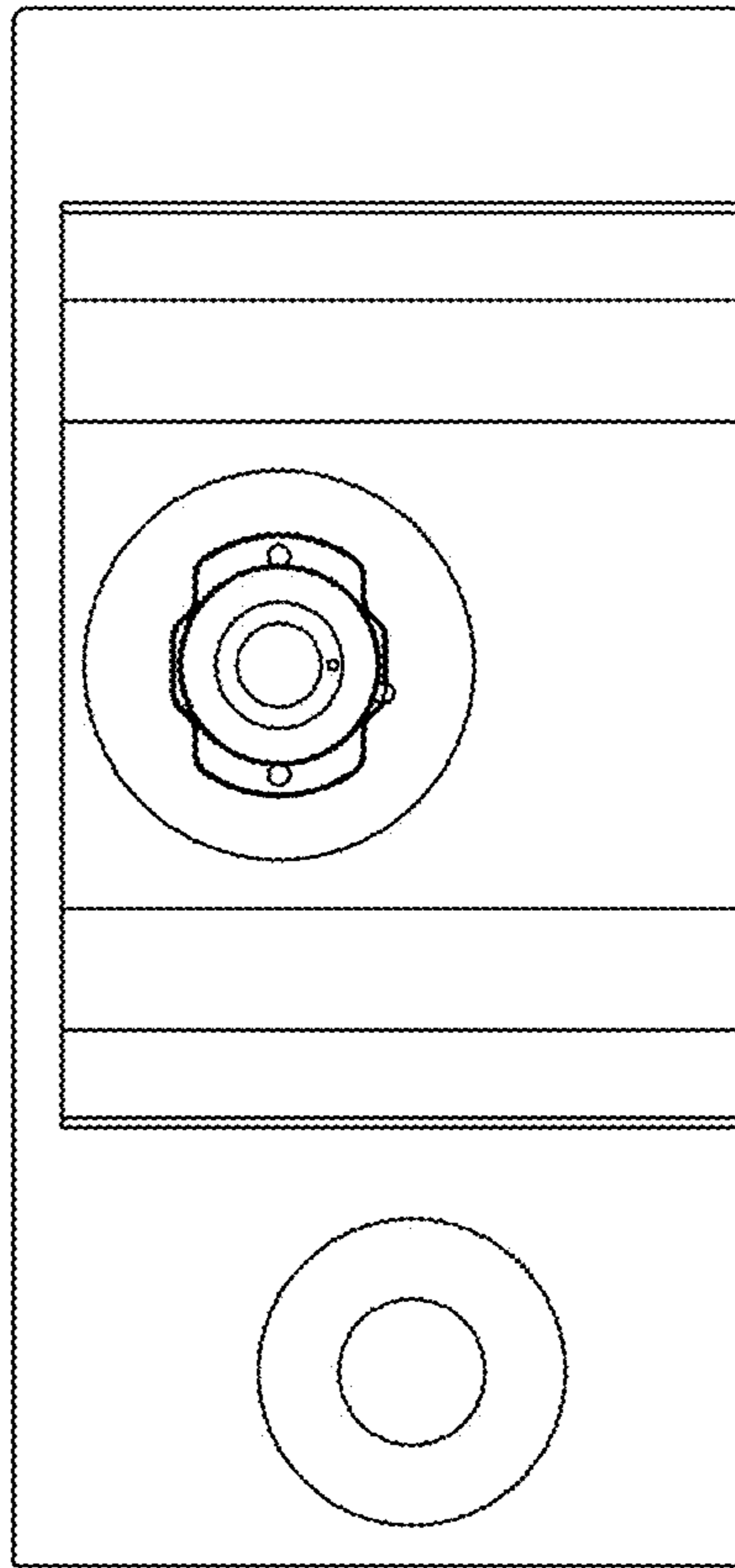


Fig. 3

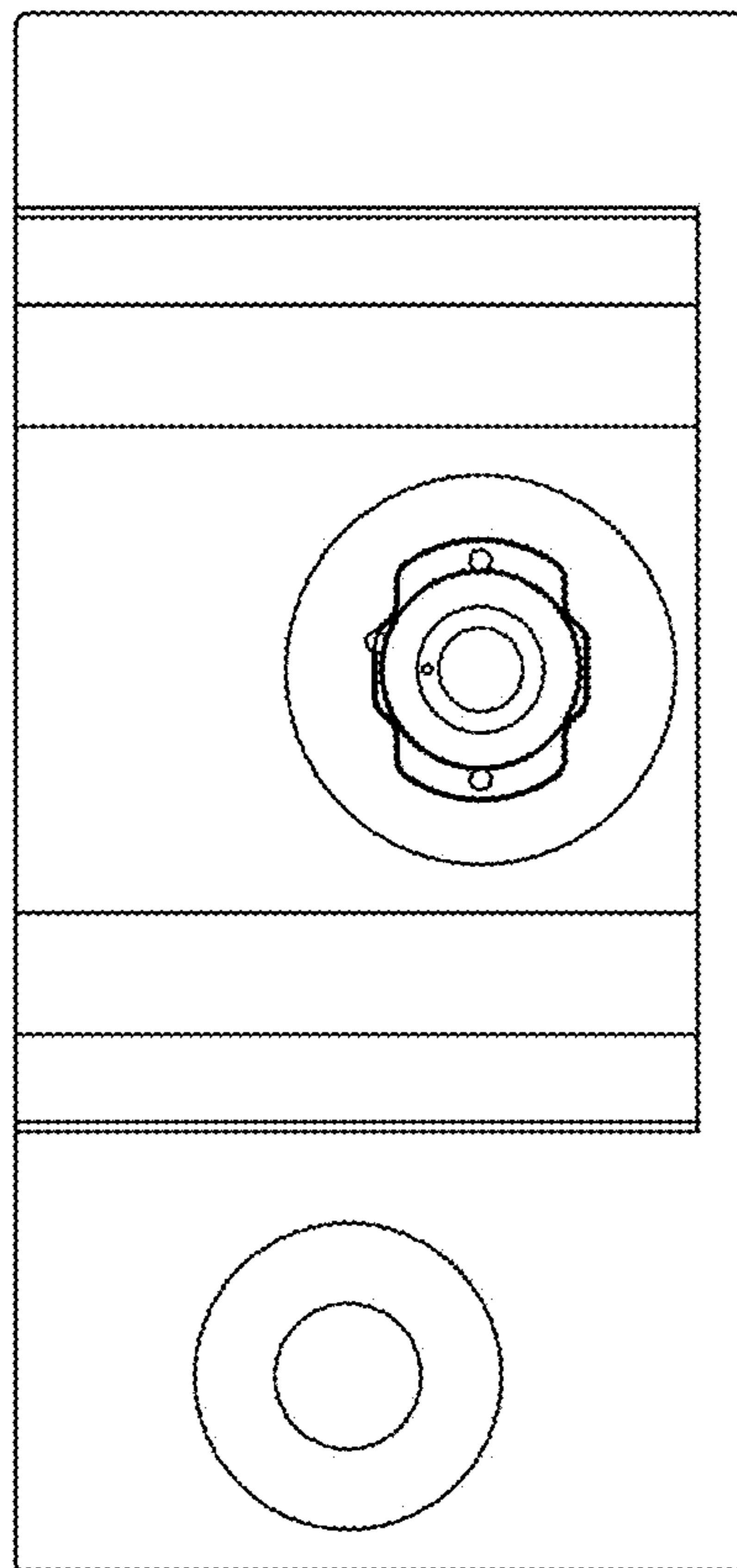


Fig. 4

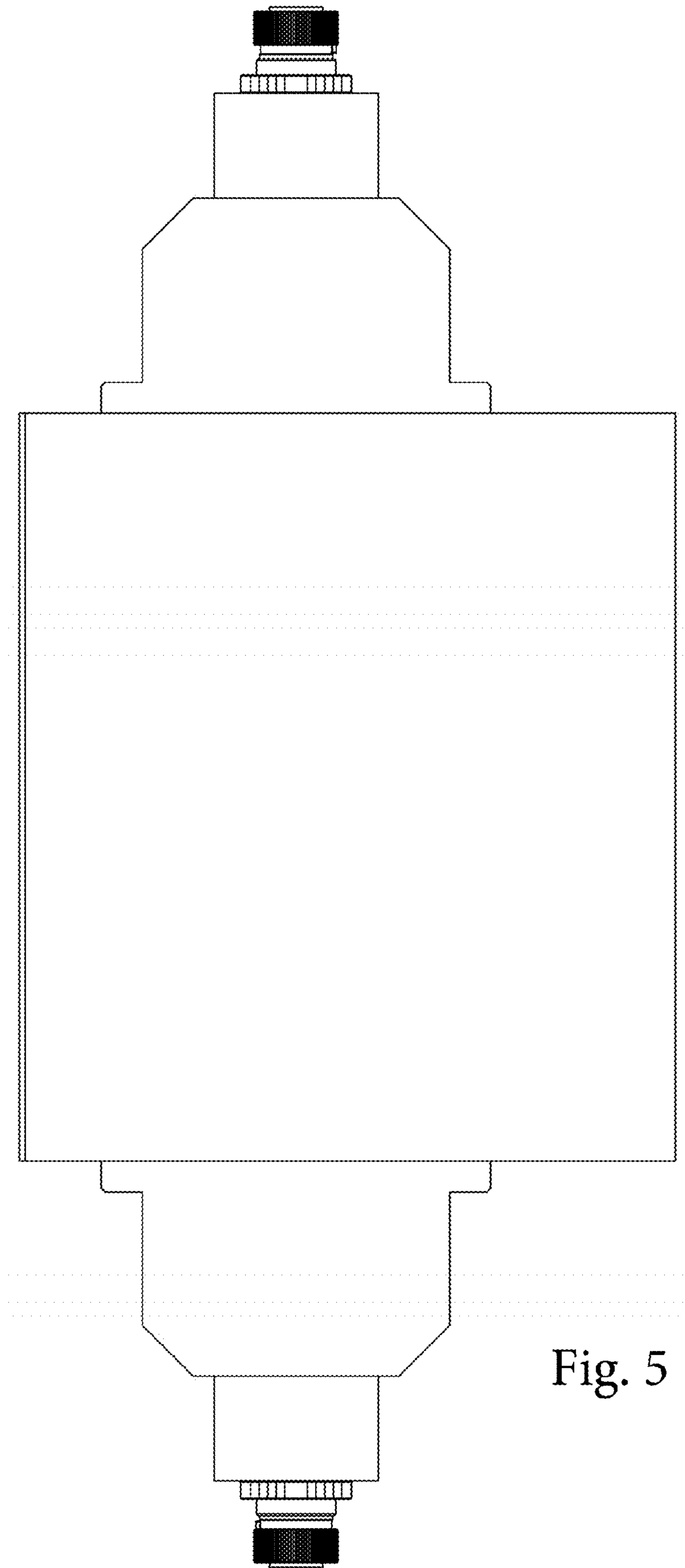


Fig. 5

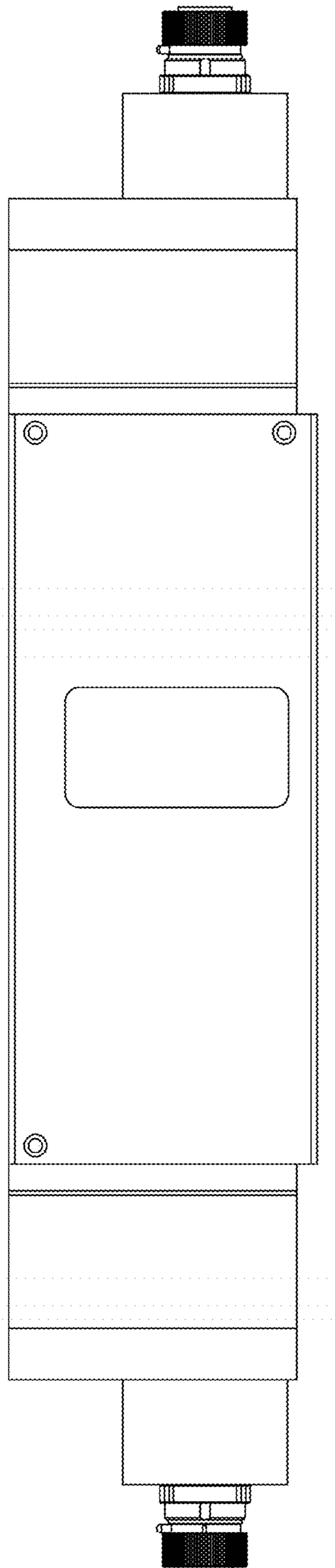


Fig. 6

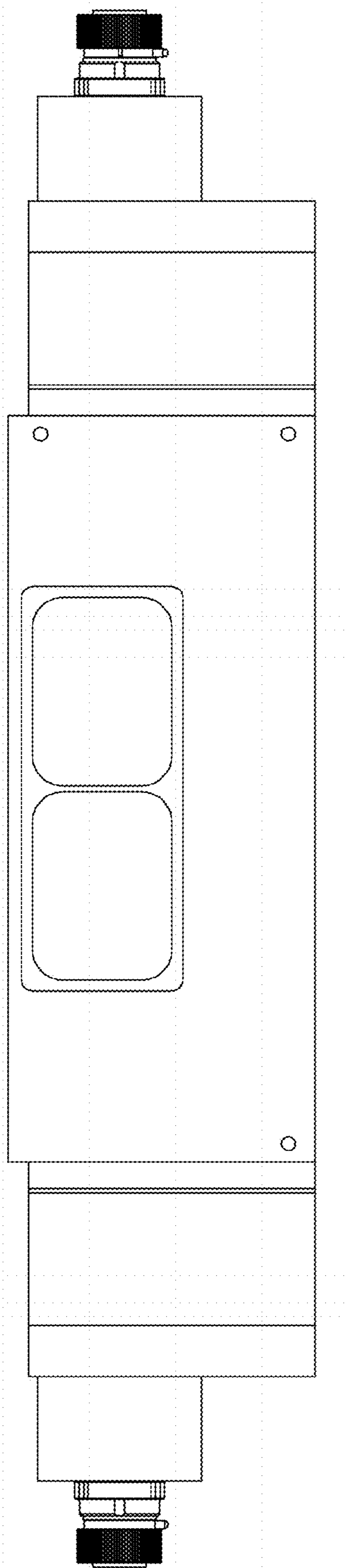


Fig. 7

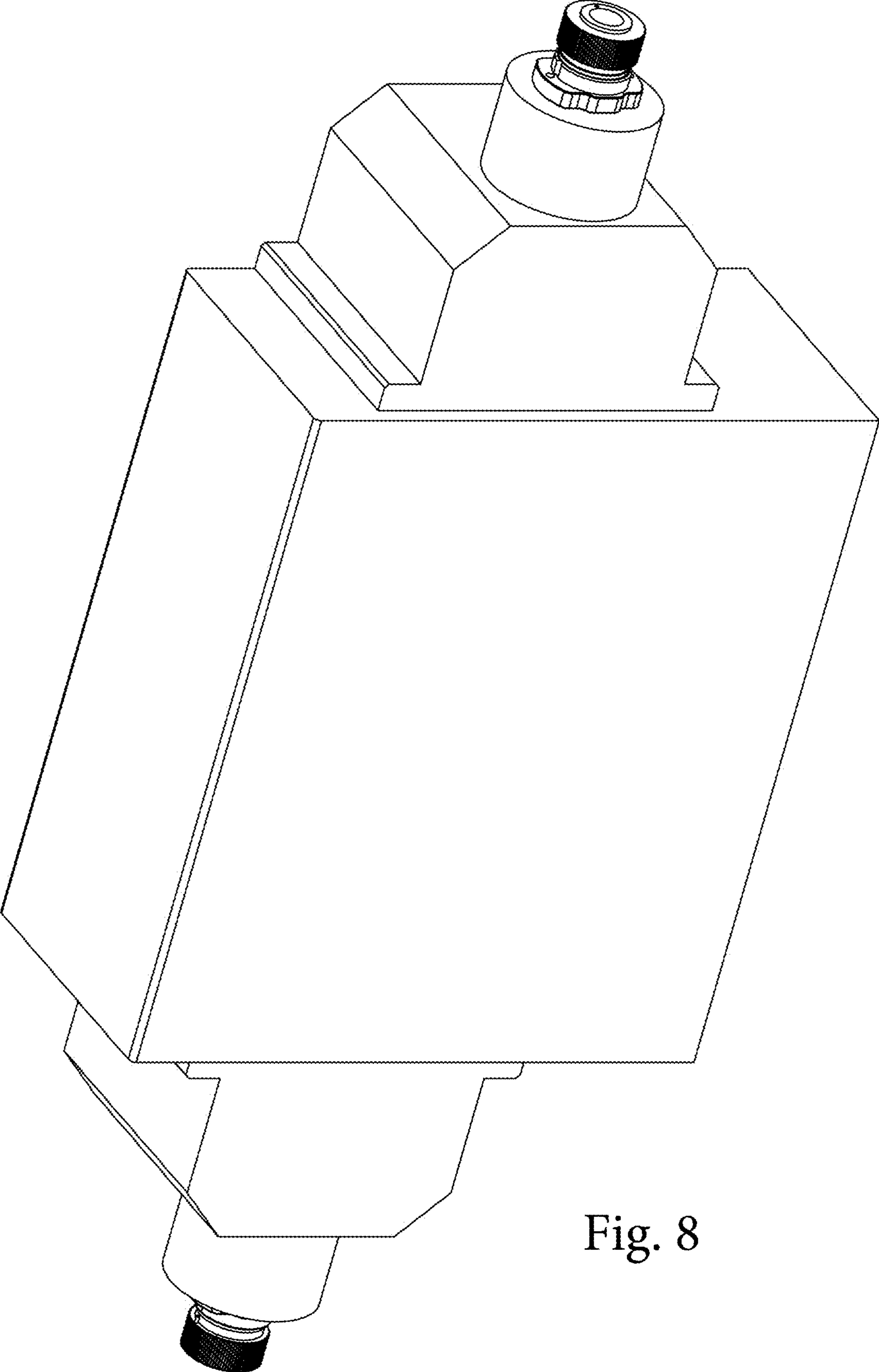


Fig. 8

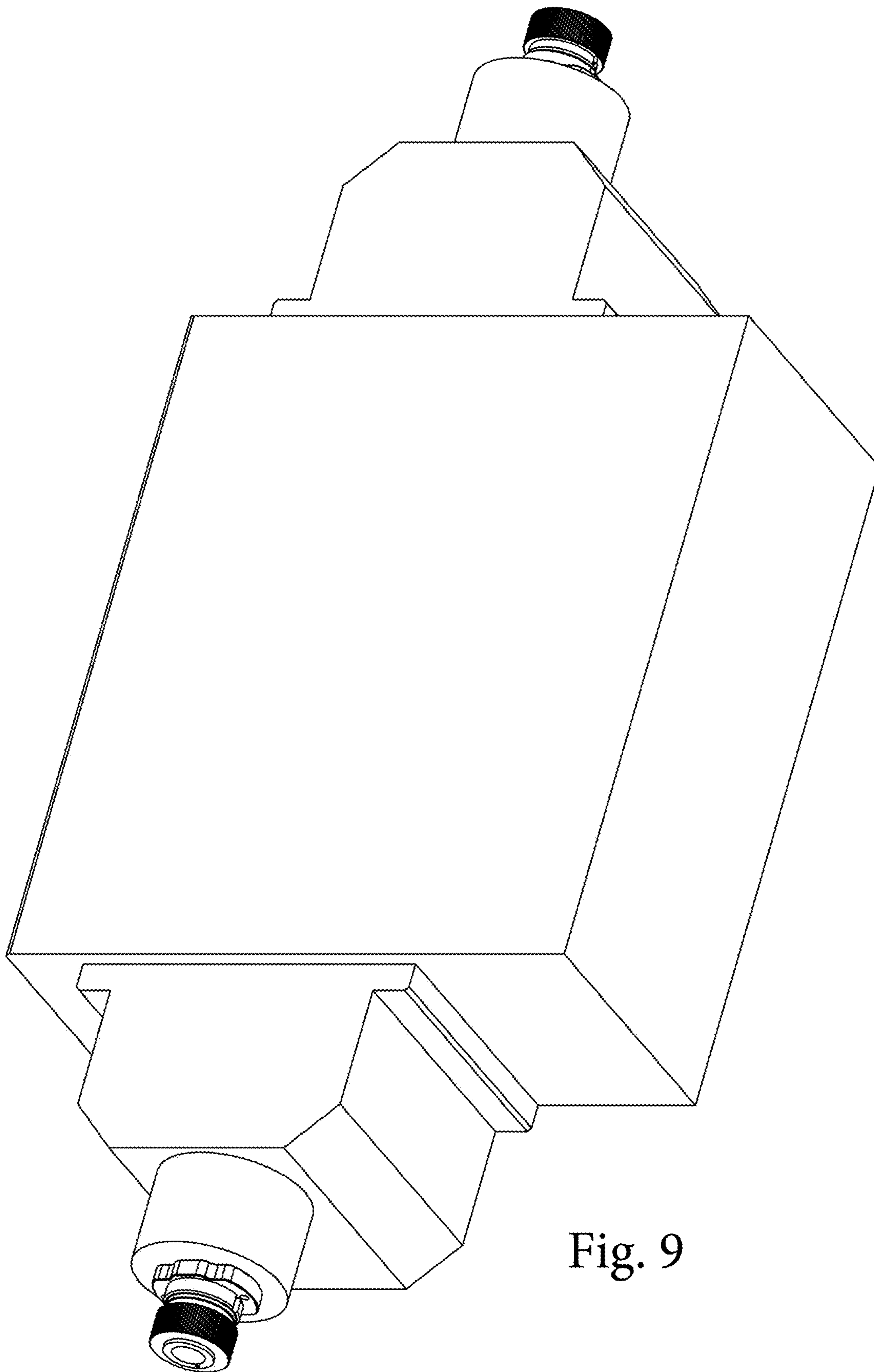


Fig. 9

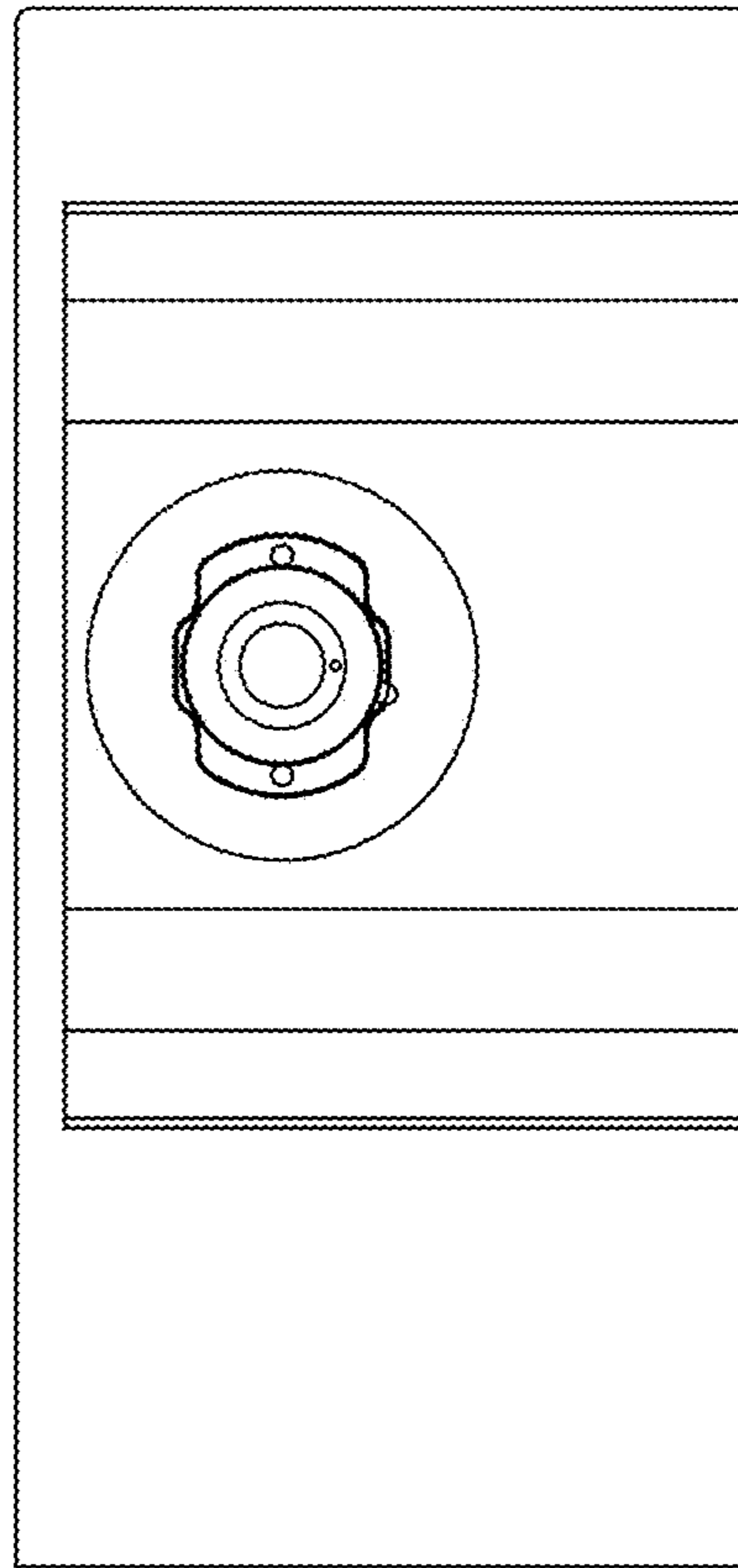


Fig. 10

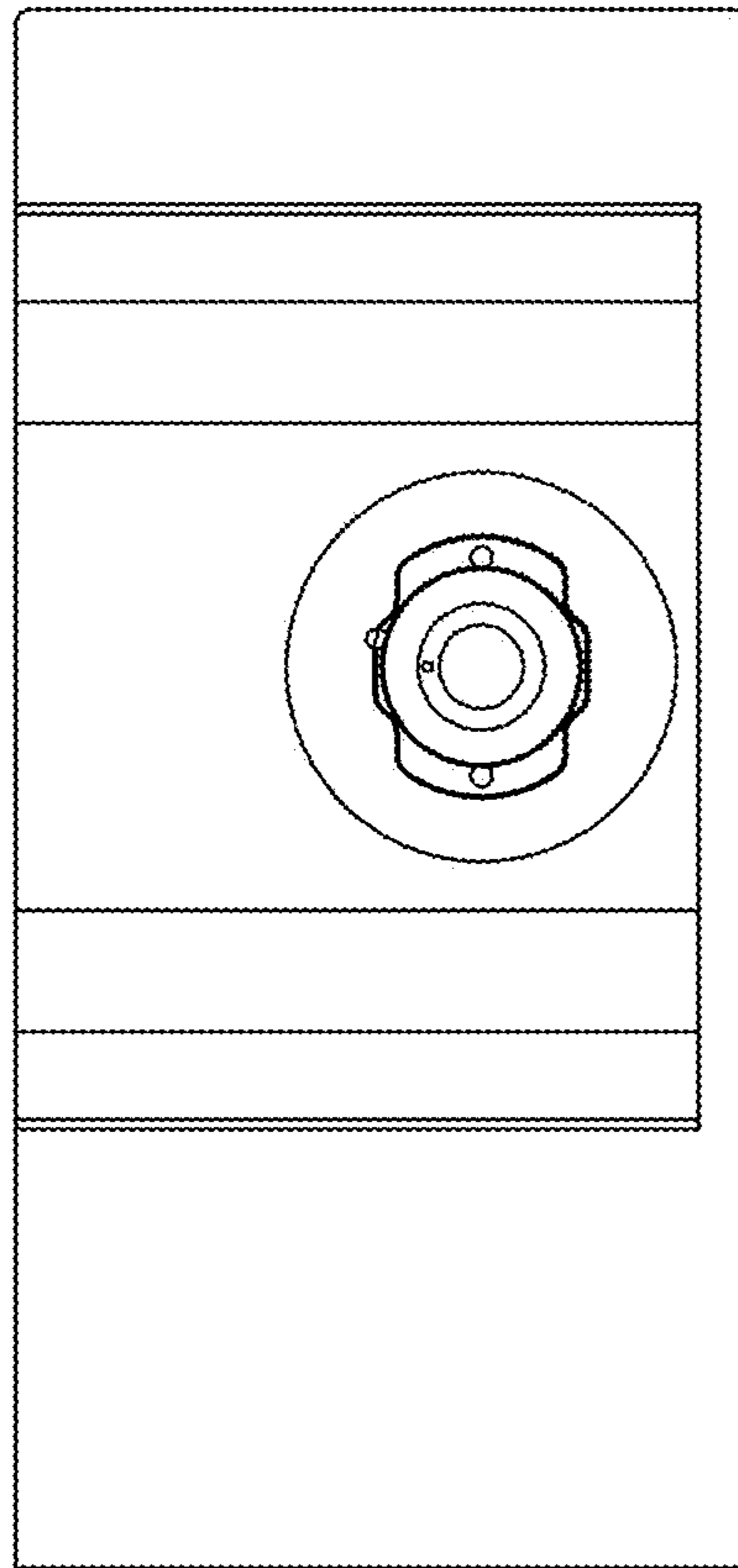


Fig. 11

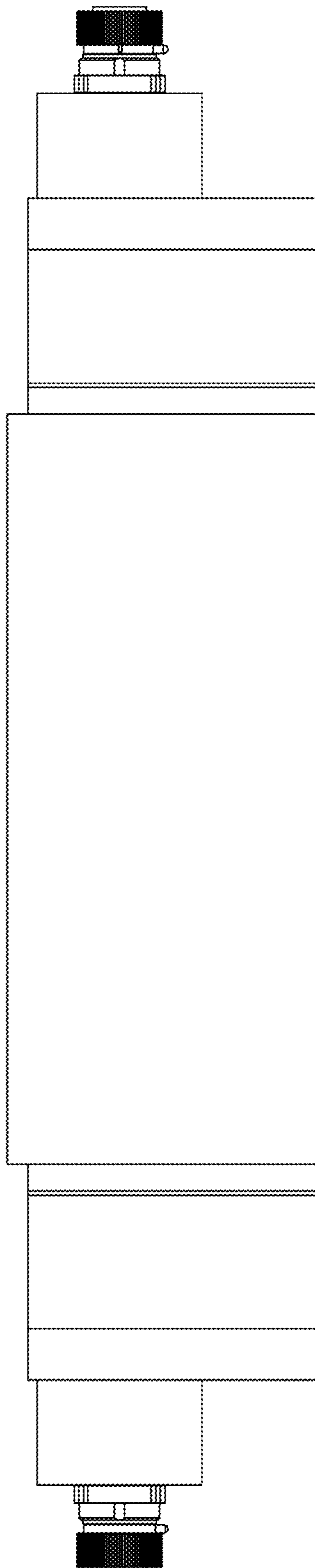


Fig. 12

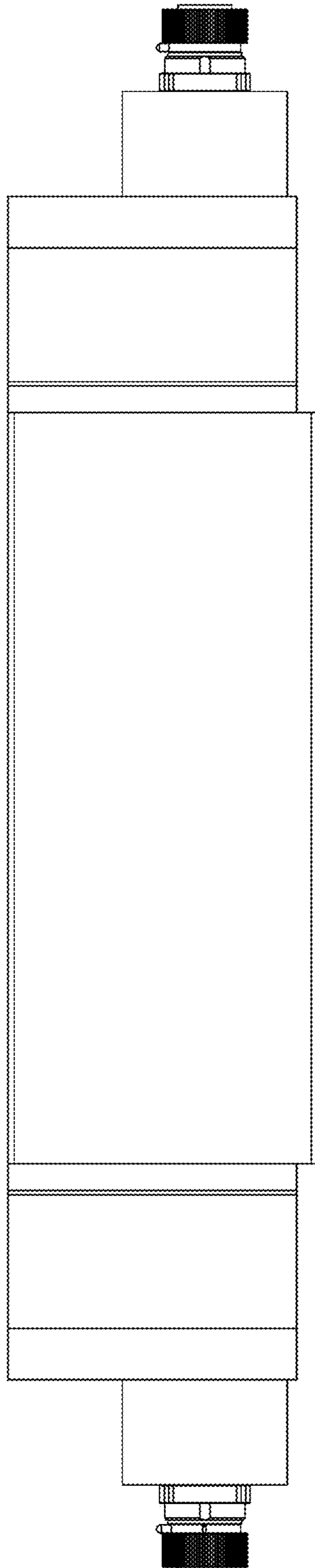


Fig. 13

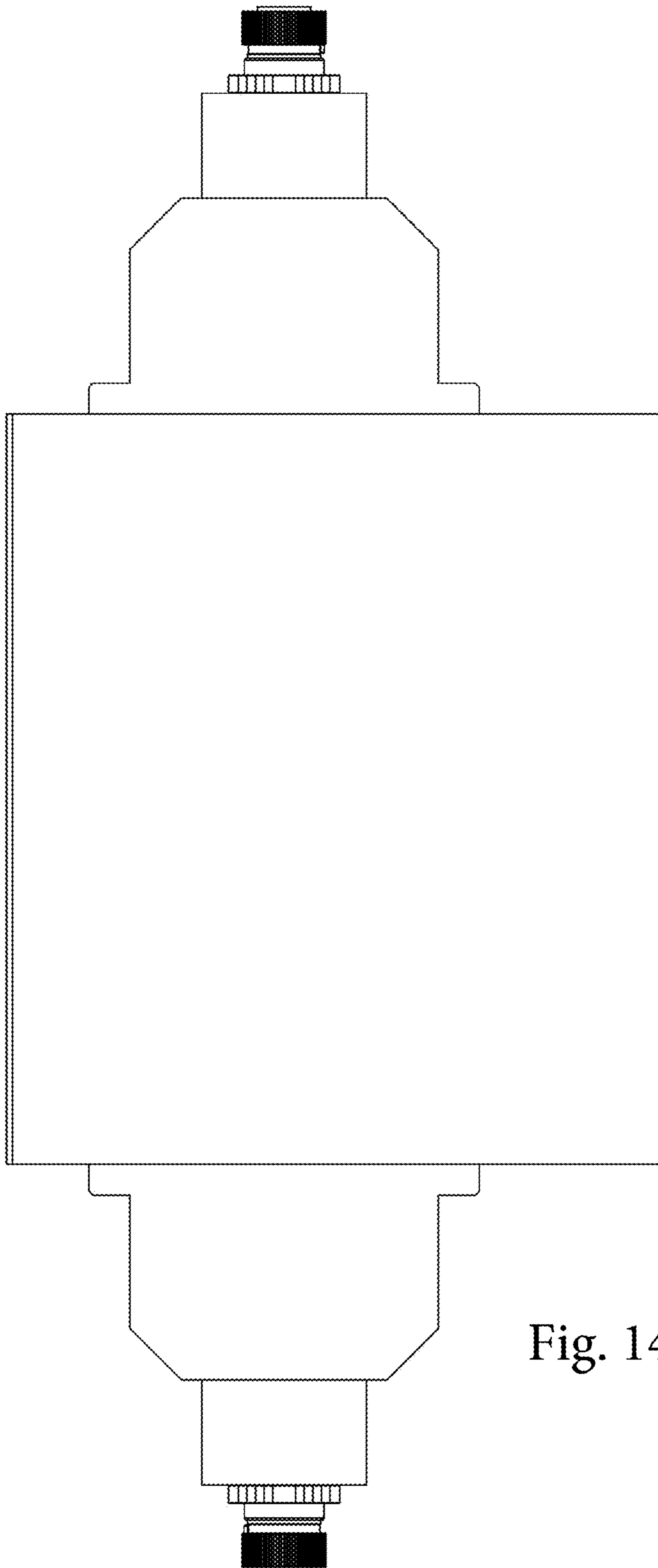


Fig. 14

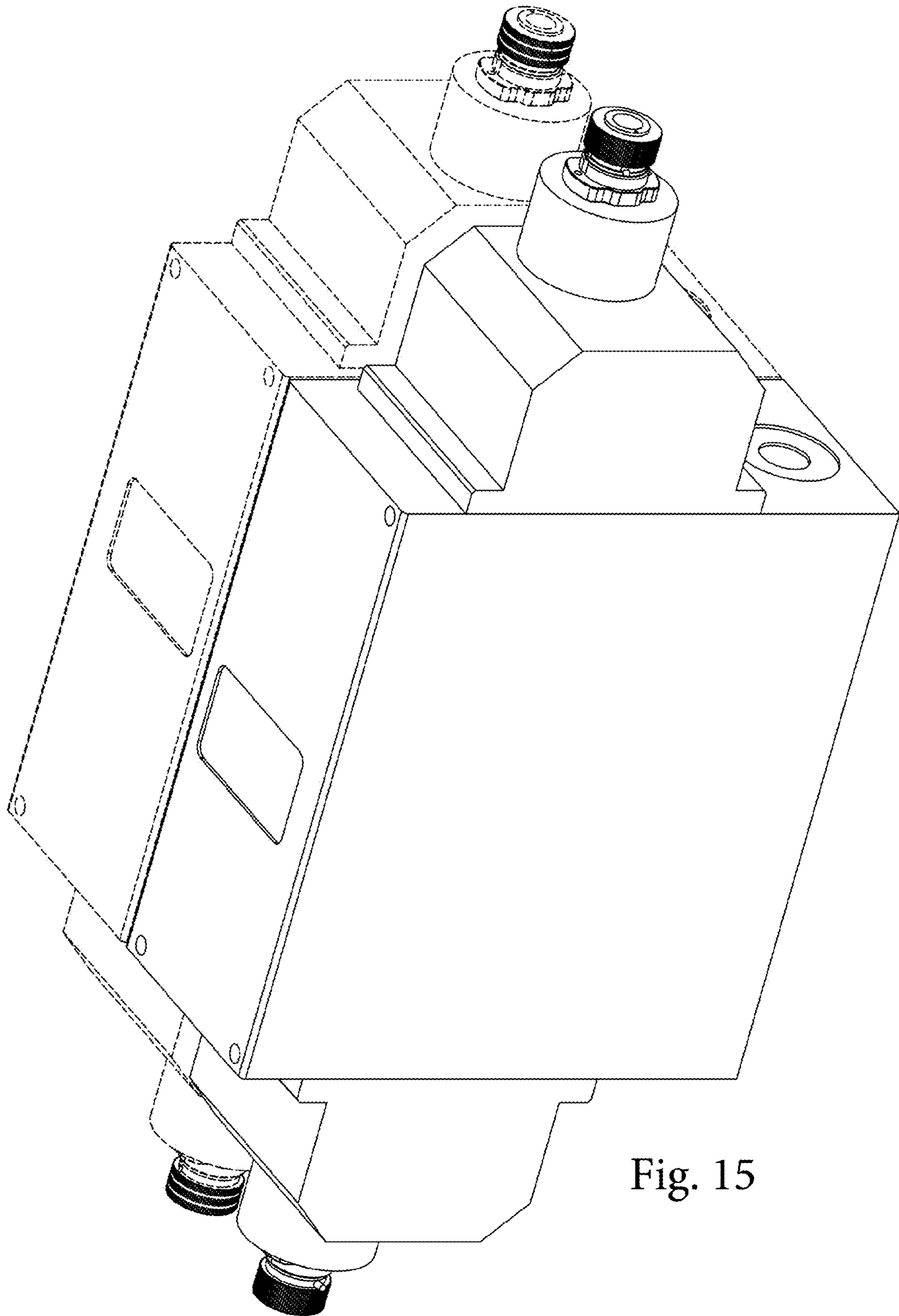


Fig. 15

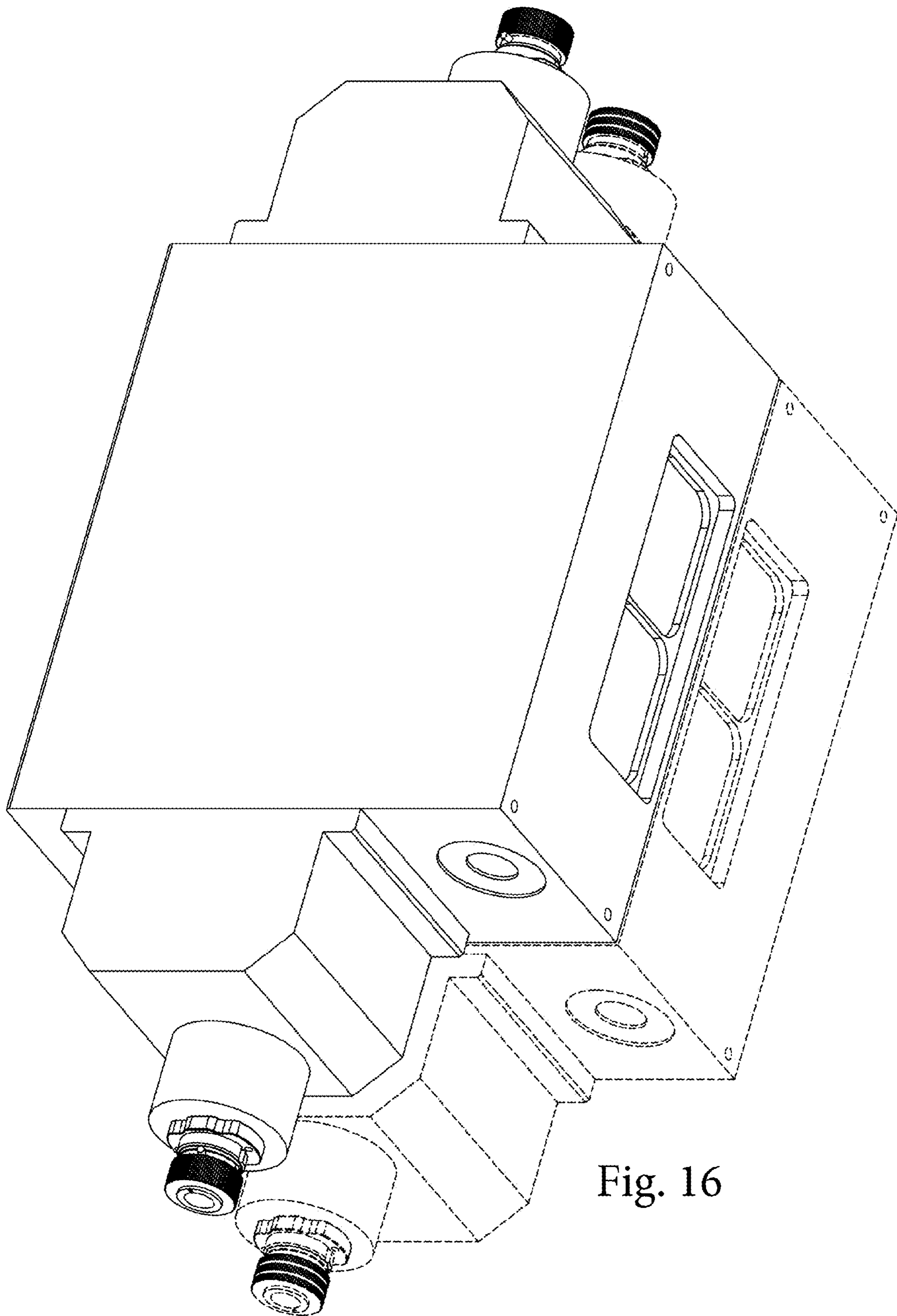


Fig. 16

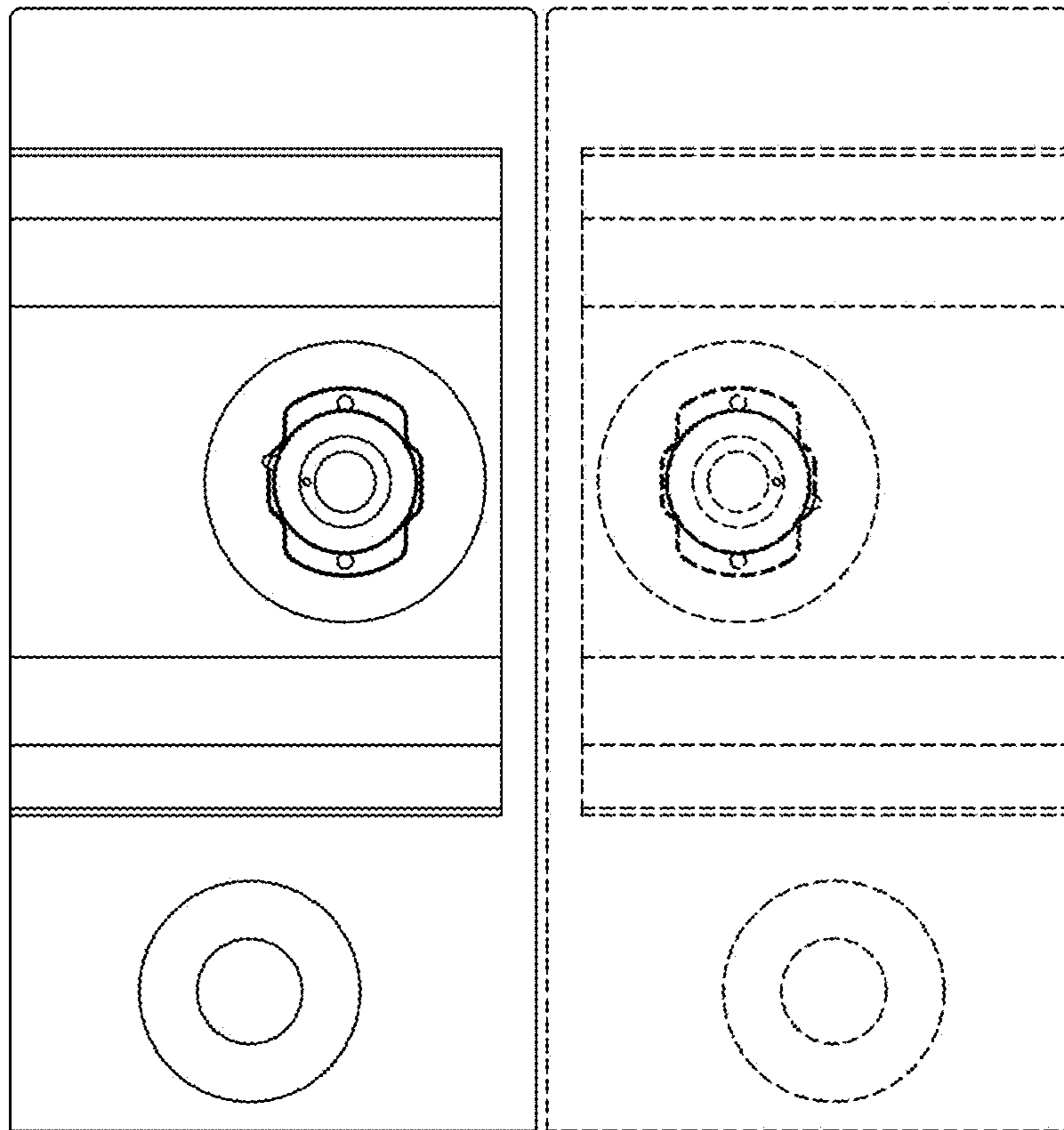


Fig. 17

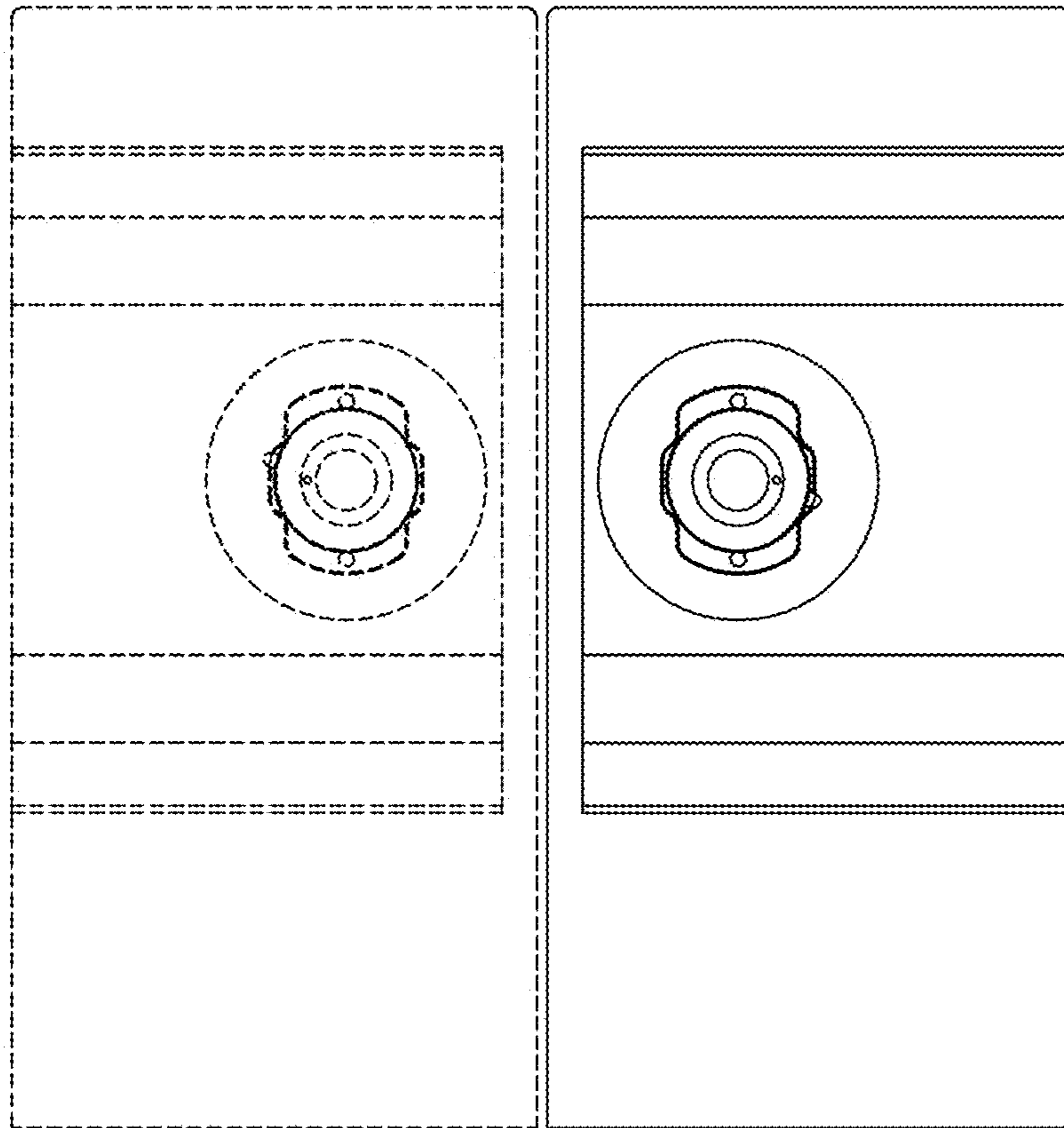


Fig. 18

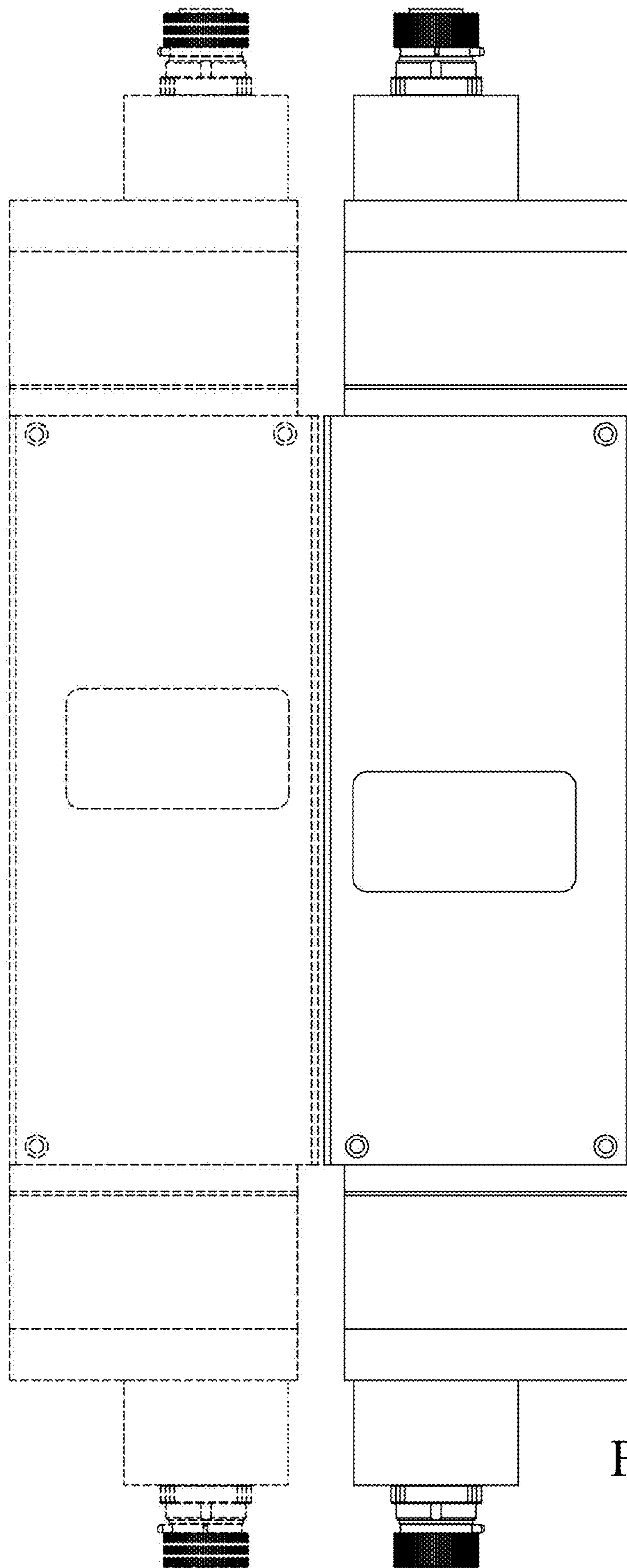


Fig. 19

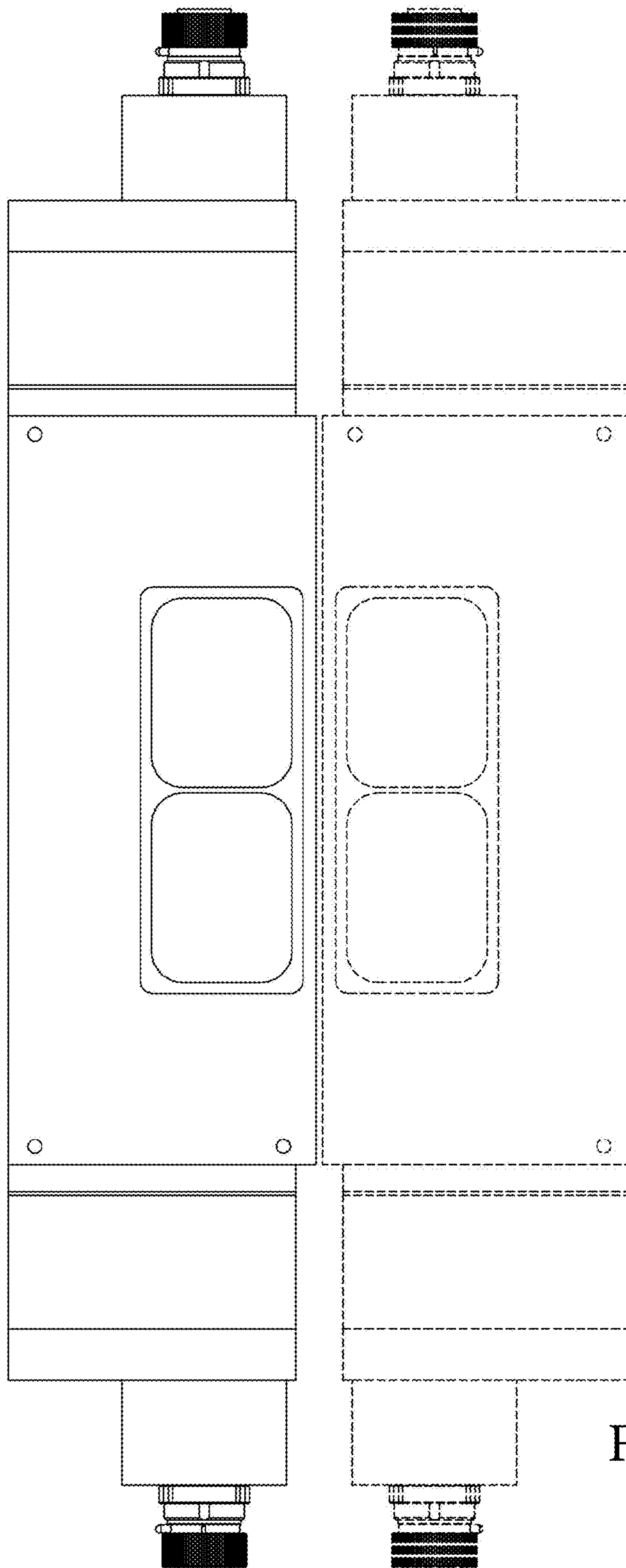


Fig. 20

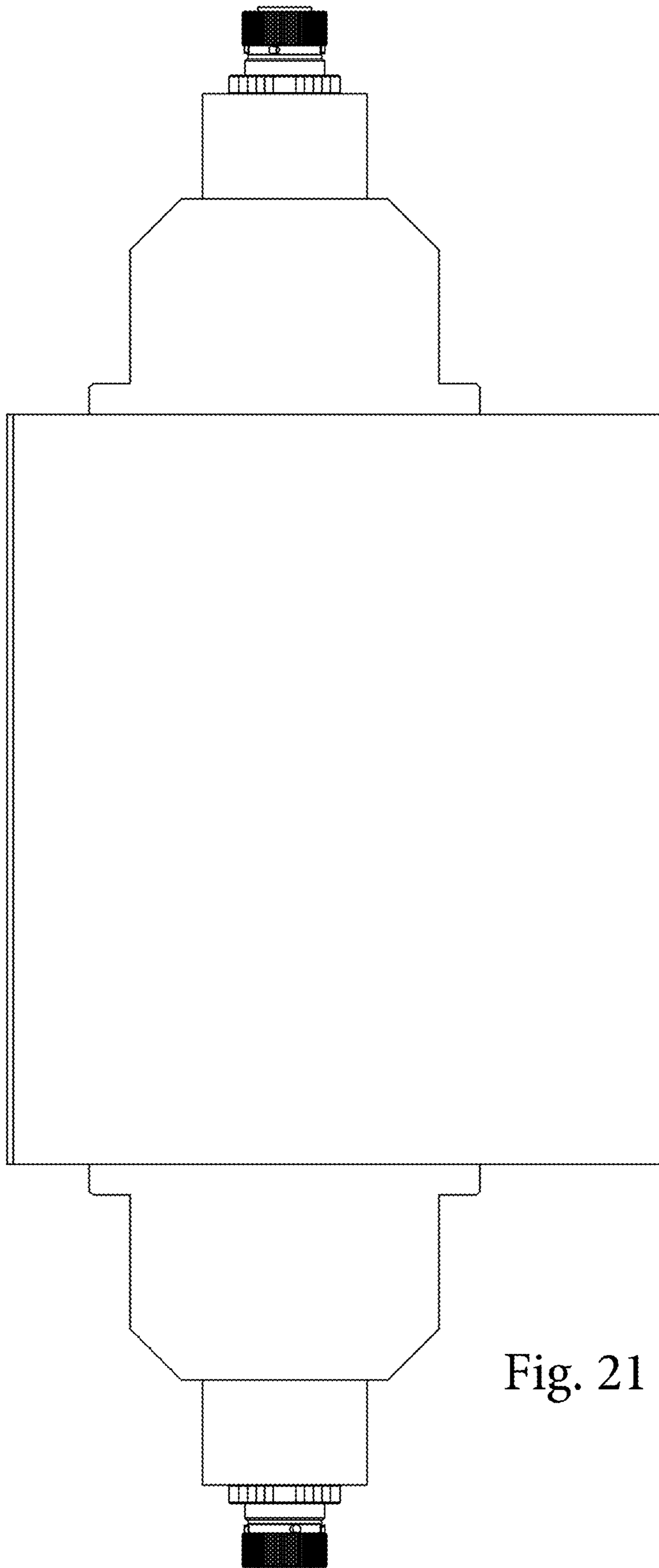


Fig. 21

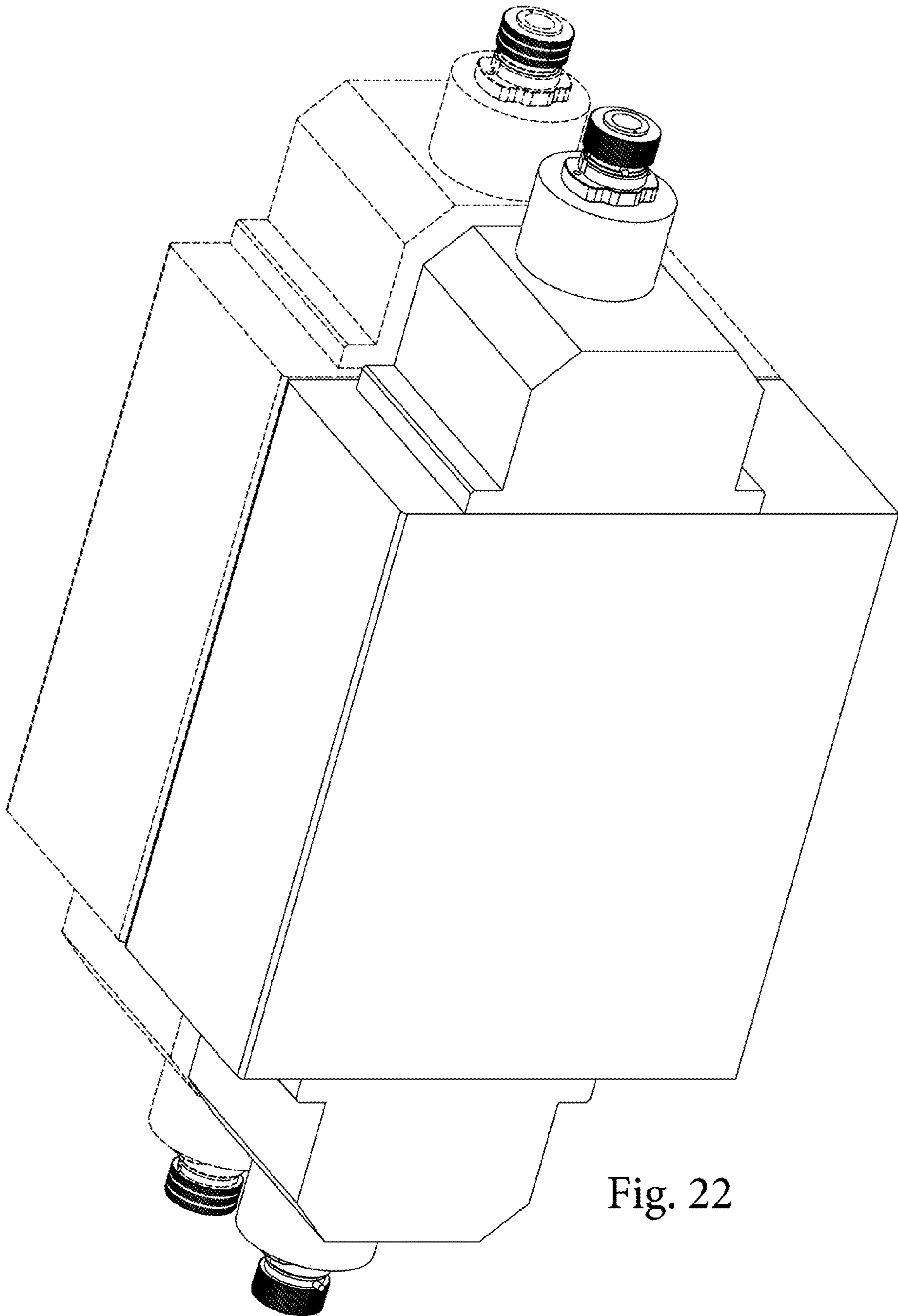


Fig. 22

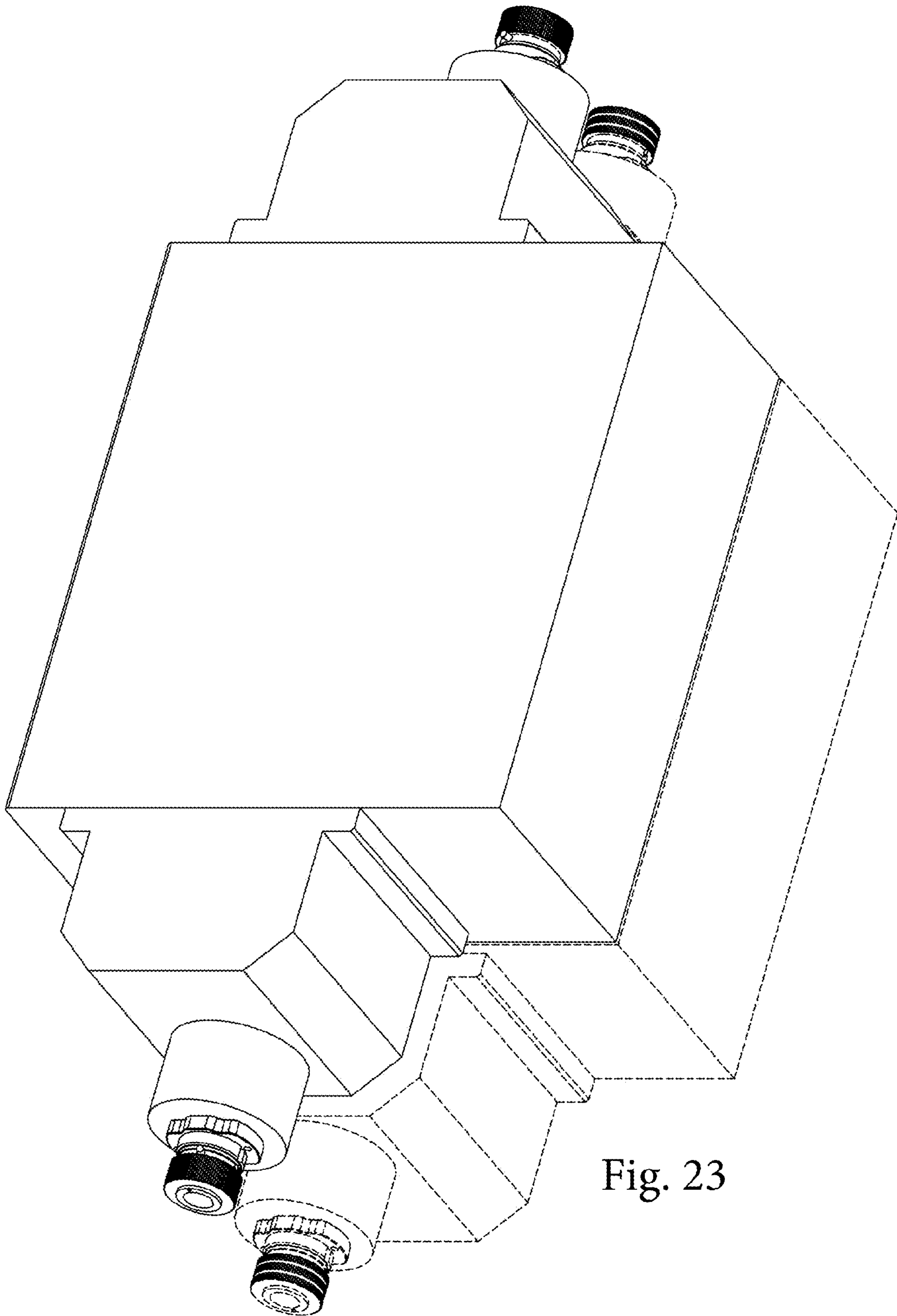


Fig. 23

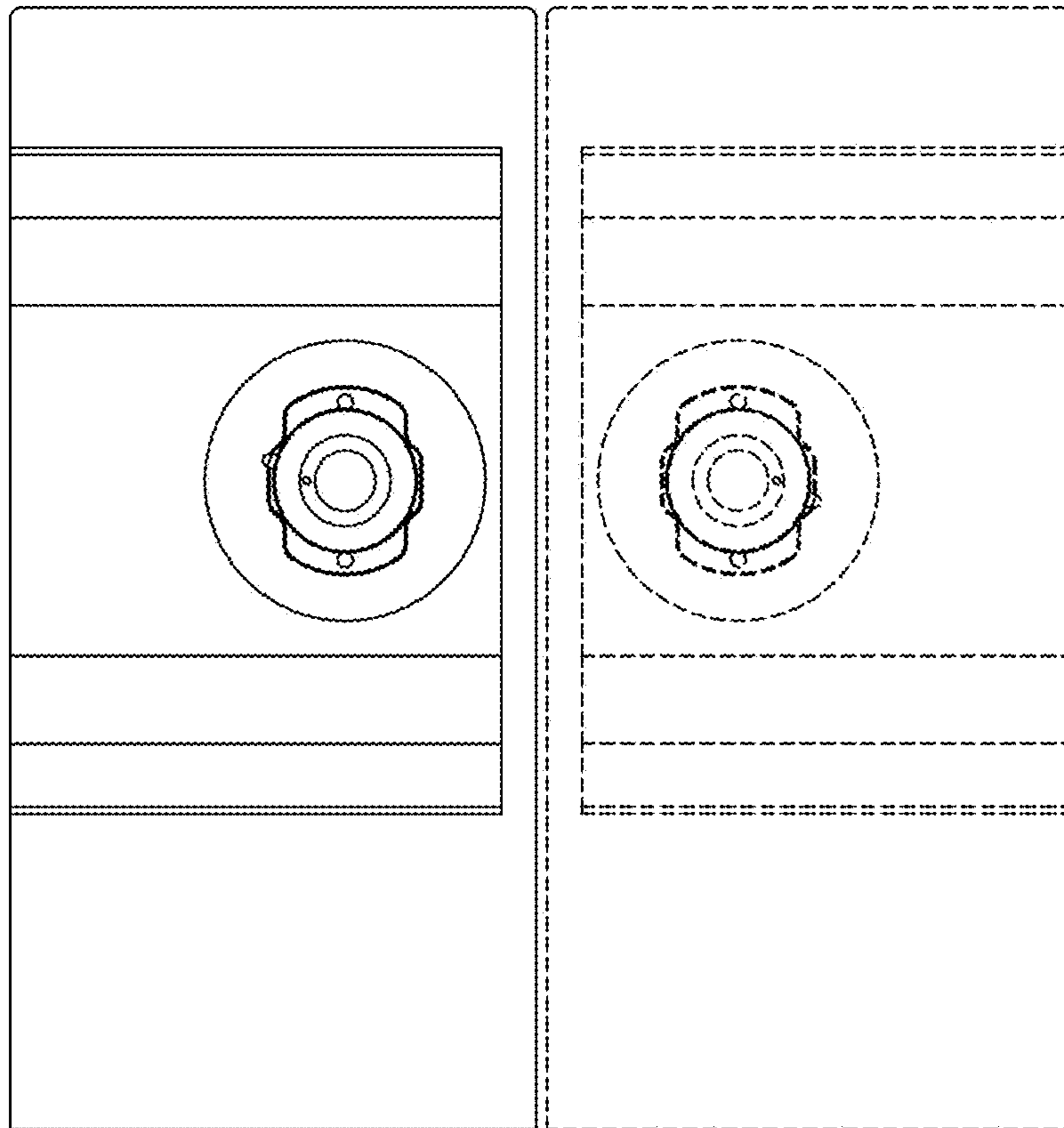


Fig. 24

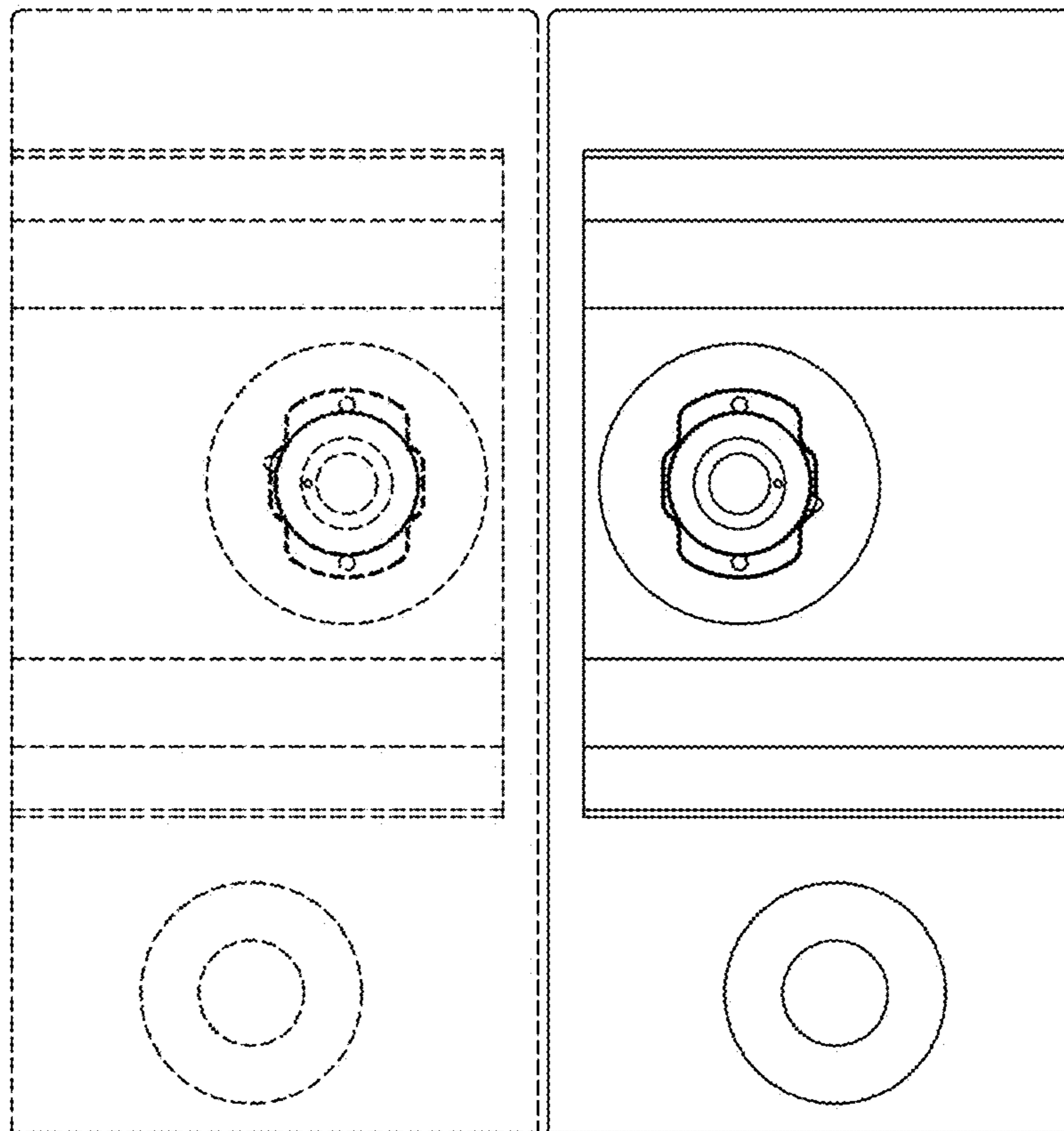


Fig. 25

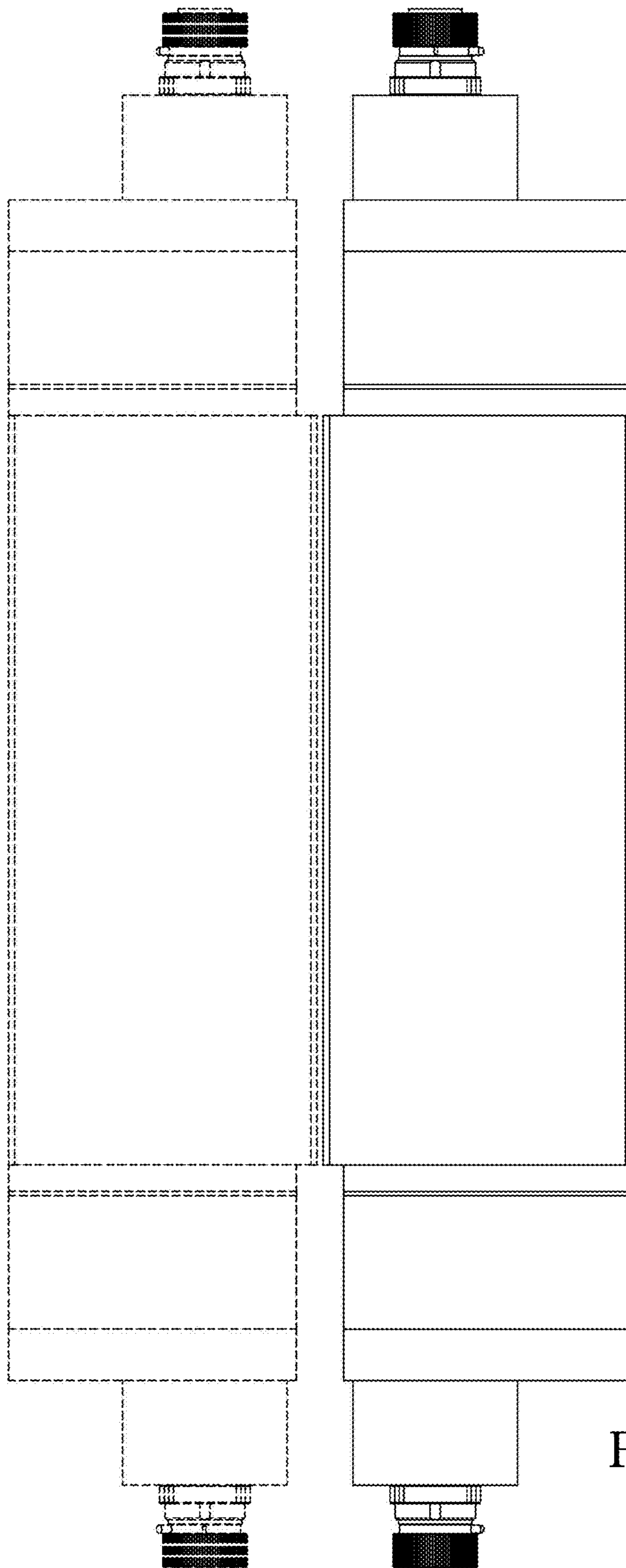


Fig. 26

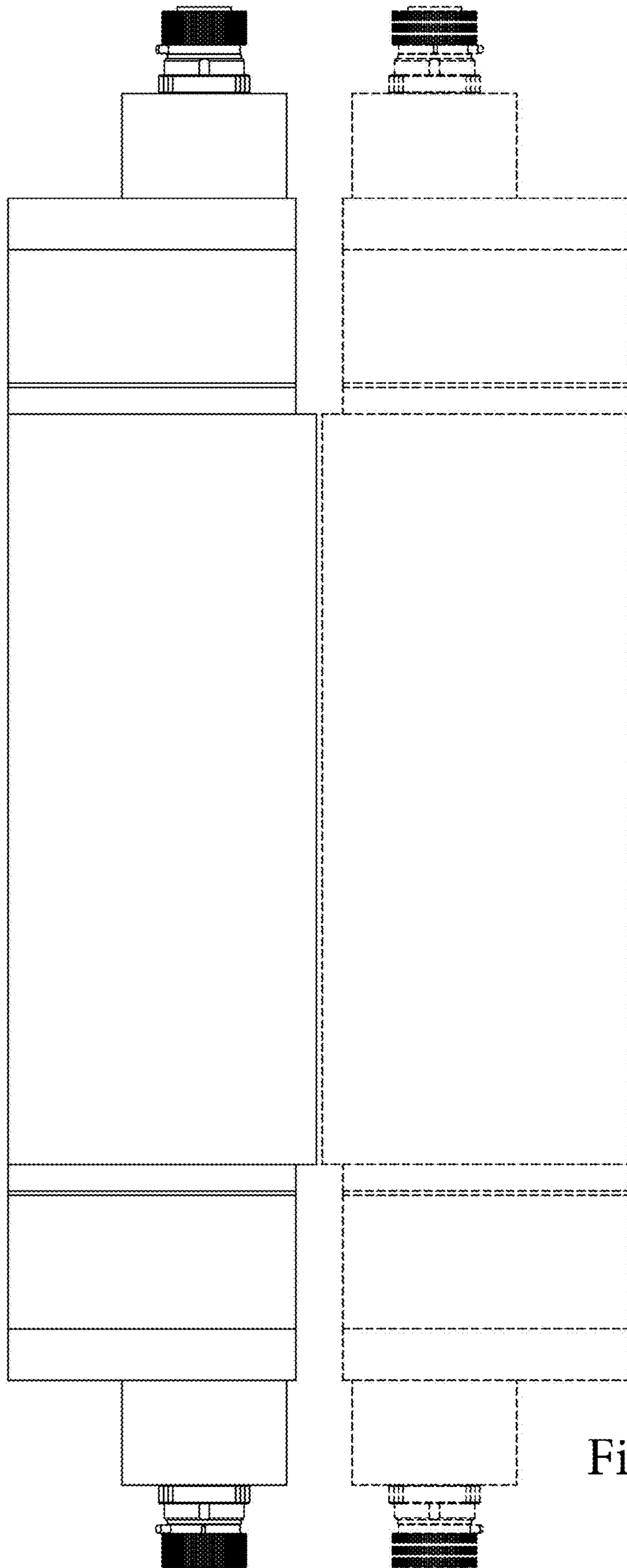


Fig. 27

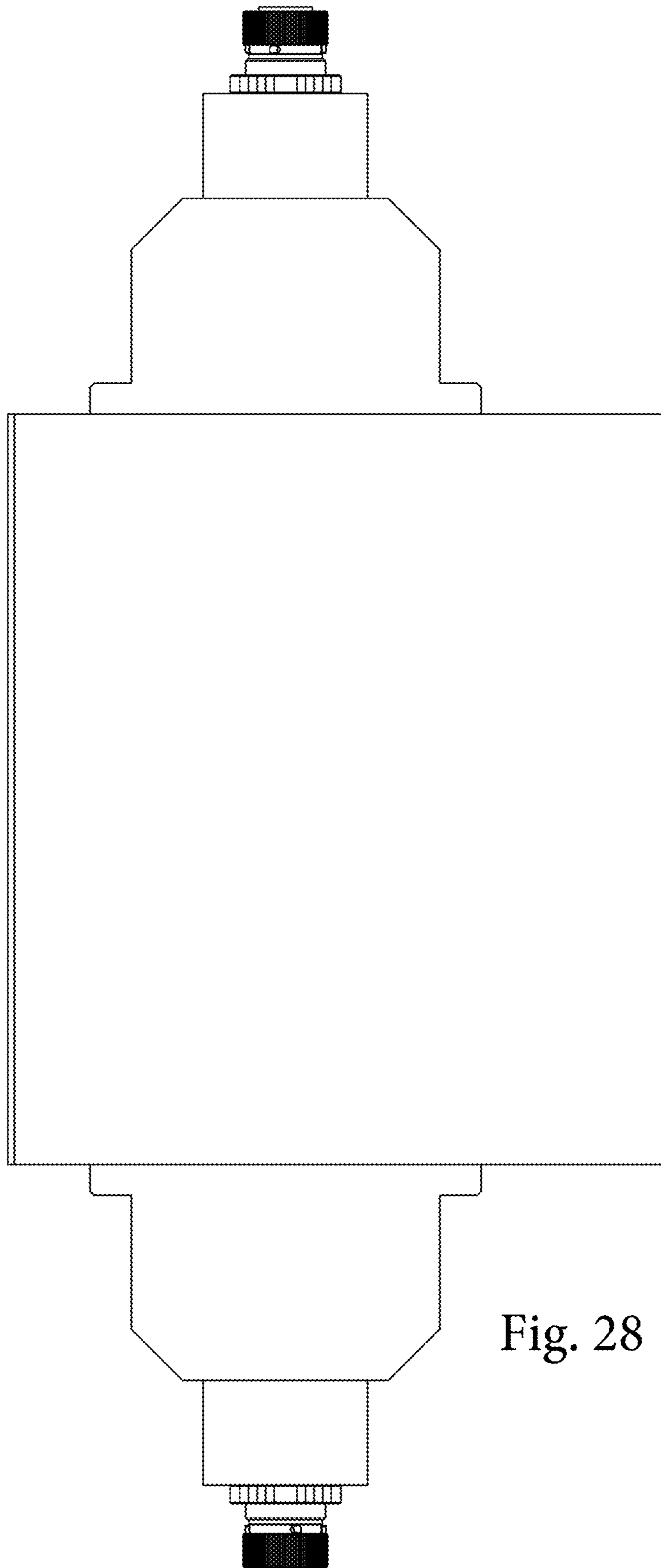


Fig. 28