



US00D985631S

(12) **United States Design Patent** (10) **Patent No.:** **US D985,631 S**
Liu (45) **Date of Patent:** **** May 9, 2023**

(54) **ICE CREAM MACHINE DISCHARGE VALVE**

(71) Applicant: **Xuhui Liu**, Guangdong (CN)

(72) Inventor: **Xuhui Liu**, Guangdong (CN)

(**) Term: **15 Years**

(21) Appl. No.: **29/808,893**

(22) Filed: **Sep. 23, 2021**

(51) **LOC (14) Cl.** **15-07**

(52) **U.S. Cl.**
USPC **D15/82**

(58) **Field of Classification Search**
USPC D15/79, 80, 81, 82, 83, 84, 85, 88, 89,
D15/90; D7/307, 308, 313, 398
CPC F25D 2323/023; F25D 23/028; F25D
23/126; F25D 11/02; F25D 2201/126;
F25C 5/187; F25C 5/08; F25C 2400/12;
F25C 2400/14; A23G 9/12; A23G 9/10;
A23G 9/106; B65D 85/78

See application file for complete search history.

(56) **References Cited**

U.S. PATENT DOCUMENTS

| | | | | | |
|-----------|-----|---------|-----------|-------|------------|
| 2,019,875 | A * | 11/1935 | Suiter | | A23G 9/26 |
| | | | | | D15/89 |
| 2,887,072 | A * | 5/1959 | Watkins | | A23G 9/281 |
| | | | | | 251/155 |
| D239,875 | S * | 5/1976 | Armstrong | | D15/89 |
| D261,891 | S * | 11/1981 | Thompson | | D15/89 |
| D280,293 | S * | 8/1985 | D'Amour | | D15/79 |
| D482,374 | S * | 11/2003 | Fan | | D15/90 |
| D635,795 | S * | 4/2011 | Buckles | | D6/682.2 |
| D768,212 | S * | 10/2016 | Lee | | D15/89 |
| D800,184 | S * | 10/2017 | Suess | | D15/79 |
| D855,087 | S * | 7/2019 | Lopez | | D15/89 |

| | | | | | |
|--------------|------|---------|-----------------|-------|------------|
| D864,260 | S * | 10/2019 | Fisher | | D15/89 |
| 10,746,452 | B2 * | 8/2020 | Chen | | F25C 5/14 |
| D970,315 | S * | 11/2022 | Kraemer | | D15/89 |
| 2006/0117784 | A1 * | 6/2006 | Yang | | F25C 5/08 |
| | | | | | 62/340 |
| 2016/0201965 | A1 * | 7/2016 | Abeygunawardana | ... | F25C 5/08 |
| | | | | | 62/349 |
| 2016/0262423 | A1 * | 9/2016 | Broser | | A23G 9/221 |

* cited by examiner

Primary Examiner — Mojtaba Tehrani

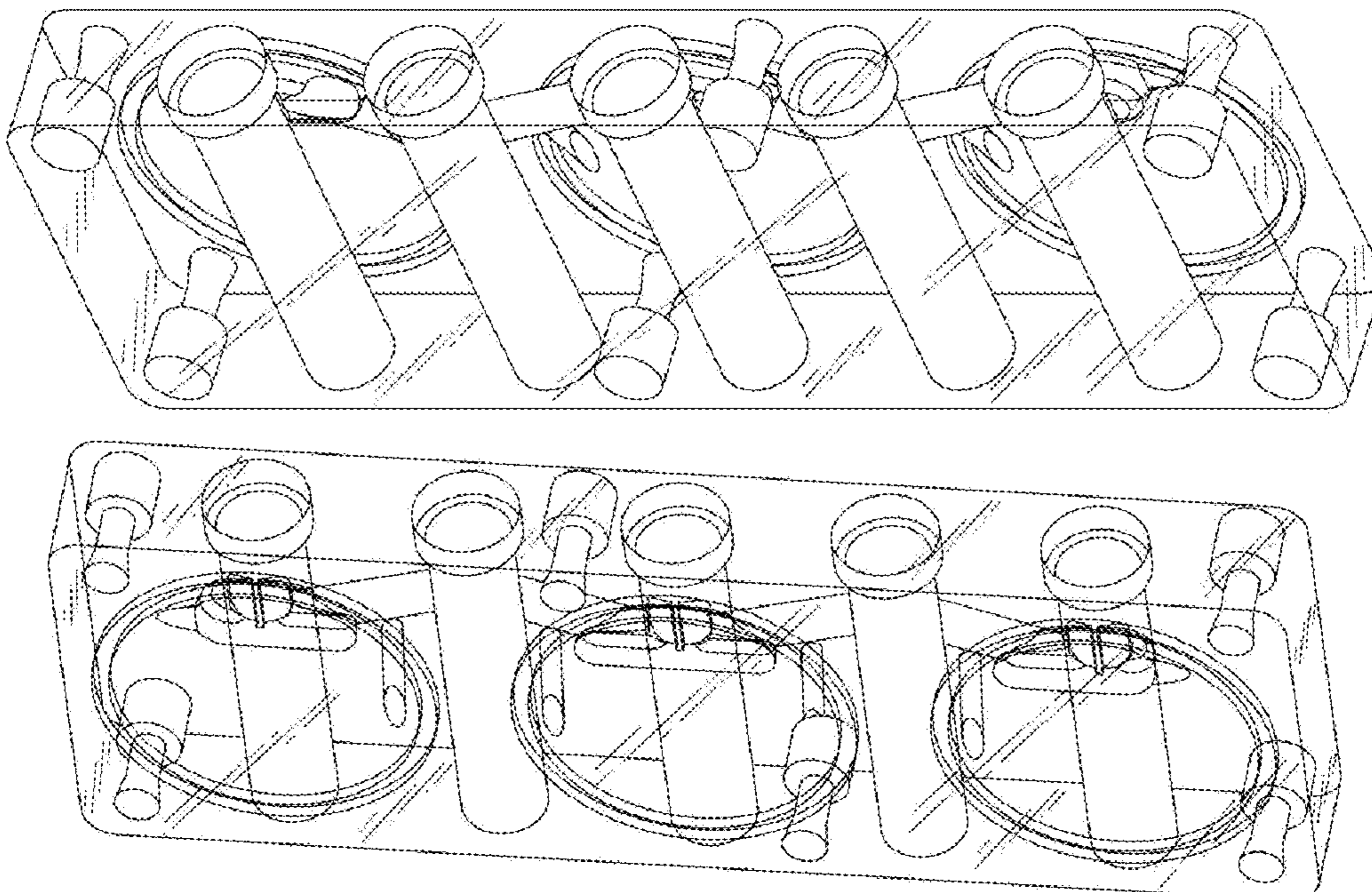
(57) **CLAIM**

The ornamental design for an ice cream machine discharge valve, as shown and described.

DESCRIPTION

FIG. 1 is a perspective view of an ice cream machine discharge valve, showing my new design;
 FIG. 2 is a front view of an ice cream machine discharge valve.
 FIG. 3 is a rear view of an ice cream machine discharge valve.
 FIG. 4 is a left side view of an ice cream machine discharge valve.
 FIG. 5 is a right side view of an ice cream machine discharge valve.
 FIG. 6 is a top view of an ice cream machine discharge valve.
 FIG. 7 is a bottom view of an ice cream machine discharge valve; and,
 FIG. 8 is a rear side perspective view of an ice cream machine discharge valve.
 Any shading and cross-hatching are not features of the design but are utilized to illustrate the surface contours of the ice cream machine discharge valve design in the drawings.

1 Claim, 8 Drawing Sheets



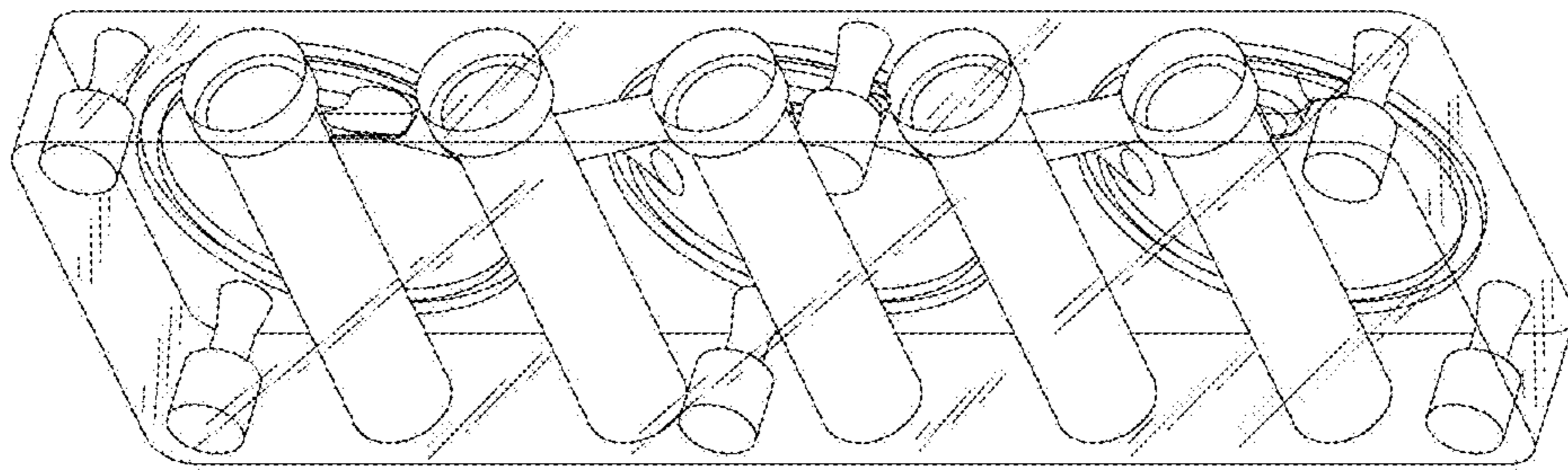


FIG. 1

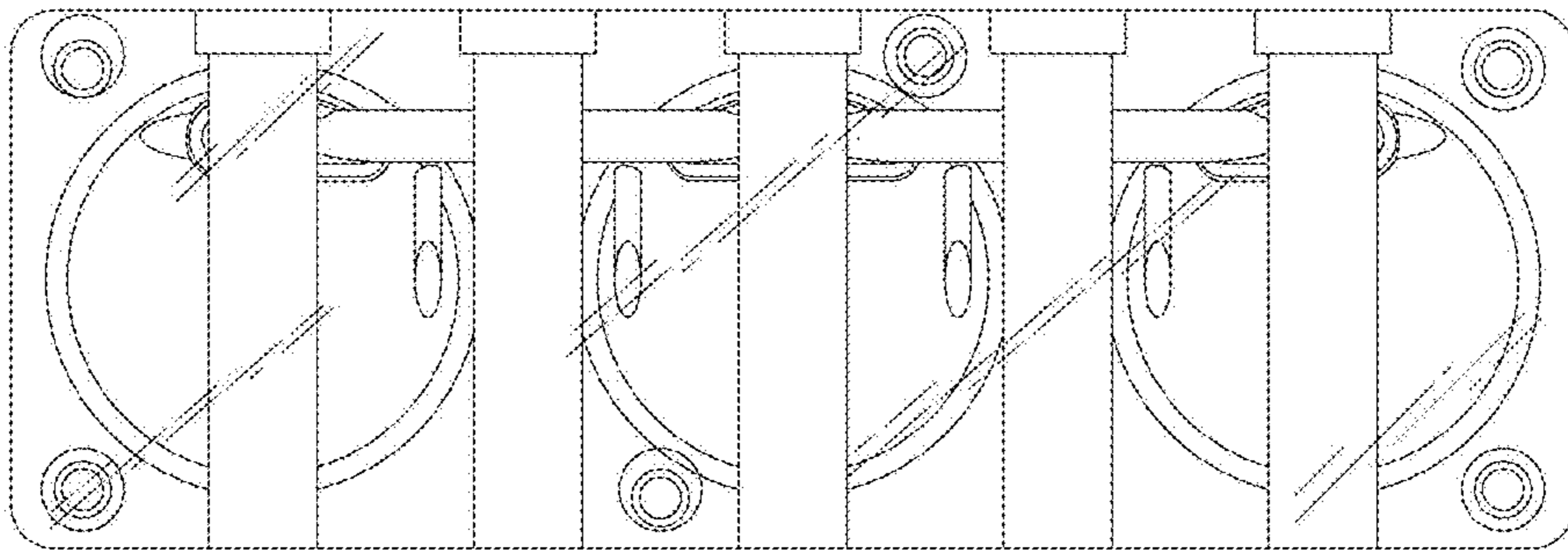


FIG. 2

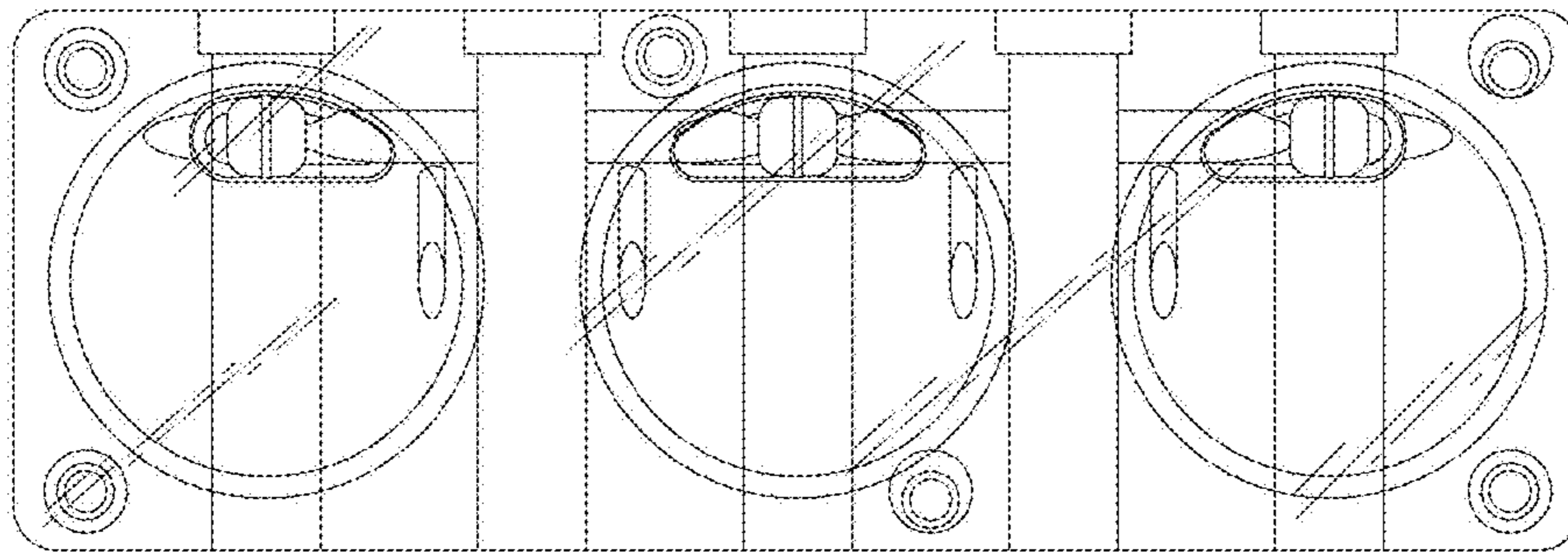


FIG. 3

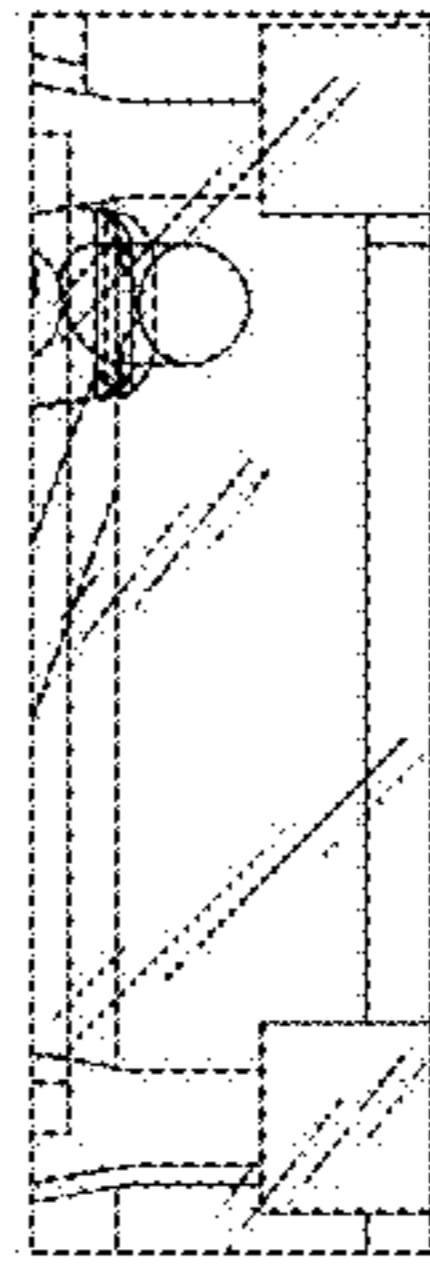


FIG. 4



FIG. 5

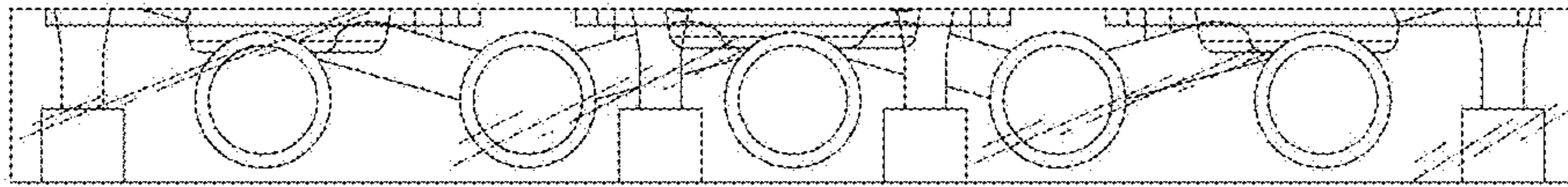


FIG. 6

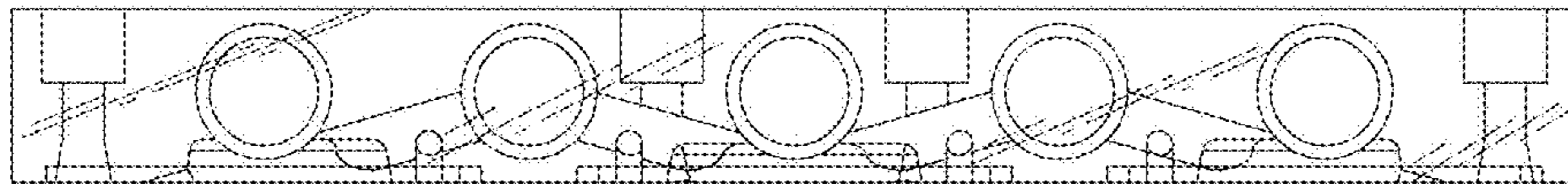


FIG. 7

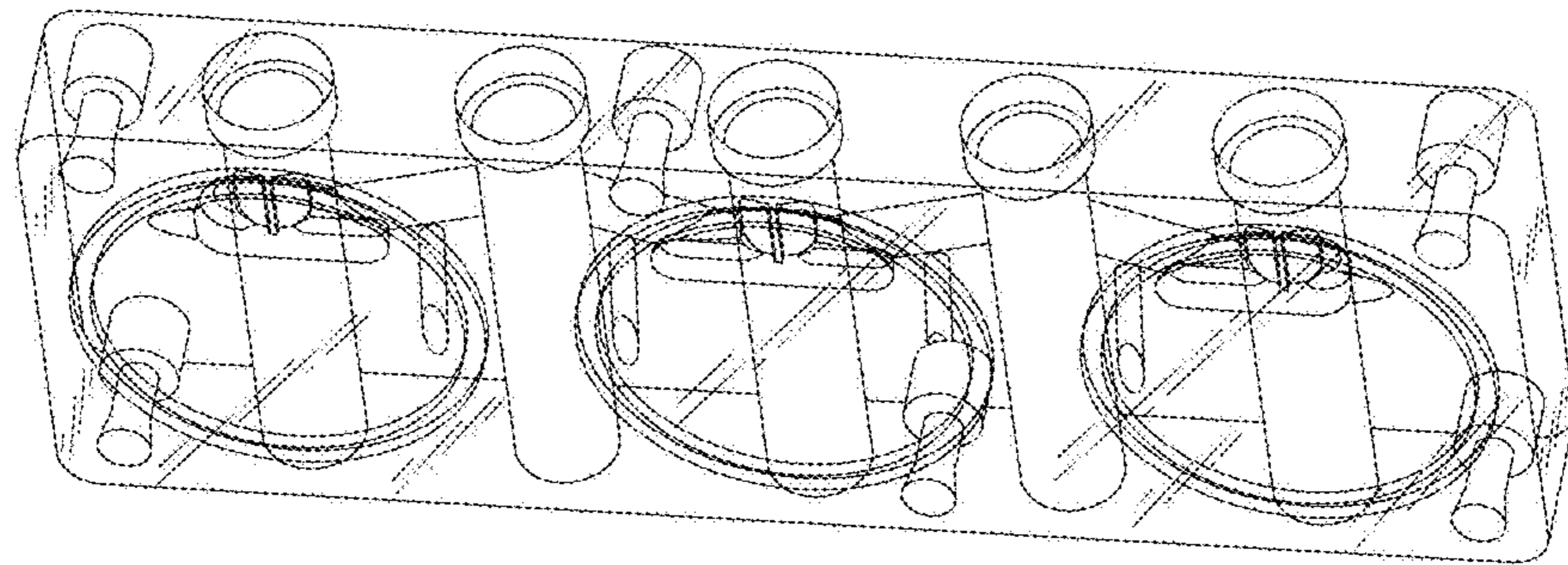


FIG. 8