



US00D985630S

(12) **United States Design Patent**
Liu

(10) **Patent No.:** **US D985,630 S**

(45) **Date of Patent:** **** May 9, 2023**

(54) **ICE CREAM MACHINE**

(71) Applicant: **Xuhui Liu**, Guangdong (CN)

(72) Inventor: **Xuhui Liu**, Guangdong (CN)

(**) Term: **15 Years**

(21) Appl. No.: **29/808,332**

(22) Filed: **Sep. 17, 2021**

(51) **LOC (14) Cl.** **15-07**

(52) **U.S. Cl.**
USPC **D15/82**

(58) **Field of Classification Search**
USPC D15/79, 80, 81, 82, 83, 84, 85, 88, 89;
D7/307

CPC F25D 2323/023; F25D 23/028; F25D
23/126; F25D 11/02; F25D 2201/126;
F25C 5/187; F25C 5/08; F25C 2400/12;
F25C 2400/14; A23G 9/12; A23G 9/10;
A23G 9/106; B65D 85/78

See application file for complete search history.

(56) **References Cited**

U.S. PATENT DOCUMENTS

D178,846 S *	9/1956	Norris	D7/308
D217,650 S *	5/1970	Lofgren	D7/308
D218,069 S *	7/1970	Cornelius et al.	D7/307
D218,082 S *	7/1970	Cornelius et al.	D7/307
D223,185 S *	3/1972	Hartley	D15/82
D223,648 S *	5/1972	Hartley	D7/307
D223,890 S *	6/1972	Hartley	D15/82
D261,390 S *	10/1981	Harvill	D7/307
D269,785 S *	7/1983	Lents	D7/311
D269,876 S *	7/1983	Lents	D7/308
D271,462 S *	11/1983	Lents	D7/307
D271,463 S *	11/1983	Lents	D7/307
D298,005 S *	10/1988	Southernwood	D7/311
D298,434 S *	11/1988	Makihara	D7/311
D335,062 S *	4/1993	Kolada	D7/308
D335,498 S *	5/1993	Kolada	D15/80
D346,088 S *	4/1994	Schroeder	D7/307

5,299,716 A *	4/1994	Hawkins	B67D 3/0009 D15/80
D364,175 S *	11/1995	Alpers	D15/82
D421,027 S *	2/2000	Strandell	D15/80
D461,991 S *	8/2002	Cunha	D7/307
6,591,877 B1 *	7/2003	Graffius	B67D 1/0872 141/360

(Continued)

OTHER PUBLICATIONS

“VEVOR Countertop Ice Cream Maker, 20-28L/H Yield, 2+1 Flavors Soft Serve Machine w/ Two 7L Hoppers 1.8L Cylinders Puffing Pre-Cooling Shortage Alarm, 2450W Frozen Yogurt Maker for Restaurant Snack Bar” [online]. VEVOR. [First available on Feb. 9, 2022]. Retrieved from the Internet: <<https://www.amazon.com/dp/B09S3RS3CM>>.*

(Continued)

Primary Examiner — Mojtaba Tehrani

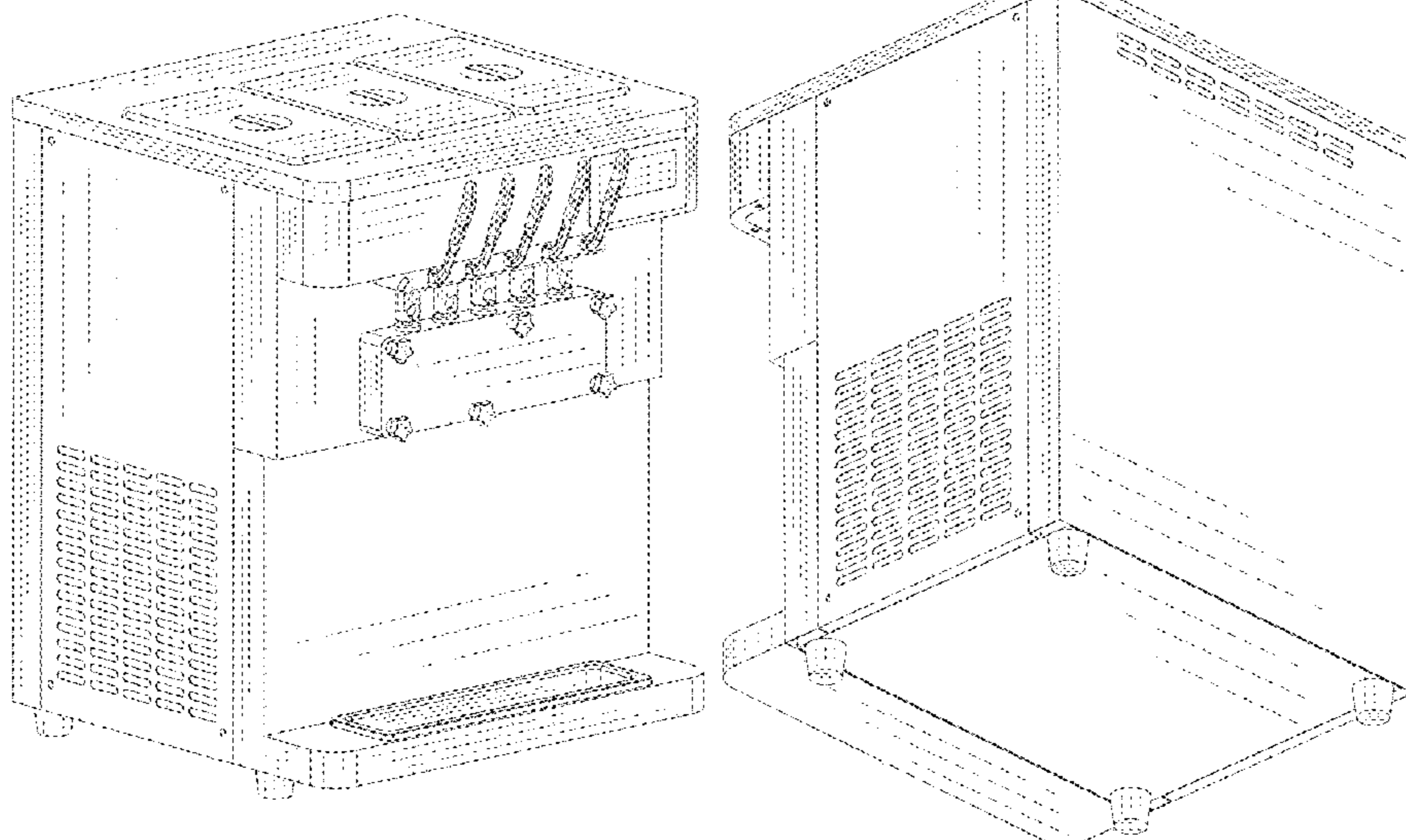
(57) **CLAIM**

The ornamental design for an ice cream machine, as shown and described.

DESCRIPTION

FIG. 1 is a perspective view of an ice cream machine, showing my new design;
FIG. 2 is a front view of an ice cream machine.
FIG. 3 is a rear view of an ice cream machine.
FIG. 4 is a left side view of an ice cream machine.
FIG. 5 is a right side view of an ice cream machine.
FIG. 6 is a top view of an ice cream machine.
FIG. 7 is a bottom view of an ice cream machine; and,
FIG. 8 is a rear side perspective view of an ice cream machine.
Any shading and cross-hatching are not features of the design but are utilized to illustrate the surface contours of the ice cream machine design in the drawings.

1 Claim, 8 Drawing Sheets



(56)

References Cited

U.S. PATENT DOCUMENTS

D486,687	S *	2/2004	Strandell	D7/307
D487,215	S *	3/2004	Watkins	D7/307
D529,750	S *	10/2006	Baron	D7/307
D671,568	S *	11/2012	Pelayo	D15/82
D671,963	S *	12/2012	Pelayo	D15/82
D685,399	S *	7/2013	Pelayo	D15/82
D848,195	S *	5/2019	Broen	D7/307
D848,212	S *	5/2019	Mohammed	D7/397
D853,169	S *	7/2019	Choi	D7/307
D866,619	S *	11/2019	De Clercq	D15/79
D900,170	S *	10/2020	Nicchi	D15/82
D948,908	S *	4/2022	Broen	D7/307
2018/0070760	A1 *	3/2018	Herbert	A23G 9/22
2018/0220673	A1 *	8/2018	Grampassi	A23G 9/12

OTHER PUBLICATIONS

“VEVOR 2200W Commercial Ice Cream Machine 20 To 28L or 5.3 To 7.4Galper Hour Soft Serve Ice Cream Maker with LED Display Auto Shut Off Timer 3 Flavors Perfect for Restaurants Snack bar Supermarkets” [online]. VEVOR. [First available on Dec. 14, 2021]. Retrieved from the Internet: <<https://www.amazon.com/dp/B09NLM6SYF>>.*

* cited by examiner

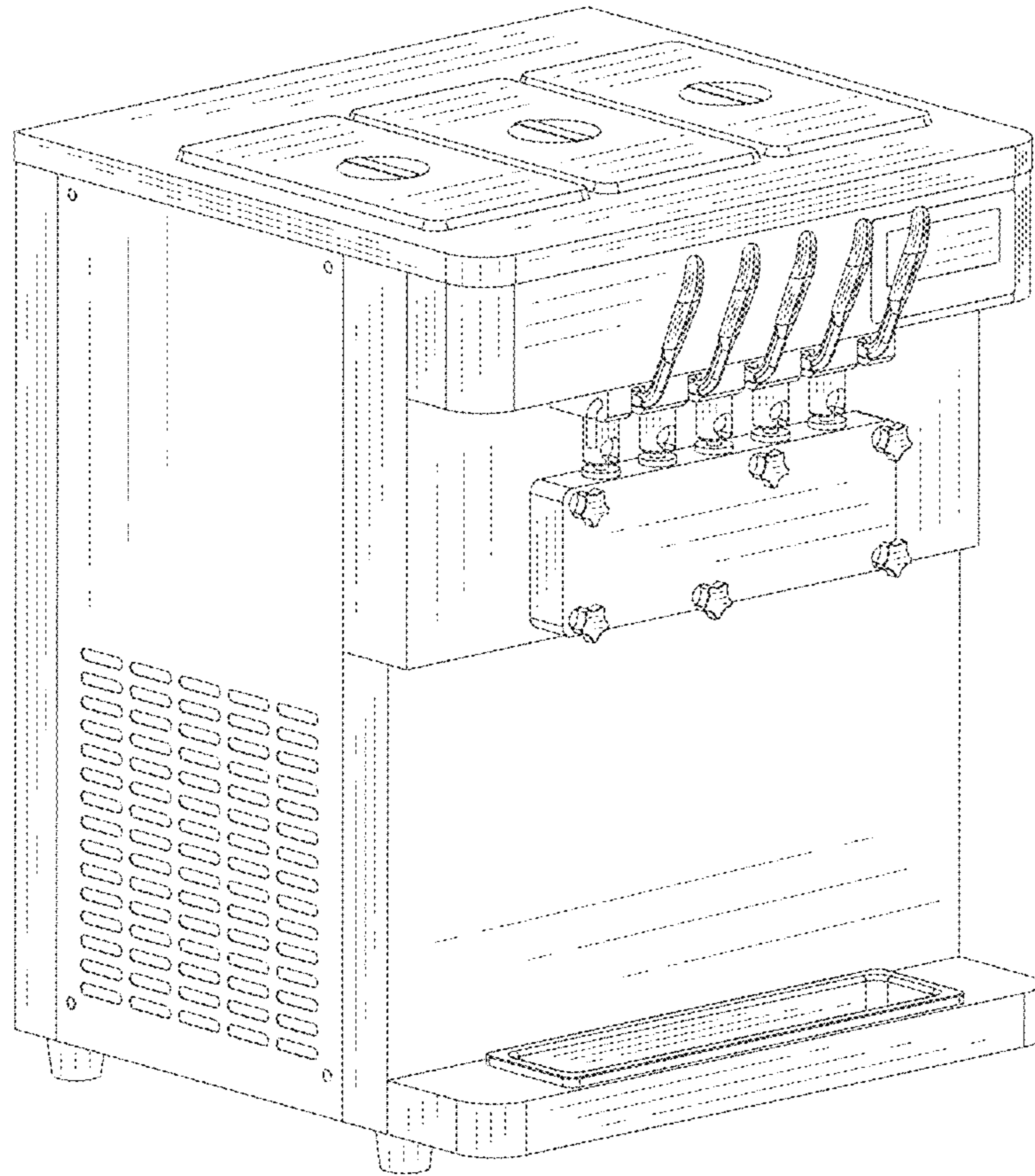


FIG. 1

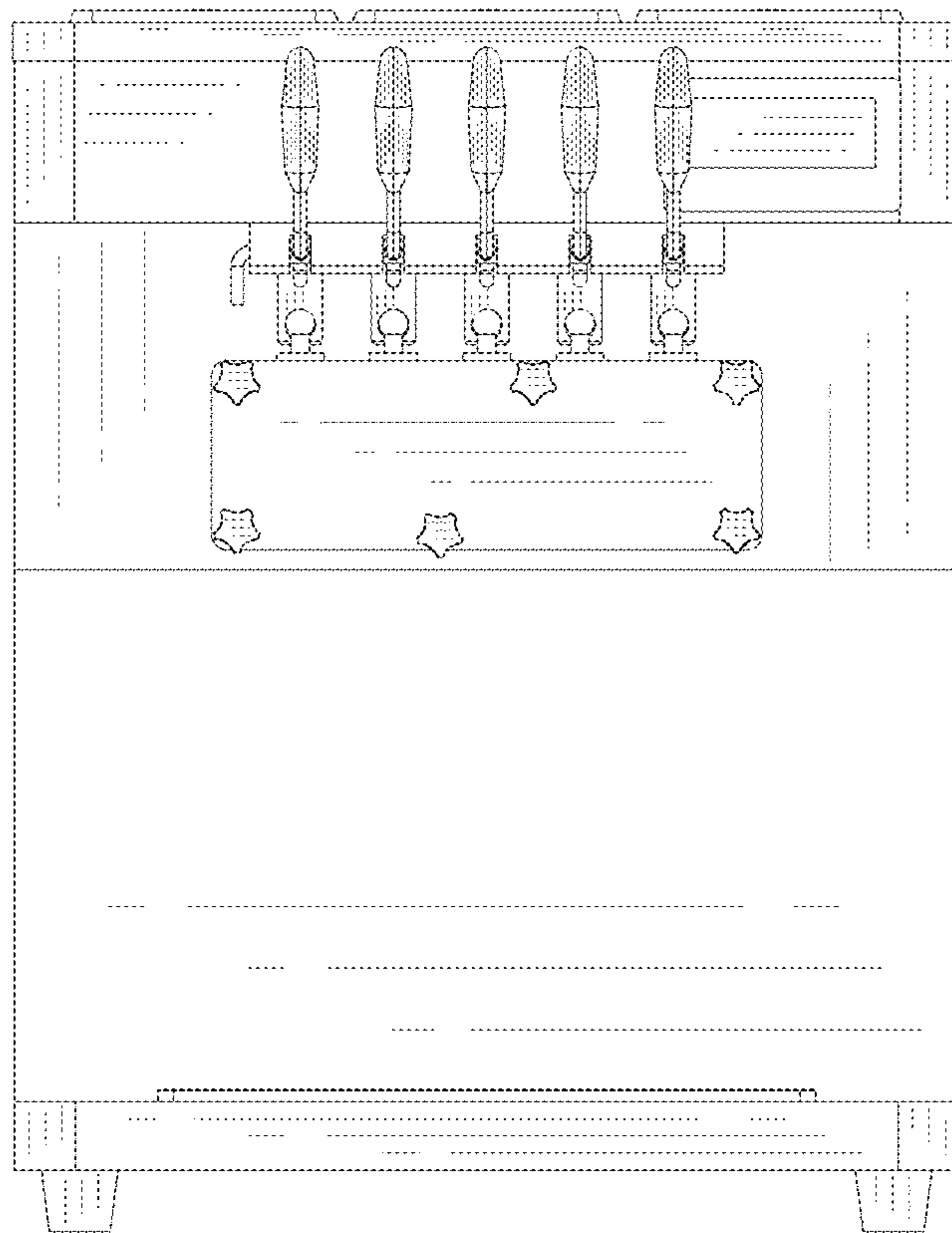


FIG. 2

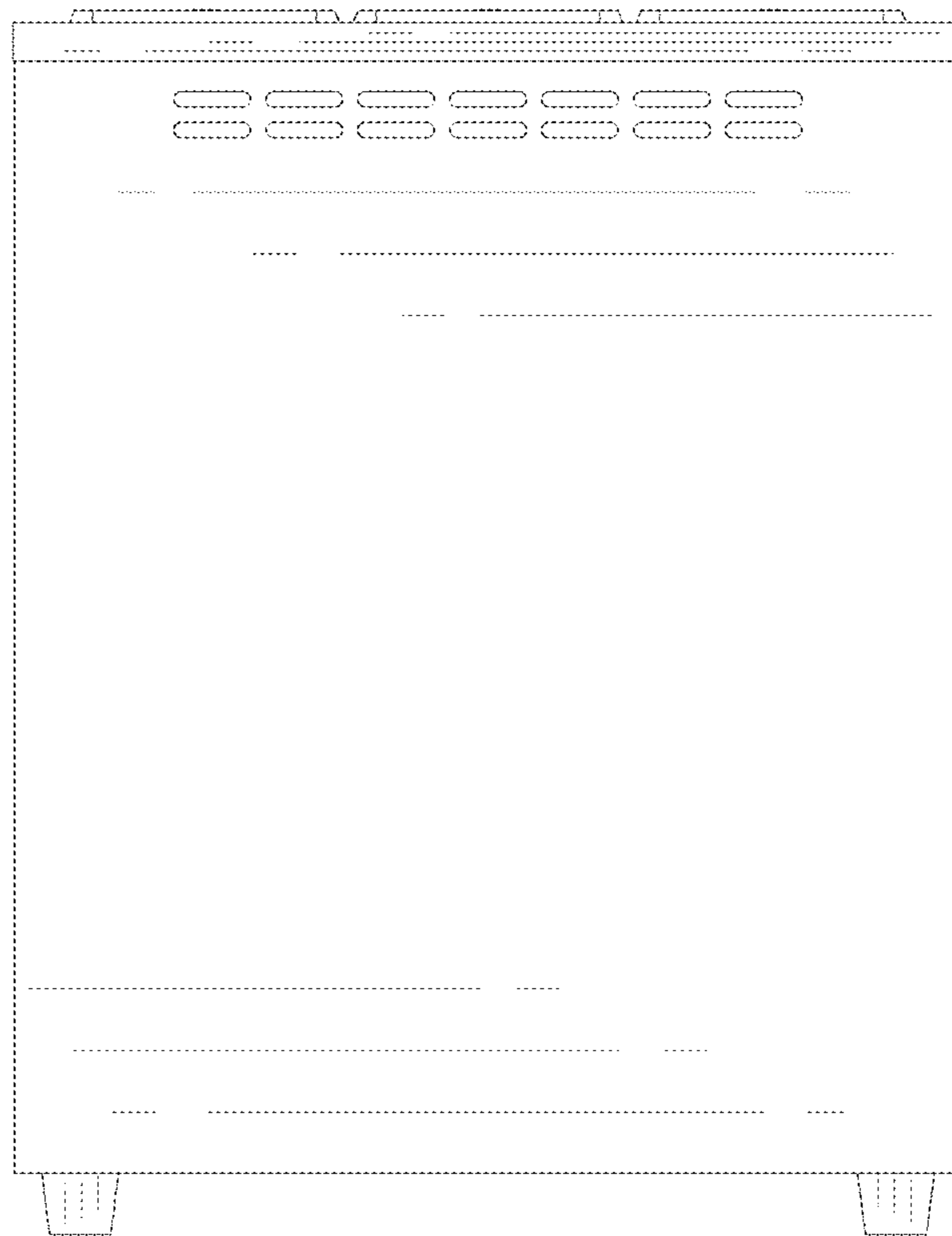


FIG. 3

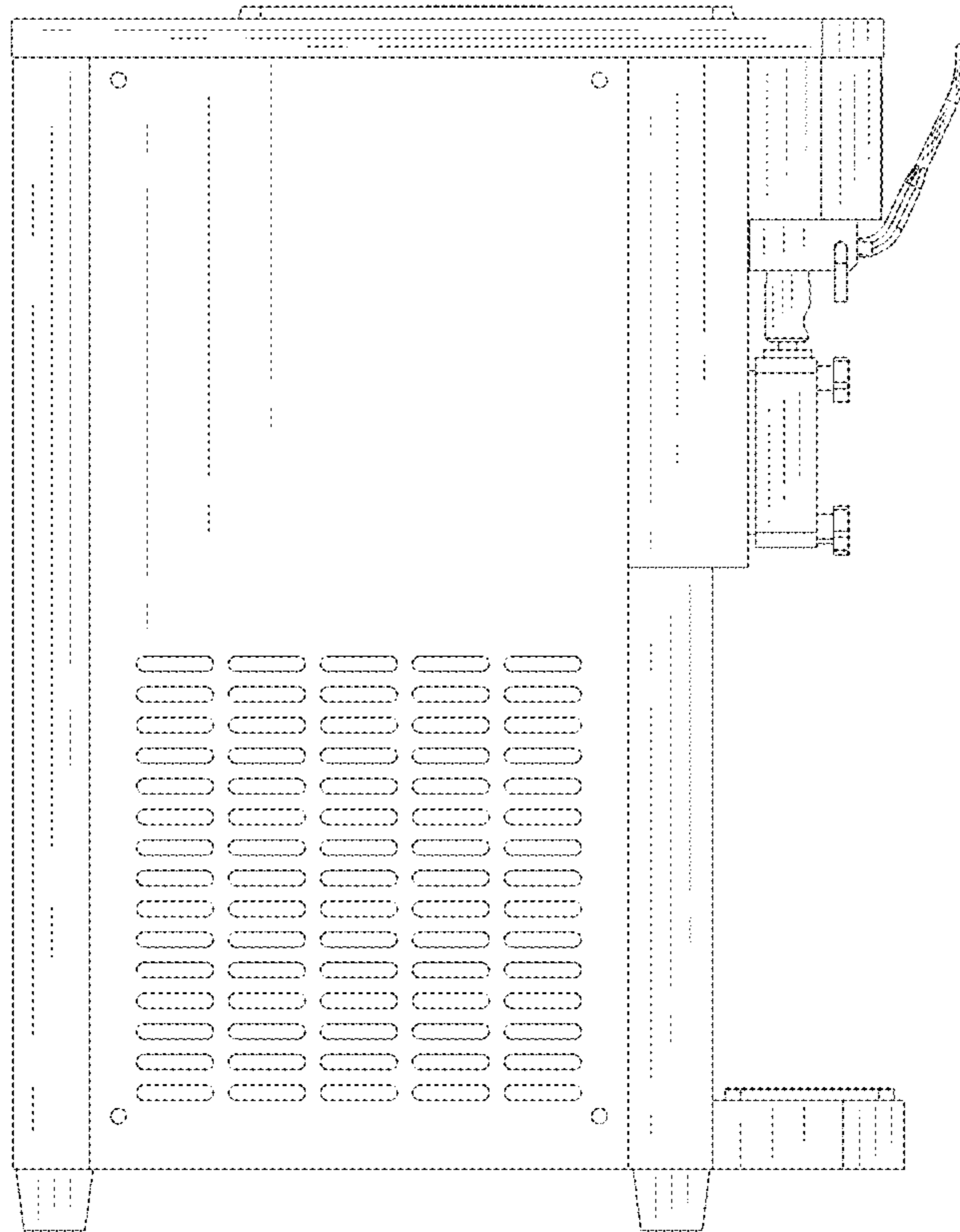


FIG. 4

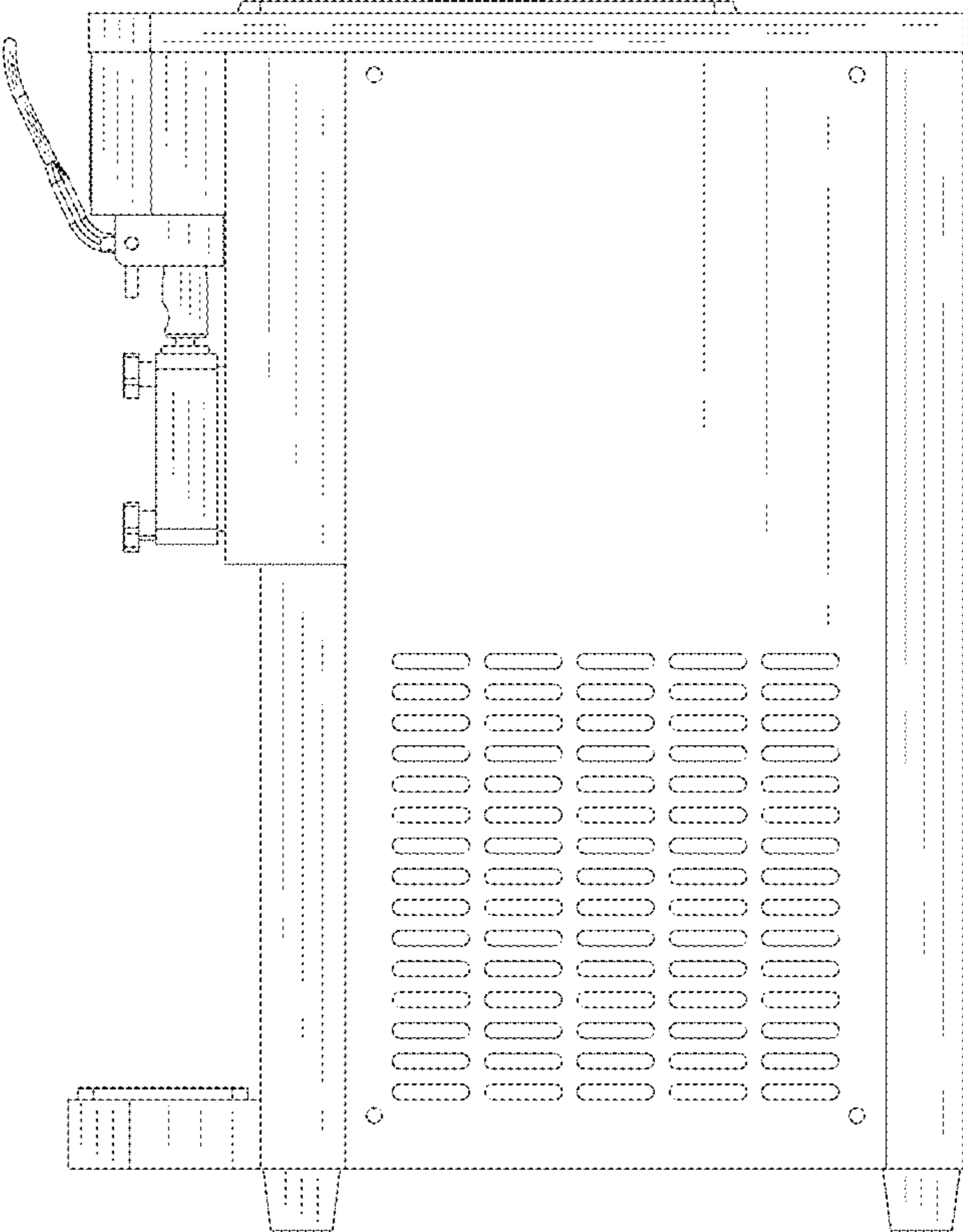


FIG. 5

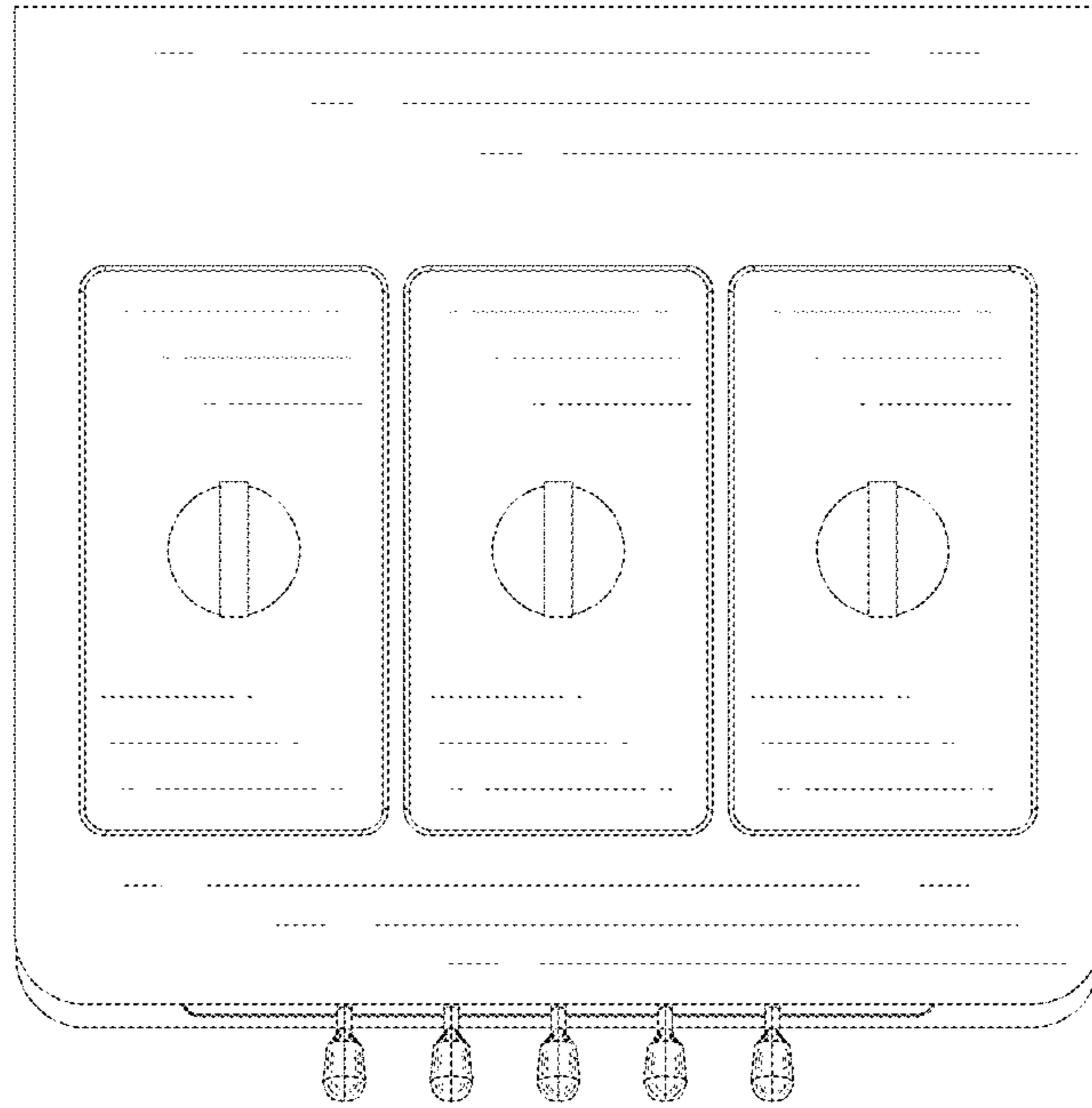


FIG. 6

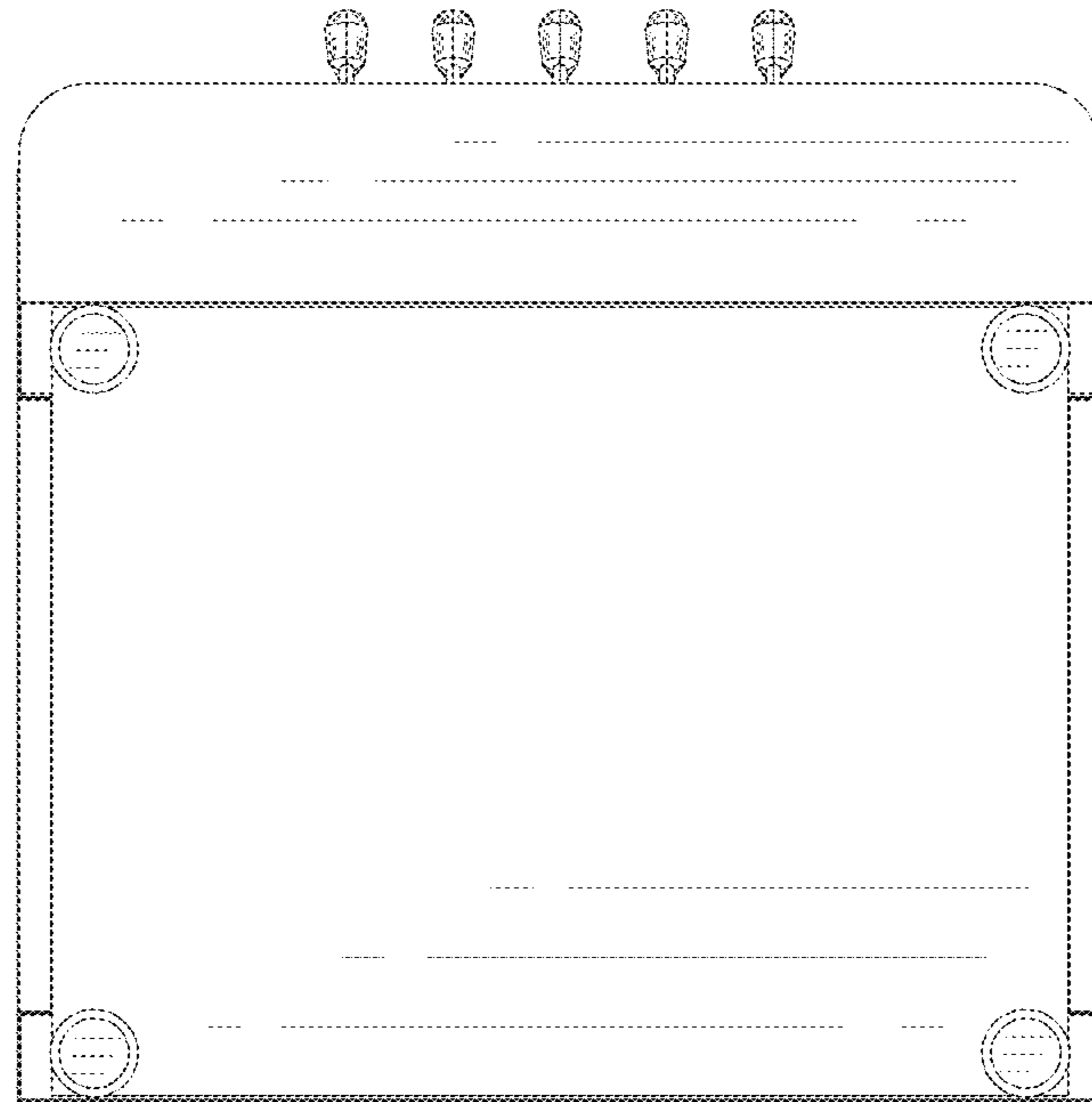


FIG. 7

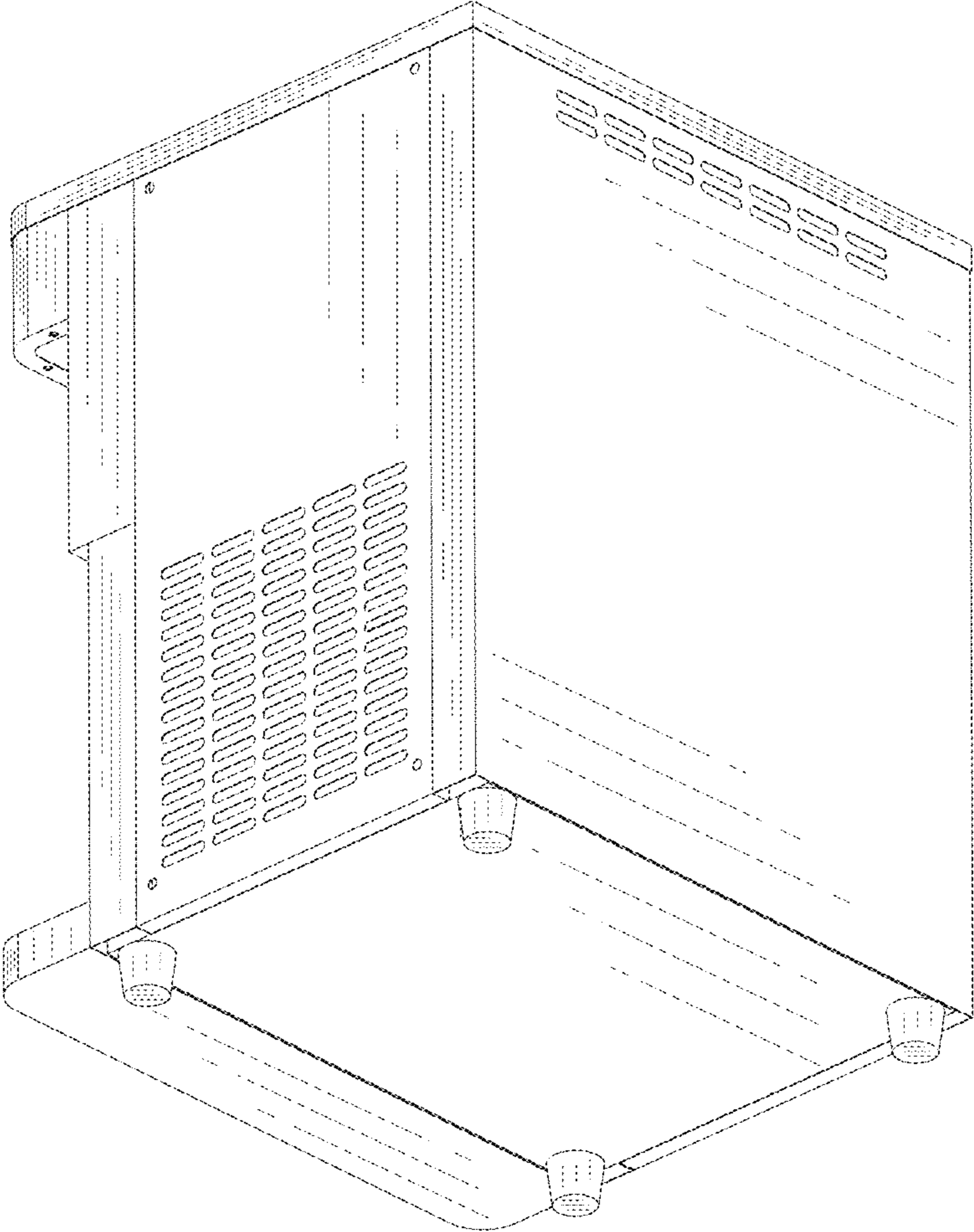


FIG. 8