



US00D985628S

(12) **United States Design Patent** (10) **Patent No.:** **US D985,628 S**  
**Knatt** (45) **Date of Patent:** **\*\* May 9, 2023**

(54) **ICE MAKER**

(74) *Attorney, Agent, or Firm* — Stinson LLP

(71) Applicant: **True Manufacturing Company, Inc.**,  
O’Fallon, MO (US)

(72) Inventor: **Kevin Knatt**, O’Fallon, MO (US)

(57) **CLAIM**

(73) Assignee: **TRUE MANUFACTURING CO., INC.**, O’Fallon, MO (US)

The ornamental design for an ice maker, as shown and described.

(\*\*) Term: **15 Years**

**DESCRIPTION**

(21) Appl. No.: **29/790,824**

(22) Filed: **Dec. 16, 2021**

**Related U.S. Application Data**

(62) Division of application No. 29/782,832, filed on May 10, 2021, now Pat. No. Des. 941,888.

(51) **LOC (14) Cl.** ..... **15-07**

(52) **U.S. Cl.**  
USPC ..... **D15/80; D15/89**

(58) **Field of Classification Search**  
USPC ..... D15/79, 80, 81, 82, 83, 84, 85, 86, 87,  
D15/88, 89, 90, 91; D7/603, 605, 606,  
(Continued)

(56) **References Cited**

**U.S. PATENT DOCUMENTS**

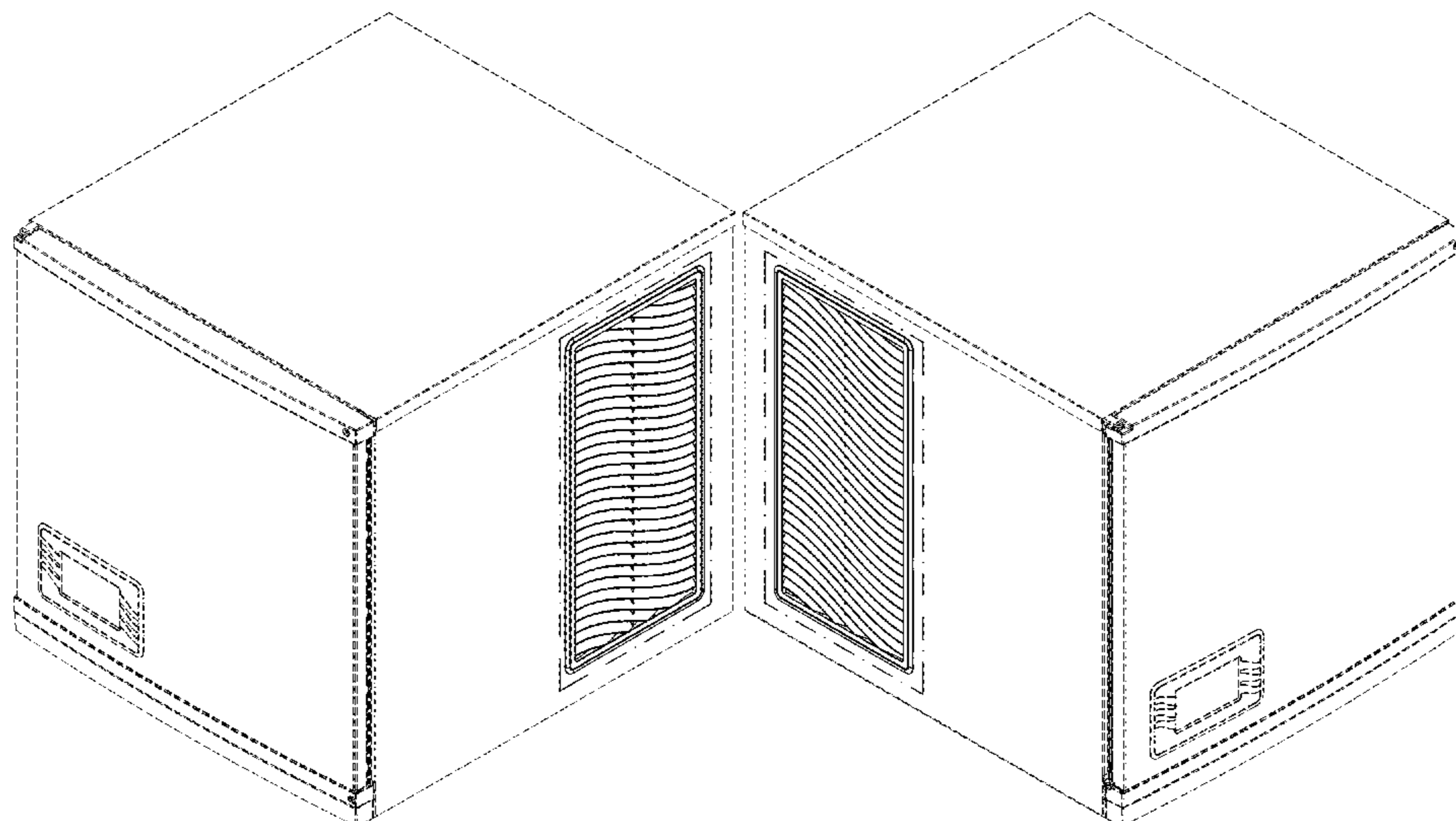
D147,252 S ‡ 8/1947 Rothert ..... D15/88  
D161,975 S ‡ 2/1951 Thomaras ..... D15/85  
(Continued)

**OTHER PUBLICATIONS**

“Compact Refrigerators” [online], nfm.com. [Retrieved on Jun. 16, 2021]. Retrieved from the Internet: &lt;https://www.nfm.com/refrigerators?type=Compact&gt;.‡  
(Continued)

*Primary Examiner* — Mojtaba Tehrani

**1 Claim, 12 Drawing Sheets**



(58) **Field of Classification Search**

USPC ..... D7/607, 608; D23/388, 392, 393;  
D25/48.8  
CPC ..... F25C 2400/10; F25D 2400/10; F25D  
2400/12; F25D 2400/14; F25D 2400/18;  
G05B 2219/2654; G09F 23/0058; Y10S  
292/71

See application file for complete search history.

(56) **References Cited**

U.S. PATENT DOCUMENTS

D167,825 S † 9/1952 Dailey ..... D15/88  
2,642,728 A † 6/1953 Thomaras ..... F25D 11/02  
62/331  
D205,544 S † 8/1966 Smith ..... D20/5  
D269,380 S \* 6/1983 d'Avila ..... D25/48.8  
D292,098 S \* 9/1987 Pandolfi ..... D15/82  
D314,579 S \* 2/1991 Maxwell ..... D15/80  
D354,064 S † 1/1995 Sims ..... D15/81  
D394,270 S \* 5/1998 Strandell ..... D15/80  
D437,405 S \* 2/2001 Schrank ..... D23/393  
D453,564 S \* 2/2002 Schrank ..... D23/393  
D454,391 S \* 3/2002 Schrank ..... D23/393  
D470,233 S \* 2/2003 Sarkinen ..... D23/388  
D520,533 S \* 5/2006 Reese ..... D15/89  
D521,536 S \* 5/2006 Reese ..... D15/89  
D539,312 S † 3/2007 Kim ..... D15/81  
D551,685 S † 9/2007 Chen ..... D15/88  
D567,828 S † 4/2008 Moran ..... D15/79  
D568,909 S † 5/2008 Santiago ..... D15/81  
D594,483 S \* 6/2009 Cefalu ..... D15/81  
D618,712 S \* 6/2010 Tsuji ..... D15/79  
D618,713 S \* 6/2010 Tsuji ..... D15/79  
D649,565 S \* 11/2011 LaFond ..... D15/80  
D652,253 S \* 1/2012 Wildenbos ..... D7/351  
D653,682 S \* 2/2012 Herning ..... D15/80

D668,272 S † 10/2012 Ebelt ..... D15/81  
D669,920 S \* 10/2012 LaFond ..... D15/81  
D673,185 S \* 12/2012 LaFond ..... D15/80  
D718,854 S \* 12/2014 Hamman, Jr. .... D23/393  
D734,371 S \* 7/2015 Lei ..... D15/80  
D736,272 S \* 8/2015 Stolarz ..... D15/81  
D762,744 S † 8/2016 Tissi ..... D15/81  
D771,157 S \* 11/2016 Yamada ..... D15/81  
D774,568 S † 12/2016 Bonney ..... D15/81  
D800,799 S † 10/2017 Feng ..... D15/81  
D807,929 S † 1/2018 Feng ..... D15/81  
D810,151 S \* 2/2018 Wang ..... D15/88  
D832,311 S \* 10/2018 Twigg, III ..... D15/79  
D841,699 S \* 2/2019 Foyen ..... D15/79  
D864,259 S \* 10/2019 Staton ..... D15/89  
D875,793 S † 2/2020 Bradley ..... D15/91  
D886,163 S \* 6/2020 Yao ..... D15/81  
D908,146 S \* 1/2021 Kim ..... F25D 25/025  
D15/79  
D921,879 S \* 6/2021 Klauer ..... D23/397  
D934,311 S \* 10/2021 Knatt ..... D15/80  
D934,924 S \* 11/2021 Knatt ..... D15/80  
D941,888 S \* 1/2022 Knatt ..... D15/80  
2011/0232323 A1 \* 9/2011 Morris ..... F25D 11/00  
62/457.9  
2018/0127150 A1 † 5/2018 Adanur ..... A47B 87/0292  
2020/0029782 A1 † 1/2020 Bussell ..... G09F 3/14  
2020/0166261 A1 † 5/2020 Hosamani ..... F25C 1/24  
2021/0222939 A1 \* 7/2021 Knatt ..... F25C 5/24  
2021/0222940 A1 \* 7/2021 Knatt ..... F25C 5/20

OTHER PUBLICATIONS

“Compact Refrigerators” [online] nfm.com. [Retrieved on Jun. 16, 2021], Retrieved from the Internet: <<https://www.nfm.com/refrigerators?type=Compact>>.

\* cited by examiner  
† imported from a related application

FIG. 1

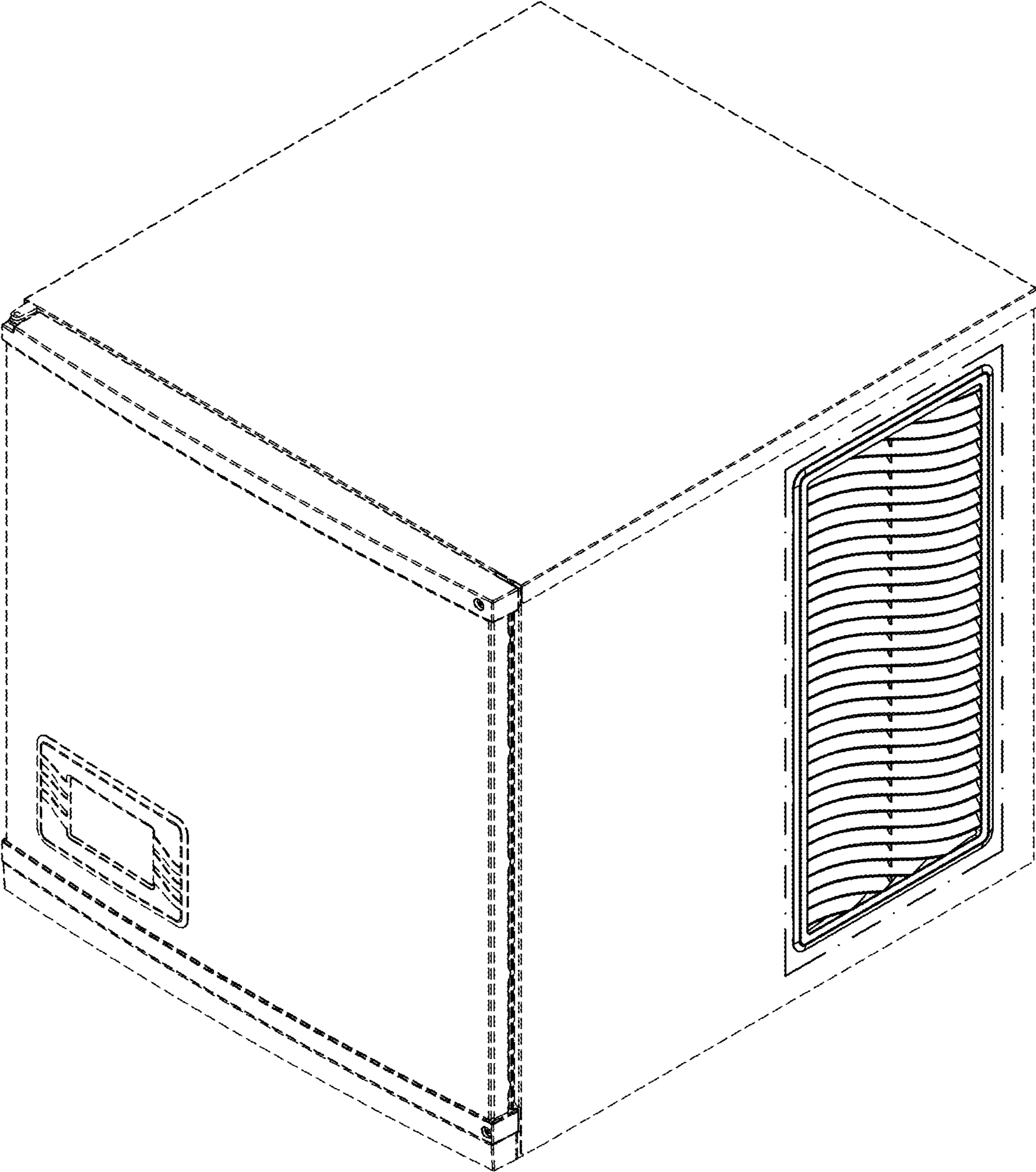




FIG. 2

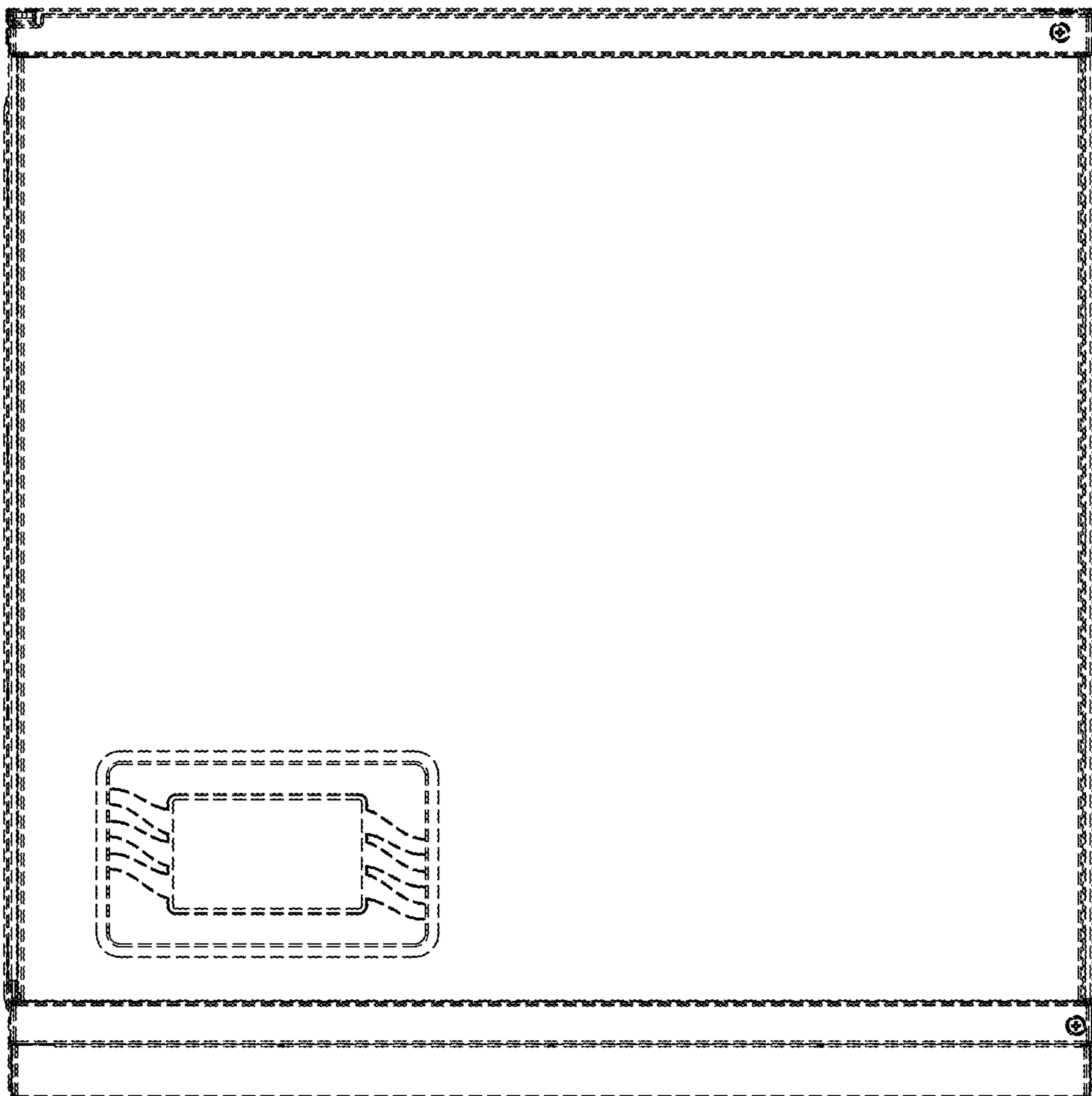


FIG. 3

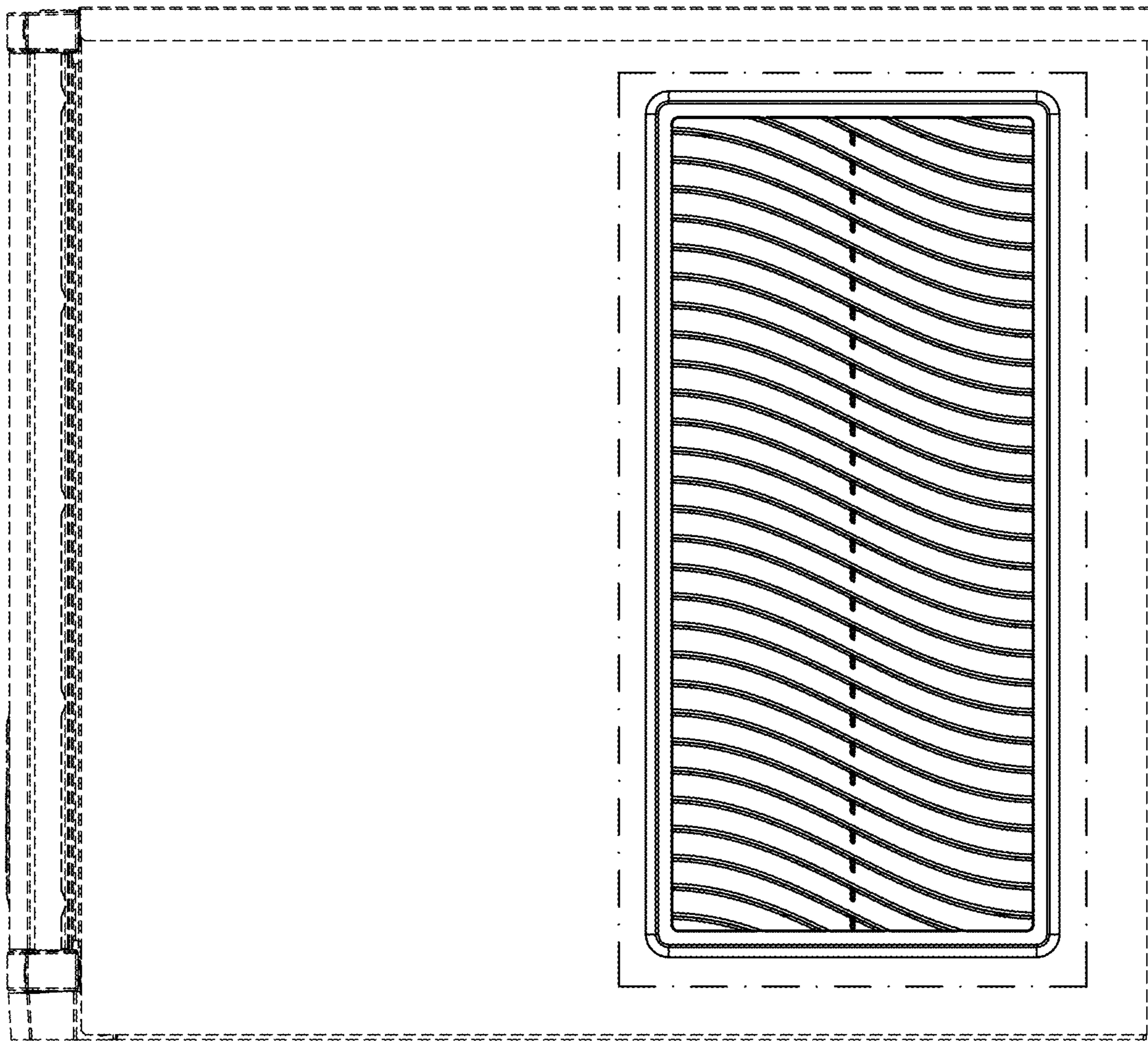


FIG. 4

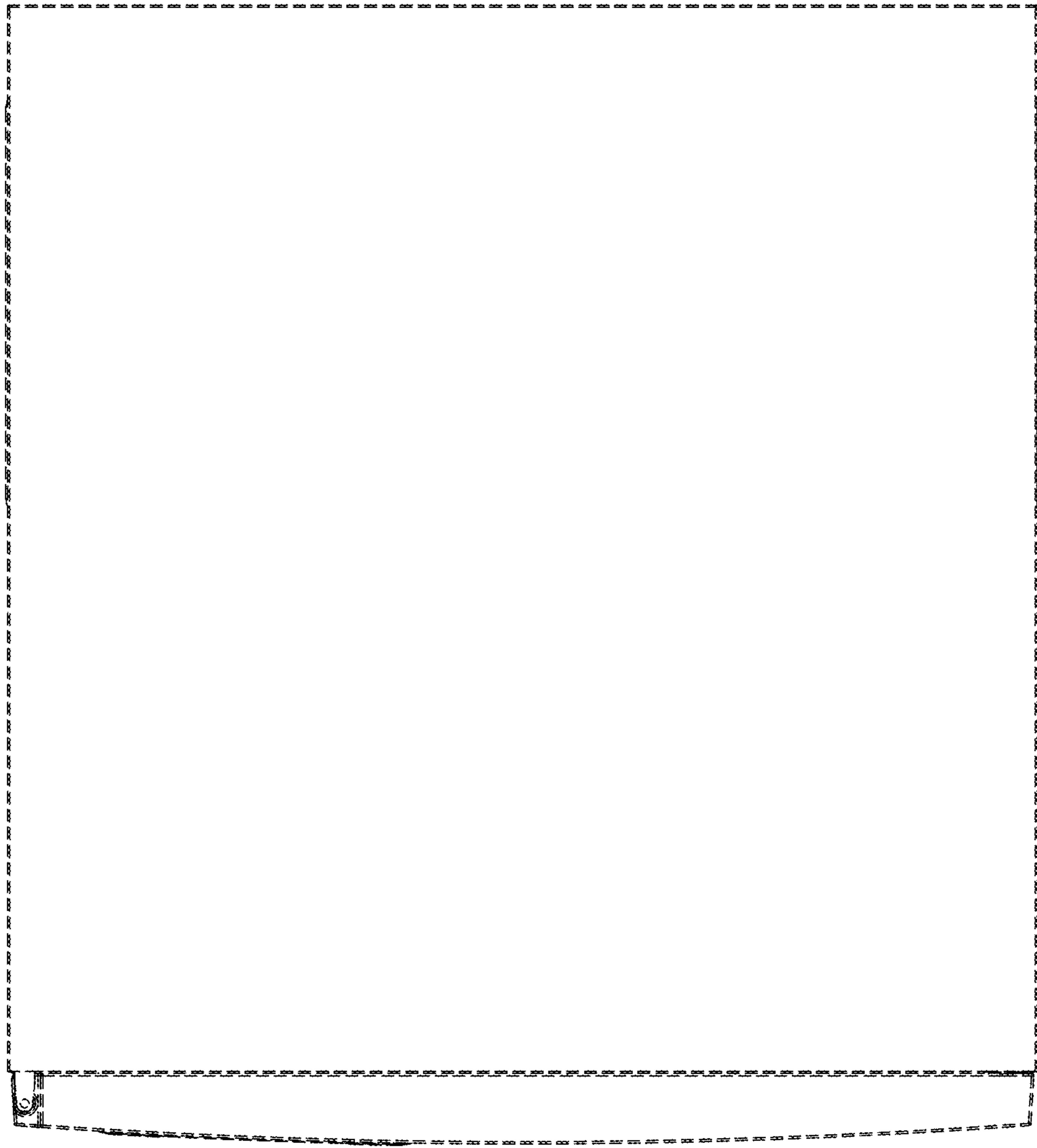


FIG. 5

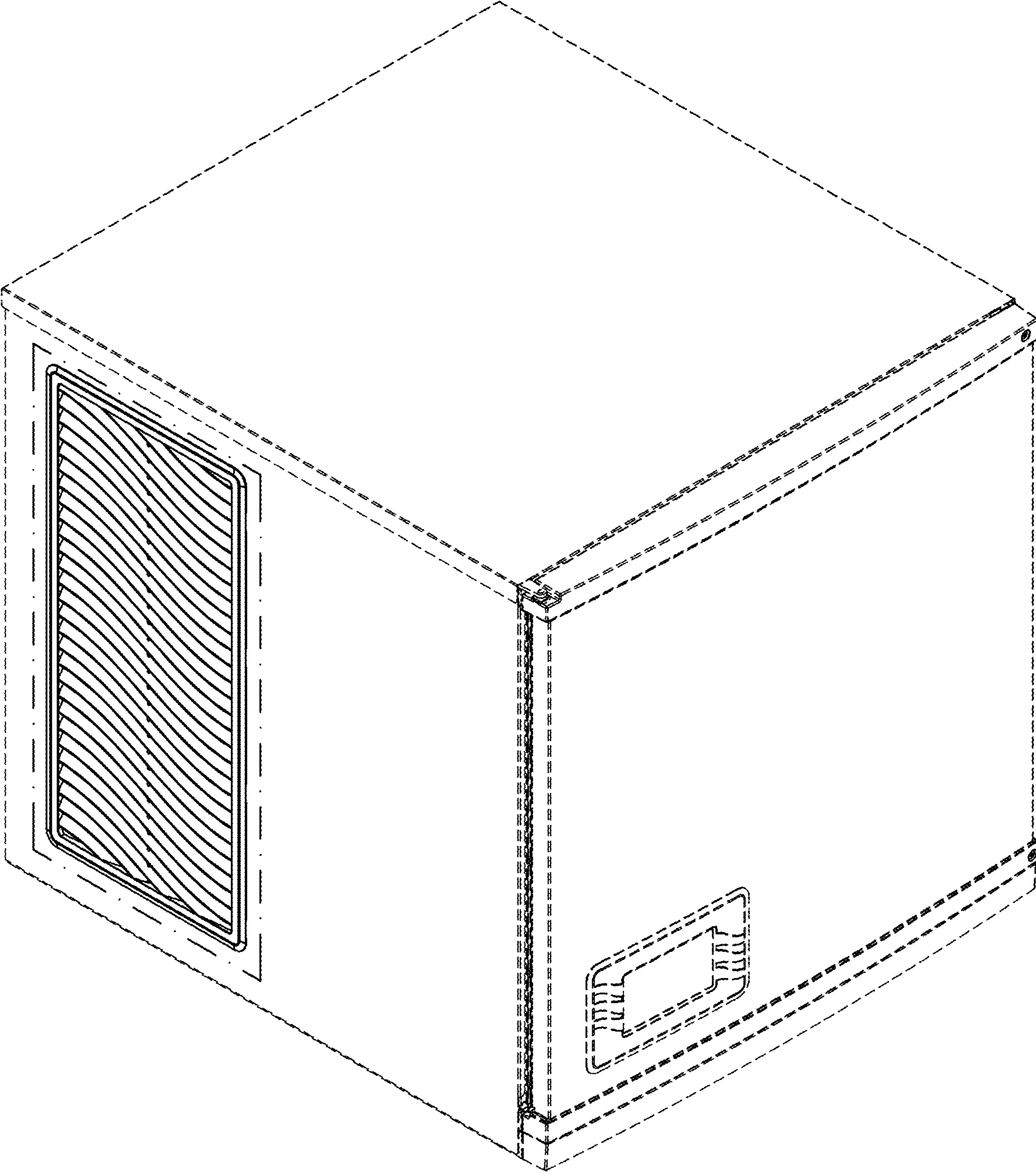


FIG. 6

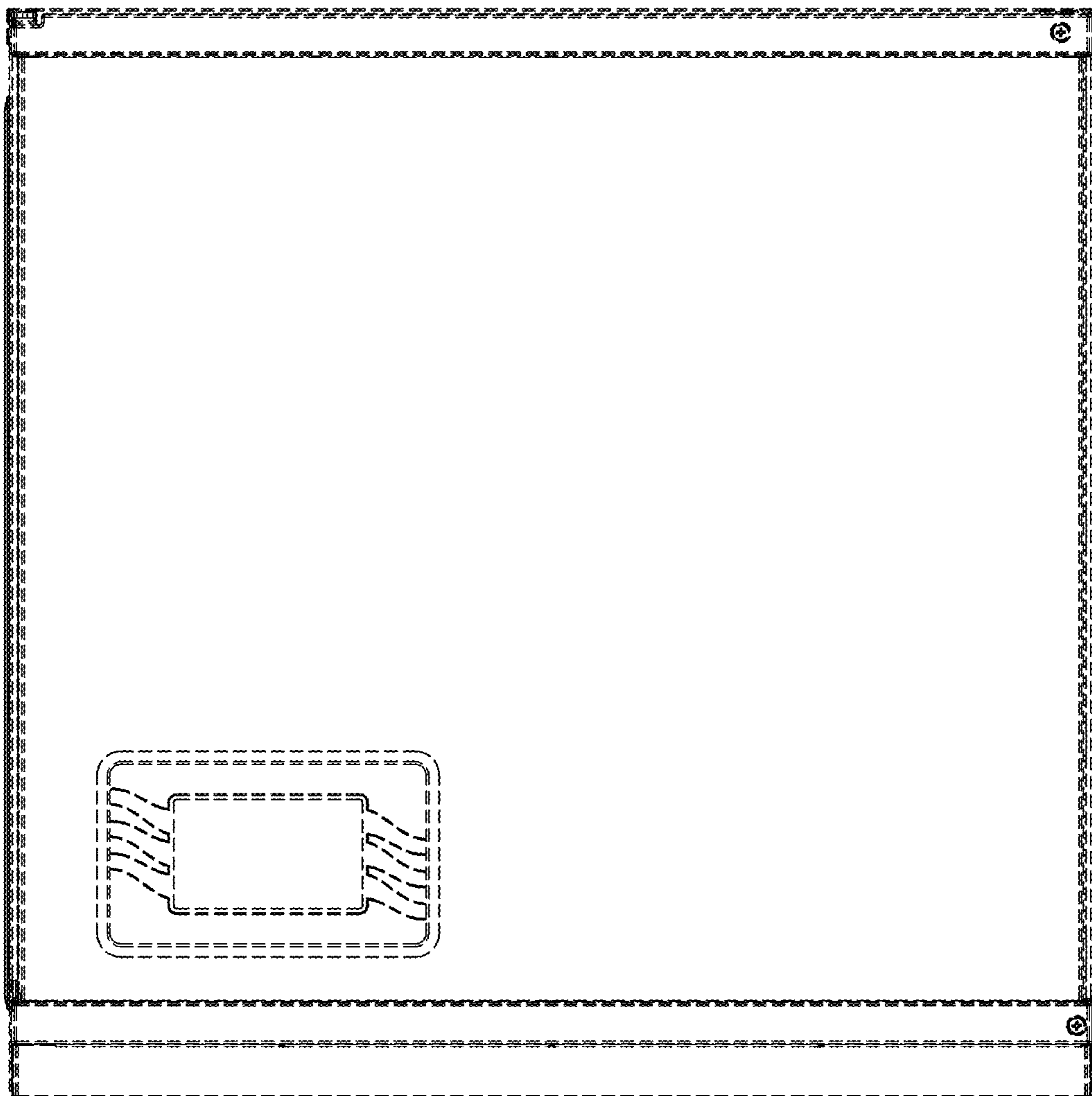




FIG. 7

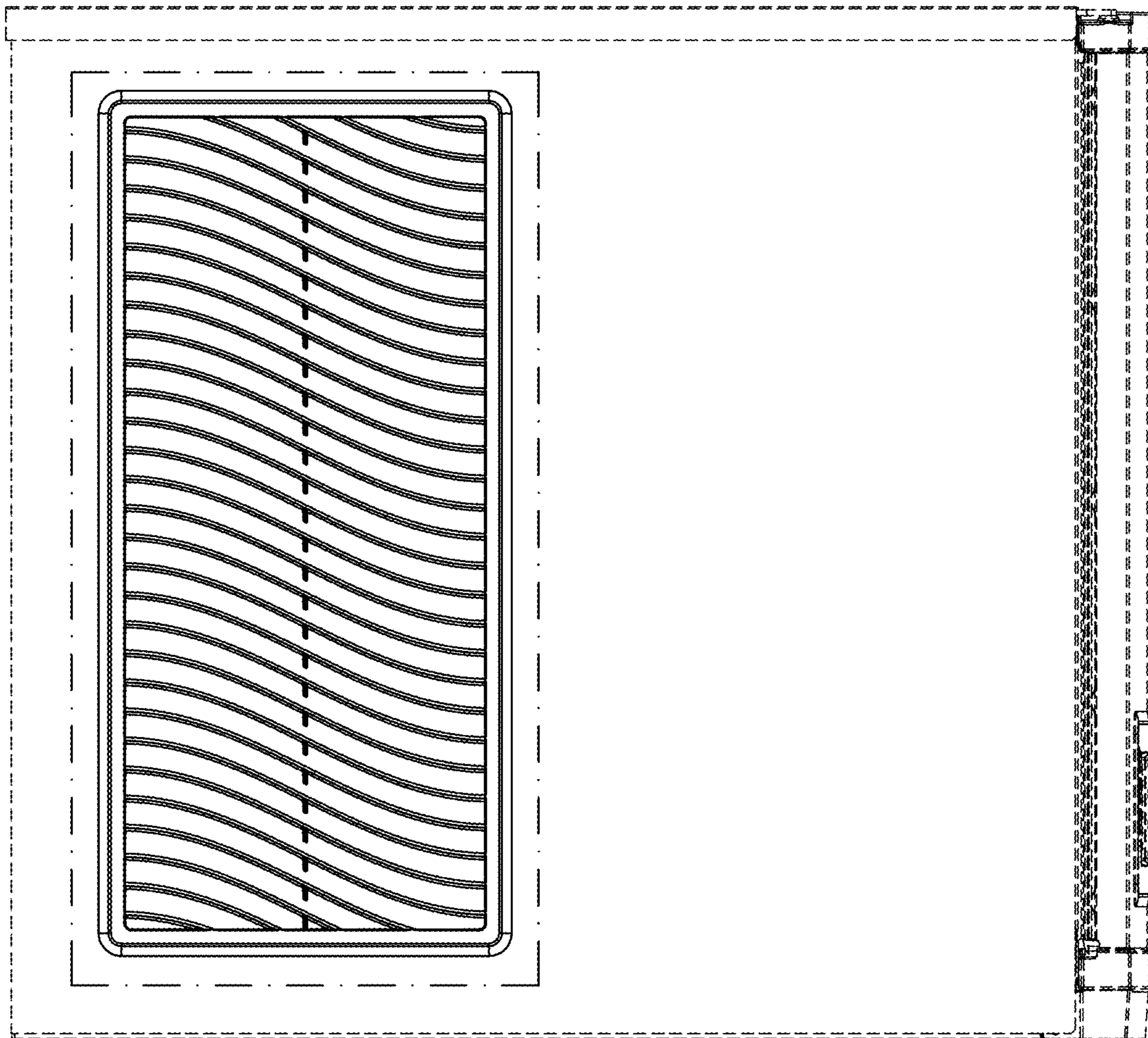


FIG. 8

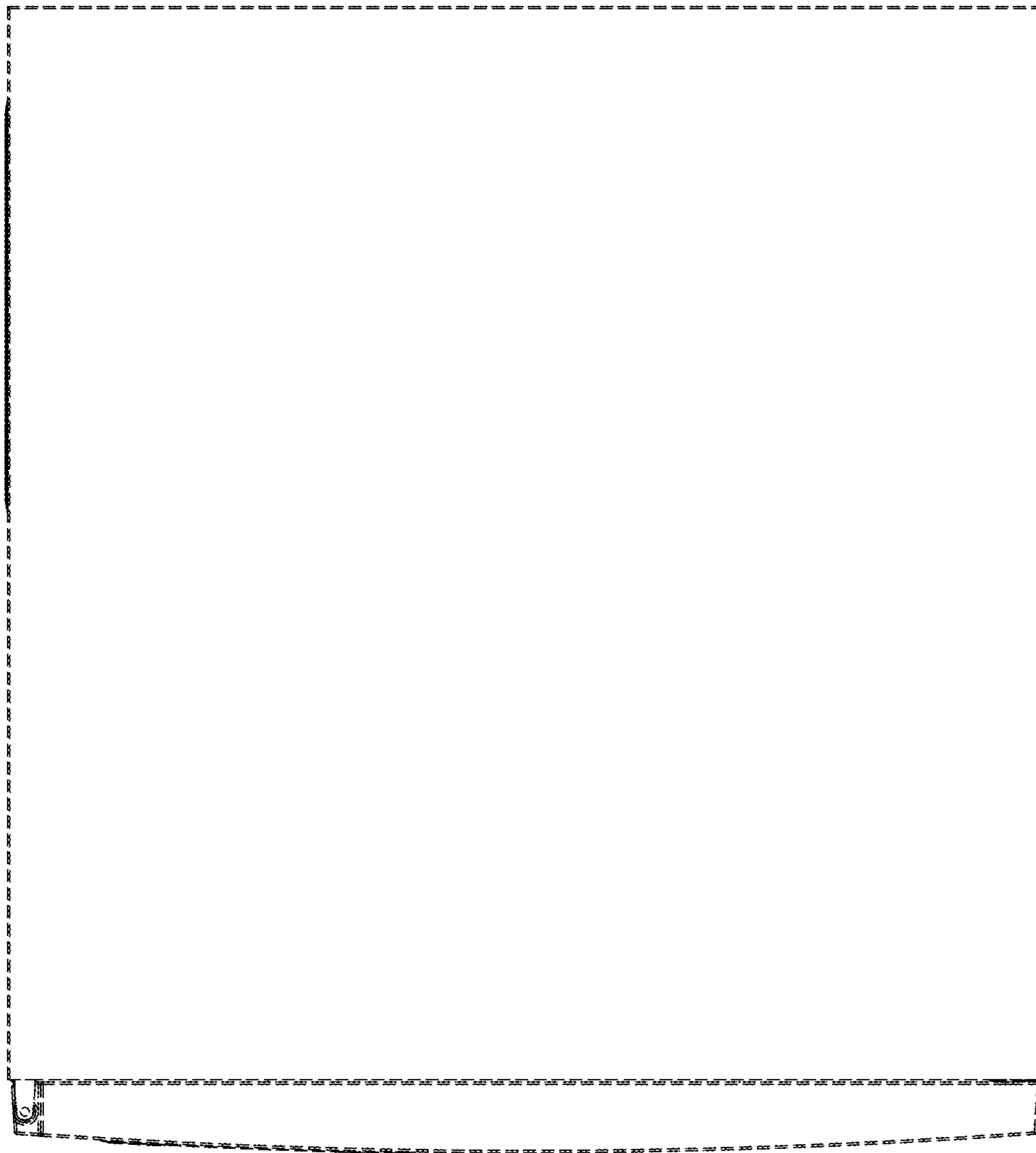


FIG. 9

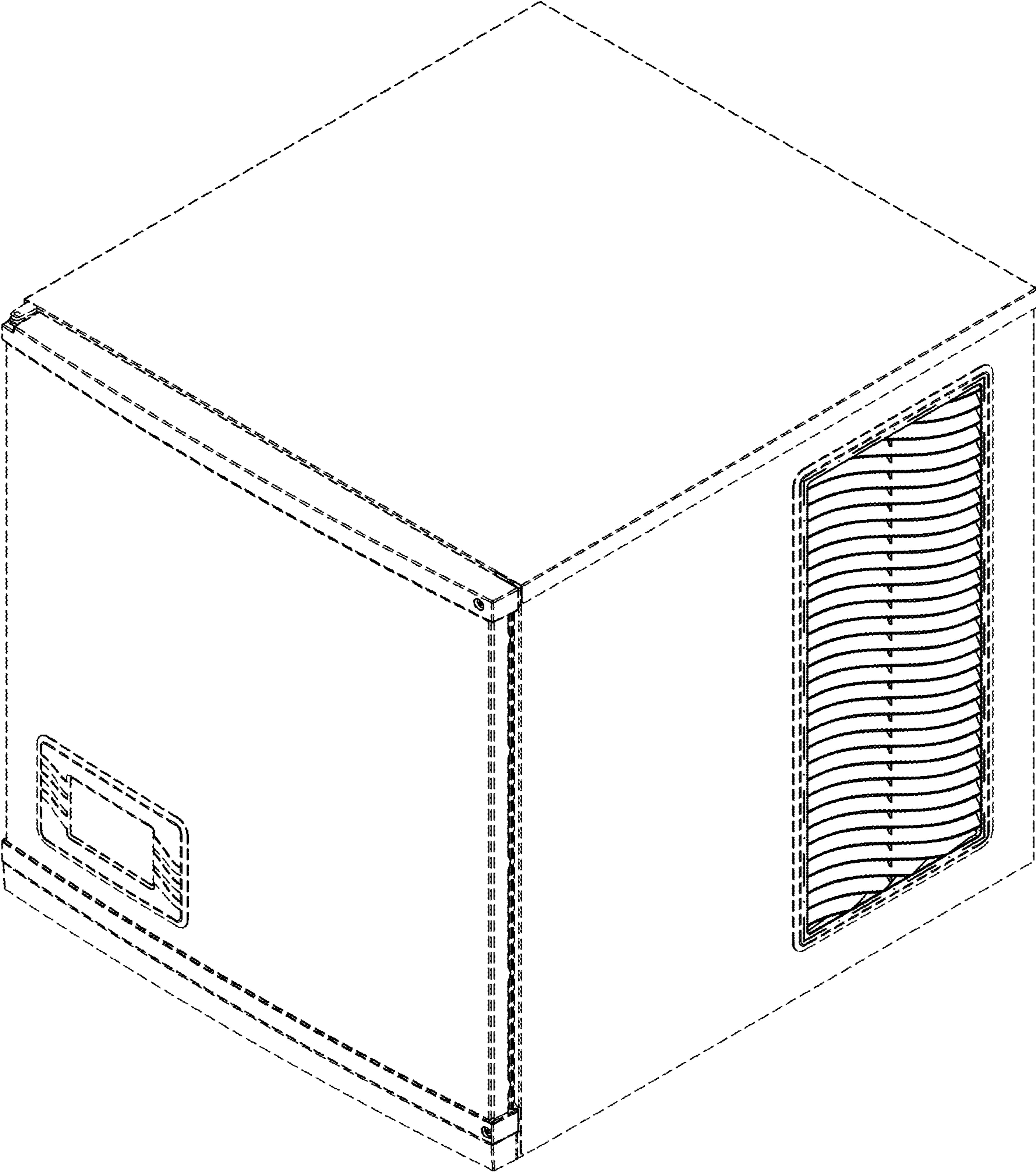


FIG. 10

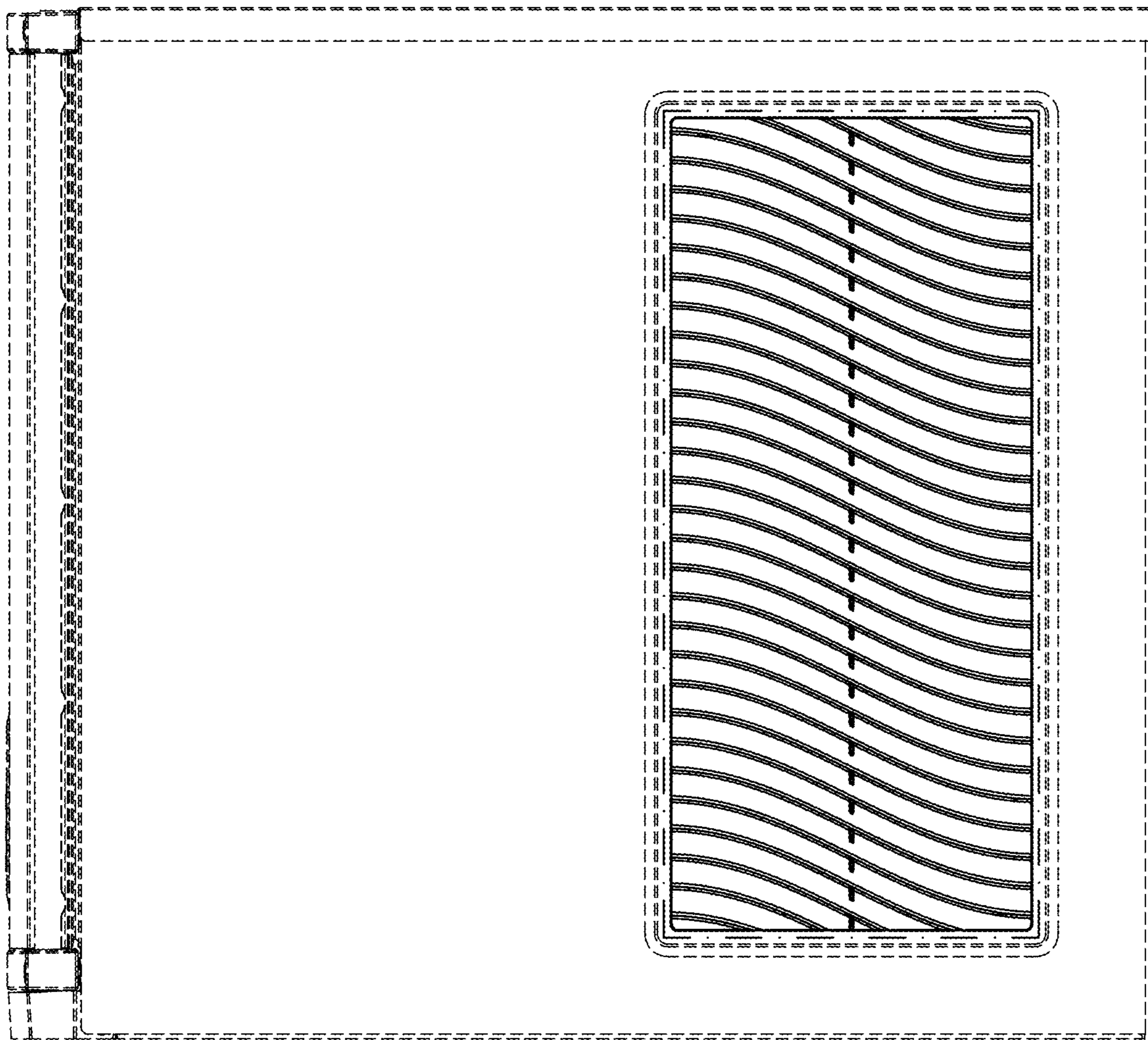




FIG. 11

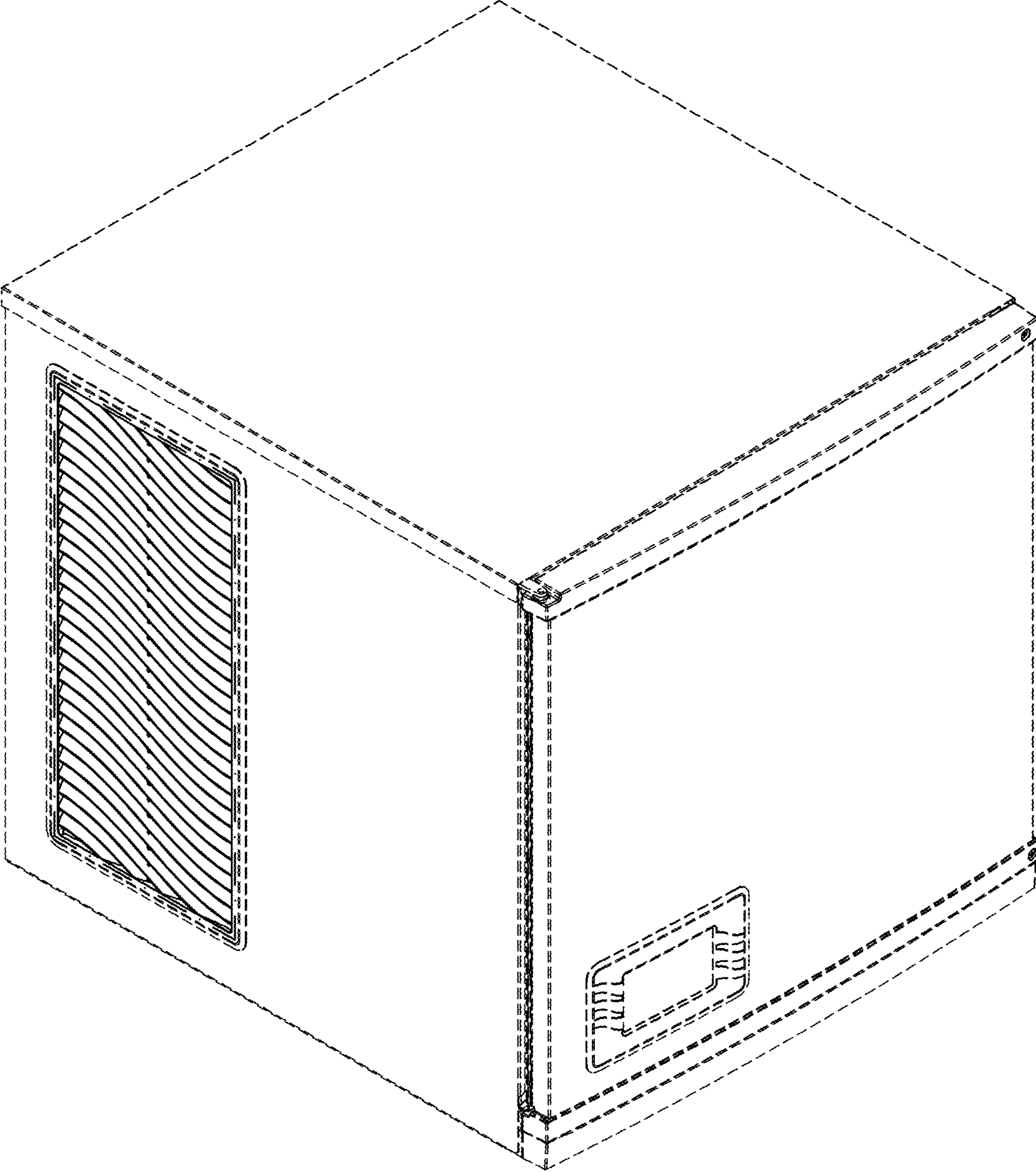


FIG. 12

