



US00D985626S

(12) **United States Design Patent**
Marchetta et al.

(10) **Patent No.:** **US D985,626 S**
(45) **Date of Patent:** **** May 9, 2023**

(54) **EXCAVATOR PART**

(71) Applicant: **GROUPE MECALAC**, Annecy (FR)

(72) Inventors: **Alexandre Marchetta**, Veyrier du Lac (FR); **Patrick Brehmer**, Annecy (FR)

(**) Term: **15 Years**

(21) Appl. No.: **35/513,752**

(22) Filed: **Oct. 28, 2021**

(80) **Hague Agreement Data**

Int. Filing Date: **Oct. 28, 2021**

Int. Reg. No.: **DM/219140**

Int. Reg. Date: **Oct. 28, 2021**

Int. Reg. Pub. Date: **Mar. 4, 2022**

(30) **Foreign Application Priority Data**

Apr. 28, 2021 (EM) 008522833-0003

(51) **LOC (14) Cl.** **12-09**

(52) **U.S. Cl.**
USPC **D15/25**

(58) **Field of Classification Search**

USPC D15/10, 22-26, 33

CPC E02F 9/2004; E02F 9/07; E02F 9/2091;

E02F 9/2246; E02F 9/2292; E02F 9/026;

E02F 9/0808; E02F 9/0833; E02F 9/0858;

E02F 9/0875; E02F 9/2045; E02F 3/627;

E02F 3/425; E02F 3/437; E02F 3/325;

E02F 3/352; E02F 3/384; E02F 3/00;

E02F 3/04; E02F 3/96; E02F 3/964;

B62D 21/186; B62D 49/06

See application file for complete search history.

(56) **References Cited**

U.S. PATENT DOCUMENTS

D364,408 S * 11/1995 Bryant D15/25

D416,266 S * 11/1999 Del Torchio D15/25

D523,027 S * 6/2006 Yamashita D15/23

D529,932 S * 10/2006 Yamashita D15/25

D549,738 S * 8/2007 Hiraoka D15/25

D628,599 S * 12/2010 Major D15/25

D629,017 S * 12/2010 Major D15/25

(Continued)

Primary Examiner — Mark A Goodwin

(57) **CLAIM**

The ornamental design for an excavator part, as shown and described.

DESCRIPTION

The patent or application file contains at least one drawing executed in color. Copies of this patent or patent application publication with color drawing(s) will be provided by the Office upon request and payment of the necessary fee.

Figure 1.1 is a left rear perspective view of an excavator part showing our new design.

Figure 1.2 is a right rear perspective view of an excavator part.

Figure 1.3 is a left front perspective view of an excavator part.

Figure 1.4 is a right front perspective view of an excavator part.

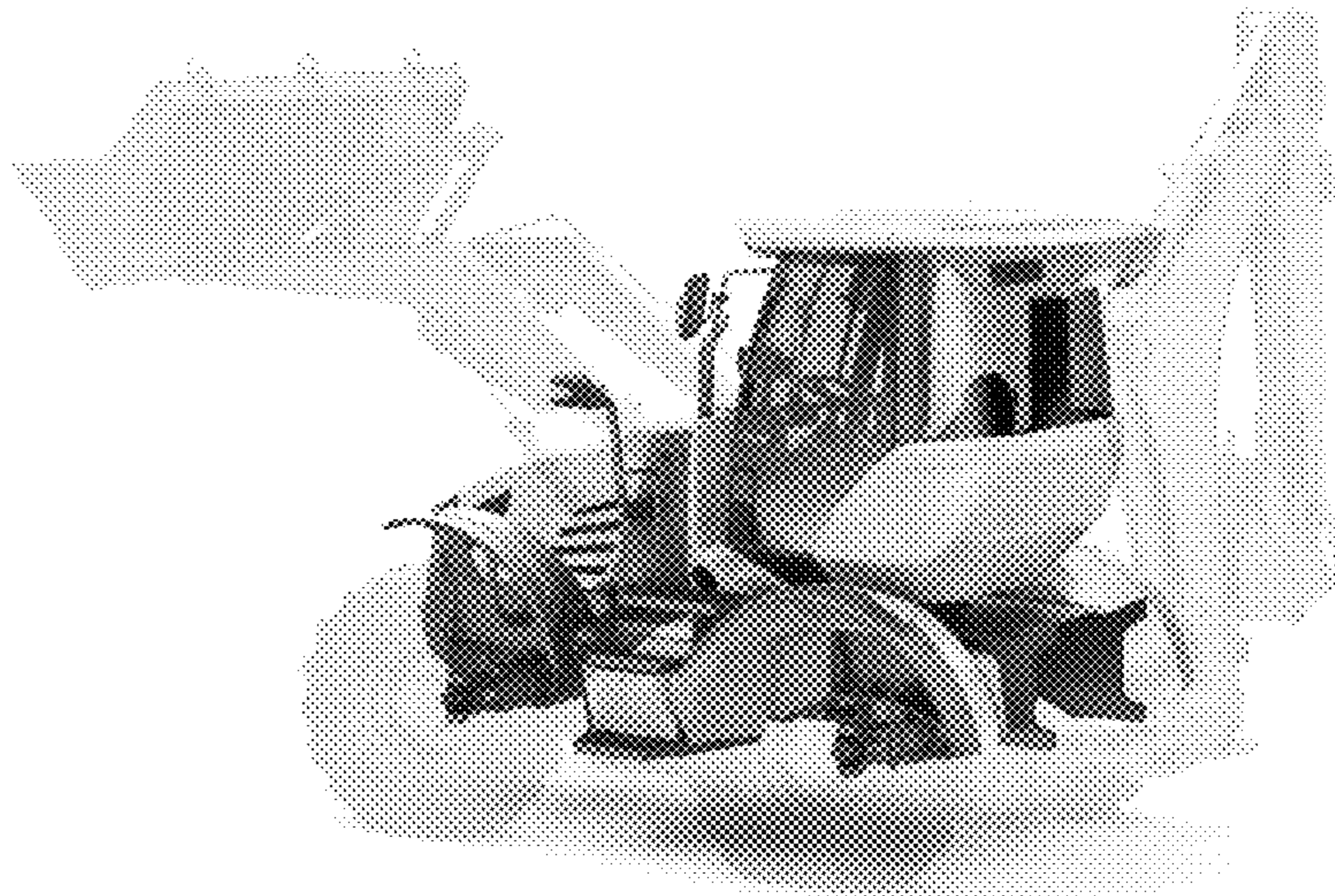
Figure 1.5 is a top view of an excavator part.

Figure 1.6 is a left side view of an excavator part.

The very lightly shaded portions of the claim consisting of: the four wheels, front bucket and arm assembly, and the rear swing arm and bucket assembly form no part of the claimed design. The shadow cast at the bottom of the figures forms no part of the claimed design.

The areas of the claim consisting of the cab, hood, and body of the excavator portion shown in full color with black and white areas shown in full values represent the claimed design. It is understood that there is a slight color variation that occurs where the unclaimed areas overlap the claimed portion of the design. This variation simply shows unclaimed portions in an environmental setting and does not alter the claimed areas.

1 Claim, 6 Drawing Sheets
(6 of 6 Drawing Sheet(s) Filed in Color)



(56)

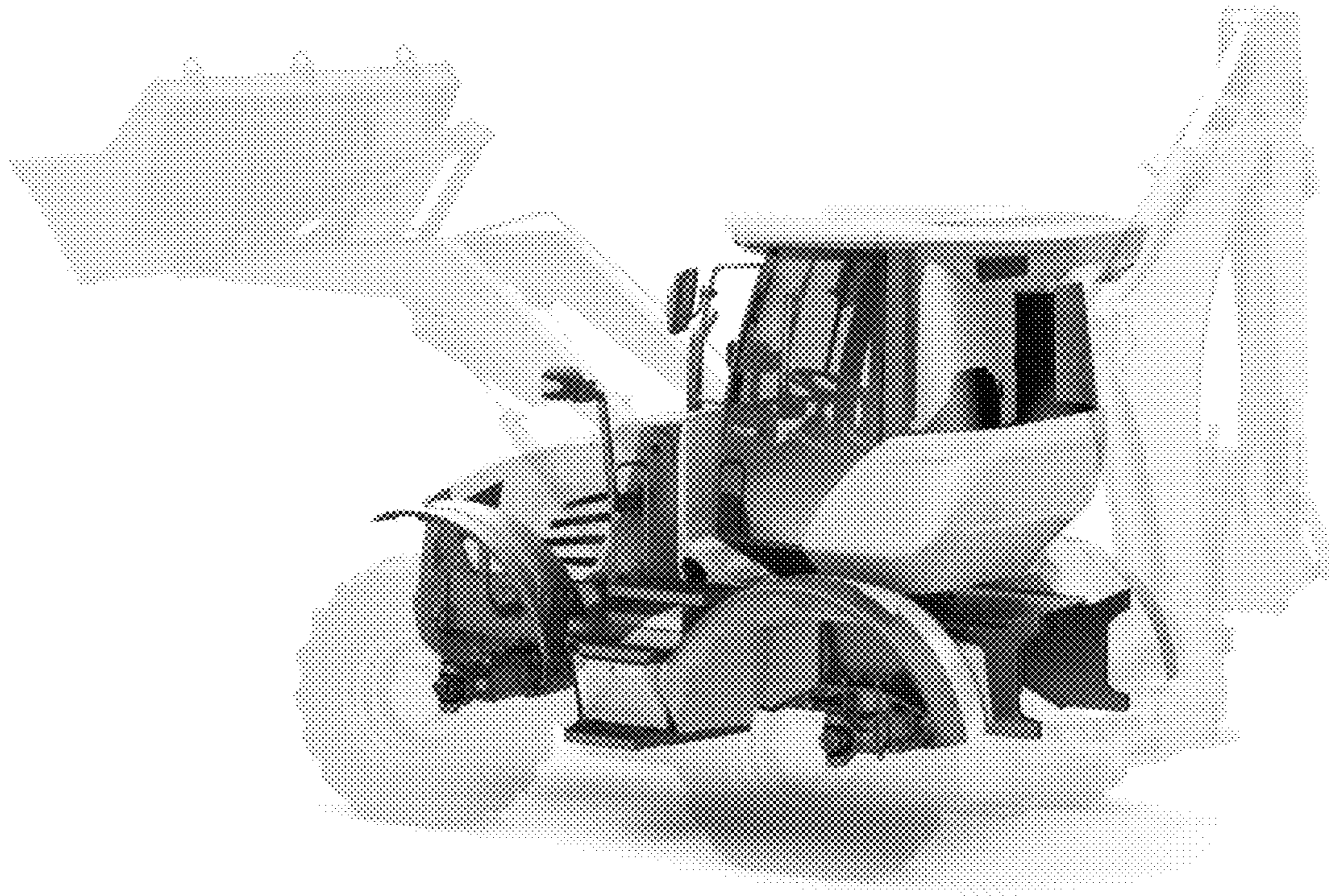
References Cited

U.S. PATENT DOCUMENTS

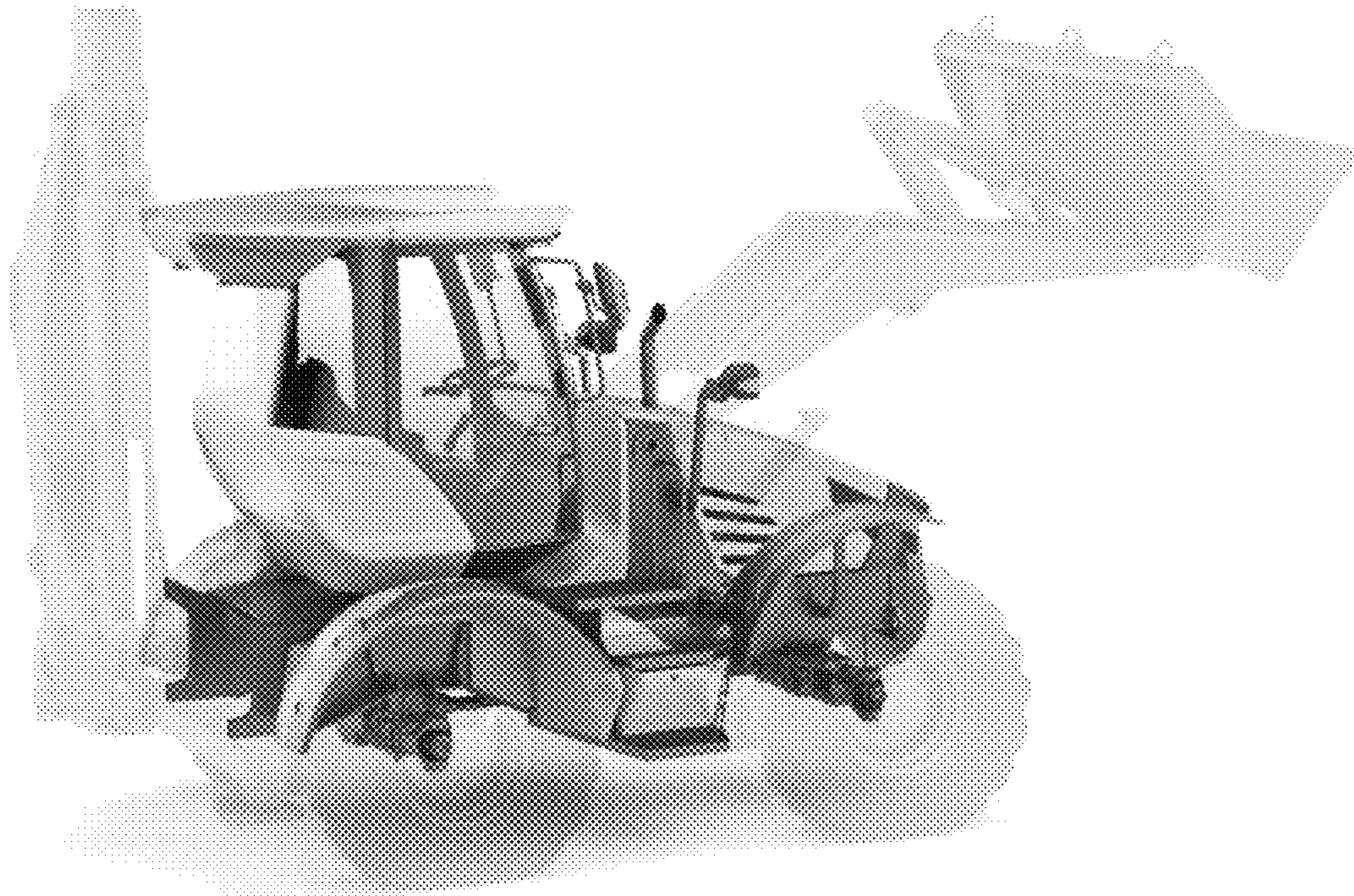
D728,631 S	*	5/2015	Richard	D15/25
D802,027 S	*	11/2017	Underhill	D15/25
D849,061 S	*	5/2019	Underhill	D15/25
D909,423 S	*	2/2021	Zhao	D15/25
D912,101 S	*	3/2021	Pastier	D15/25
D949,207 S	*	4/2022	Zhao	D15/25
D960,937 S	*	8/2022	Lee	D15/25

* cited by examiner

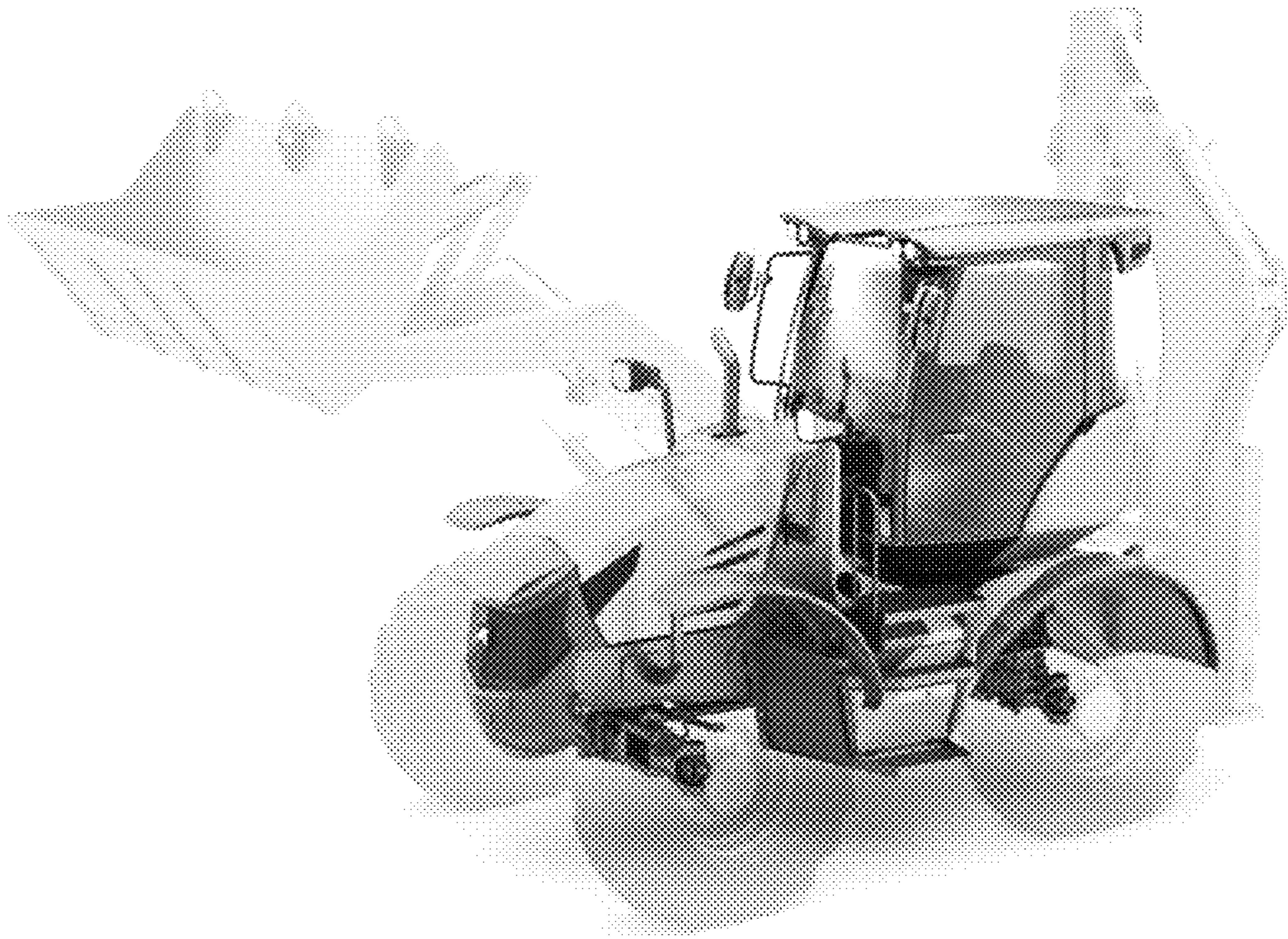
1.1



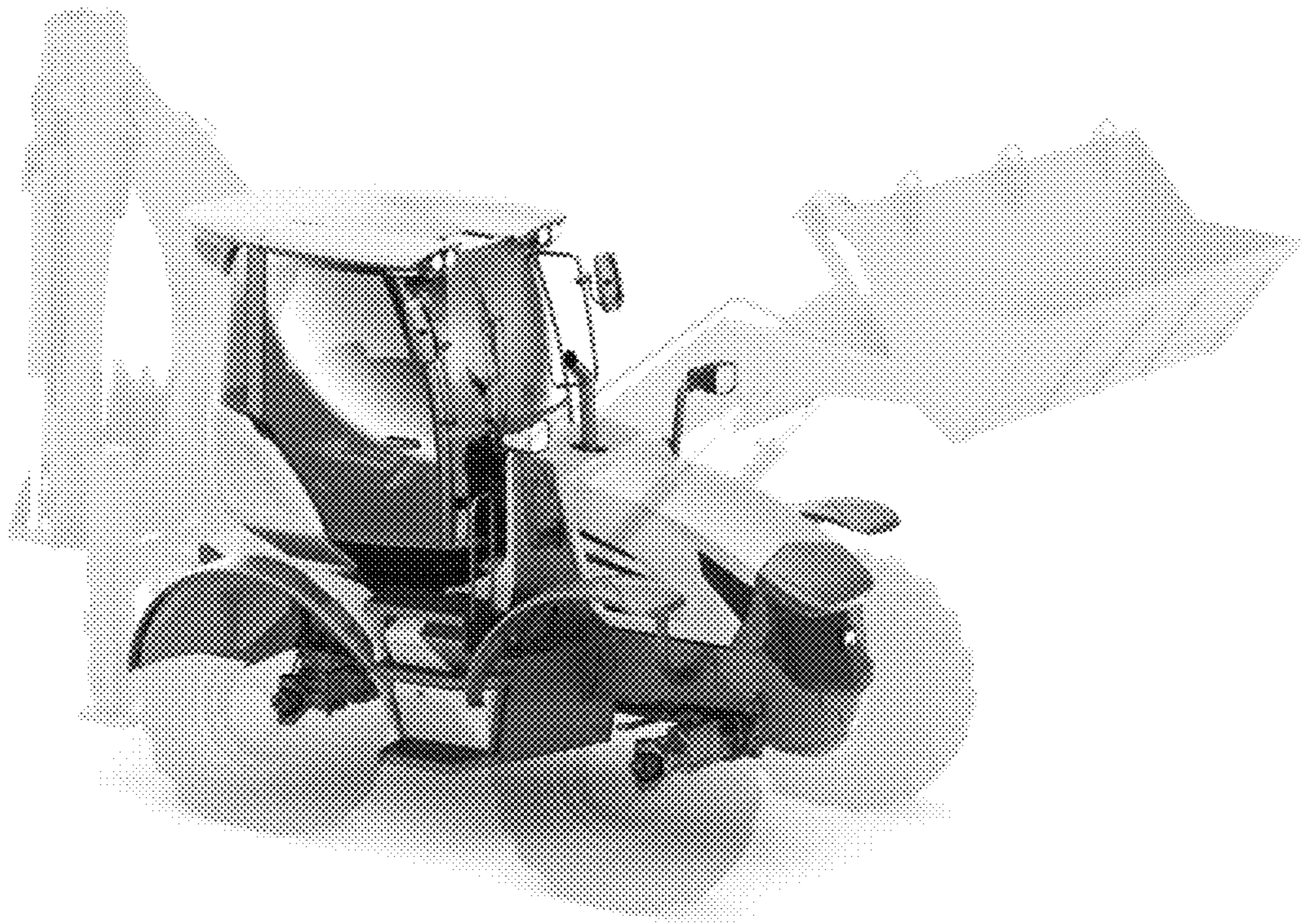
1.2



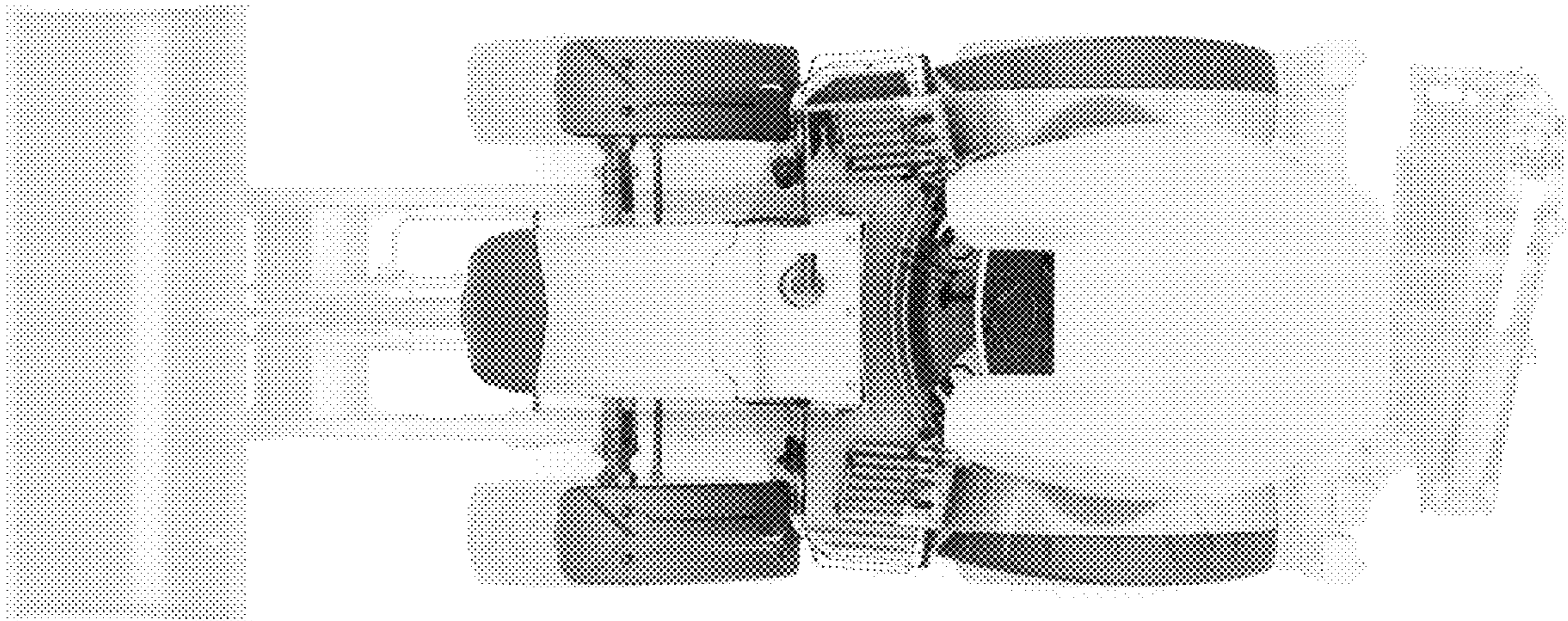
1.3



1.4



1.5



1.6

