



US00D985623S

(12) **United States Design Patent** (10) **Patent No.:** **US D985,623 S**
Chou et al. (45) **Date of Patent:** **** May 9, 2023**

(54) **AIR COMPRESSOR**
(71) Applicants: **Wen-San Chou**, Tainan (TW);
Cheng-Hsien Chou, Tainan (TW)
(72) Inventors: **Wen-San Chou**, Tainan (TW);
Cheng-Hsien Chou, Tainan (TW)
(**) Term: **15 Years**

(21) Appl. No.: **29/802,201**
(22) Filed: **Aug. 3, 2021**

(30) **Foreign Application Priority Data**

Feb. 5, 2021 (TW) 110300721

(51) **LOC (14) Cl.** **15-02**
(52) **U.S. Cl.**
USPC **D15/9**
(58) **Field of Classification Search**
USPC D15/7, 8, 9; D23/231
CPC F04B 53/10; F04B 43/00; F04B 49/00;
F04B 39/00; F04B 39/12; F04B 41/02;
F04B 1/005; F17C 1/00
See application file for complete search history.

(56) **References Cited**

U.S. PATENT DOCUMENTS

D374,237 S * 10/1996 Wang D15/7
D398,011 S * 9/1998 Wang D15/9
D470,865 S * 2/2003 Wang D15/9
D471,209 S * 3/2003 Wang D15/9
D498,243 S * 11/2004 Chou D15/7
D498,767 S * 11/2004 Chou D15/7
D498,769 S * 11/2004 Chou D15/9
D499,426 S * 12/2004 Chou D15/7
D514,127 S * 1/2006 Christianson D15/9
D515,103 S * 2/2006 Chou D15/9
D533,879 S * 12/2006 Chen D15/7
D582,945 S * 12/2008 Chou D15/9

D672,368 S * 12/2012 Wong D15/9
D678,351 S * 3/2013 Wong D15/9
D722,618 S * 2/2015 Wong D15/9
D723,588 S * 3/2015 Wang D15/9
D727,972 S * 4/2015 Jhou D15/9
D727,973 S * 4/2015 Jhou D15/9
D734,367 S * 7/2015 Jhou D15/9
D754,209 S * 4/2016 Chou D15/7
D866,605 S * 11/2019 Chou D15/9
D866,606 S * 11/2019 Chou D15/9
D907,066 S * 1/2021 Esses D15/7
D911,936 S * 3/2021 Miller H02J 1/122
D15/9
D935,488 S * 11/2021 Wang D15/7
2008/0152518 A1 * 6/2008 Stilwell F04B 41/02
417/423.14
2013/0284312 A1 * 10/2013 Chou F16K 15/20
141/38

(Continued)

Primary Examiner — Calvin E Vansant
Assistant Examiner — Eidiol Ghigliotty Torre
(74) *Attorney, Agent, or Firm* — JCIPRNET

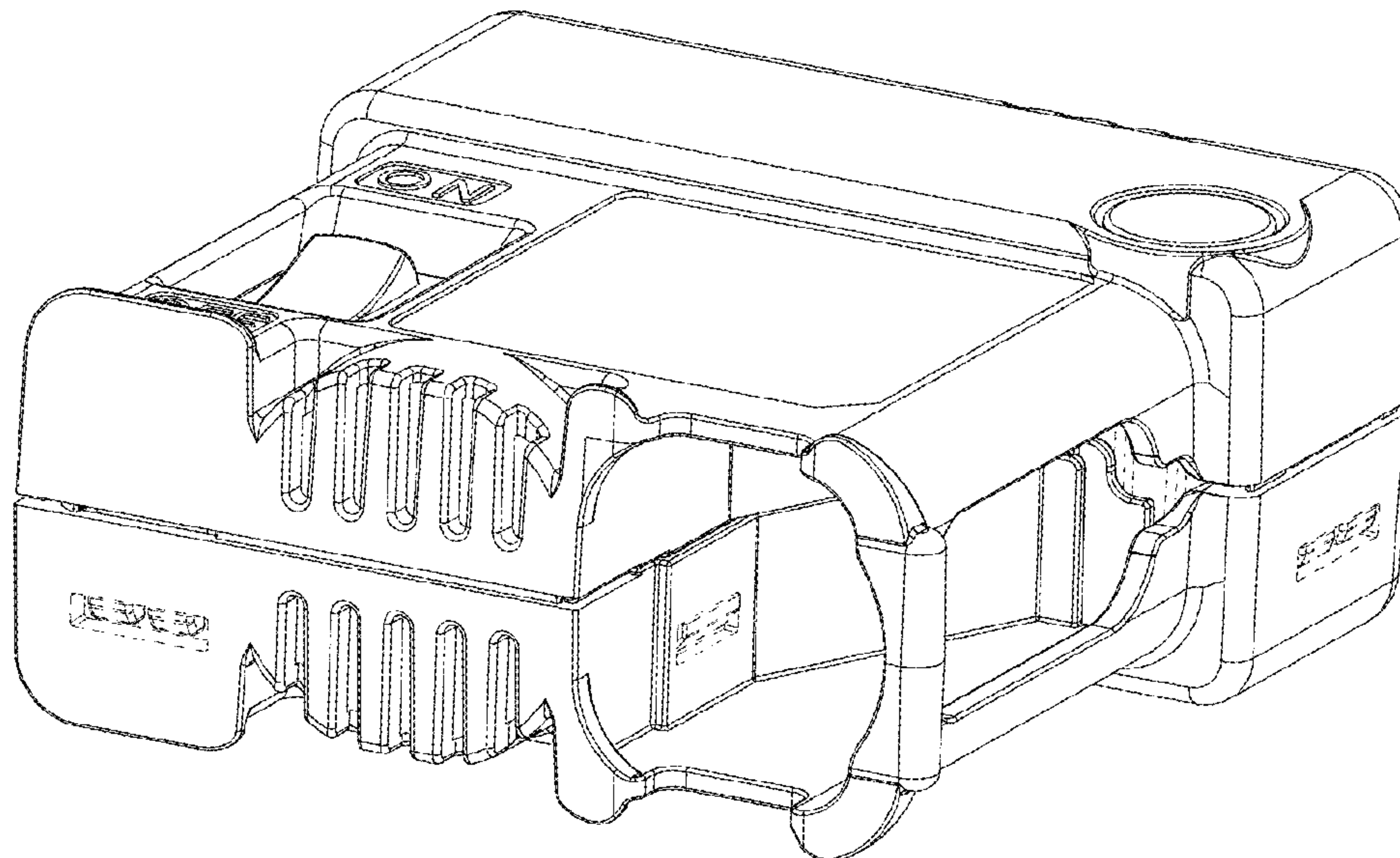
(57) **CLAIM**

The ornamental design for an air compressor, as shown and described.

DESCRIPTION

FIG. 1 is a first perspective view of an air compressor showing my new design thereof;
FIG. 2 is a front elevational view thereof;
FIG. 3 is a rear elevational view thereof;
FIG. 4 is a left side elevational view thereof;
FIG. 5 is a right side elevational view thereof;
FIG. 6 is a top plan view thereof;
FIG. 7 is a bottom plan view thereof; and,
FIG. 8 is a second perspective view of an air compressor showing my new design thereof.
The broken lines depict portions of the air compressor that form no part of the claimed design.

1 Claim, 8 Drawing Sheets



(56)

References Cited

U.S. PATENT DOCUMENTS

2015/0377230 A1* 12/2015 Chou F04B 39/066
417/415
2016/0311411 A1* 10/2016 Chou F04B 35/04
2019/0162176 A1* 5/2019 Chou B25B 27/02
2019/0193349 A1* 6/2019 Chou B60S 5/04
2019/0353152 A1* 11/2019 Chou F04B 39/12
2020/0376908 A1* 12/2020 Chou F16L 19/005
2021/0016616 A1* 1/2021 Chou B60S 5/043
2021/0086571 A1* 3/2021 Chou B60S 5/043

* cited by examiner

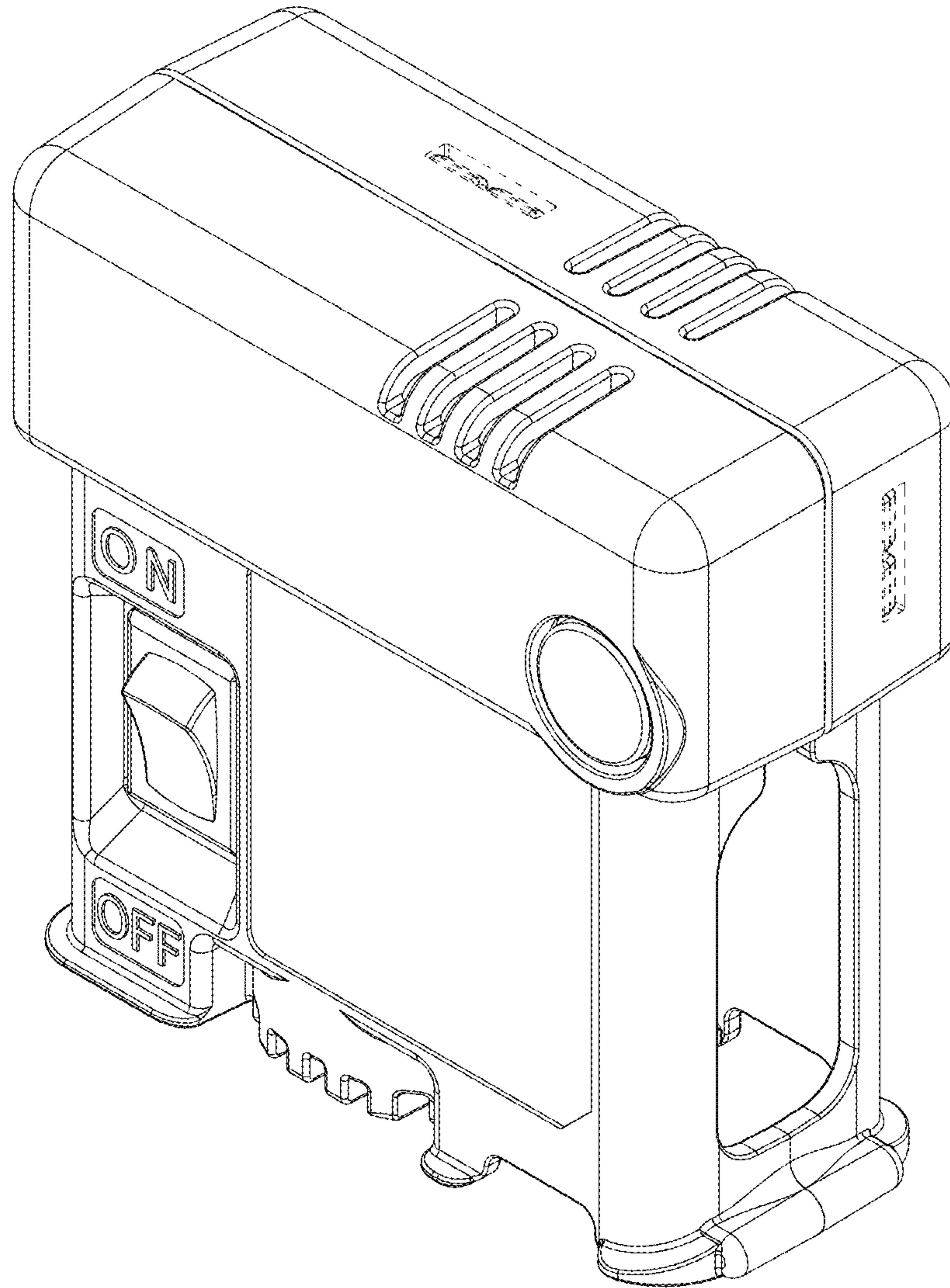


FIG. 1

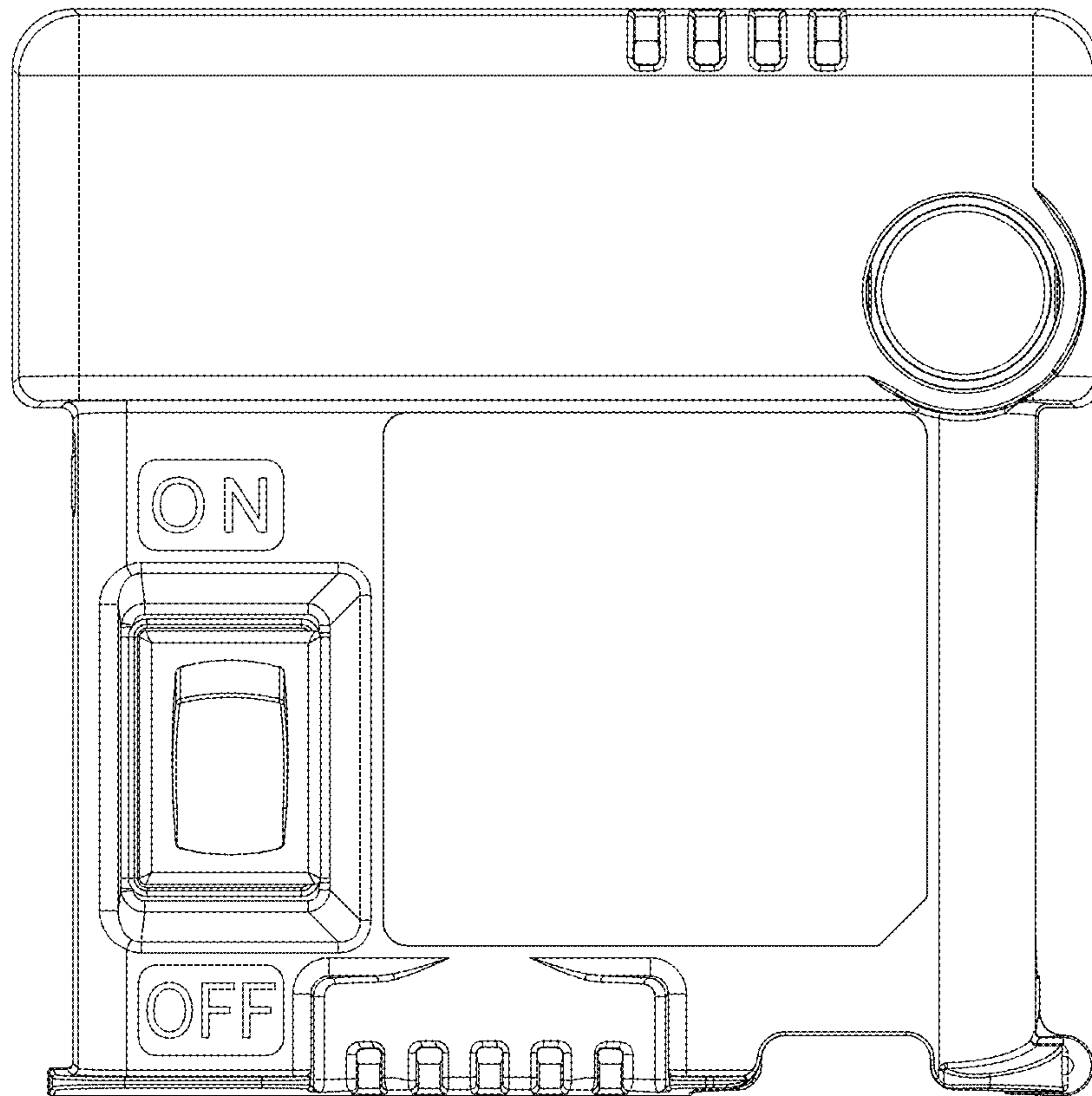


FIG. 2

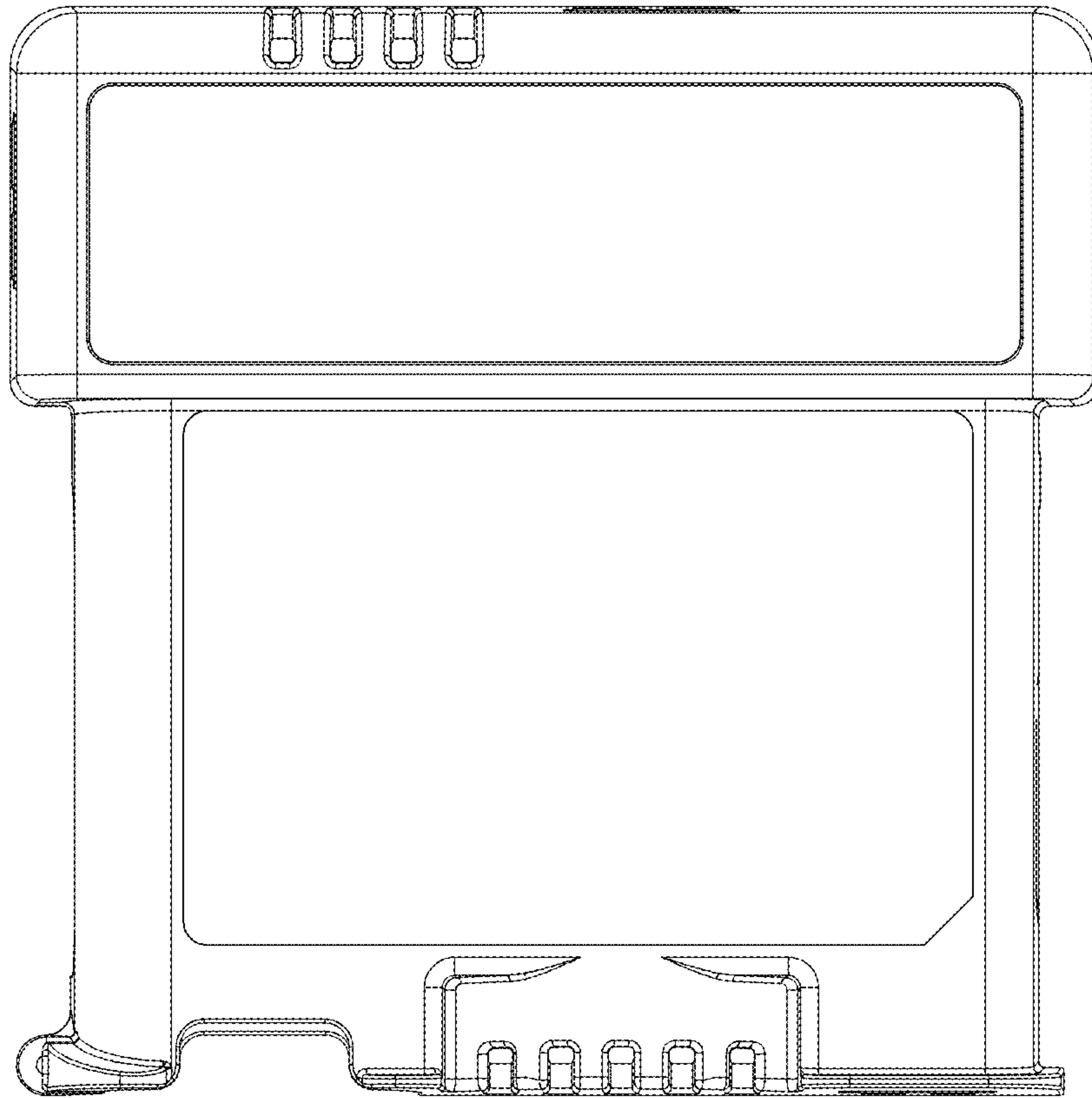


FIG. 3

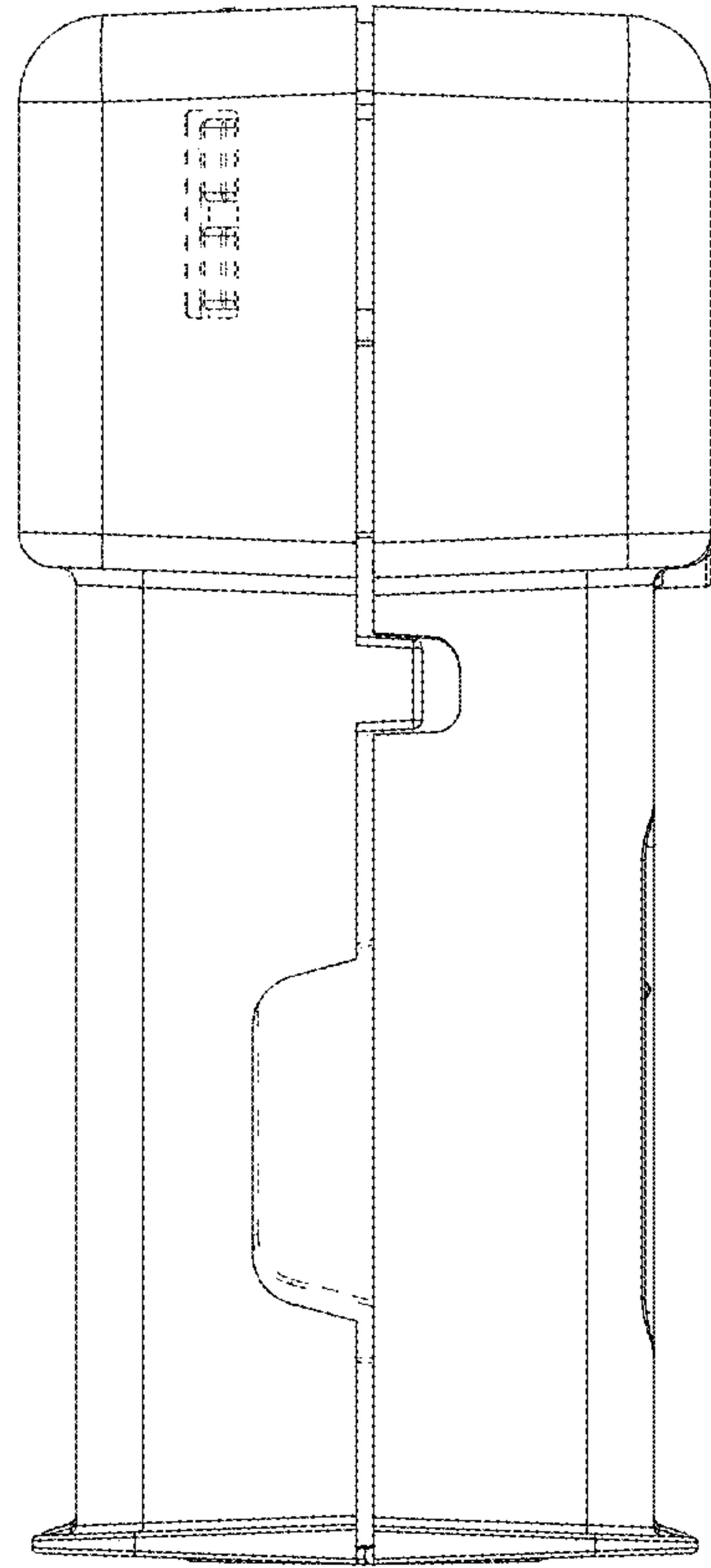


FIG. 4

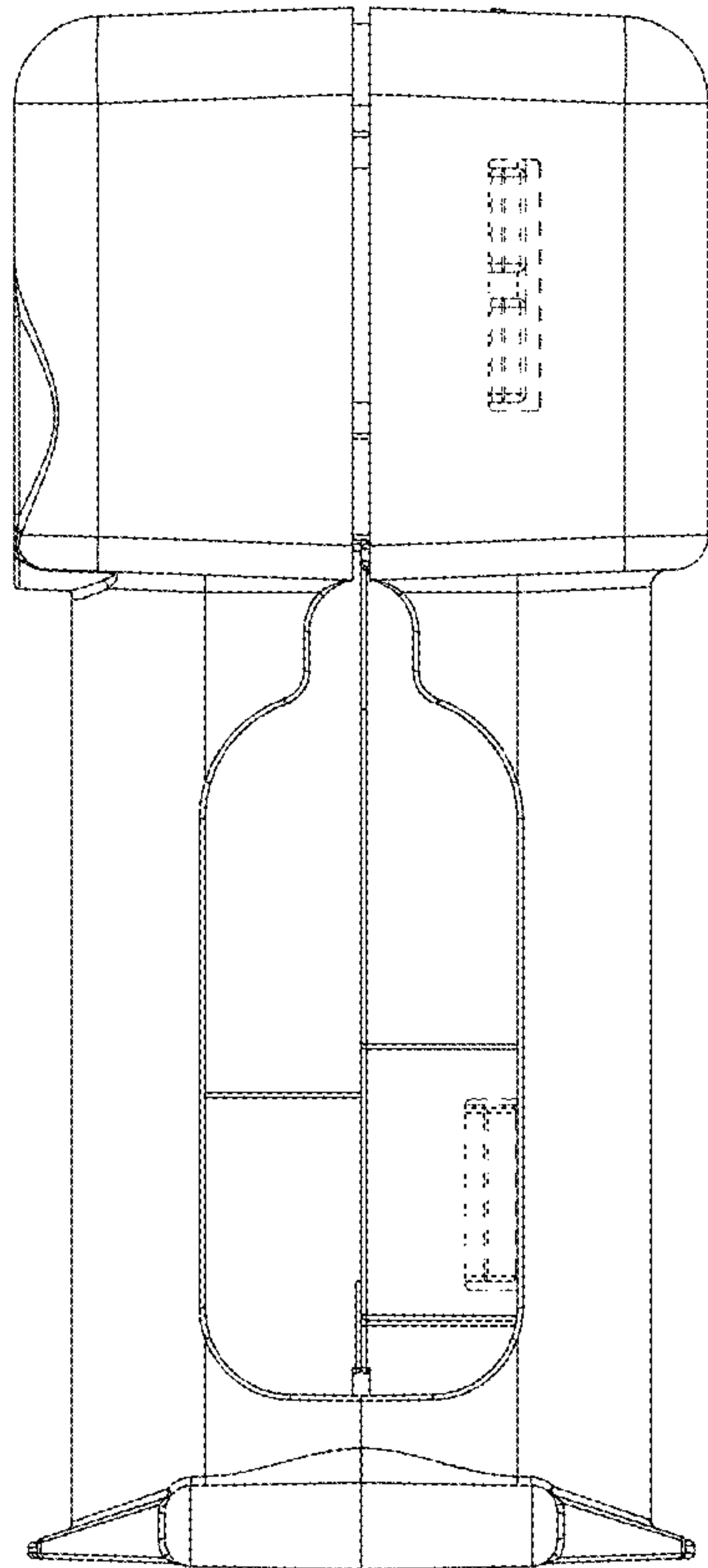


FIG. 5

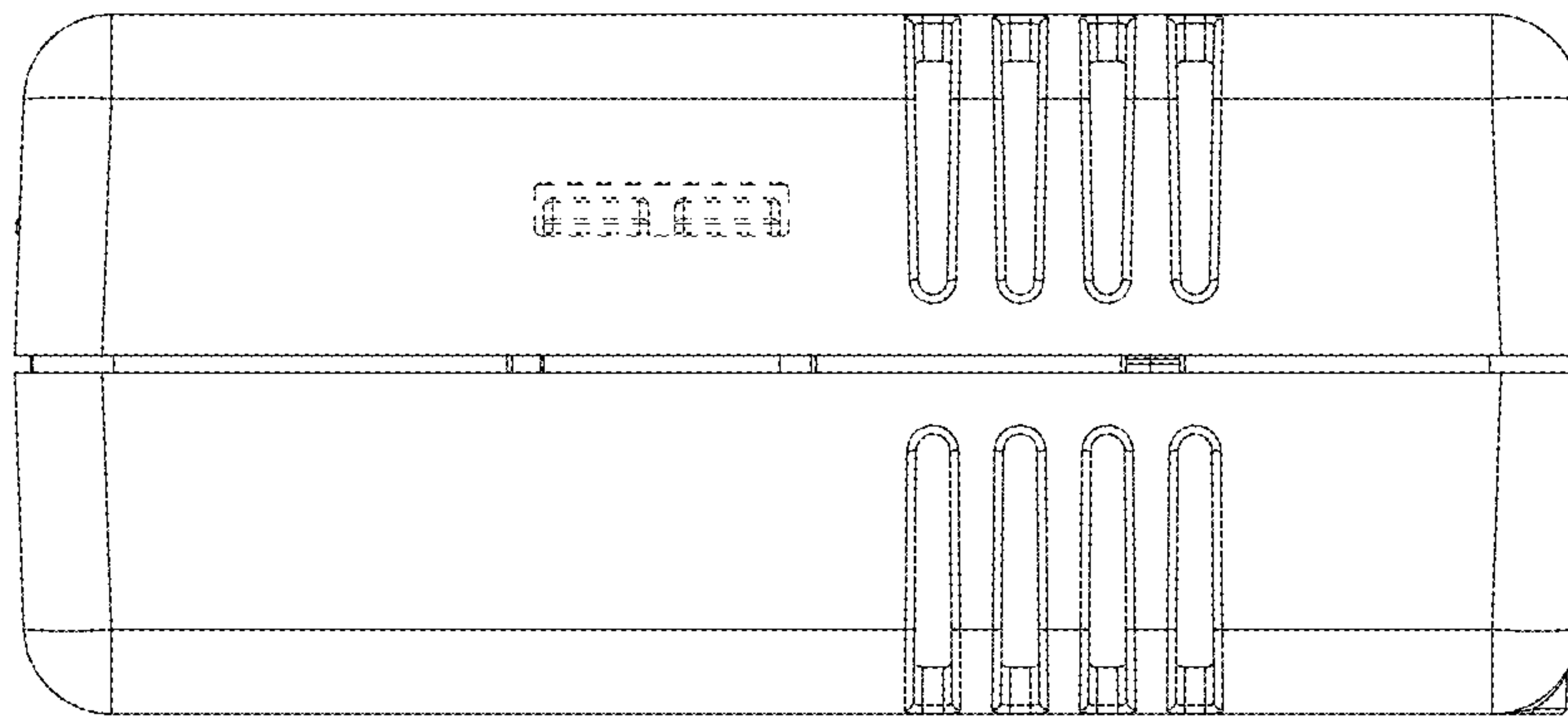


FIG. 6

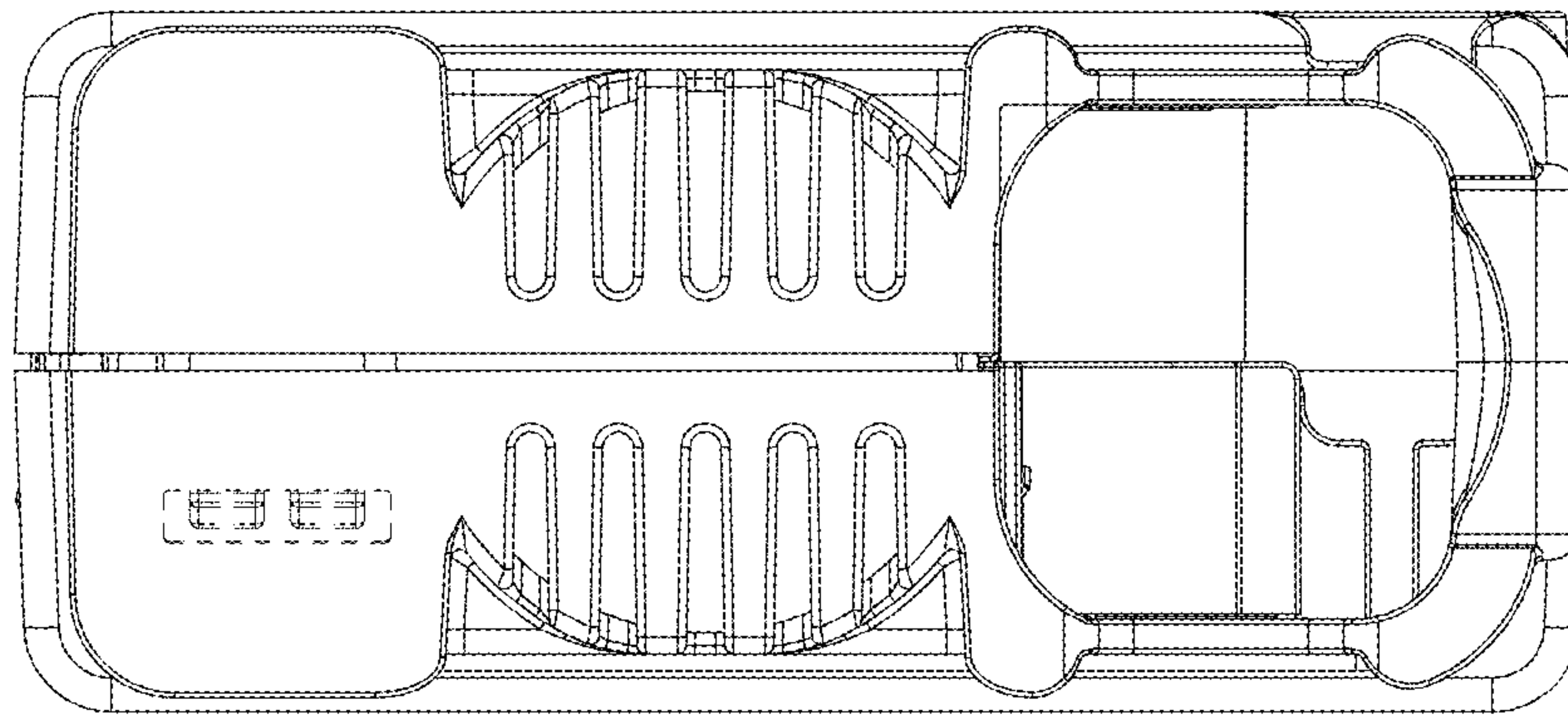


FIG. 7

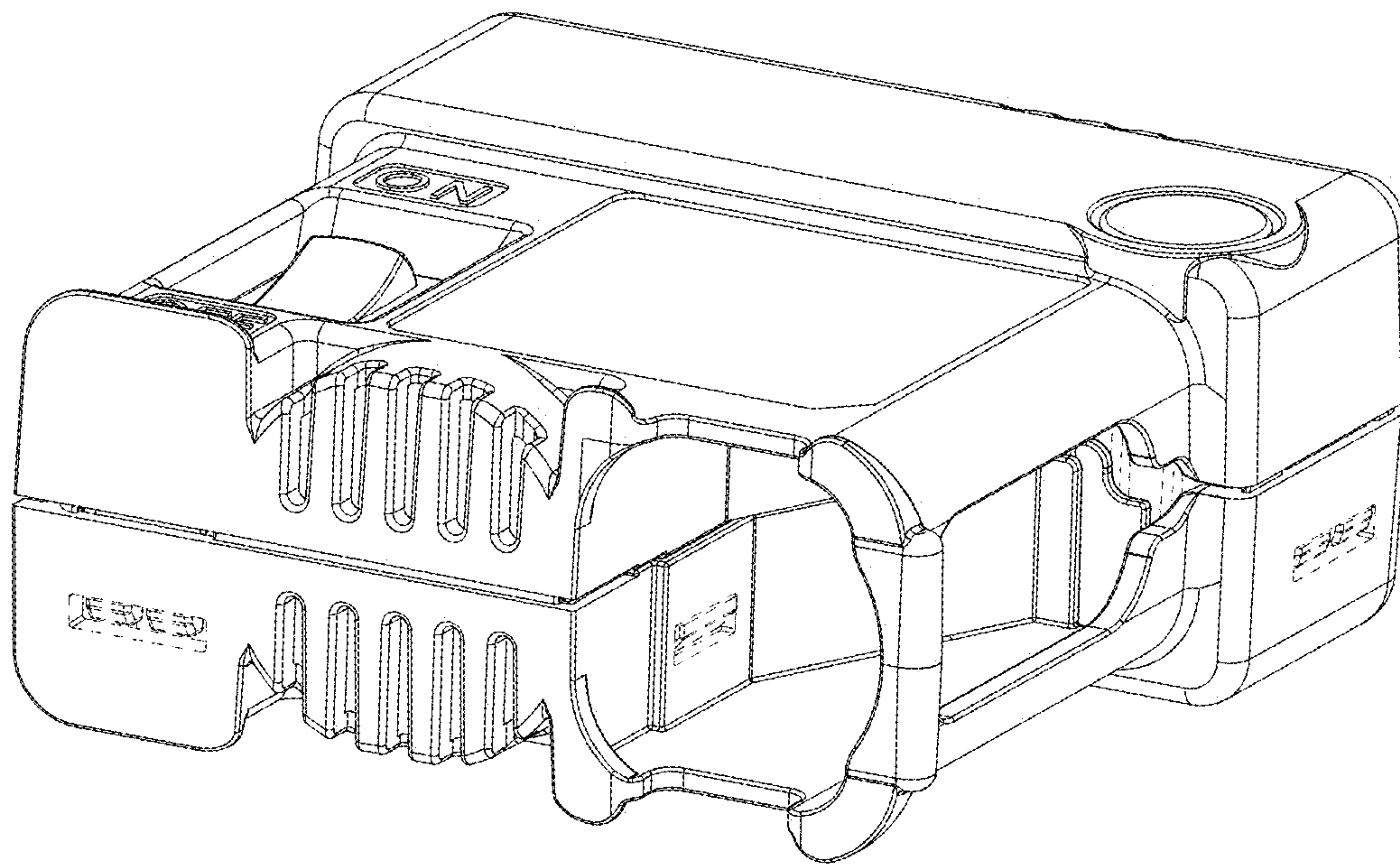


FIG. 8