



US00D985621S

(12) **United States Design Patent** (10) **Patent No.:** **US D985,621 S**
Alexander et al. (45) **Date of Patent:** **** May 9, 2023**

(54) **MANIFOLD**

(71) Applicant: **Holley Performance Products, Inc.**,
Bowling Green, KY (US)

(72) Inventors: **Colin R. Alexander**, Bowling Green,
KY (US); **James D. Dralle**, Bowling
Green, KY (US)

(73) Assignee: **Holley Performance Products, Inc.**,
Bowling Green, KY (US)

(**) Term: **15 Years**

(21) Appl. No.: **29/867,058**

(22) Filed: **Oct. 7, 2022**

Related U.S. Application Data

(62) Division of application No. 29/755,371, filed on Oct.
20, 2020, now Pat. No. Des. 967,859.

(51) **LOC (14) Cl.** **15-01**

(52) **U.S. Cl.**
USPC **D15/5**

(58) **Field of Classification Search**
USPC D15/1, 2, 3, 4, 5, 6
CPC F02M 35/104; F02M 35/108; F02M
35/1085; F02M 35/116

See application file for complete search history.

(56) **References Cited**

U.S. PATENT DOCUMENTS

4,165,720	A	8/1979	Barcak	
4,925,510	A	5/1990	Hojo	
5,150,669	A	9/1992	Rush, II	
5,959,263	A	9/1999	Foltz, Jr.	
6,394,128	B1	5/2002	Concialdi	
6,401,679	B1	6/2002	Self	
6,792,906	B2	9/2004	Grant	
7,021,263	B1 *	4/2006	Agnew F02M 35/116
				123/184.34
7,503,302	B2	3/2009	Miyashita	

7,533,661	B2	5/2009	Baasch
D654,094	S	2/2012	Dralle
9,556,831	B1	1/2017	Jasper
D794,681	S	8/2017	Newman et al.
D794,682	S	8/2017	Newman et al.
D853,920	S	7/2019	Hudnall
10,385,811	B2	8/2019	Newman et al.

(Continued)

FOREIGN PATENT DOCUMENTS

AU	34112	2/2012
AU	201717286	12/2017

(Continued)

OTHER PUBLICATIONS

Design U.S. Appl. No. 29/699,715, filed Jul. 29, 2019 titled Mani-
fold.

(Continued)

Primary Examiner — Ania Aman

(74) *Attorney, Agent, or Firm* — Dinsmore & Shohl LLP

(57) **CLAIM**

The ornamental design for a manifold, as shown and
described.

DESCRIPTION

FIG. 1 is an upper perspective view of a manifold showing
our new design;

FIG. 2 is a lower perspective view of the design of FIG. 1;

FIG. 3 is a top view of the design of FIG. 1;

FIG. 4 is a bottom view of the design of FIG. 1;

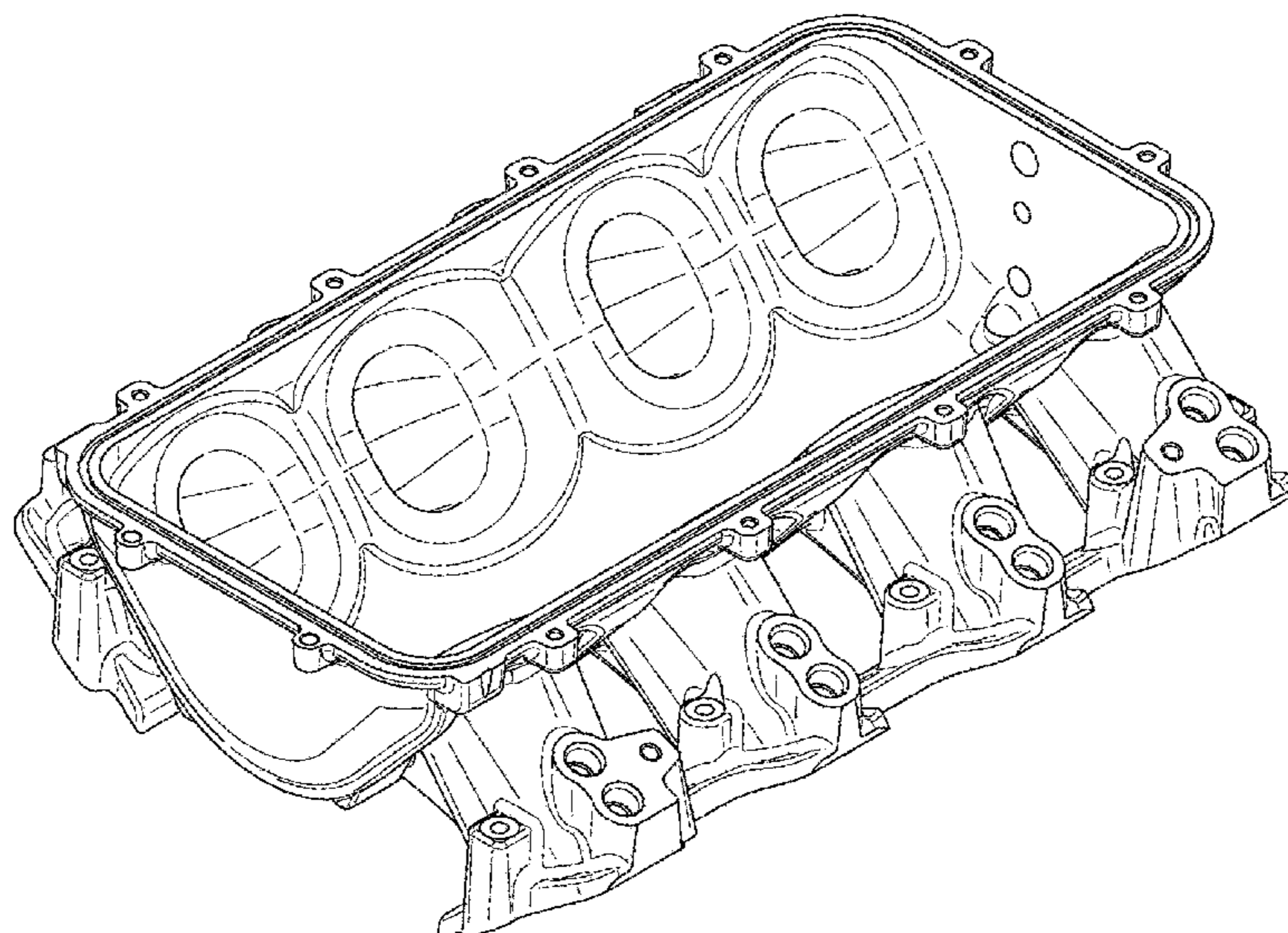
FIG. 5 is a first side view of the design of FIG. 1;

FIG. 6 is a second side view of the design of FIG. 1;

FIG. 7 is a front view of the design of FIG. 1; and,

FIG. 8 is a rear view of the design of FIG. 1.

1 Claim, 8 Drawing Sheets



(56)

References Cited

U.S. PATENT DOCUMENTS

D886,701	S	6/2020	Hudnall	
11,136,950	B2	10/2021	Tiramani	
D967,859	S	10/2022	Alexander	
D967,860	S	10/2022	Alexander	
2003/0079707	A1*	5/2003	Brassell	F02M 35/1036 123/184.61
2004/0094111	A1	5/2004	Concialdi	
2004/0206339	A1	10/2004	Suwazono	
2006/0005798	A1	1/2006	Chu	
2006/0090722	A1	5/2006	Boveia	
2006/0150950	A1	7/2006	Huhn	
2007/0175456	A1	8/2007	Tally	
2009/0260906	A1	10/2009	Harland	
2009/0277412	A1	11/2009	Sato	
2009/0293831	A1	12/2009	Harada	
2010/0031913	A1*	2/2010	Rolland	F02M 35/10039 123/184.21
2011/0005488	A1	1/2011	Reese	
2011/0132310	A1	6/2011	Bom	
2011/0162611	A1	7/2011	Zhang	
2017/0067424	A1	3/2017	Krogdahl	
2017/0335809	A1*	11/2017	Newman	F02M 35/10039
2019/0128221	A1	5/2019	Tiramani	
2019/0360438	A1	11/2019	Tiramani	

FOREIGN PATENT DOCUMENTS

AU	201717292	12/2017
AU	201717296	12/2017
AU	2015338922	11/2019
AU	202010326	4/2020
AU	202012463	6/2020
AU	202012810	8/2020
AU	202012813	8/2020
AU	202012814	8/2020
AU	202012815	8/2020
AU	202012817	8/2020
AU	202012818	8/2020

AU	202013437	10/2020
AU	202015398	11/2020
AU	202015399	11/2020
AU	202112133	5/2021
AU	202112130	7/2021
AU	202112132	7/2021

OTHER PUBLICATIONS

Design U.S. Appl. No. 29/713,834, filed Nov. 19, 2019 titled Manifold.

Design U.S. Appl. No. 29/713,833, filed Nov. 19, 2019 titled Manifold.

Design U.S. Appl. No. 29/713,626, filed Nov. 18, 2019 titled Manifold.

Design U.S. Appl. No. 29/755,372, filed Oct. 20, 2020 titled Manifold.

Design U.S. Appl. No. 29/713,625, filed Nov. 18, 2019 titled Manifold.

Design U.S. Appl. No. 29/747,341, filed Aug. 21, 2020 titled Manifold.

Design U.S. Appl. No. 29/755,373, filed Oct. 20, 2020 titled Manifold Adapter.

Holley 2017 New & Hot Products 2016.

Design U.S. Appl. No. 29/867,059, filed Oct. 7, 2022 titled Manifold.

Design U.S. Appl. No. 29/605,771, filed May 30, 2017 titled "Exhaust Manifold".

Design U.S. Appl. No. 29/713,627, filed Nov. 18, 2019 titled "Panel for Intake Manifold".

Design U.S. Appl. No. 29/713,628, filed Nov. 18, 2019 titled "Throttle Body Adapter".

Design U.S. Appl. No. 29/755,371, filed Oct. 20, 2020 titled Manifold.

Design U.S. Appl. No. 29/718,592, filed Dec. 26, 2019 titled "Manifold".

Design U.S. Appl. No. 29/795,969, filed Jun. 22, 2021 titled "Manifold".

* cited by examiner

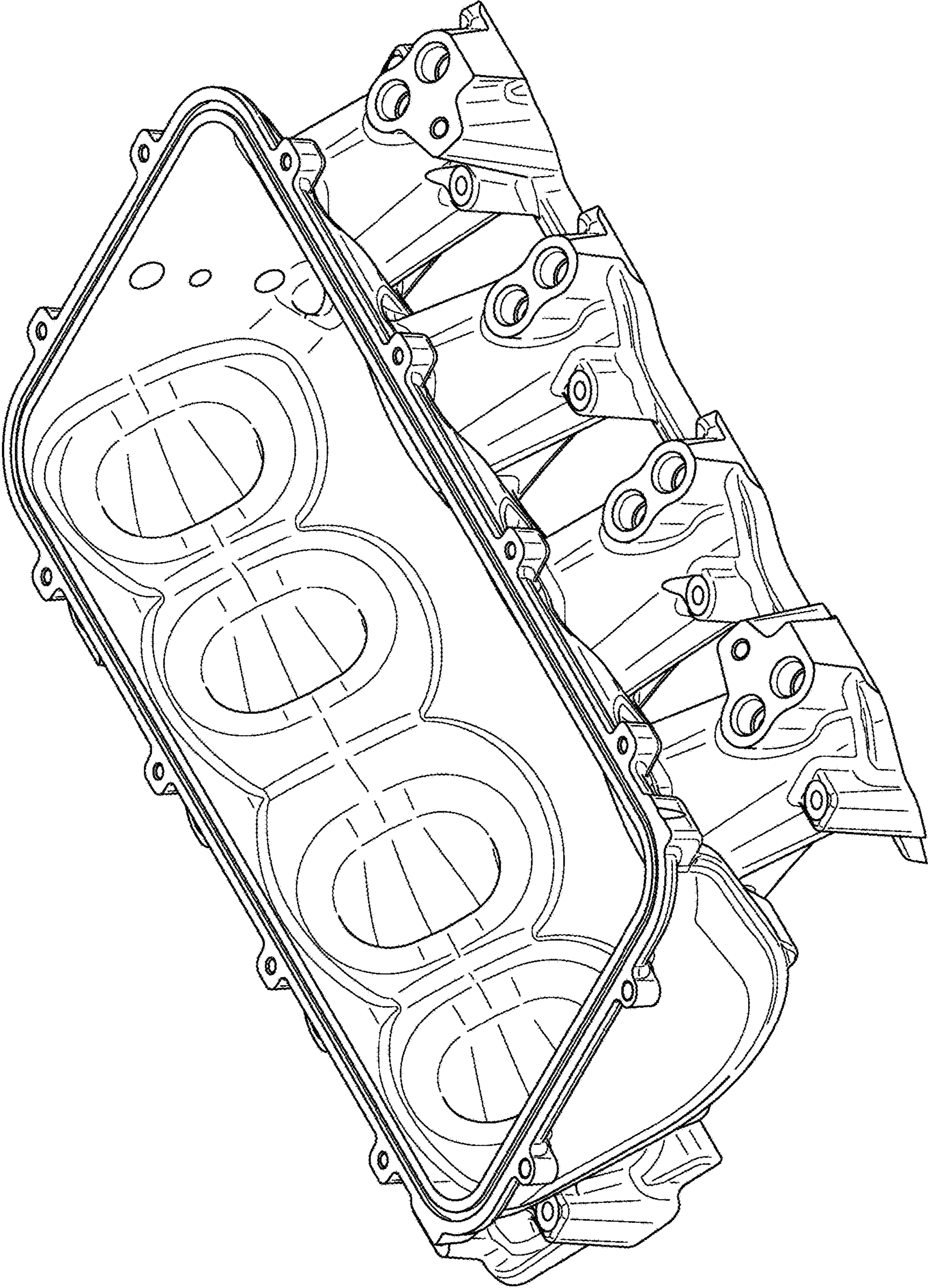


FIG. 1

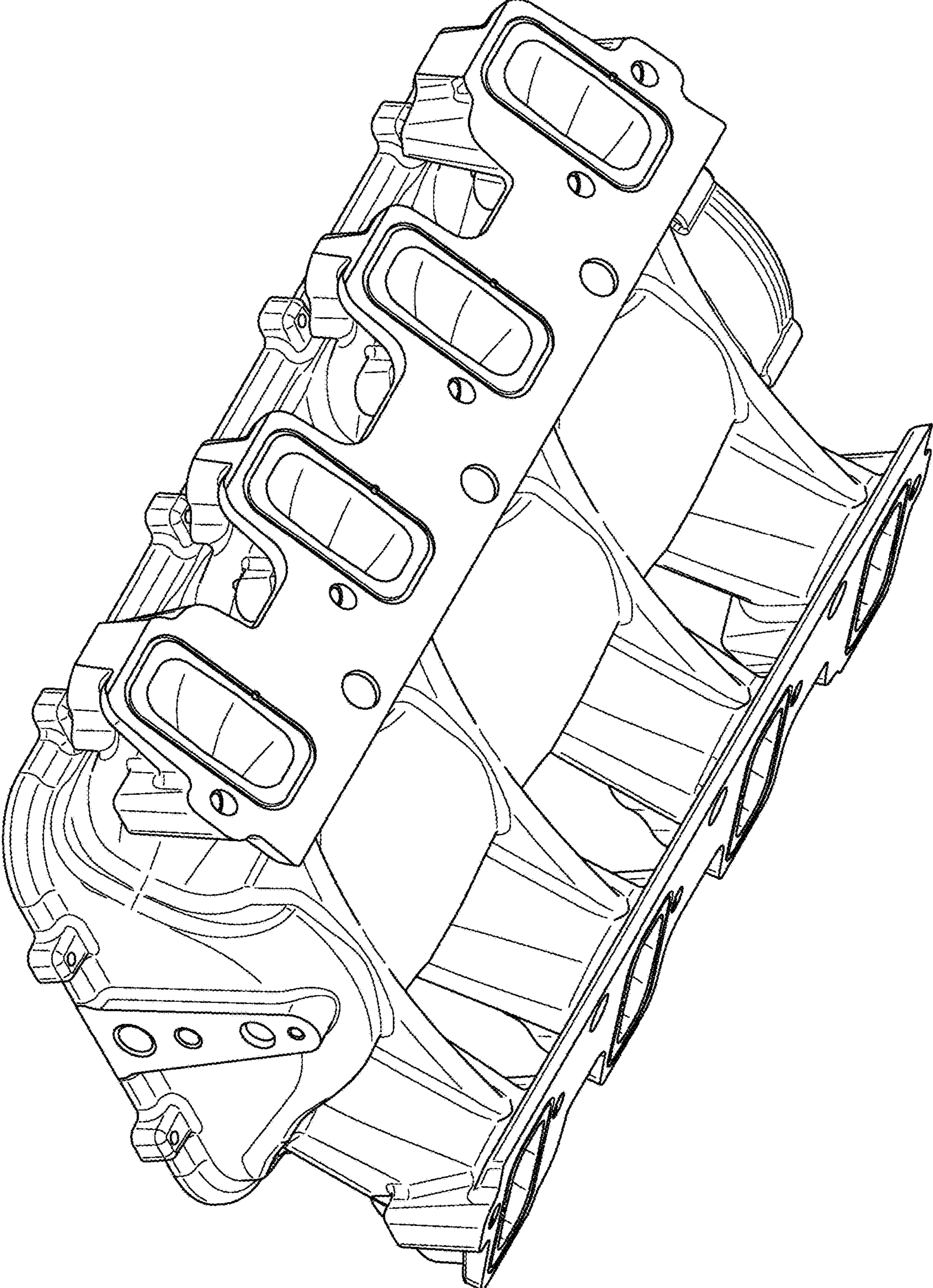


FIG. 2

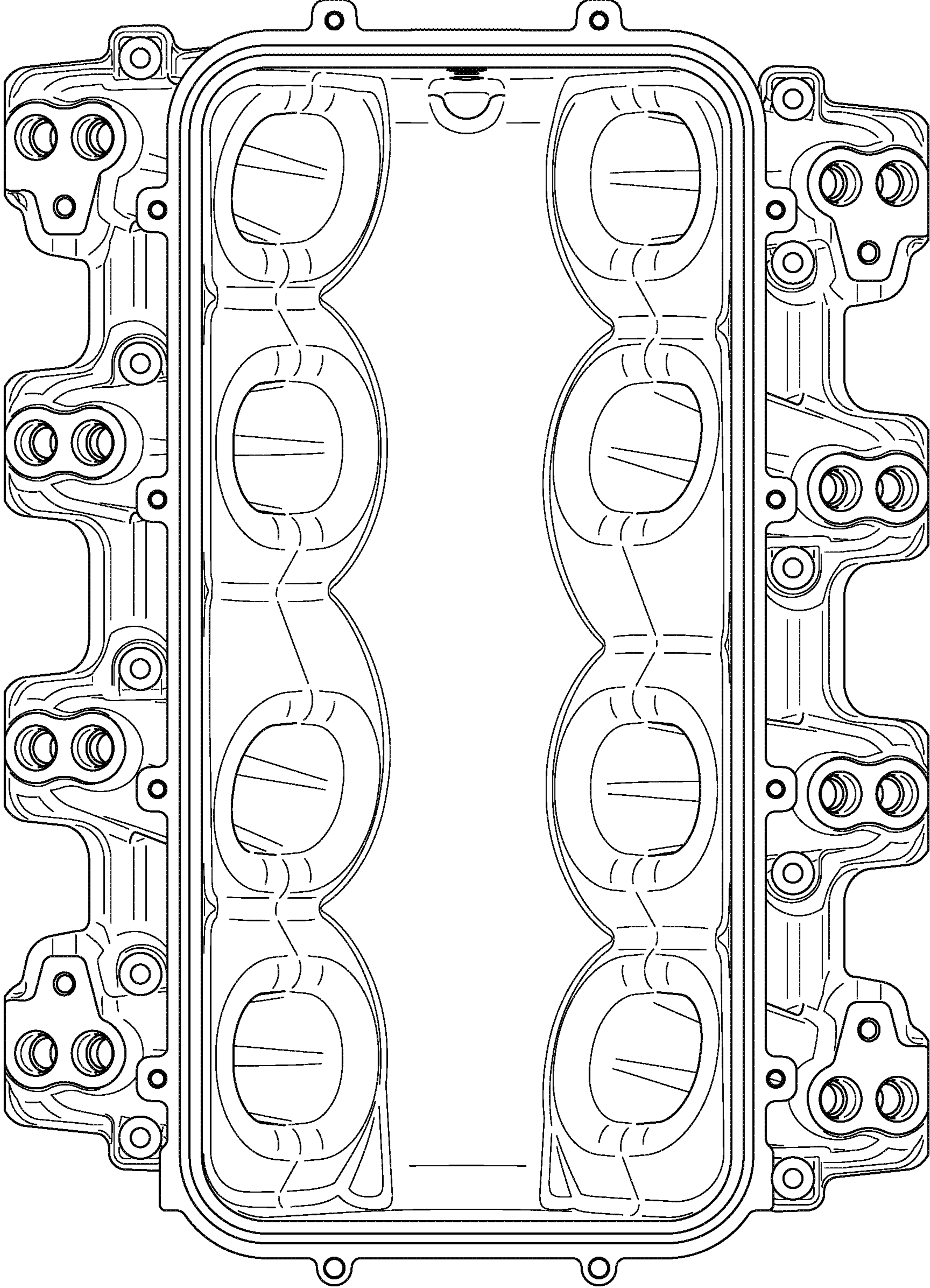


FIG. 3

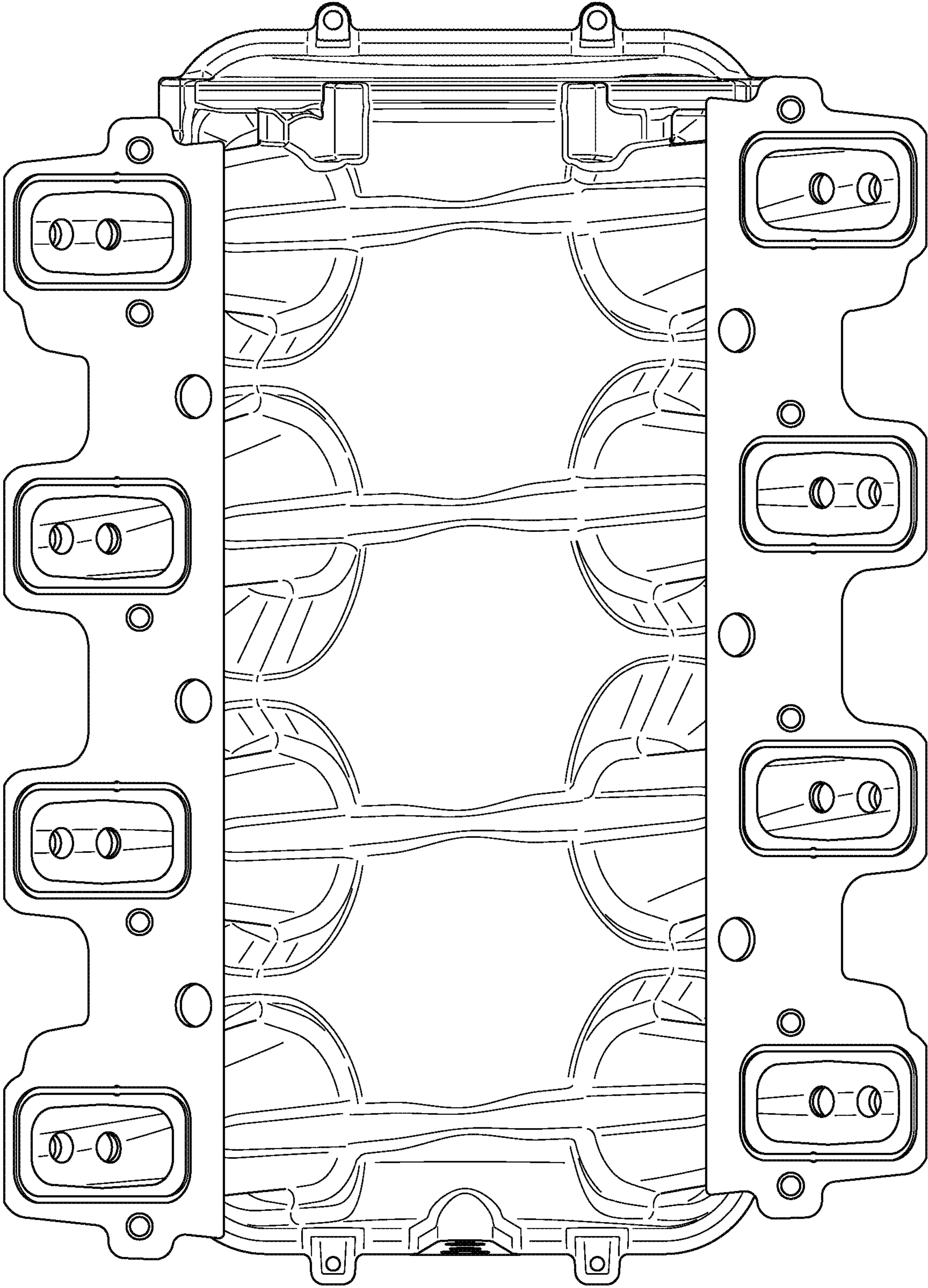


FIG. 4

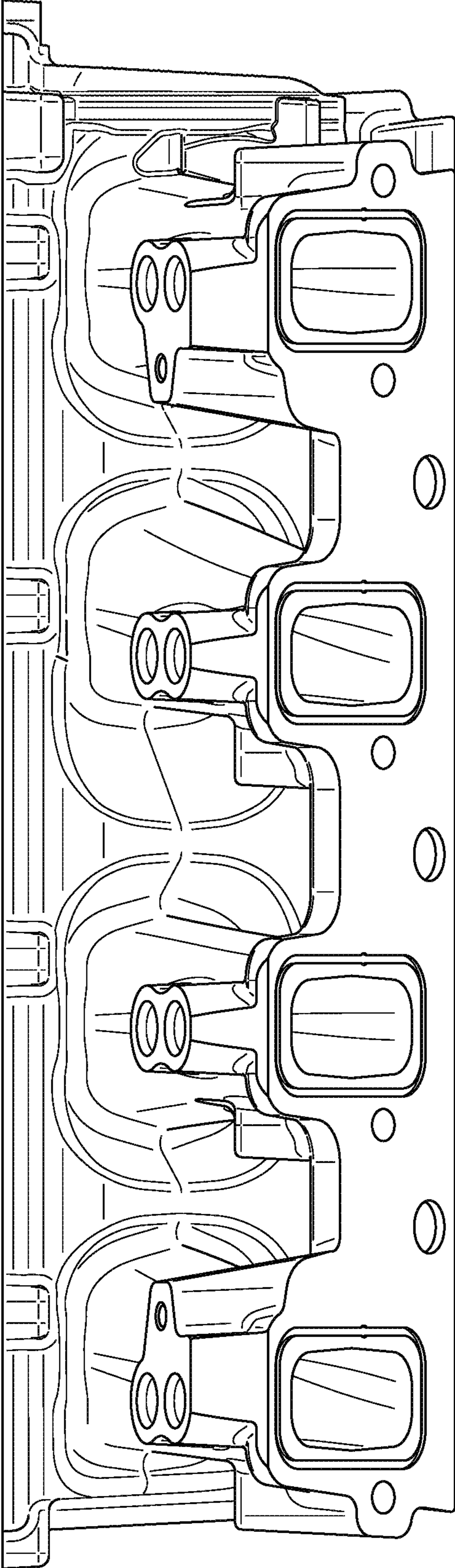


FIG. 5

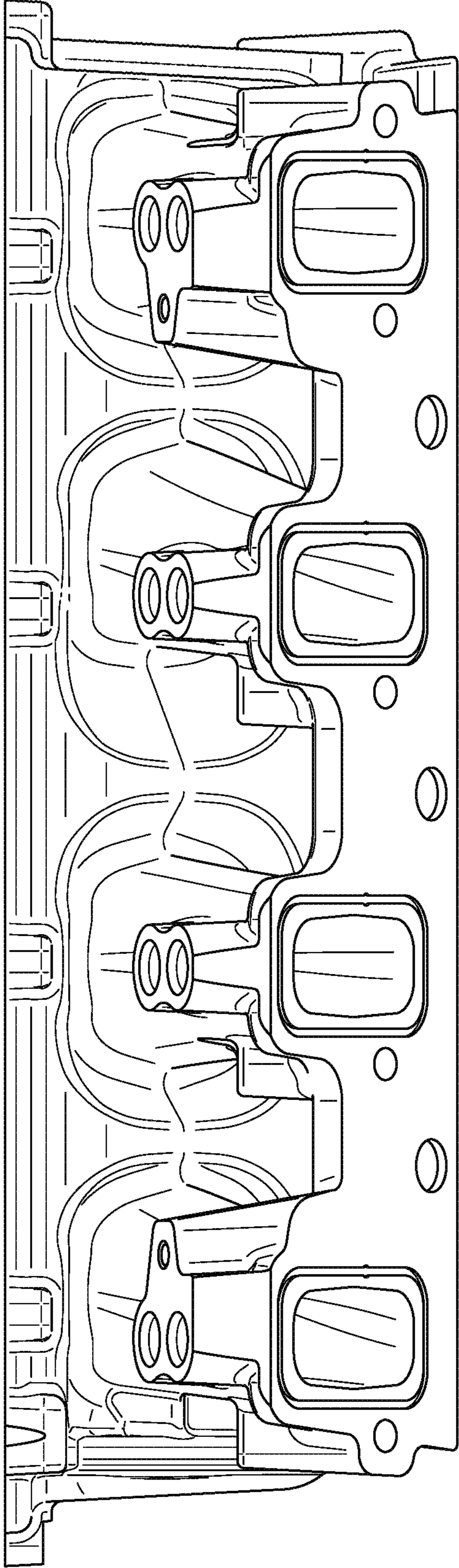


FIG. 6

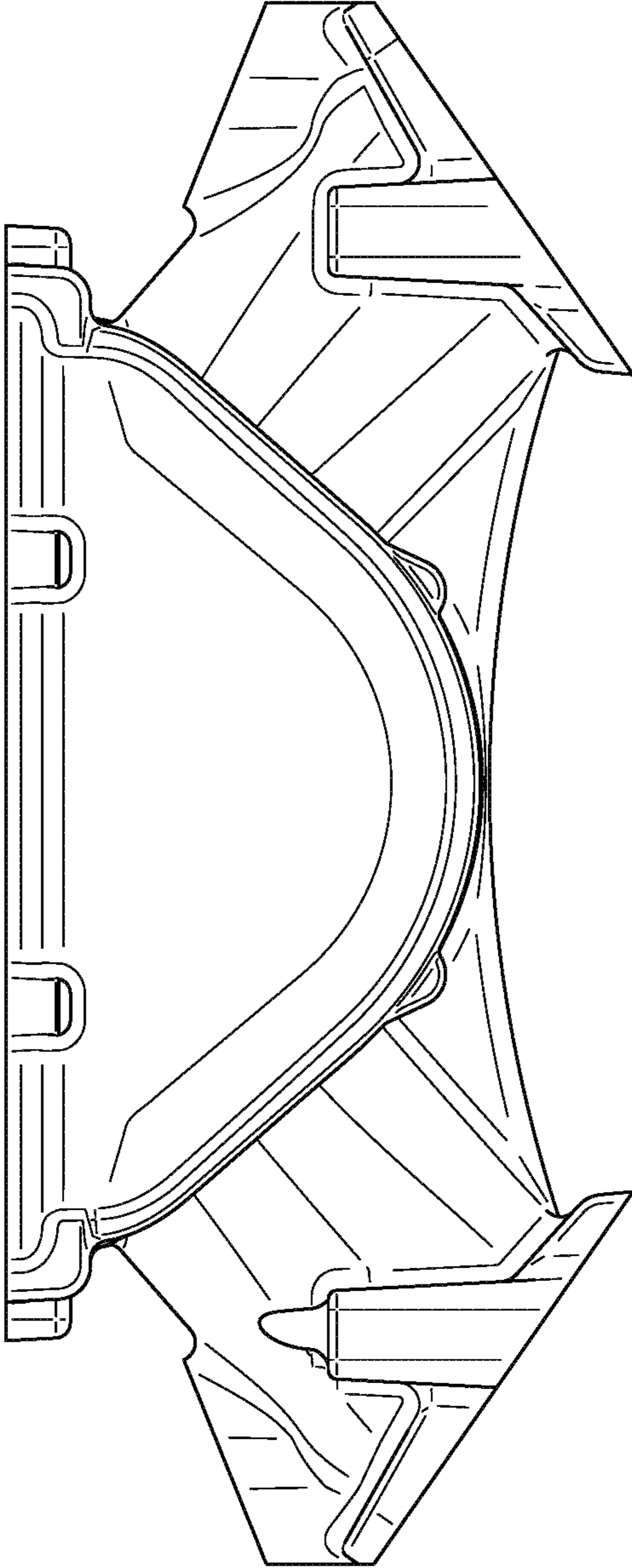


FIG. 7

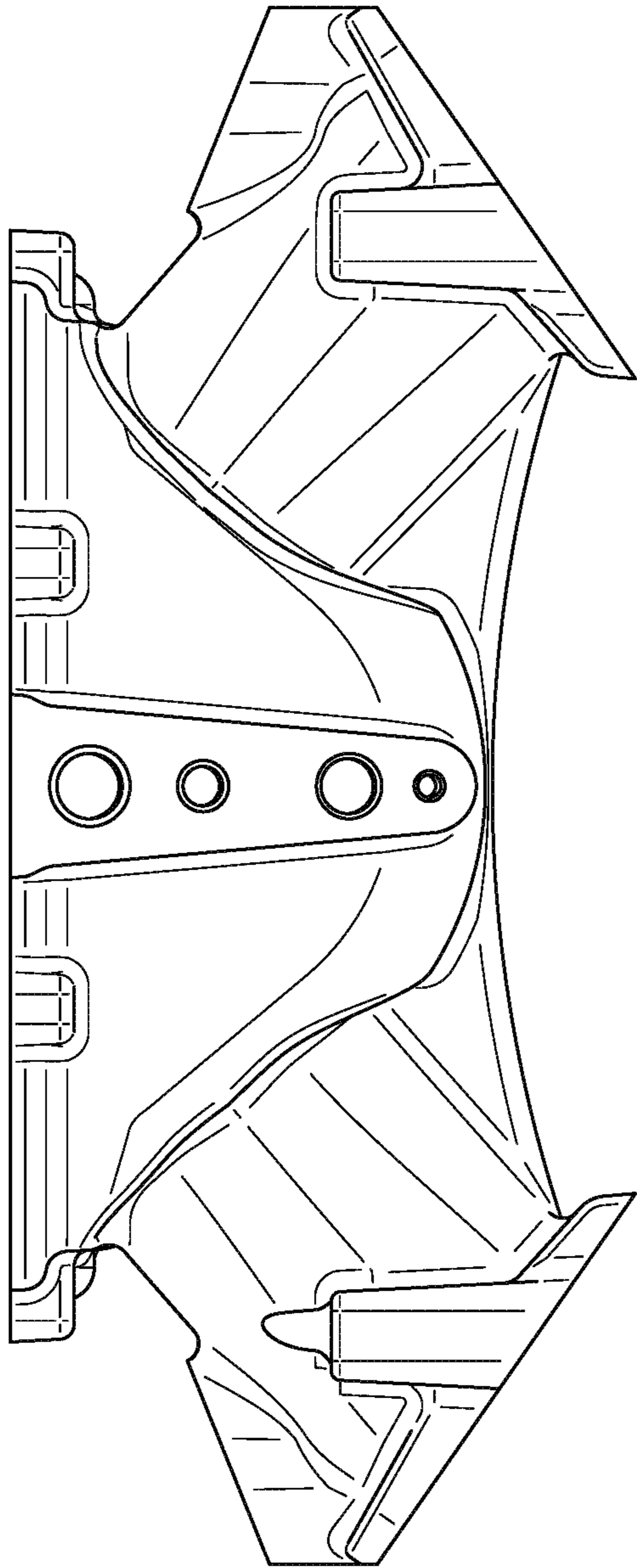


FIG. 8