



US00D985620S

(12) **United States Design Patent** (10) **Patent No.:** **US D985,620 S**  
**Fang** (45) **Date of Patent:** **\*\* May 9, 2023**

(54) **CD PLAYER**

D911,389 S \* 2/2021 Fang ..... D14/509  
D948,695 S \* 4/2022 Patton ..... D23/366  
D951,232 S \* 5/2022 Zhao ..... D24/231

(71) Applicant: **Yang Fang**, Hunan (CN)

(72) Inventor: **Yang Fang**, Hunan (CN)

(\*\*) Term: **15 Years**

(21) Appl. No.: **29/749,526**

(22) Filed: **Sep. 7, 2020**

(51) **LOC (14) Cl.** ..... **14-01**

(52) **U.S. Cl.**  
USPC ..... **D14/499**; D14/203.8; D14/203.6

(58) **Field of Classification Search**  
USPC ... D14/365, 195, 203.1, 203.3, 203.6, 203.8,  
D14/498-510; D12/192  
CPC ..... B60K 37/00; G11B 17/02; G11B 17/04;  
G11B 17/00; G11B 17/022; G11B  
17/0405; G11B 23/00; G11B 25/00;  
G11B 25/04; G11B 25/043; G11B 33/00;  
G11B 33/02; G11B 33/022; G11B 33/025  
See application file for complete search history.

FOREIGN PATENT DOCUMENTS

CN 306359055 \* 3/2021  
EM 008162309-0001 \* 9/2020  
GB 9008162309-0001 \* 9/2020  
JP D1679898 \* 9/2020

OTHER PUBLICATIONS

Portable CD Player, Sep. 9, 2021, Amazon, site visited Dec. 1, 2022:  
<https://www.amazon.com/Portable-Bluetooth-Mounted-Boombox-Speakers/dp/B09FW62BGT> (Year: 2021).\*

(Continued)

*Primary Examiner* — Leanne Was-Englehart  
*Assistant Examiner* — Alison Davis

(57) **CLAIM**

The ornamental design for a CD player, as shown and described.

**DESCRIPTION**

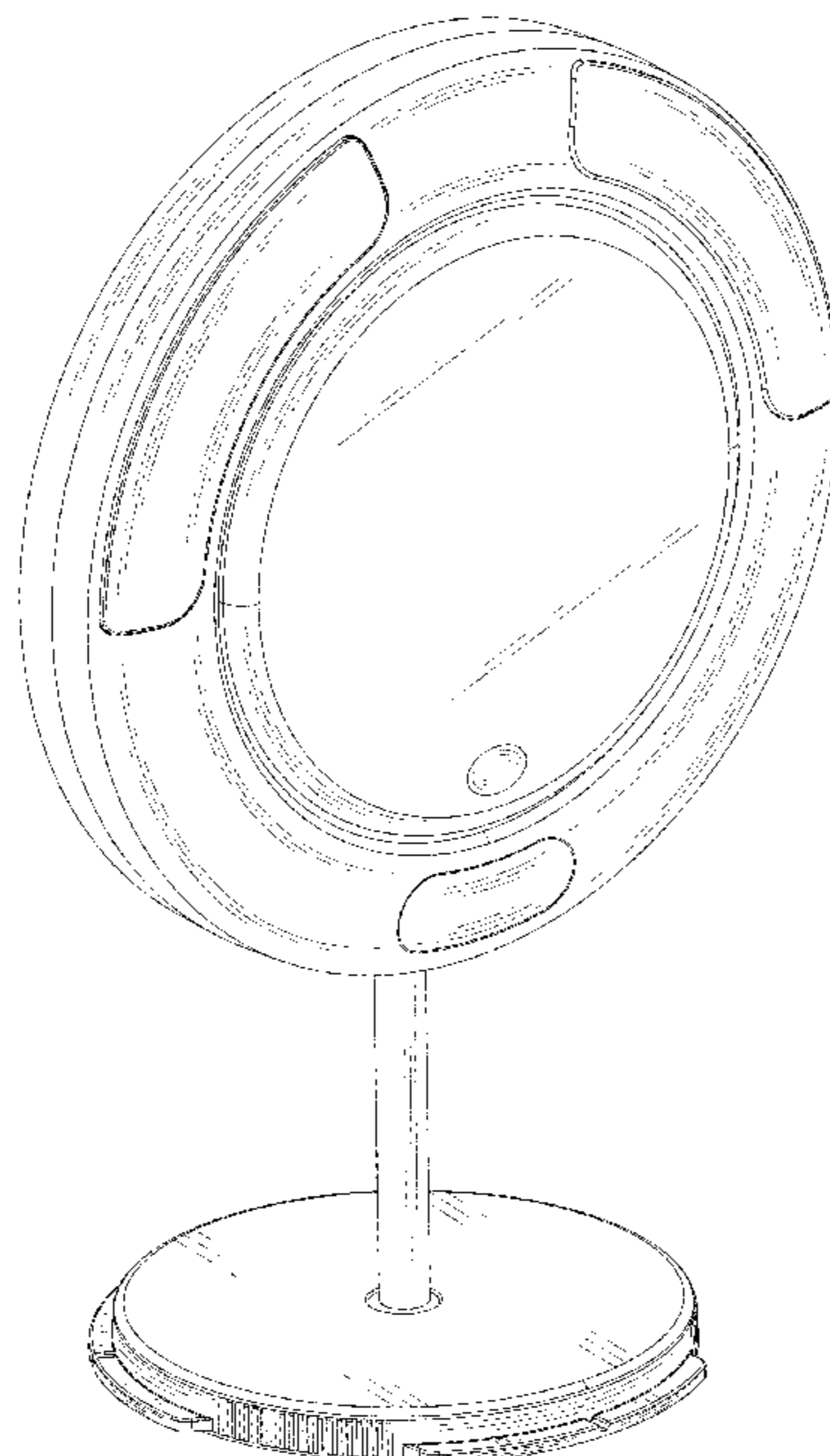
FIG. 1 is a perspective view of a CD player showing my new design;  
FIG. 2 is a front elevational view thereof;  
FIG. 3 is a rear elevational view thereof;  
FIG. 4 is a left side elevational view thereof;  
FIG. 5 is a right side elevational view thereof;  
FIG. 6 is a top plan view thereof;  
FIG. 7 is a bottom plan view thereof; and,  
FIG. 8 is a rear side perspective view thereof.  
The broken lines in the drawings depict portions of the CD player that form no part of the claimed design.

**1 Claim, 8 Drawing Sheets**

(56) **References Cited**

U.S. PATENT DOCUMENTS

D462,673 S \* 9/2002 Hisatsune ..... D14/499  
D482,672 S \* 11/2003 Takagi ..... D14/509  
D521,964 S \* 5/2006 Zhang ..... D14/203.8  
D531,159 S \* 10/2006 Park ..... D14/203.3  
D532,403 S \* 11/2006 Lee ..... D14/509  
D551,651 S \* 9/2007 Sakai ..... D14/509  
D554,614 S \* 11/2007 Lin ..... D14/509  
D561,732 S \* 2/2008 Motoishi ..... D14/509  
D820,318 S \* 6/2018 Mullins ..... D14/496  
D875,786 S \* 2/2020 Fang ..... D14/509  
D890,752 S \* 7/2020 Huang ..... D14/300  
D894,122 S \* 8/2020 Ye ..... D13/108  
D904,953 S \* 12/2020 Gu ..... D12/192



(56)

**References Cited**

OTHER PUBLICATIONS

ROADOM Bluetooth CD Player, Nov. 29, 2021, Amazon, site visited Dec. 1, 2022: <https://www.amazon.com/Players-ROADOM-Bluetooth-Speakers-Supports/dp/B09MQ65XCJ> (Year: 2021).\*

WOKALON Portable CD Player, Nov. 15, 2021, Amazon, site visited Dec. 2, 2022: <https://www.amazon.com/WOKALON-Portable-Speakers-Rechargeable-Anti-Skip/dp/B09LTVK2NW/> (Year: 2021).\*

CD Player FM Radio, unknown date, Walmart, site visited Dec. 1, 2022: <https://www.walmart.com/ip/CD-Player-FM-Radio-Surround-Sound-Bluetooth-MP3-Player-Wall-Mount-Speaker-System-Portable-DVD-Player-Discman-Player/1196409055?wmlspartner=wlp&selectedSellerId=101225411> (Year: 2022).\*

Newest Built-in Speaker Stereo, 2022, Alibaba, site visited Dec. 1, 2022: [https://www.alibaba.com/product-detail/2022-Newest-Built-in-Speaker-Stereo\\_1600460583785.html](https://www.alibaba.com/product-detail/2022-Newest-Built-in-Speaker-Stereo_1600460583785.html) (Year: 2022).\*

CD Player Portable with Bluetooth, Aug. 29, 2022, Amazon, site visited Dec. 2, 2022: <https://www.amazon.com/dp/B0BC7QVC8X/> (Year: 2022).\*

\* cited by examiner

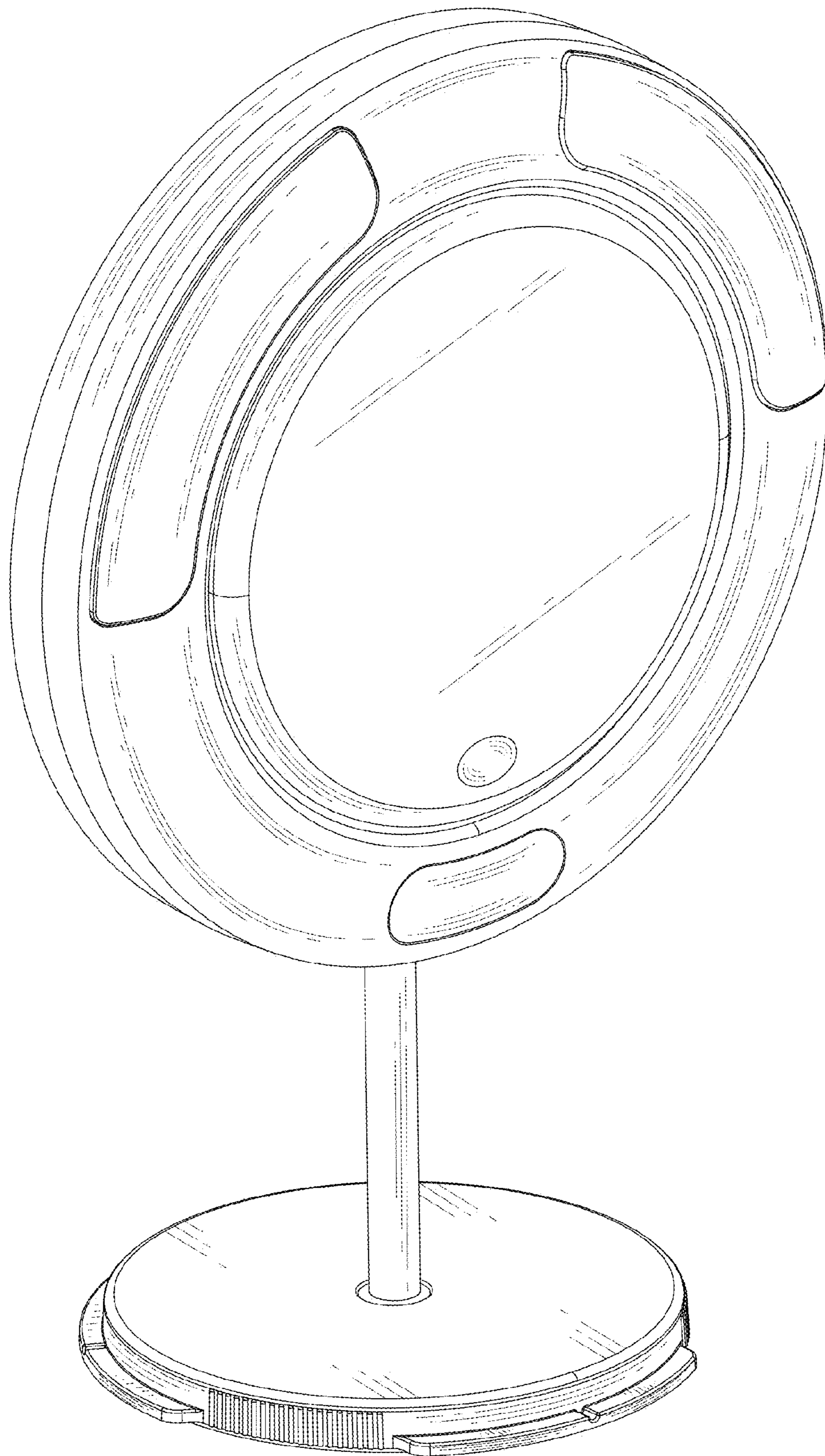


FIG. 1

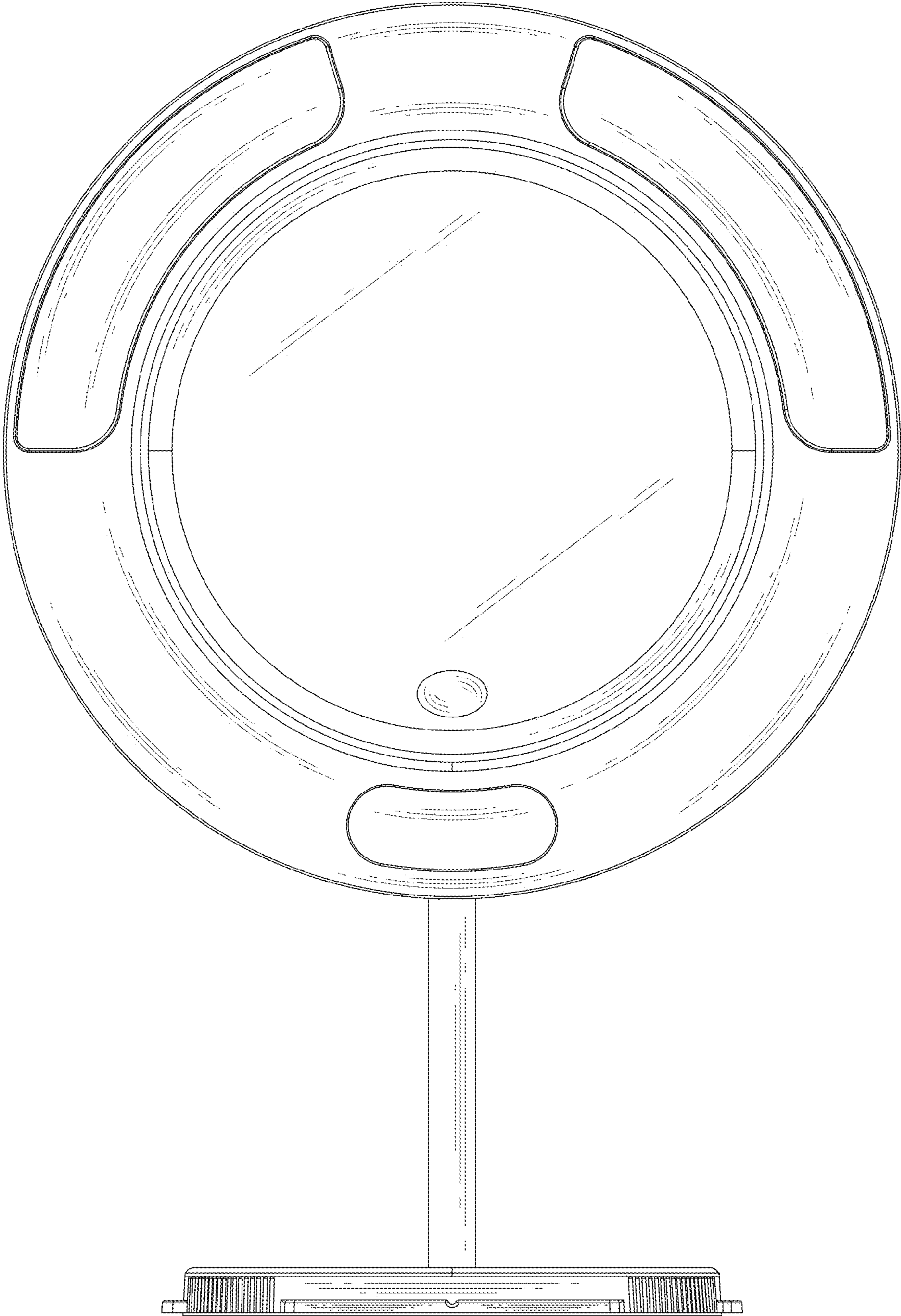


FIG. 2

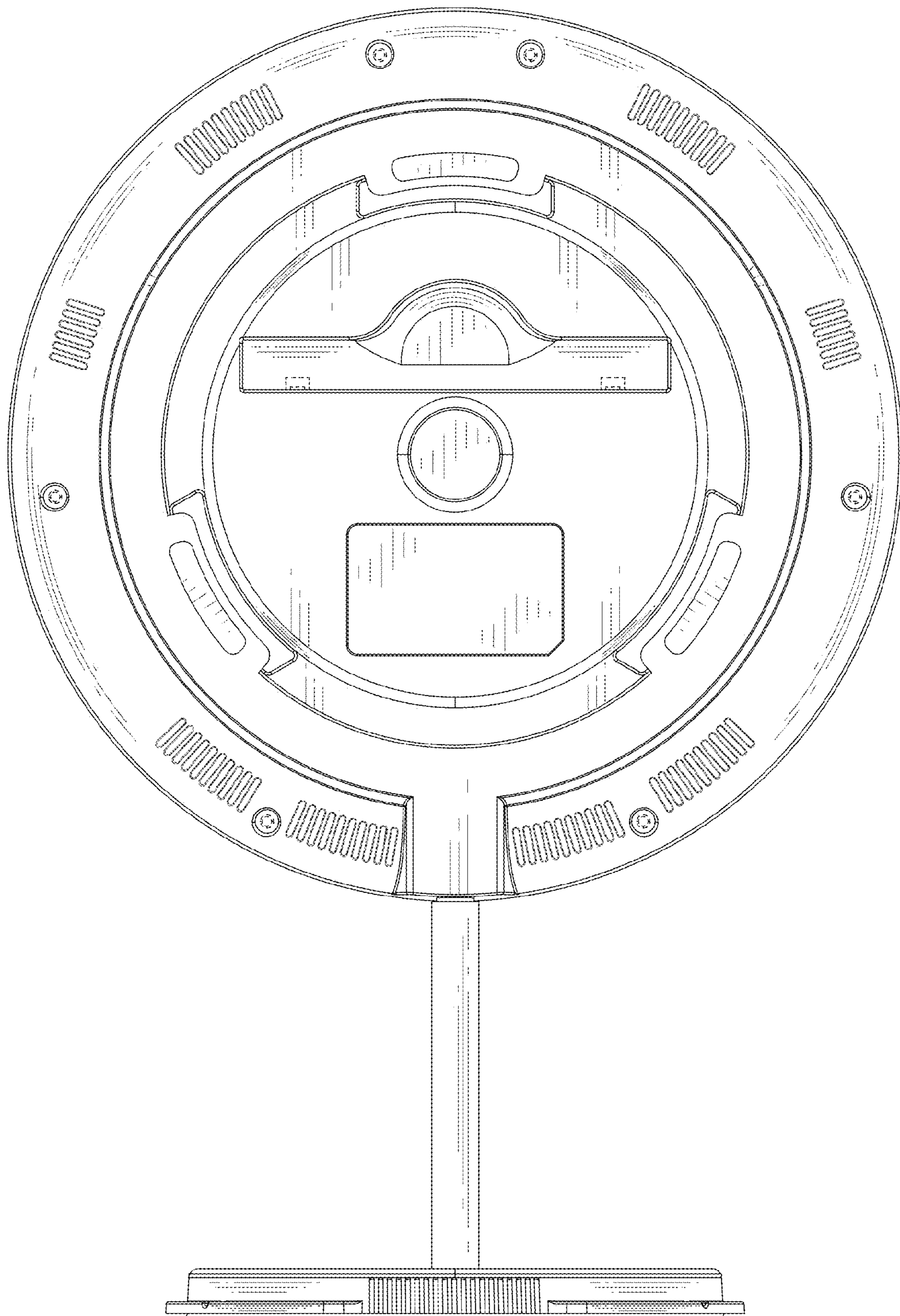


FIG. 3

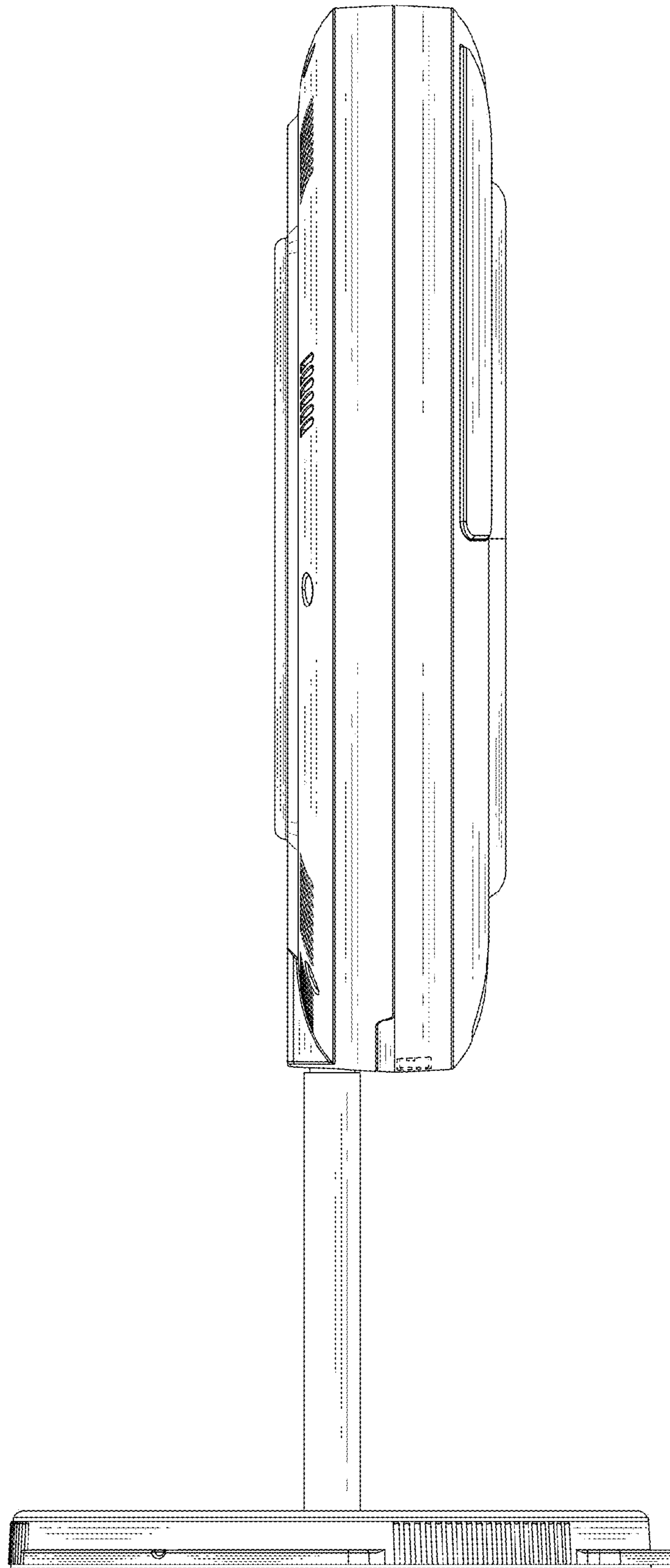


FIG. 4

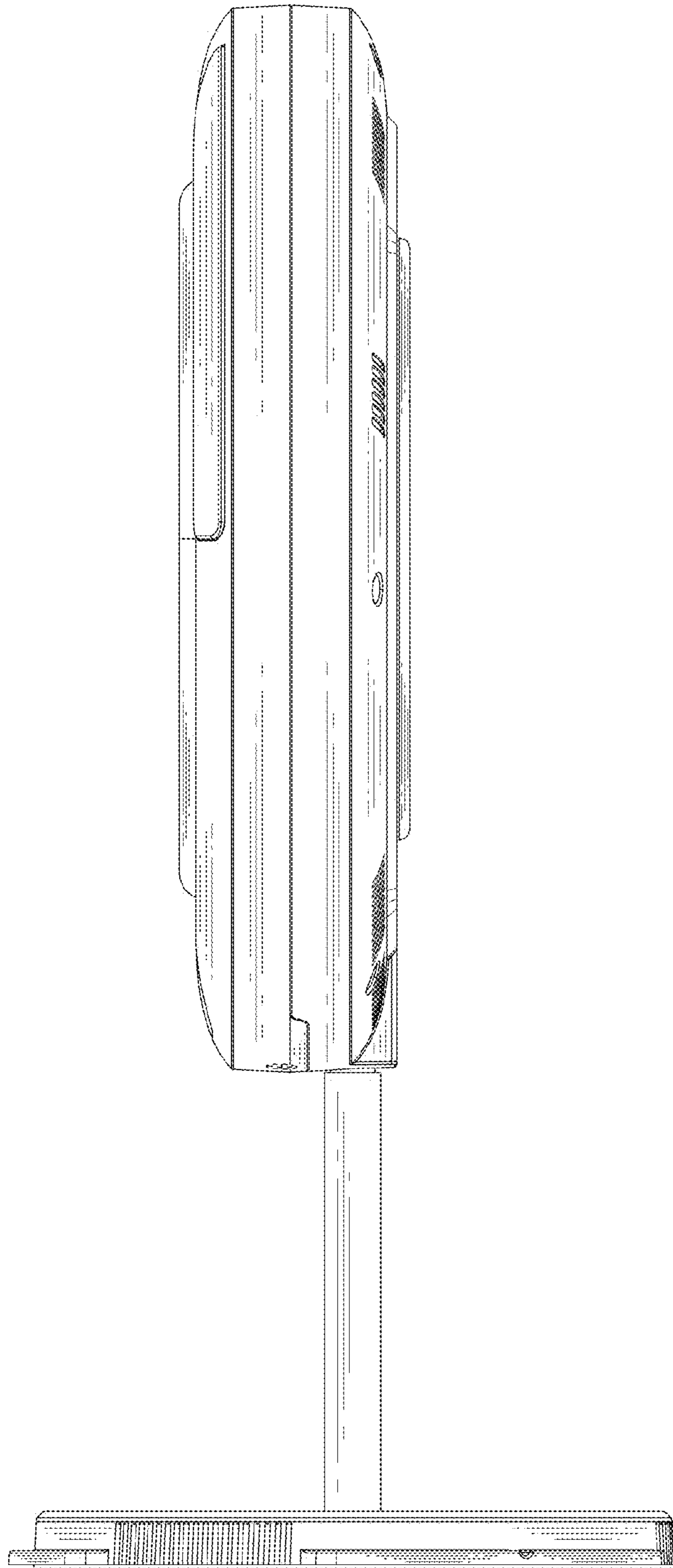


FIG. 5

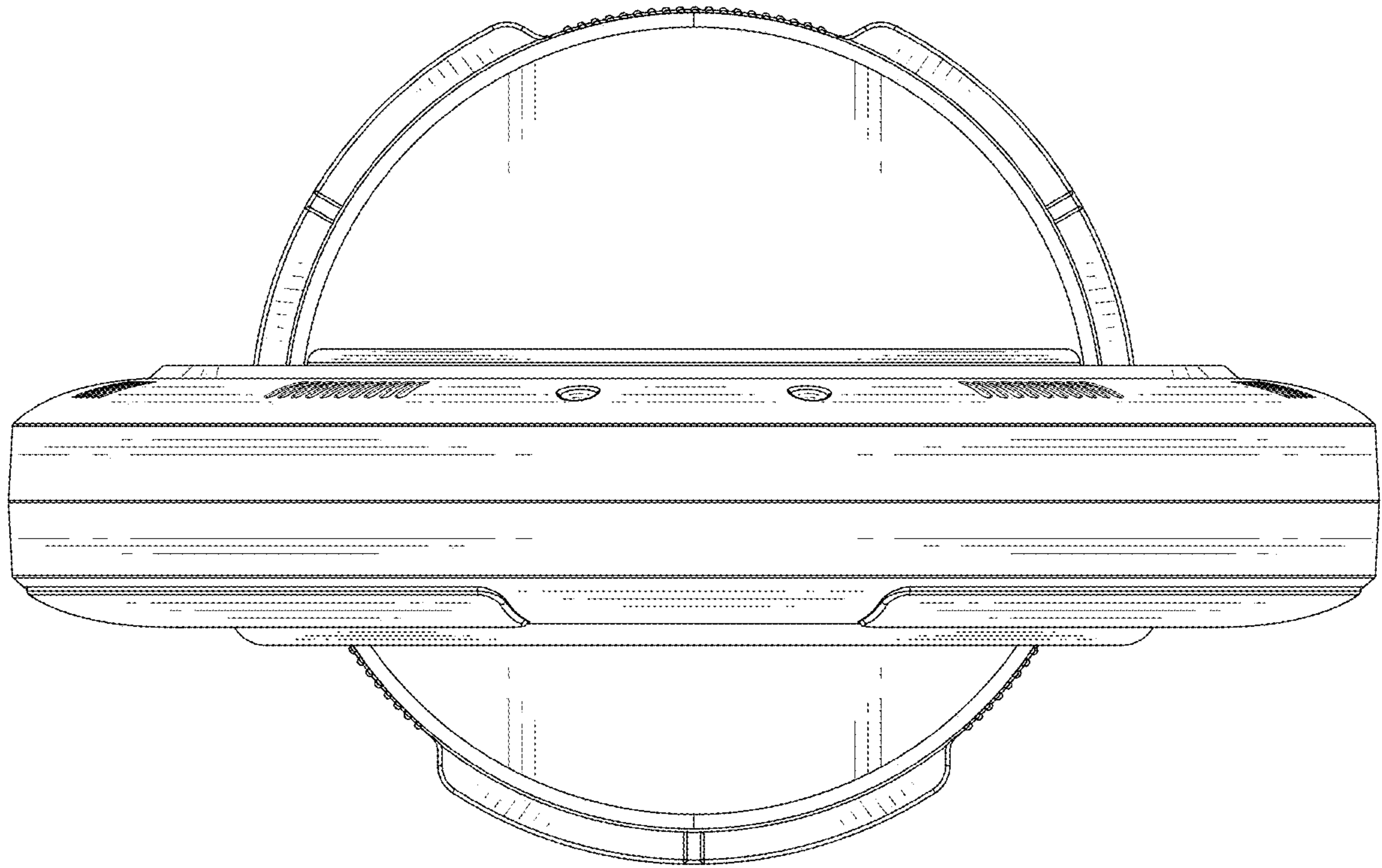


FIG. 6



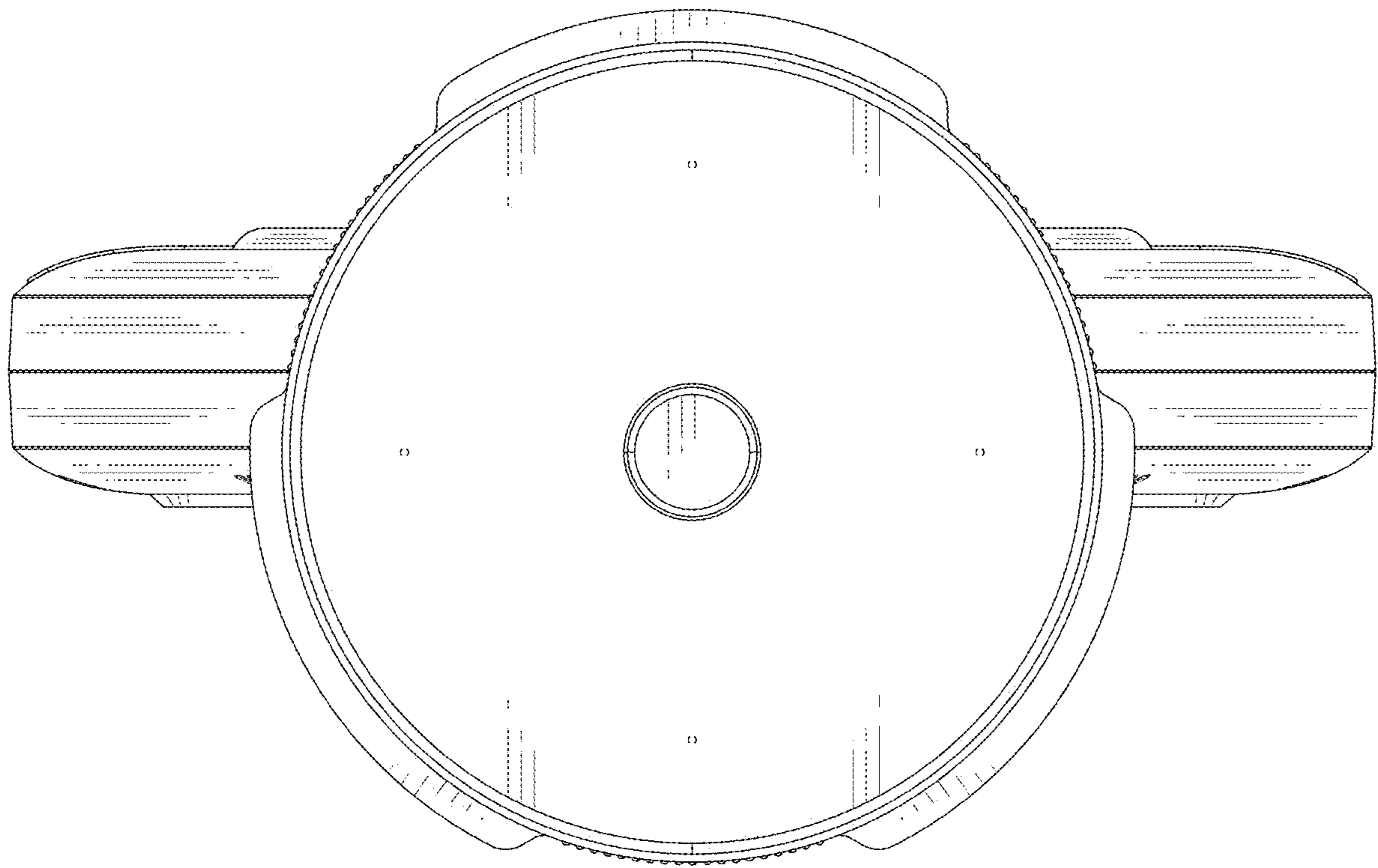


FIG. 7

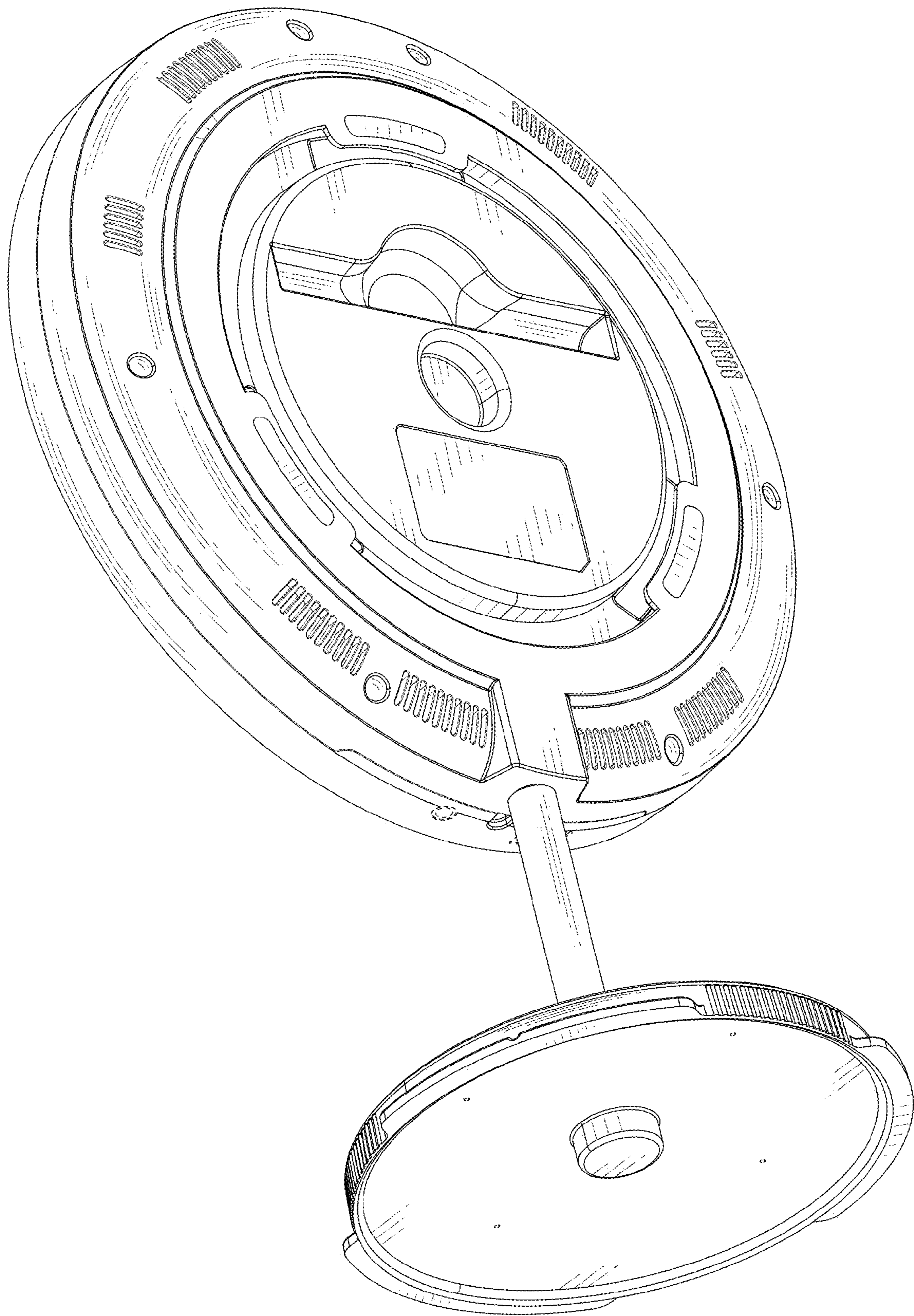


FIG. 8