



US00D985592S

(12) **United States Design Patent**  
**Hsu et al.**

(10) **Patent No.:** **US D985,592 S**

(45) **Date of Patent:** **\*\* May 9, 2023**

(54) **DISPLAY SCREEN WITH ANIMATED GRAPHICAL USER INTERFACE FOR CARD SQUEEZING**

(71) Applicant: **JUMBO TECHNOLOGY CO., LTD.**,  
Taichung (TW)

(72) Inventors: **Shun-Tsung Hsu**, Taichung (TW);  
**Chang-Yi Wang**, Taichung (TW)

(73) Assignee: **JUMBO TECHNOLOGY CO., LTD.**,  
Taichung (TW)

(\*\*) Term: **15 Years**

(21) Appl. No.: **29/810,457**

(22) Filed: **Oct. 5, 2021**

(51) **LOC (14) Cl.** ..... **14-04**

(52) **U.S. Cl.**  
USPC ..... **D14/485**

(58) **Field of Classification Search**  
USPC ..... D14/485–495  
CPC .... G06F 3/048; G06F 3/0481; G06F 3/04812;  
G06F 3/04815; G06F 3/04817; G06F  
3/0482; G06F 3/0483; G06F 3/0484;  
G06F 3/04842; G06F 3/04845; G06F  
3/04847; G06F 3/0485; G06F 3/04855;  
G06F 3/0486; G06F 3/0487; G06F  
3/0488; G06F 3/04883; G06F 3/04886  
See application file for complete search history.

(56) **References Cited**

**U.S. PATENT DOCUMENTS**

D612,391 S *	3/2010	Fletcher	.....	D14/486
D695,306 S *	12/2013	Gabouer	.....	D14/489
D705,805 S *	5/2014	Schweizer	.....	D14/489
D715,831 S *	10/2014	Kim	.....	D14/488
D737,831 S *	9/2015	Lee	.....	D14/485
D752,645 S *	3/2016	Lee	.....	D14/494
D759,666 S *	6/2016	Kuhn	.....	D14/485

D760,726 S *	7/2016	Wang	.....	D14/485
D777,185 S *	1/2017	Kwak	.....	D14/486
D777,197 S *	1/2017	Miao	.....	D14/486
D781,334 S *	3/2017	Rad	.....	D14/486
D785,643 S *	5/2017	Bao	.....	D14/485
D802,606 S *	11/2017	Bauducco	.....	D14/485
D803,885 S *	11/2017	Kim	.....	D14/488
D895,664 S *	9/2020	Baber	.....	D14/488
D915,451 S *	4/2021	Baber	.....	D14/488
D933,079 S *	10/2021	Baber	.....	D14/488
D946,013 S *	3/2022	Maiman	.....	D14/485
D948,540 S *	4/2022	Holland	.....	D14/485
D949,192 S *	4/2022	Li	.....	D14/487

(Continued)

*Primary Examiner* — Daniel J Domino

(74) *Attorney, Agent, or Firm* — Muncy, Geissler, Olds & Lowe, P.C.

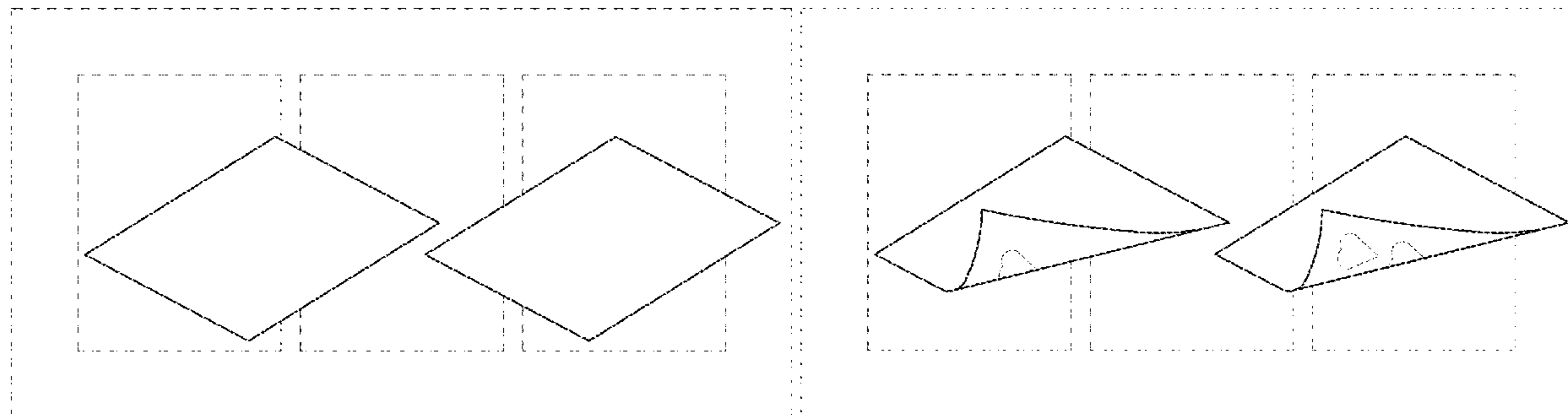
(57) **CLAIM**

The ornamental design for a display screen with animated graphical user interface for card squeezing, as shown and described.

**DESCRIPTION**

FIG. 1 is a front view of a display screen with animated graphical user interface for card squeezing showing a first image of the claimed design;  
 FIG. 2 is a second image thereof;  
 FIG. 3 is a third image thereof;  
 FIG. 4 is a fourth image thereof;  
 FIG. 5 is a fifth image thereof; and,  
 FIG. 6 is a sixth image thereof.  
 The appearance of the animated image sequentially transitions between the images shown in FIGS. 1-6.  
 The process or period in which one image transitions to another forms no part of the claimed design.  
 The broken lines in the figures show a display screen and portions of the animated graphical user interface that form no part of the claimed design.

**1 Claim, 3 Drawing Sheets**



(56)

**References Cited**

U.S. PATENT DOCUMENTS

D964,418 S \* 9/2022 Deshpande ..... D14/488  
2013/0314341 A1 \* 11/2013 Lee ..... G06F 3/0481  
345/173

\* cited by examiner

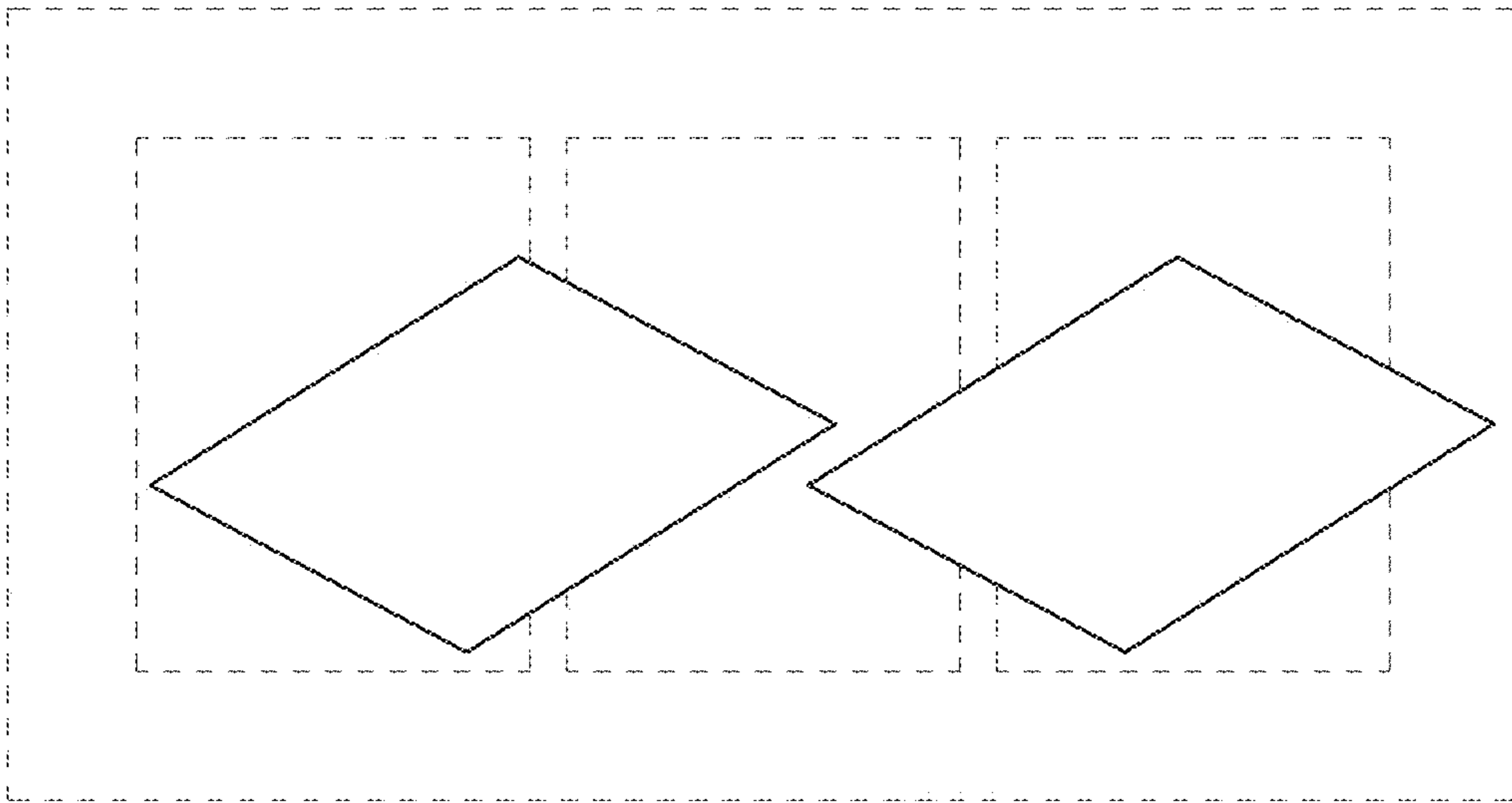


Fig. 1

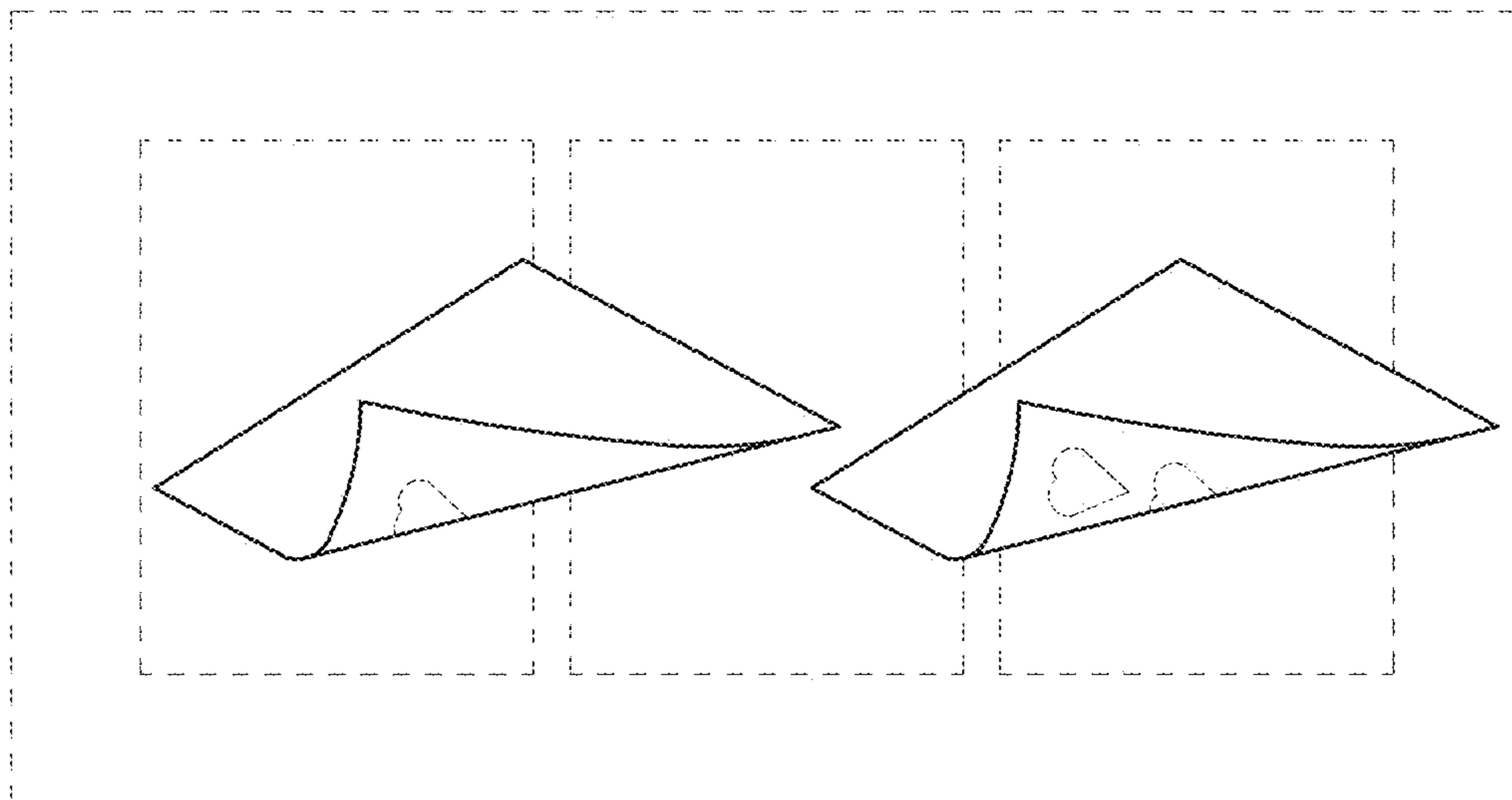


Fig. 2

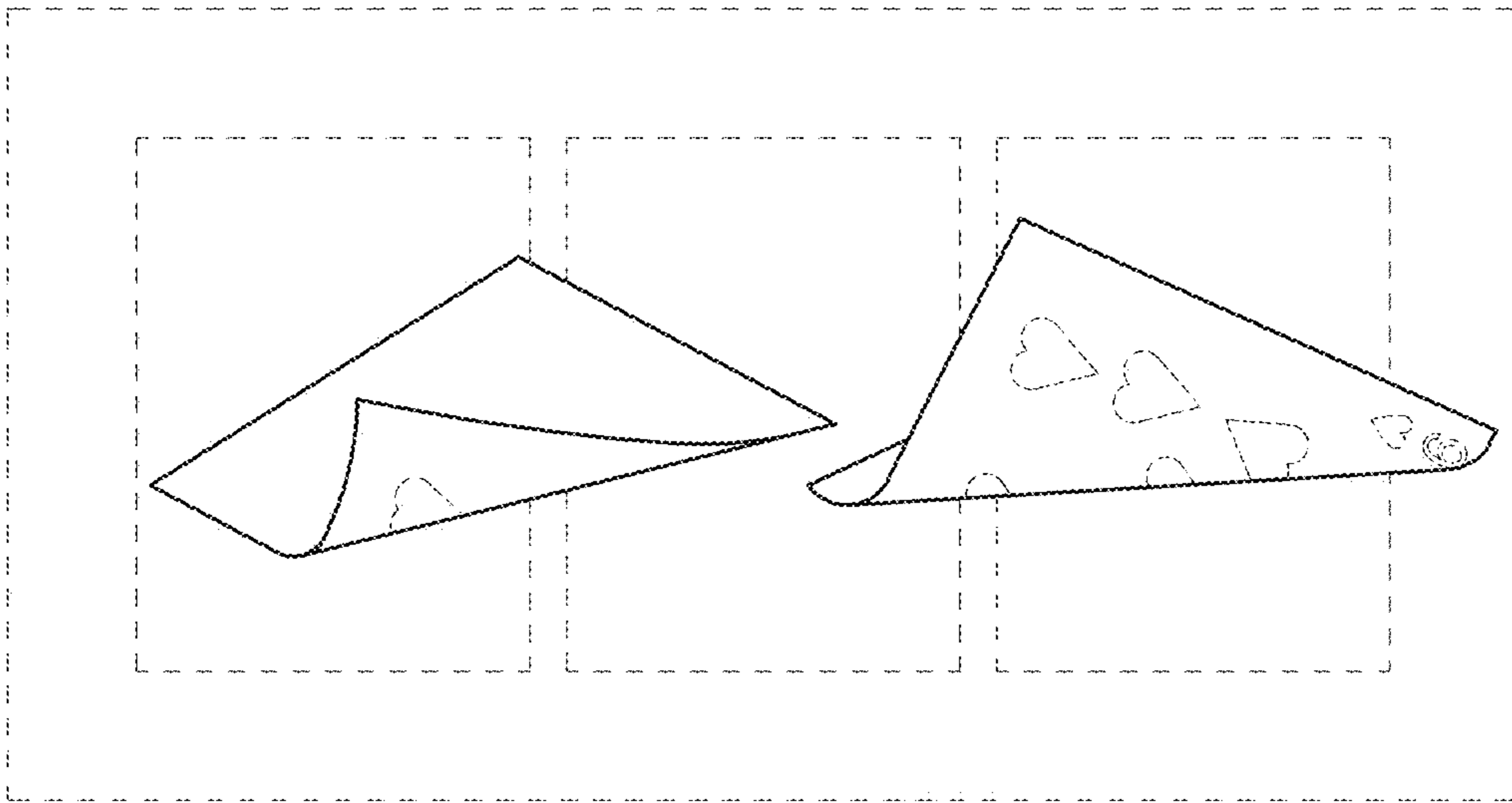


Fig. 3

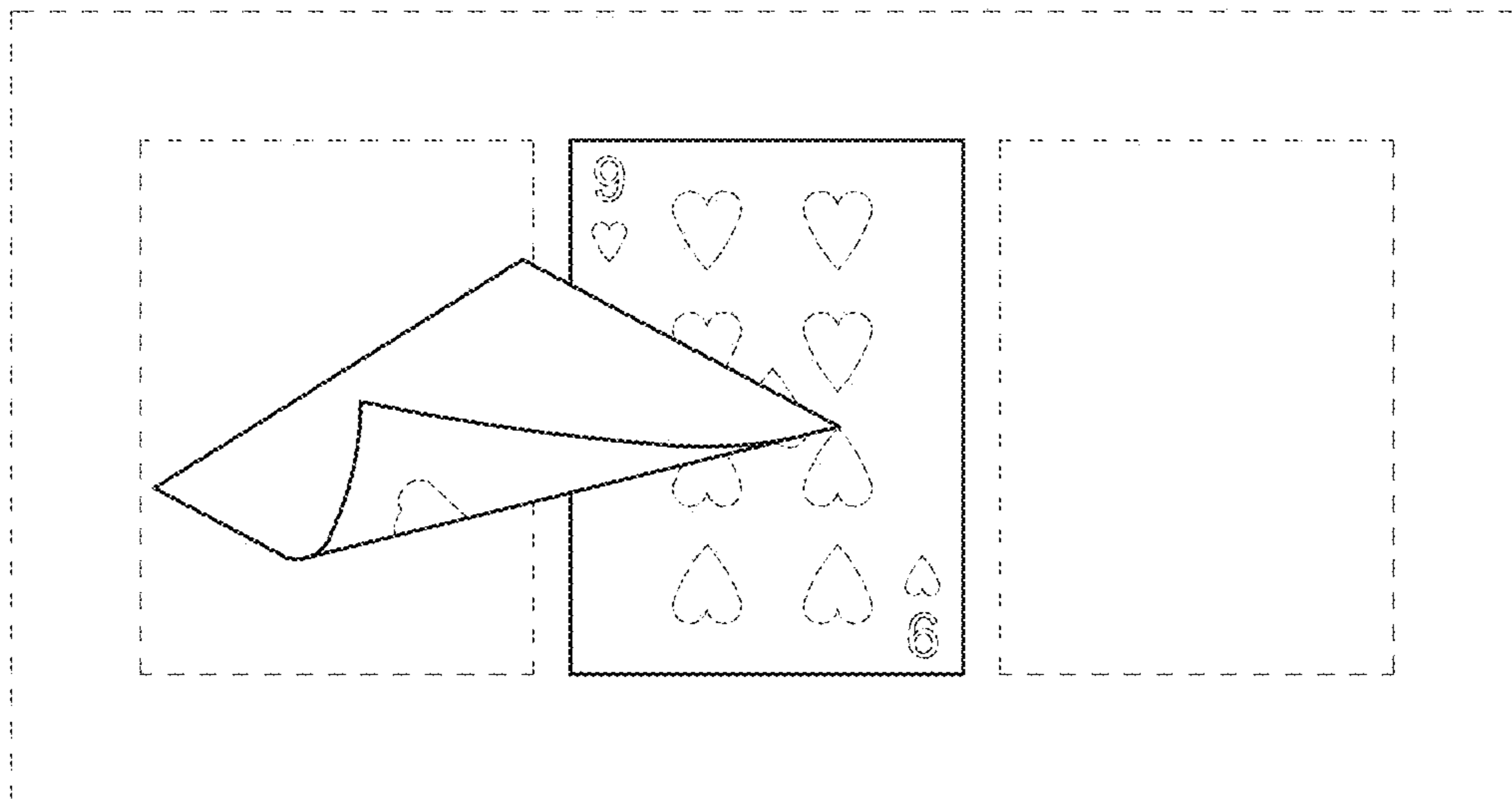


Fig. 4

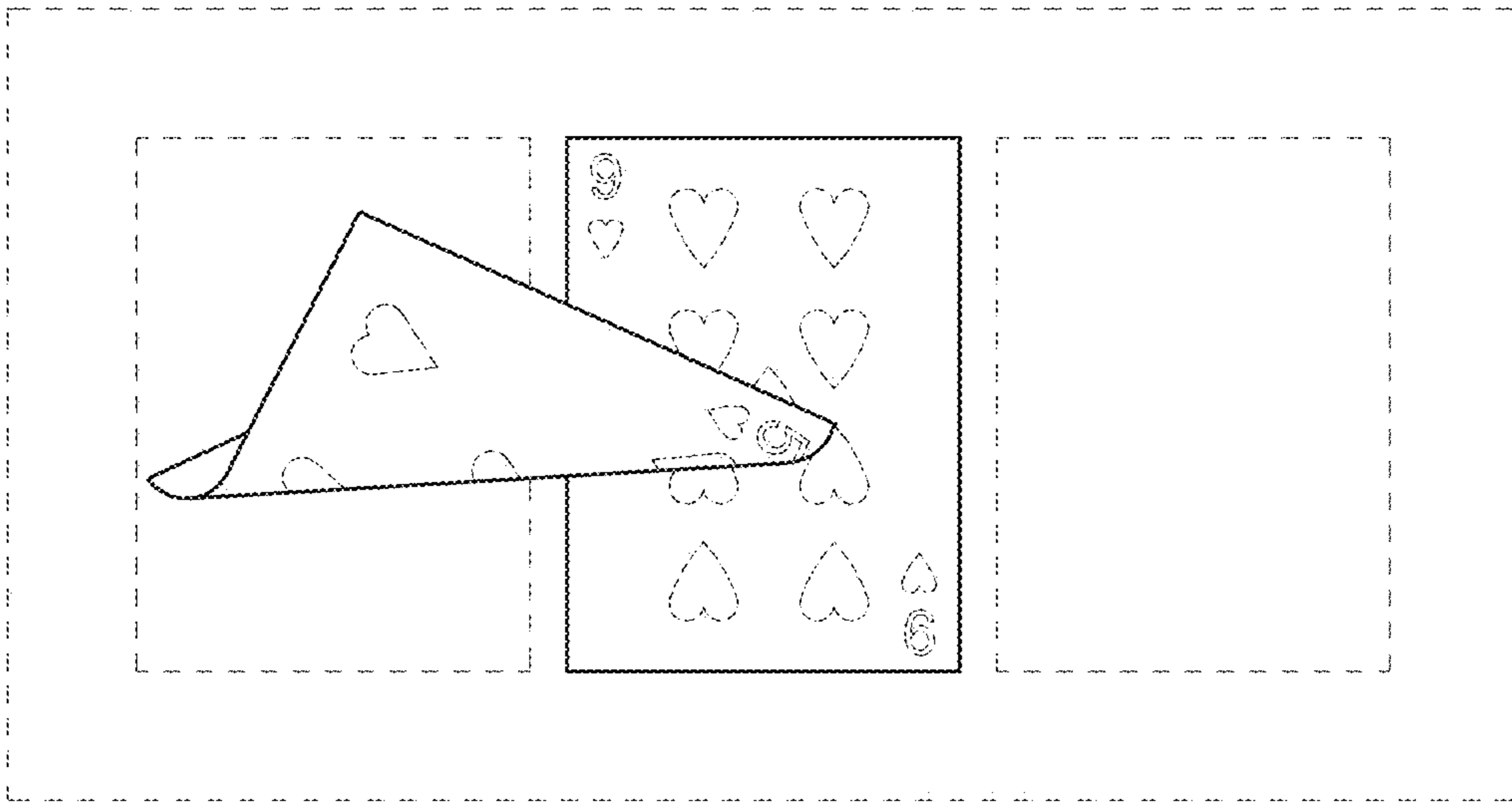


Fig. 5

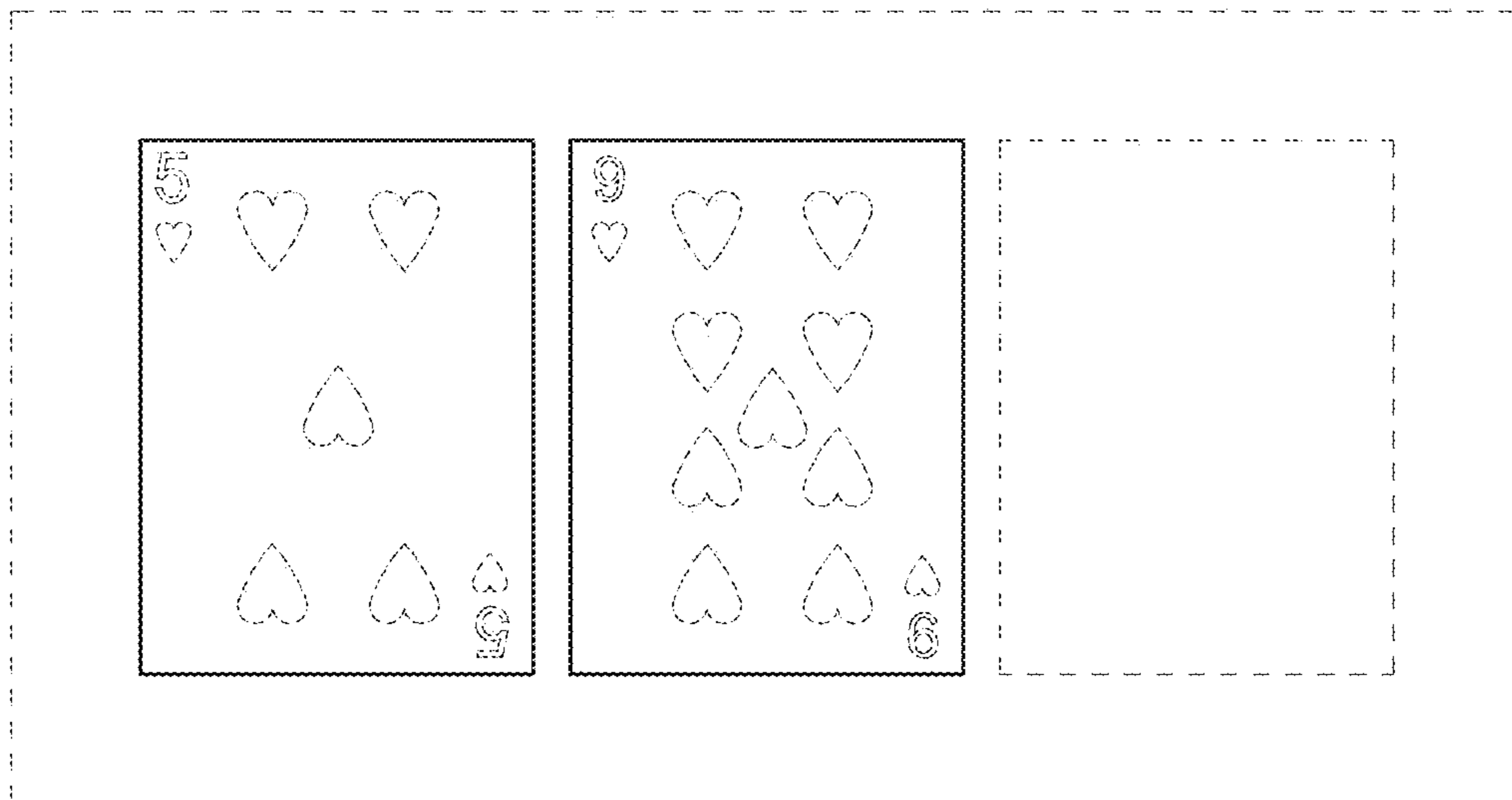


Fig. 6