



US00D985576S

(12) **United States Design Patent**
Harris

(10) **Patent No.:** **US D985,576 S**

(45) **Date of Patent:** **** May 9, 2023**

(54) **ADJUSTABLE MONITOR STAND**
(71) Applicant: **Paul Harris**, Manalapan, NJ (US)
(72) Inventor: **Paul Harris**, Manalapan, NJ (US)
(**) Term: **15 Years**
(21) Appl. No.: **29/784,353**

D585,173 S * 1/2009 Derry D34/17
D615,072 S * 5/2010 Saitou D14/239
D685,806 S * 7/2013 Kim D14/451
(Continued)

FOREIGN PATENT DOCUMENTS

CN 201262300 Y * 6/2009 F16M 11/04
CN 107701890 A * 2/2018
CN 113116540 A * 7/2021

OTHER PUBLICATIONS

Universal TV Stand with Mount 100 Degree Swivel Height Adjustable, posted Apr. 2, 2019 [online], [retrieved Dec. 5, 2022]. Retrieved from internet, <https://www.amazon.com/Universal-Degree-Adjustable-Function-HT1001B/dp/B07Q8FN9TM?th=1> (Year: 2019).*
(Continued)

Primary Examiner — Marie D. Fast Horse
Assistant Examiner — Josiah D. Parsons
(74) *Attorney, Agent, or Firm* — Goldstein Law Offices, P.C.

(22) Filed: **May 19, 2021**
(51) **LOC (14) Cl.** **14-02**
(52) **U.S. Cl.**
USPC **D14/452**; D14/451; D14/239
(58) **Field of Classification Search**
USPC D6/675.1; D14/125, 126, 239, 450, 451, D14/452, 336, 371, 374, 375, 376, 377, D14/209.1, 211, 224; D19/91; D34/12, D34/17, 21
CPC A47B 2200/0076; A47B 2200/0075; A47B 2200/0023; A47B 81/061; A47B 81/062; A47B 81/064; A47B 81/065; A47B 21/00; A47B 21/04; A47B 2021/0364; B62B 1/00; B62B 2206/06; F16M 11/00; F16M 11/28
See application file for complete search history.

(57) **CLAIM**

The ornamental design for an adjustable monitor stand, as shown and described.

DESCRIPTION

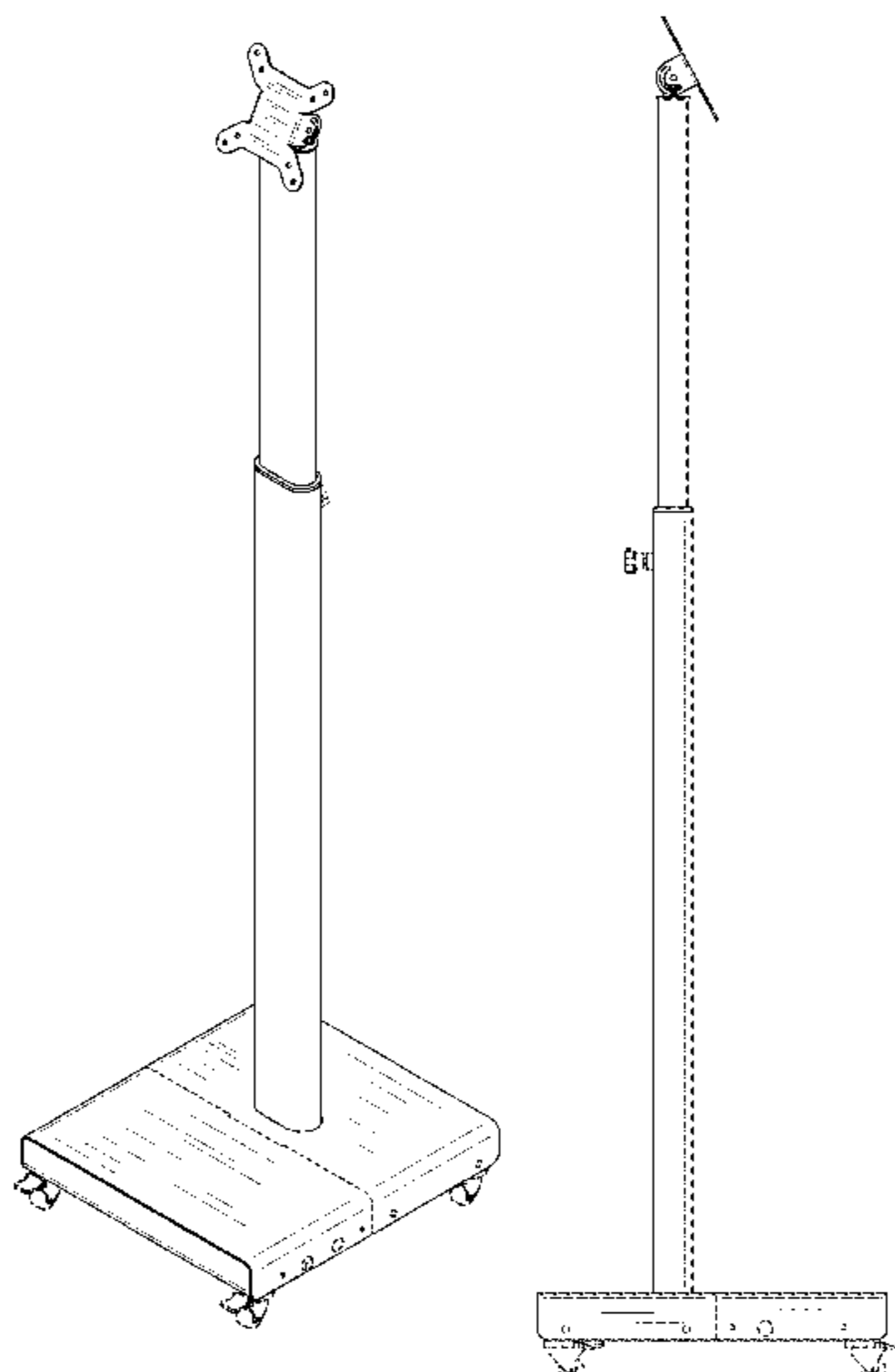
FIG. 1 is a perspective view of an adjustable monitor stand. FIG. 2 is a front elevational view of the adjustable monitor stand. FIG. 3 is a rear elevational view thereof. FIG. 4 is a top plan view thereof. FIG. 5 is a bottom plan view thereof. FIG. 6 is a left side elevational view thereof; and, FIG. 7 is a right side elevational view thereof. The broken lines in the drawings depict portions of the adjustable monitor stand that form no part of the claimed design.

(56) **References Cited**

U.S. PATENT DOCUMENTS

D280,563 S * 9/1985 Cobb D34/17
D295,415 S * 4/1988 Thies D14/452
D313,901 S * 1/1991 Bende D14/452
D317,687 S * 6/1991 Fabius D14/452
6,938,869 B2 9/2005 Lin
6,997,422 B2 2/2006 Sweere
D522,009 S * 5/2006 Chen D14/452
7,242,991 B2 7/2007 Budinger et al.
7,264,212 B2 * 9/2007 Hung F16M 11/10
D14/452
7,336,258 B1 2/2008 Goetsch
D568,324 S * 5/2008 Stenhouse D14/451
7,413,150 B1 8/2008 Hsu

1 Claim, 4 Drawing Sheets



(56)

References Cited

U.S. PATENT DOCUMENTS

D724,072 S 3/2015 Jiang
 D790,868 S 7/2017 Gorman
 9,949,561 B2 4/2018 Aldrich
 D837,223 S * 1/2019 Wu D14/451
 D845,958 S 4/2019 Dalton
 D866,537 S * 11/2019 Knapp D14/239
 D877,743 S * 3/2020 Pei D14/451
 D881,201 S 4/2020 Lou
 D894,402 S * 8/2020 Couch D24/185
 D902,218 S * 11/2020 Lee D14/451
 D921,621 S * 6/2021 Zou D14/239
 D928,128 S * 8/2021 Chen D14/239
 D933,459 S * 10/2021 Lyu D14/239
 D944,235 S * 2/2022 Shu D14/239
 D953,540 S * 5/2022 Behrendt D24/185
 D969,136 S * 11/2022 Jin D14/451
 D976,857 S * 1/2023 Lee D14/452

2003/0142468 A1 7/2003 Chin
 2005/0139742 A1 6/2005 Frisell
 2007/0252919 A1 11/2007 McGreevy
 2008/0239638 A1 10/2008 Chinuki
 2010/0116949 A1 5/2010 Wagner
 2015/0014493 A1 1/2015 Wu
 2015/0163935 A1 6/2015 Kasuga

OTHER PUBLICATIONS

Metal Pole Floor Stand—CTA Premium Thin Profile, posted Nov. 27, 2020 [online], [retrieved Dec. 5, 2022]. Retrieved from internet, <https://www.amazon.com/Premium-Profile-Floor-Stand-Plate/dp/B08P7ZDKX2> (Year: 2020).*

Mount-It TV Floor Stand Universal Pedestal TV Stand, posted Aug. 8, 2016 [online], [retrieved Dec. 5, 2022]. Retrieved from internet, <https://www.amazon.com/Universal-Pedestal-Adjustable-Compatible-200x200mm/dp/B01K05LT6I> (Year: 2016).*

* cited by examiner

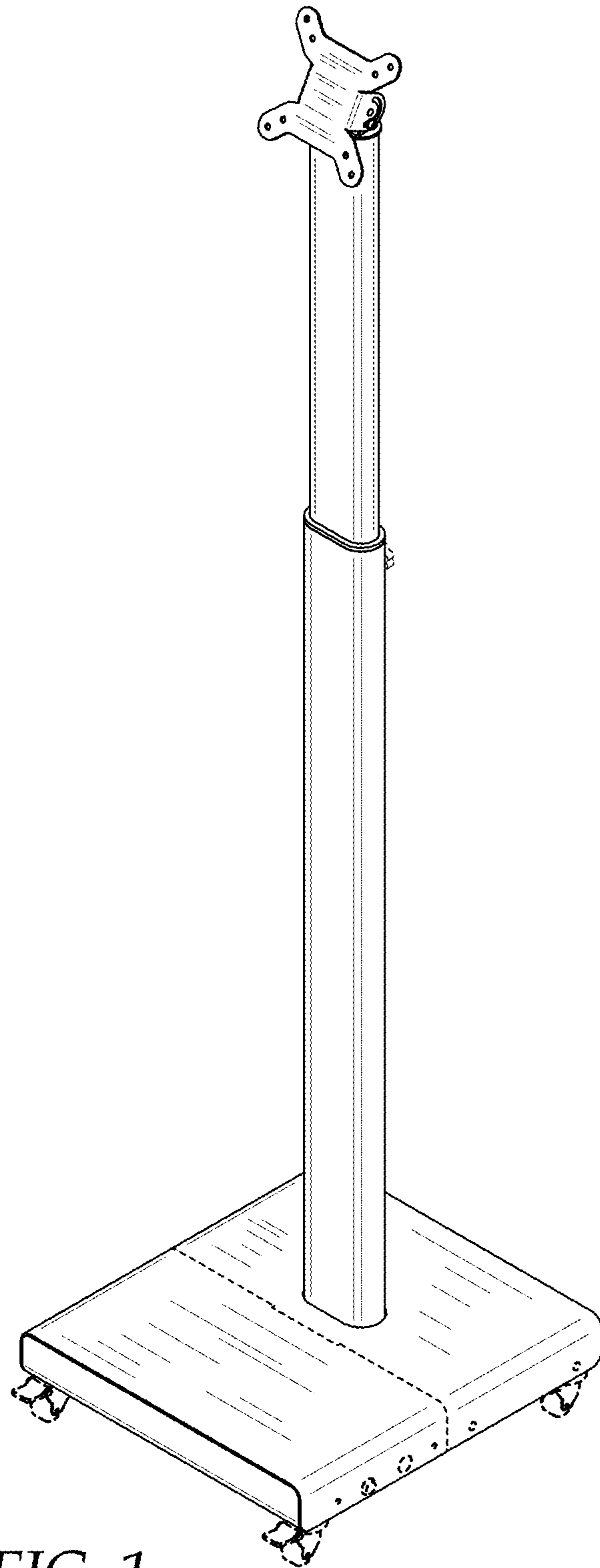


FIG. 1

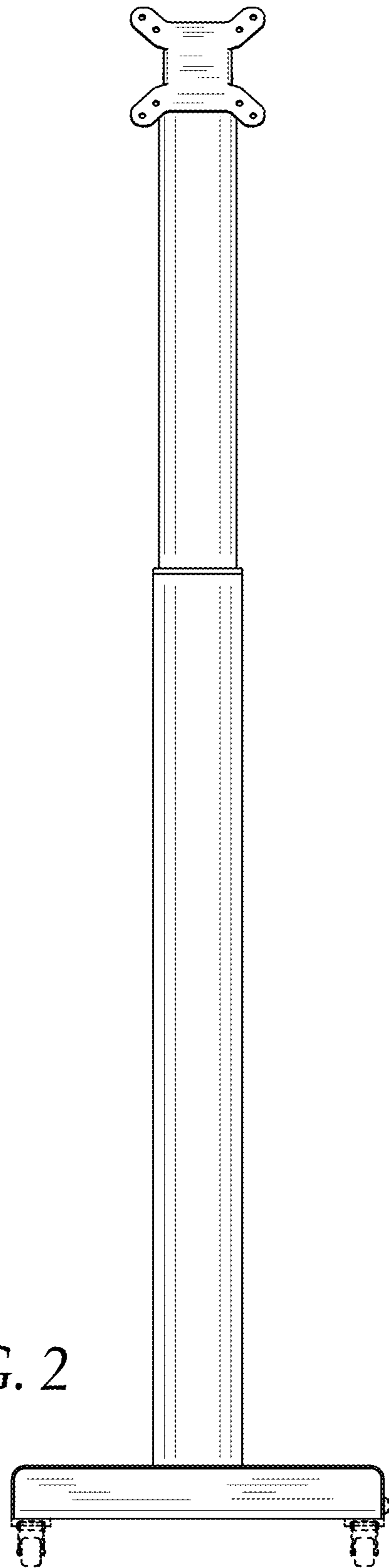


FIG. 2

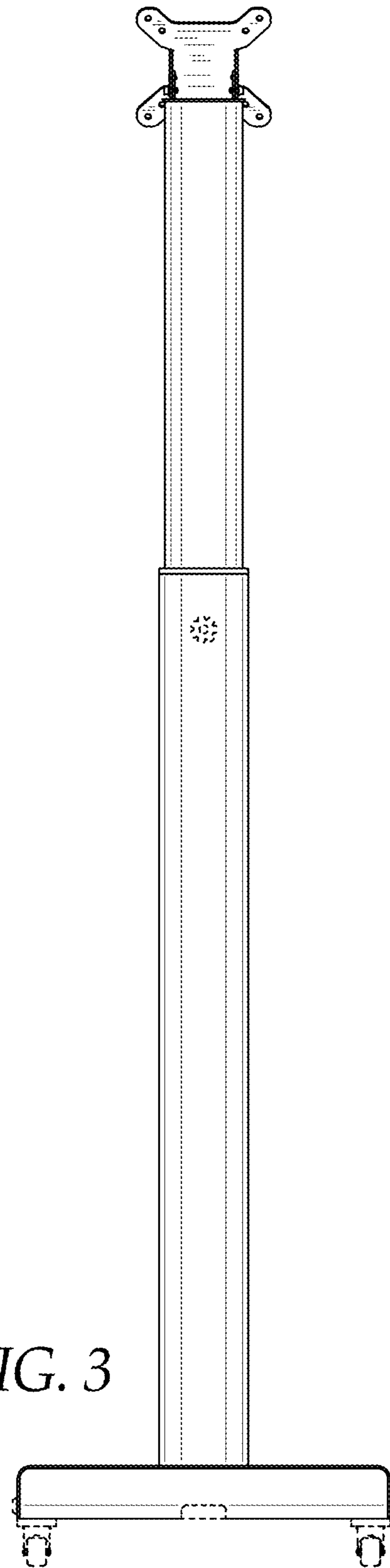


FIG. 3

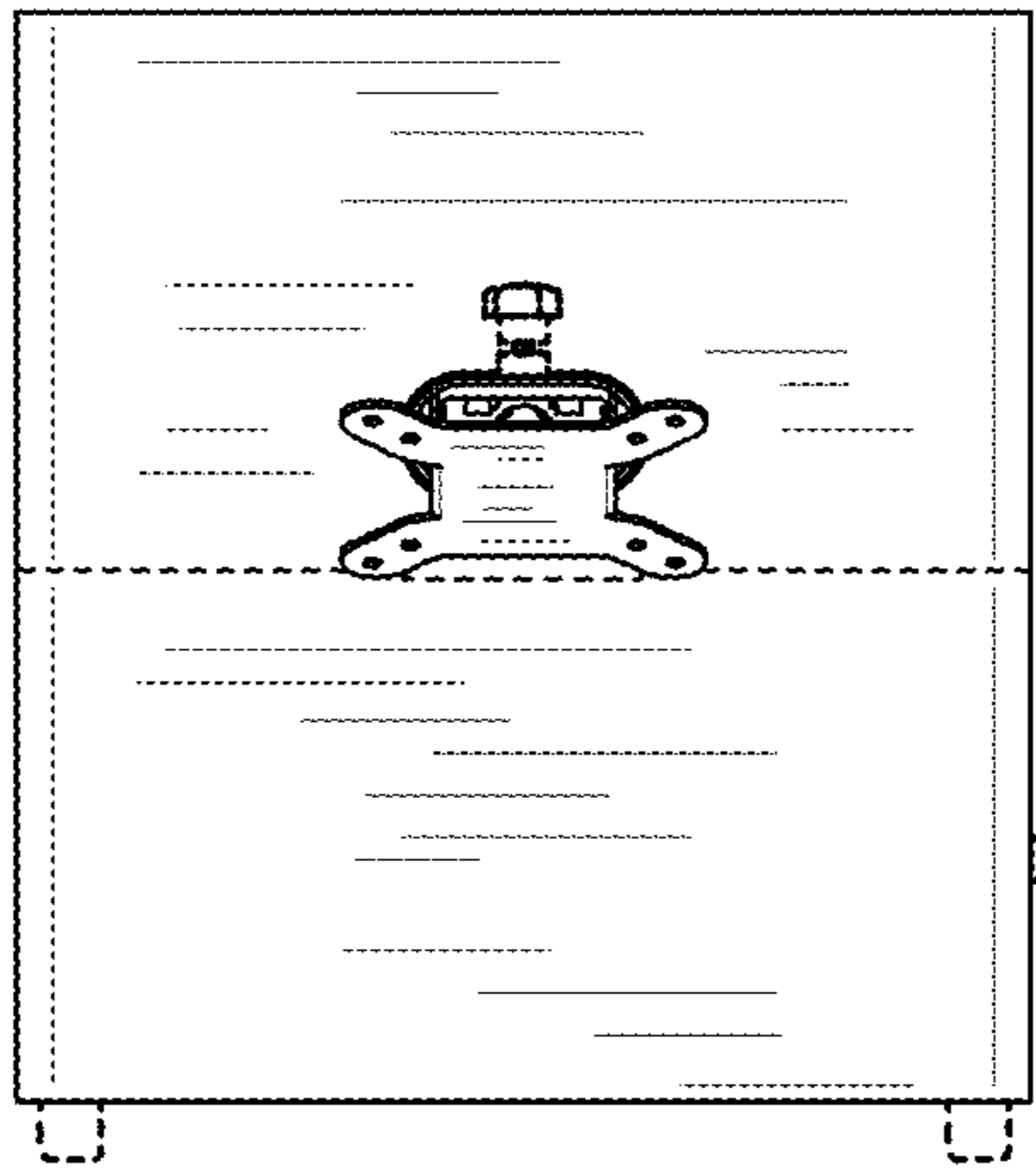


FIG. 4

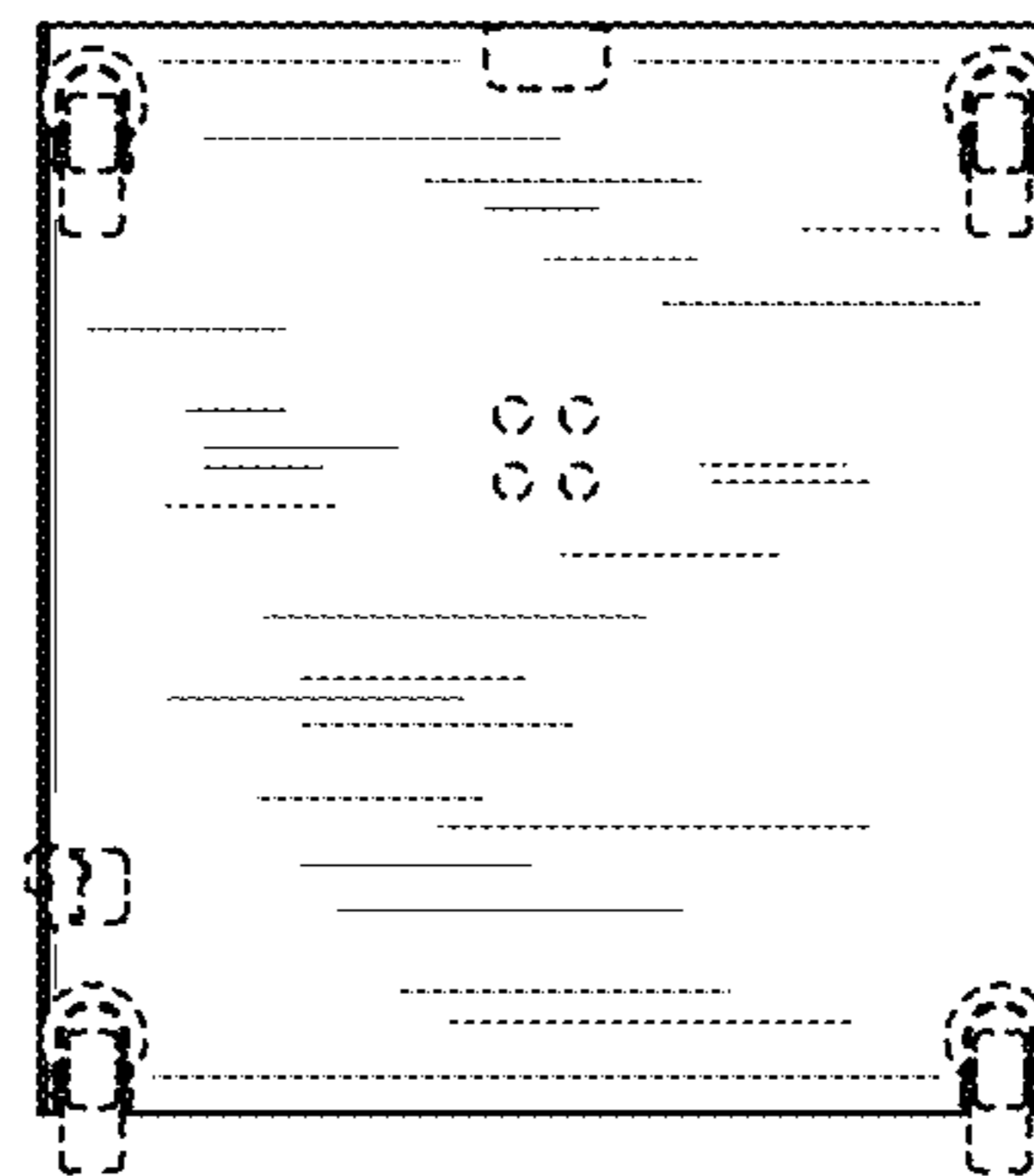


FIG. 5

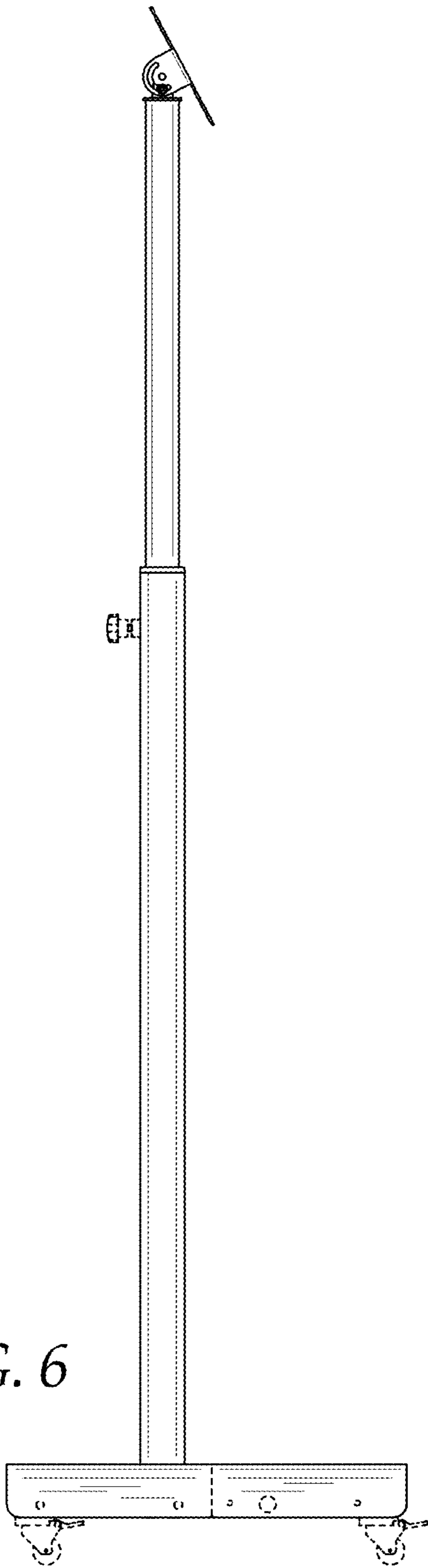


FIG. 6

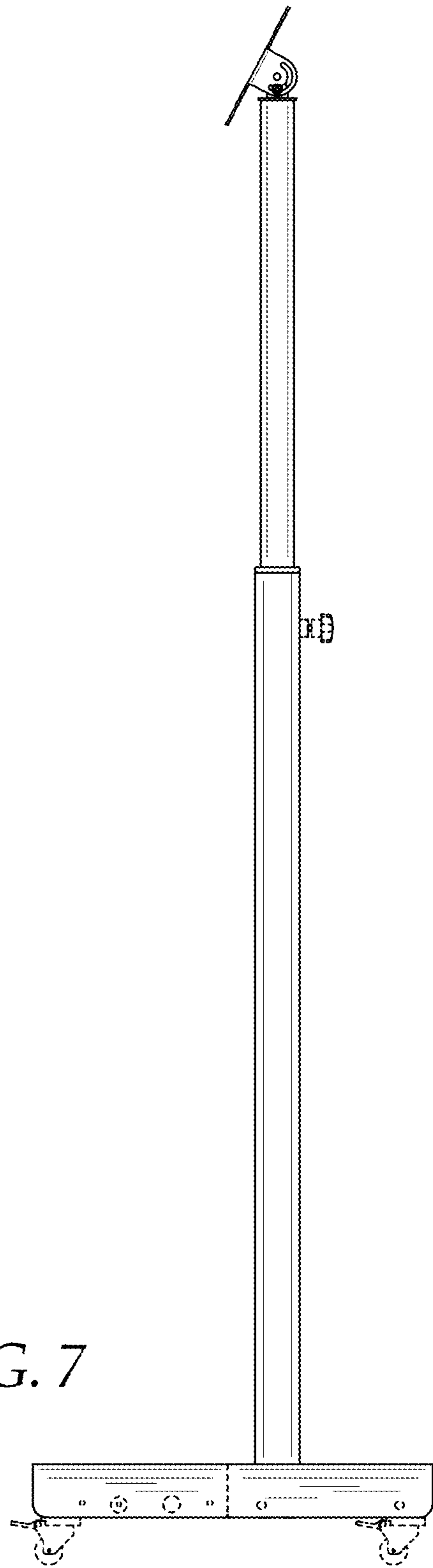


FIG. 7