



US00D985575S

(12) **United States Design Patent** (10) **Patent No.:** **US D985,575 S**
You (45) **Date of Patent:** **** May 9, 2023**

(54) **DISPLAY STAND**
(71) Applicant: **NINGBO TUOTUO RIVER DESIGN COMPANY, Zhejiang (CN)**
(72) Inventor: **Xiaodong You, Ningbo (CN)**
(73) Assignee: **NINGBO TUOTUO RIVER DESIGN COMPANY, Ningbo (CN)**

(**) Term: **15 Years**

(21) Appl. No.: **29/752,885**

(22) Filed: **Sep. 29, 2020**

(51) **LOC (14) Cl.** **14-02**

(52) **U.S. Cl.**
USPC **D14/451**

(58) **Field of Classification Search**
USPC D14/239, 371, 136, 375, 376, 451, 238;
D8/363, 373, 394, 379, 380; D3/218;
D6/672, 343, 681, 681.1, 681.2, 681.3
CPC .. F16M 11/04; F16M 2200/027; F16M 11/16;
F16M 11/10

See application file for complete search history.

(56) **References Cited**

U.S. PATENT DOCUMENTS

D539,125 S * 3/2007 Ly Hau D8/373
D742,364 S * 11/2015 Reinhertz D14/239
D820,818 S * 6/2018 Heckler D14/239
D820,846 S * 6/2018 Lee D14/451
D880,462 S * 4/2020 Nakamura D14/239
D905,070 S * 12/2020 Pei D14/451
D913,999 S * 3/2021 Pei D14/239
D914,655 S * 3/2021 Pei D14/239
D915,363 S * 4/2021 Pei D14/239
D916,690 S * 4/2021 Kuroda D14/239
D924,245 S * 7/2021 Choi D14/451
D936,043 S * 11/2021 Zhang D14/239
D946,230 S * 3/2022 Xu D34/12
D971,225 S * 11/2022 You D14/451

2007/0075209 A1* 4/2007 Kapp F16M 11/046
248/460
2007/0152112 A1* 7/2007 Bober F16M 11/18
248/125.2
2012/0255919 A1* 10/2012 Jones F16M 11/10
211/26

(Continued)

FOREIGN PATENT DOCUMENTS

EM 008262984-002 * 1/2021

OTHER PUBLICATIONS

Artistic Easel Studio TV Stand by Vivo, first available: May 23, 2019. Amazon.com [online], [site visited Dec. 14, 2021], Internet URL: https://www.amazon.com/gp/product/B07S972T3C/ref=as_li_qf_asin_il_tl (Year: 2019).*

(Continued)

Primary Examiner — Mary Ann Calabrese
Assistant Examiner — Hillary Catherine Shepard
(74) *Attorney, Agent, or Firm* — Knobbe Martens Olson & Bear LLP

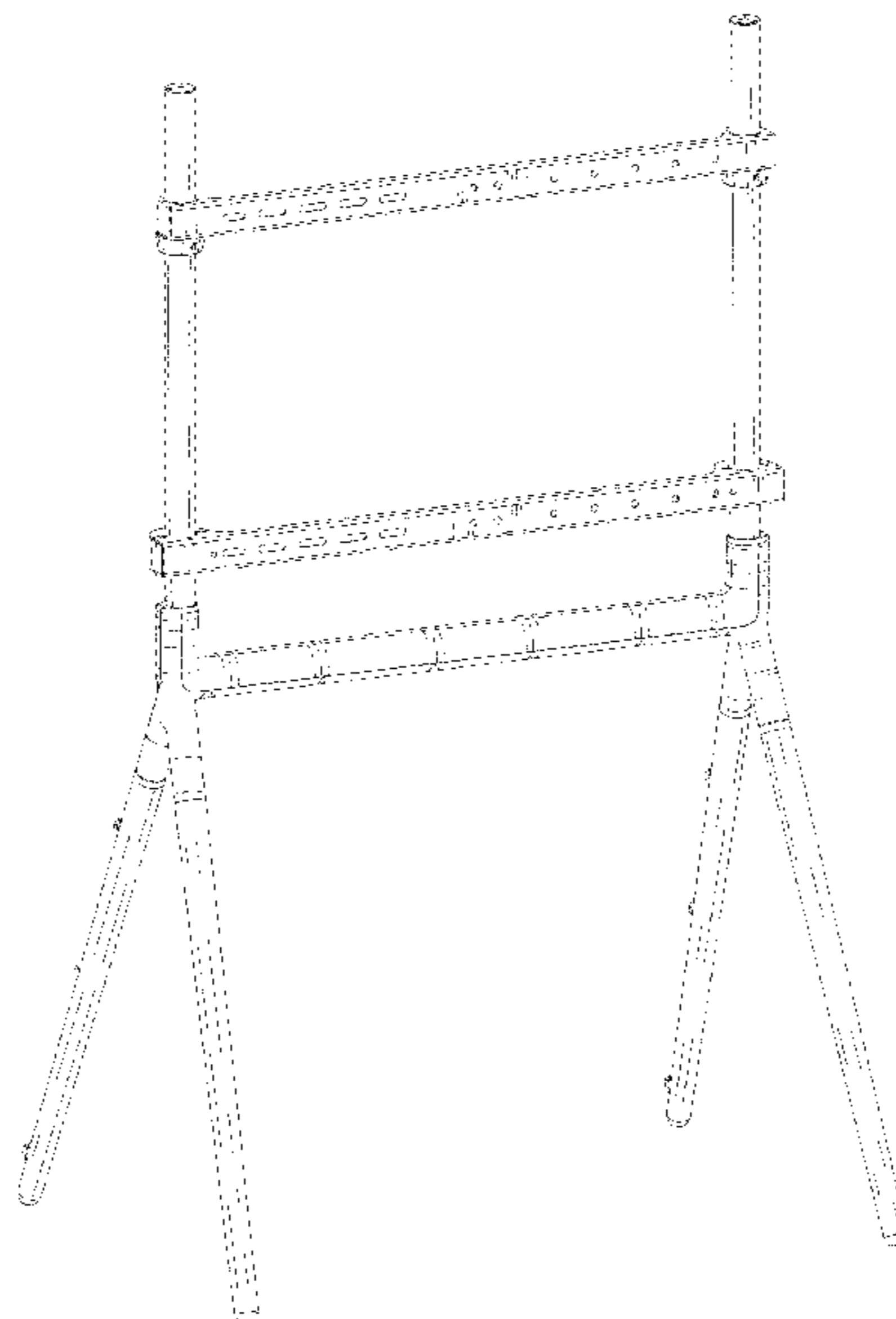
(57) **CLAIM**

The ornamental design for a display stand, as shown and described.

DESCRIPTION

FIG. 1 is a front perspective view of a display stand showing my new design;
FIG. 2 is a back perspective view of thereof;
FIG. 3 is a front view thereof;
FIG. 4 is a back view thereof;
FIG. 5 is a left side view thereof;
FIG. 6 is a right side view thereof;
FIG. 7 is a top view thereof; and,
FIG. 8 is a bottom view thereof.

1 Claim, 8 Drawing Sheets



(56)

References Cited

U.S. PATENT DOCUMENTS

2013/0299651 A1* 11/2013 McGowan H02G 3/04
248/201
2014/0102995 A1* 4/2014 Whalen F16M 11/10
211/26
2014/0138500 A1* 5/2014 Grey F16M 11/24
248/201
2017/0051870 A1* 2/2017 Xiang F16M 13/02
2017/0318961 A1* 11/2017 Ramirez F16M 11/24
2019/0203873 A1* 7/2019 Pei F16M 11/126
2020/0132245 A1* 4/2020 Runger F16M 11/04
2020/0208774 A1* 7/2020 Pei F16M 11/2092
2020/0233285 A1* 7/2020 Hansen F16M 11/048
2020/0340614 A1* 10/2020 Pei F16M 11/04
2020/0340617 A1* 10/2020 Pei F16M 11/2085
2021/0010632 A1* 1/2021 Pei F16M 13/02
2021/0190257 A1* 6/2021 You F16M 11/16
2022/0065390 A1* 3/2022 You F16M 11/22

OTHER PUBLICATIONS

Studio Steel Quad TV Floor Stand by AVLT, first available: Oct. 17, 2020. Amazon.com [online], [site visited Dec. 14, 2021], Internet URL: https://www.amazon.com/AVLT-Studio-Steel-Floor-Screens/dp/B08LBH6KRF/ref=sr_1_20 (Year: 2020).*

Sawhorse Artistic TV Stand by Displays2go, first available: Aug. 13, 2019. Amazon.com [online], [site visited Dec. 14, 2021], Internet URL: https://www.amazon.com/Displays2go-Sawhorse-Artistic-TV-Stand/dp/B07WDD919K/ref=sr_1_19 (Year: 2019).*

FS12 Series Artistic Easel Studio TV Stand by Lumi, first available: Jun. 16, 2020. Youtube.com [online], [site visited Dec. 14, 2021], Internet URL: <https://www.youtube.com/watch?v=vzM0Pib8p2Y> (Year: 2020).*

* cited by examiner

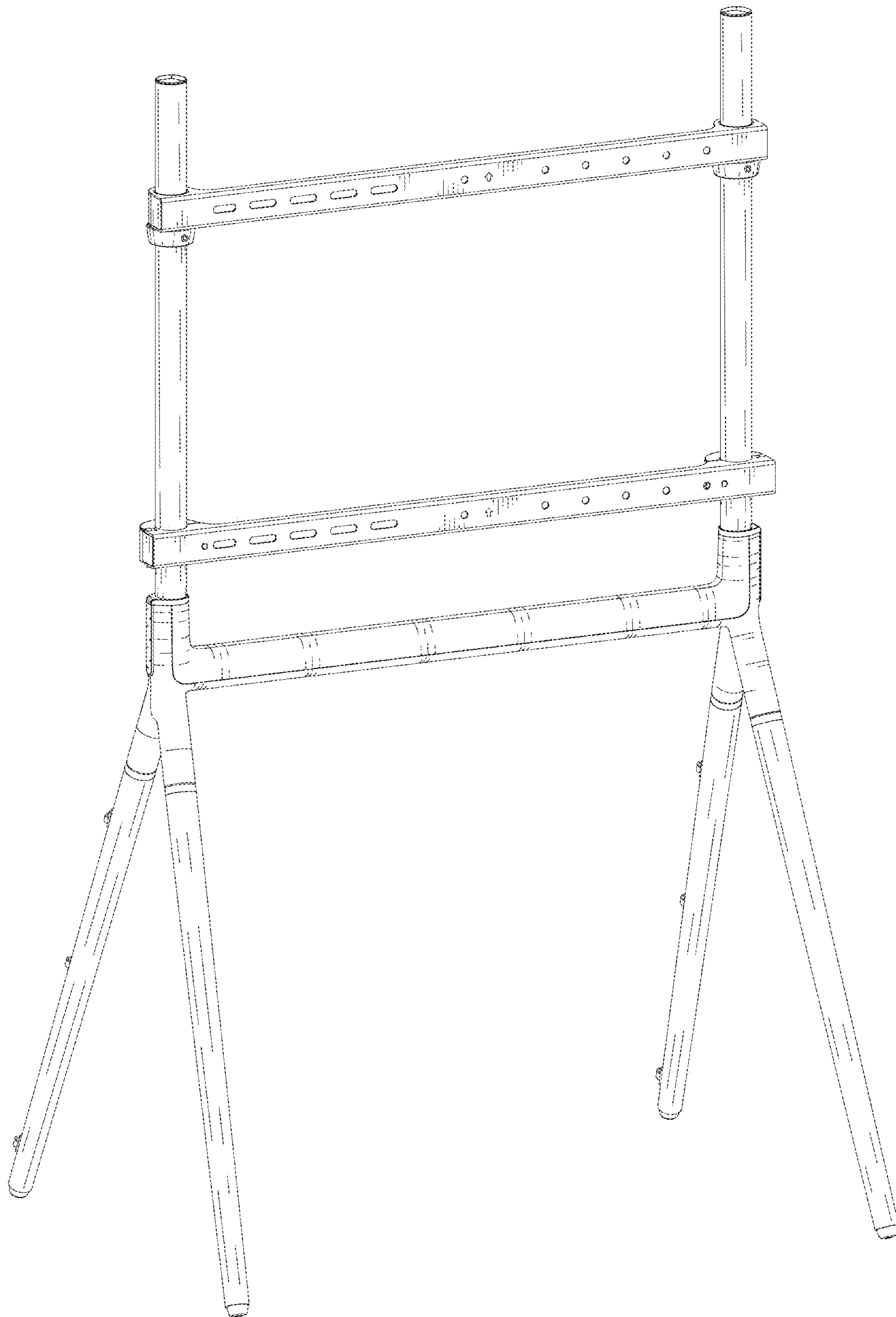


Fig. 1

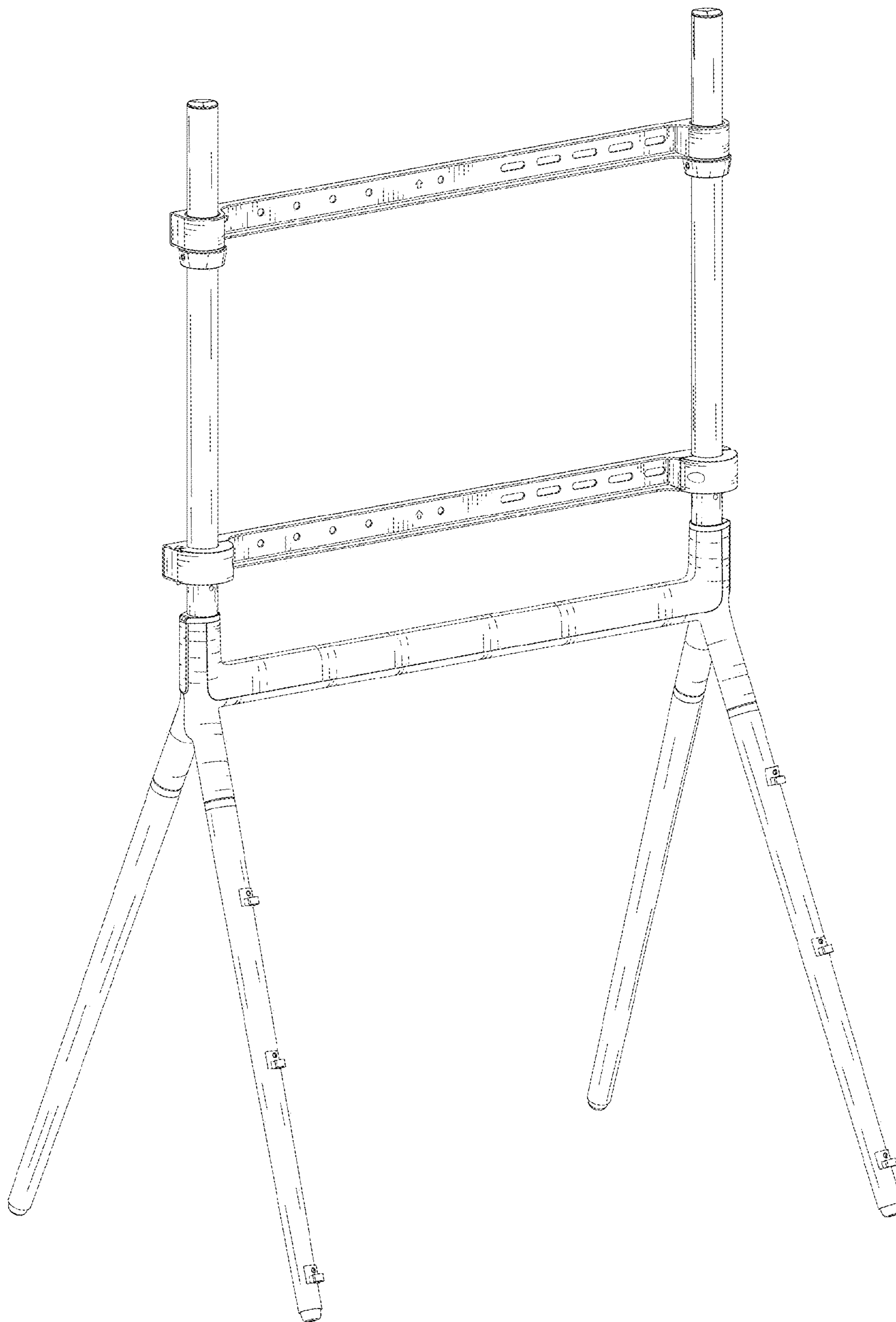


Fig. 2

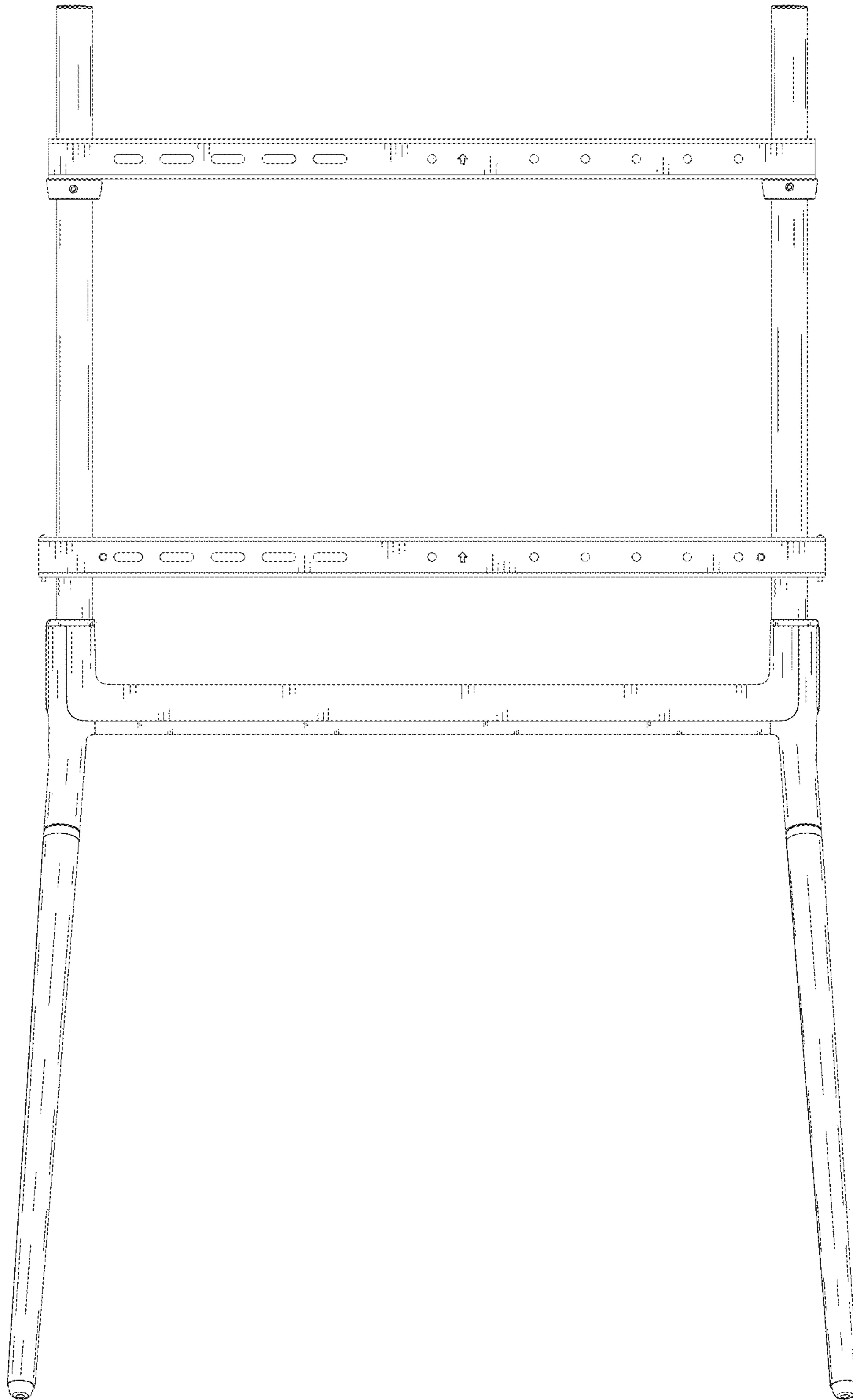


Fig. 3

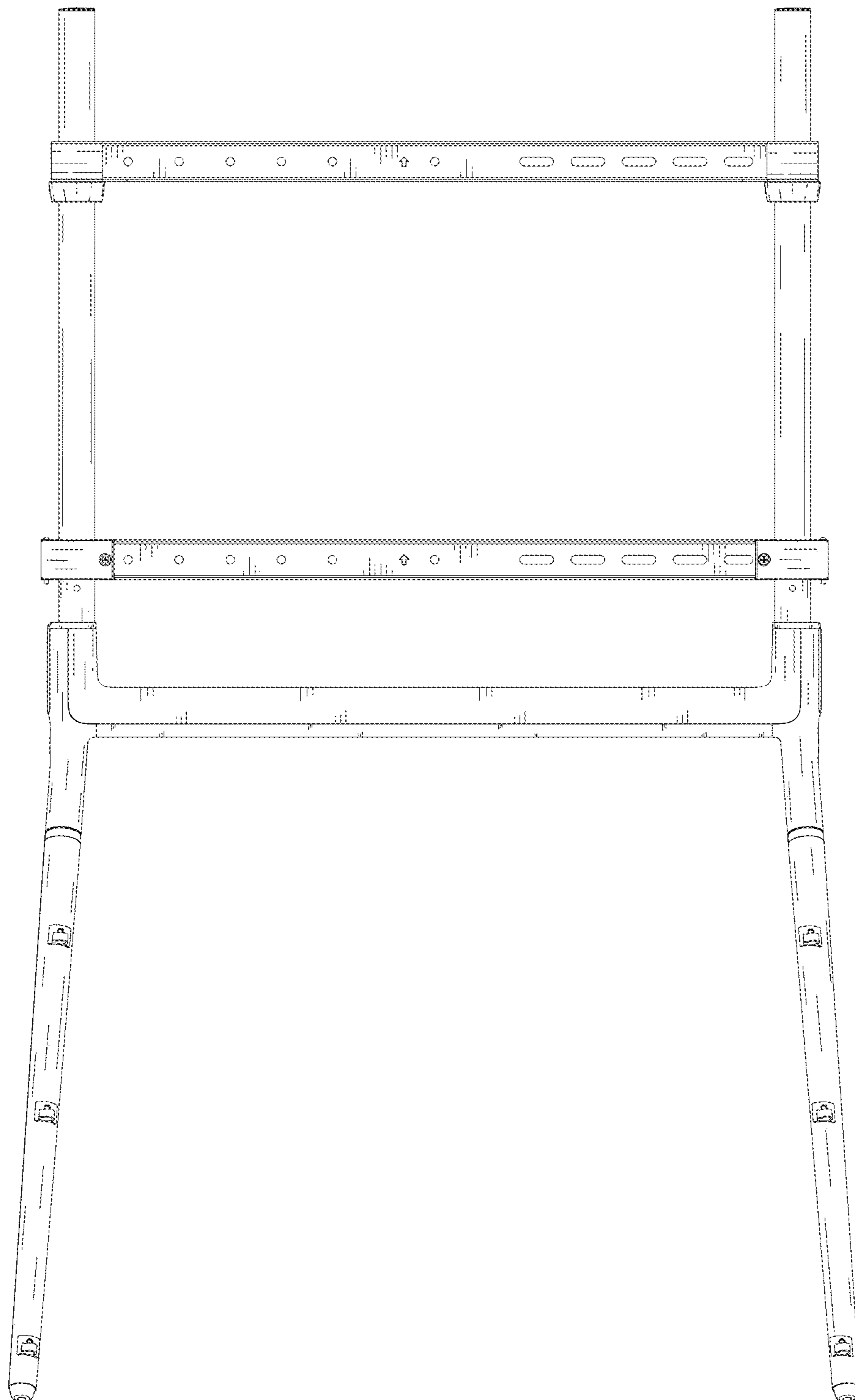


Fig. 4

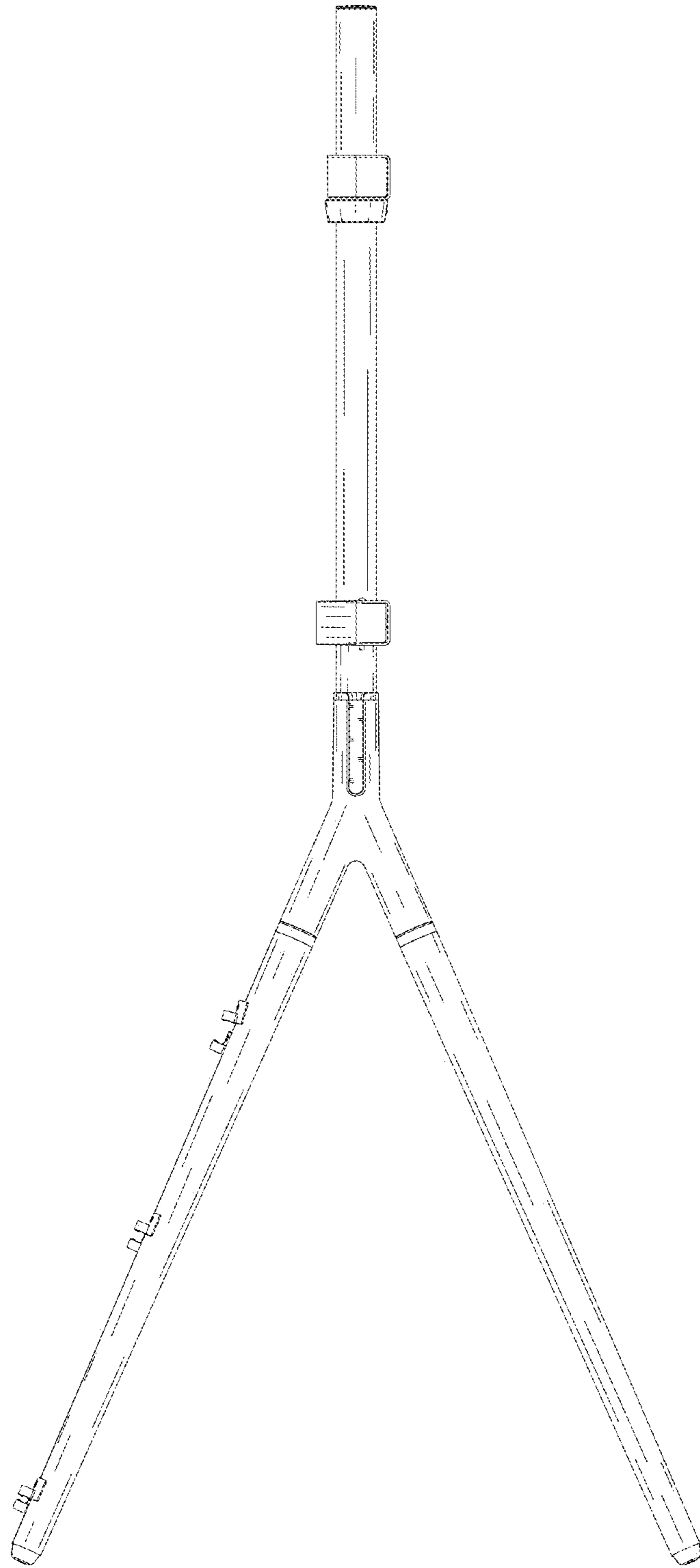


Fig. 5

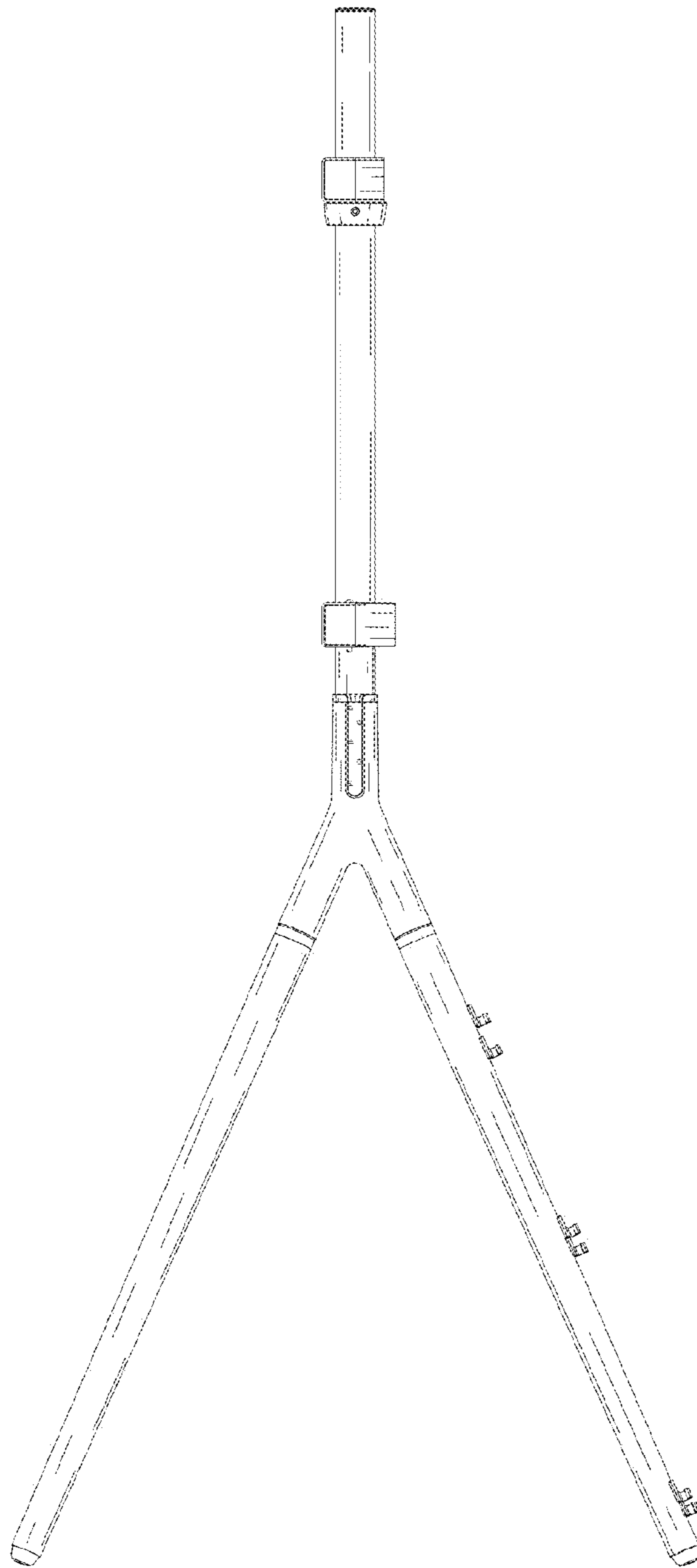


Fig. 6

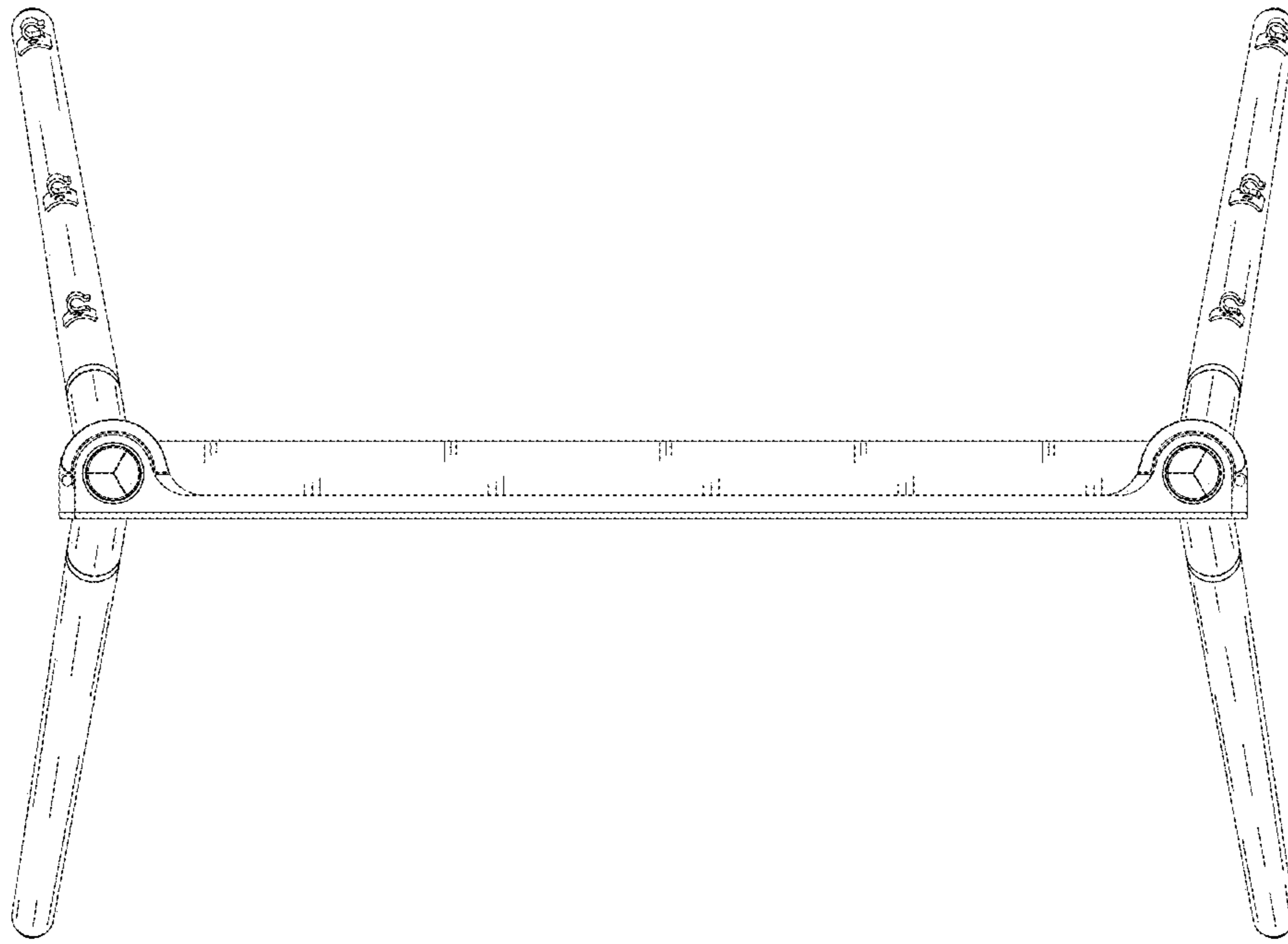


Fig. 7

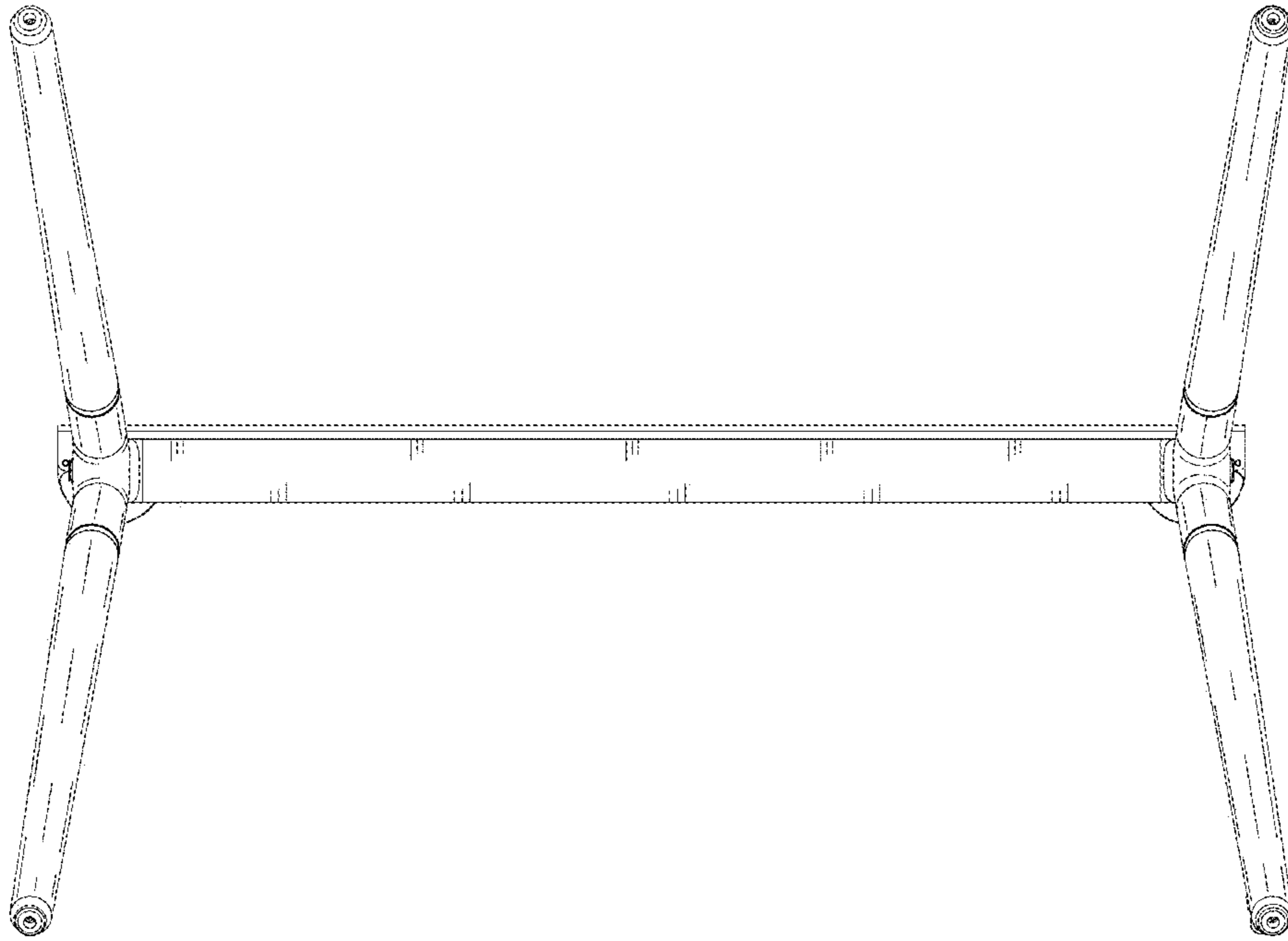


Fig. 8