



US00D985573S

(12) **United States Design Patent**
Koby et al.

(10) **Patent No.:** **US D985,573 S**

(45) **Date of Patent:** **** May 9, 2023**

(54) **MOUNT FOR ELECTRONIC DEVICES**

(71) Applicant: **Innovelis, Inc.**, Sammamish, WA (US)

(72) Inventors: **Jack Snyder Koby**, Bellevue, WA (US); **Eric John Wengreen**, Sammamish, WA (US)

(73) Assignee: **Innovelis, Inc.**, Sammamish, WA (US)

(**) Term: **15 Years**

(21) Appl. No.: **29/813,818**

(22) Filed: **Nov. 1, 2021**

(51) **LOC (14) Cl.** **14-03**

(52) **U.S. Cl.**
USPC **D14/447**

(58) **Field of Classification Search**
USPC D14/447, 432, 434, 439, 440, 451, 452, D14/457, 239, 251, 253, 224, 224.1, 238; D8/363, 373, 380; D6/406.3, 406.4, D6/406.5, 406.6; D12/415; D19/91; D3/218
CPC A47B 21/04; A47B 2097/006; A47B 2097/005; A47B 2023/049; A45C 2011/002; A45C 2011/003; F16M 2200/00; F16M 13/00; A45F 2200/0516; A45F 2200/0525
See application file for complete search history.

(56) **References Cited**

U.S. PATENT DOCUMENTS

D279,630 S	7/1985	Bart	
D421,272 S	2/2000	Patel	
D453,155 S	1/2002	Michel	
D552,611 S	10/2007	Hagiwara	
D572,311 S	7/2008	Curless	
D579,004 S	10/2008	Bang	
D583,821 S	* 12/2008	Richter	D14/447
D637,601 S	* 5/2011	Symons	D14/447

8,061,721 B2	11/2011	Ganz	
D656,125 S	3/2012	Komiyama	
D673,571 S	* 1/2013	Akana	D14/447
D684,145 S	6/2013	Rath	
D688,202 S	8/2013	Mecca	
D723,011 S	2/2015	Symons	
D764,133 S	8/2016	Goodman	
D776,080 S	1/2017	Enquist	
D785,380 S	* 5/2017	King	D6/681
D809,905 S	2/2018	Gunderson	
D854,520 S	* 7/2019	Tong	D14/224
D855,038 S	* 7/2019	Hu	D14/224
D857,610 S	8/2019	Meldrum	
10,425,715 B2	9/2019	Green	
D876,424 S	2/2020	Ryan	
D885,481 S	5/2020	Tung	
D905,021 S	12/2020	Wengreen	

(Continued)

Primary Examiner — Angela J Lee

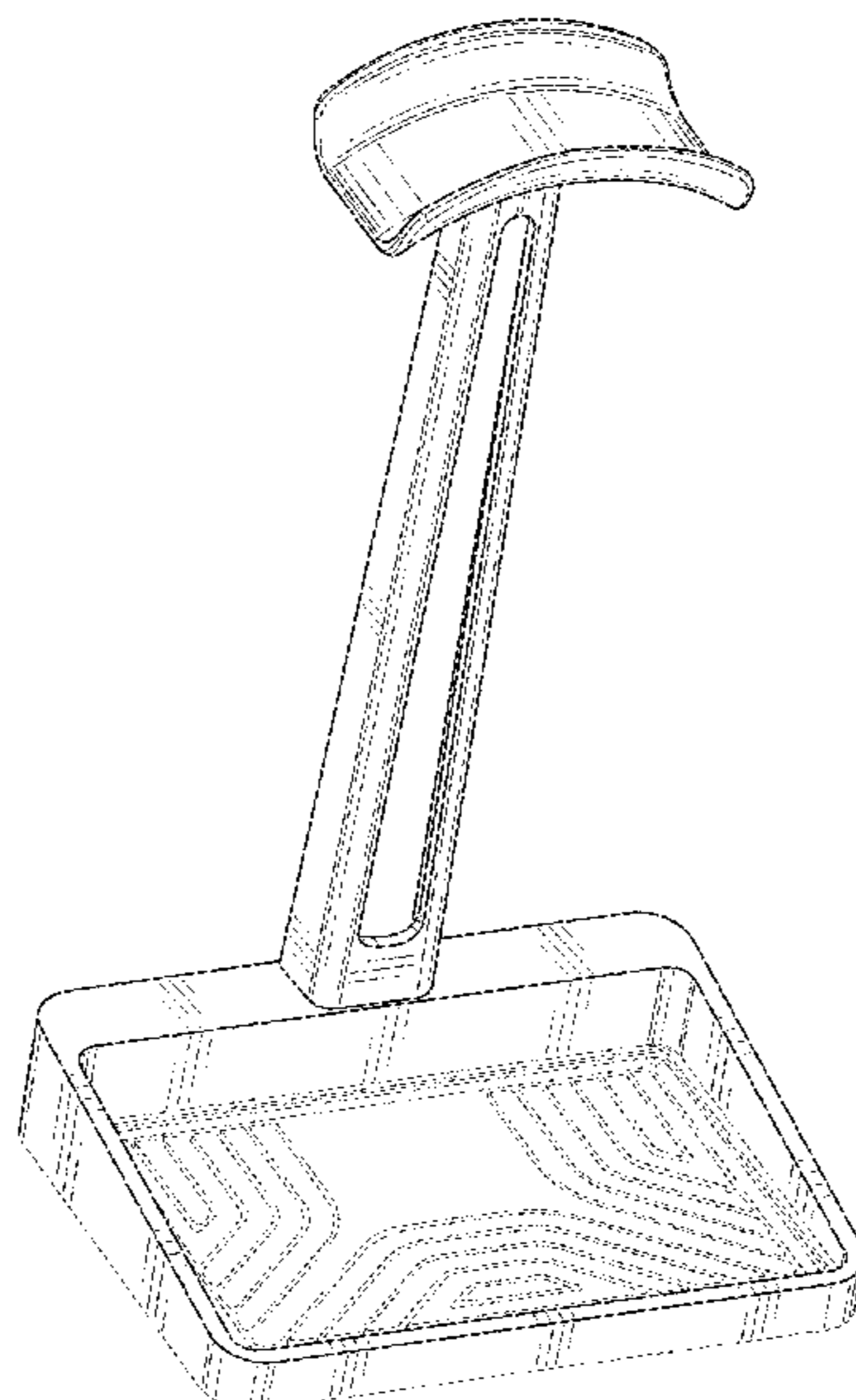
(57) **CLAIM**

The ornamental design for a mount for electronic devices, as shown and described.

DESCRIPTION

FIG. 1 is a front, first side, and top perspective view of a mount for electronic devices embodying the new design; FIG. 2 is a back, second side, and bottom perspective view thereof; FIG. 3 is a front, first side, and bottom perspective view thereof; FIG. 4 is a back view thereof; FIG. 5 is a front view thereof; FIG. 6 is a second side view thereof; FIG. 7 is a first side view thereof; FIG. 8 is a top view thereof; and, FIG. 9 is a bottom view thereof. The uniform repeating broken lines depict portions of a mount for electronic devices in which the claimed design is embodied and form no part of the claimed design.

1 Claim, 9 Drawing Sheets



(56)

References Cited

U.S. PATENT DOCUMENTS

D907,013 S	1/2021	Lu	
D915,359 S *	4/2021	Zhang	D14/224
D922,361 S *	6/2021	Jin	D14/224
D933,049 S	10/2021	Wengreen	
D934,234 S *	10/2021	Deng	D14/447
D951,920 S	5/2022	Turksu	
D963,617 S *	9/2022	Liu	D14/224
D967,075 S *	10/2022	Entelis	D14/224
D969,784 S *	11/2022	Yang	D14/224
2005/0103957 A1 *	5/2005	Chang	F16M 11/22 248/311.2

* cited by examiner

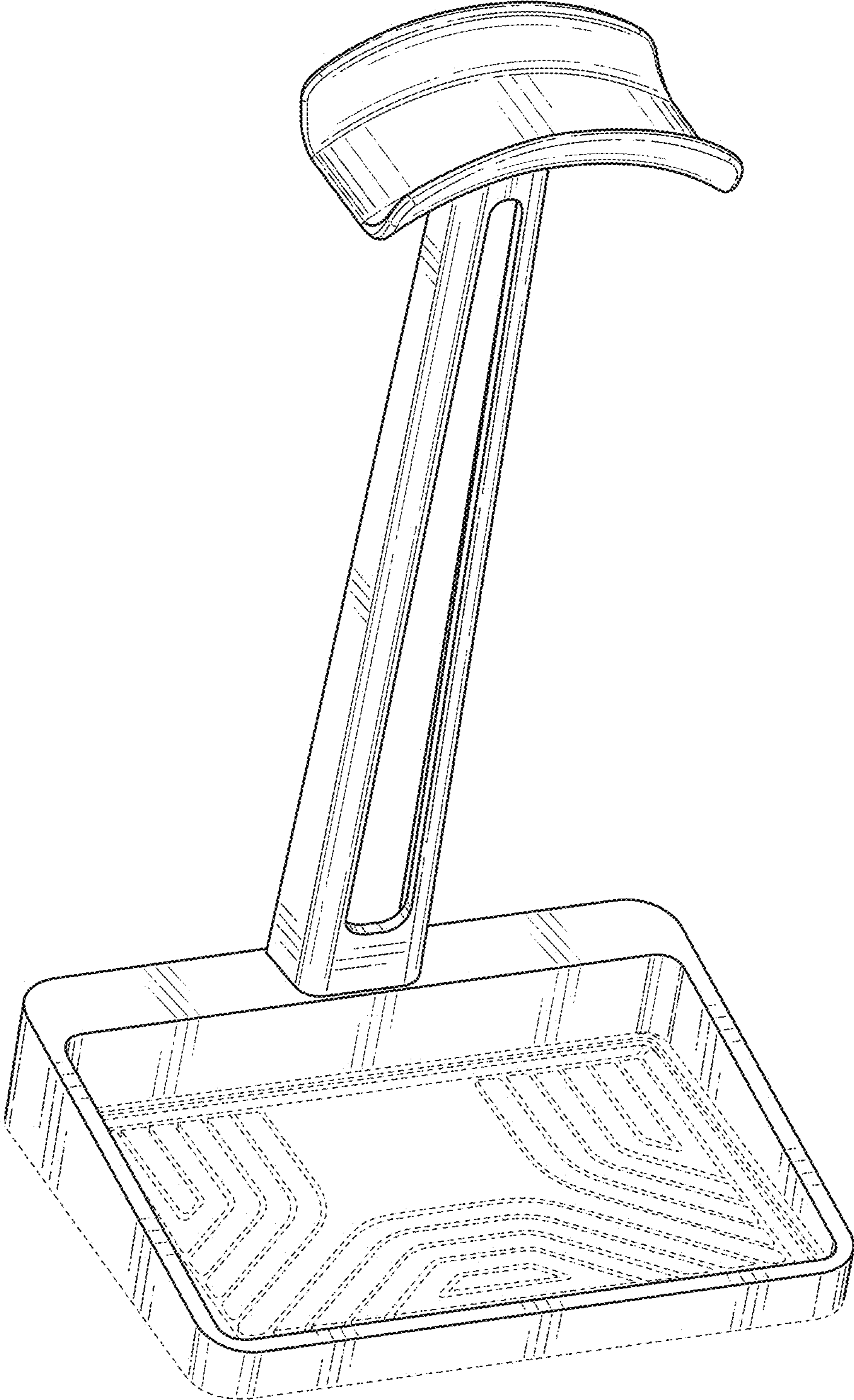


FIG. 1

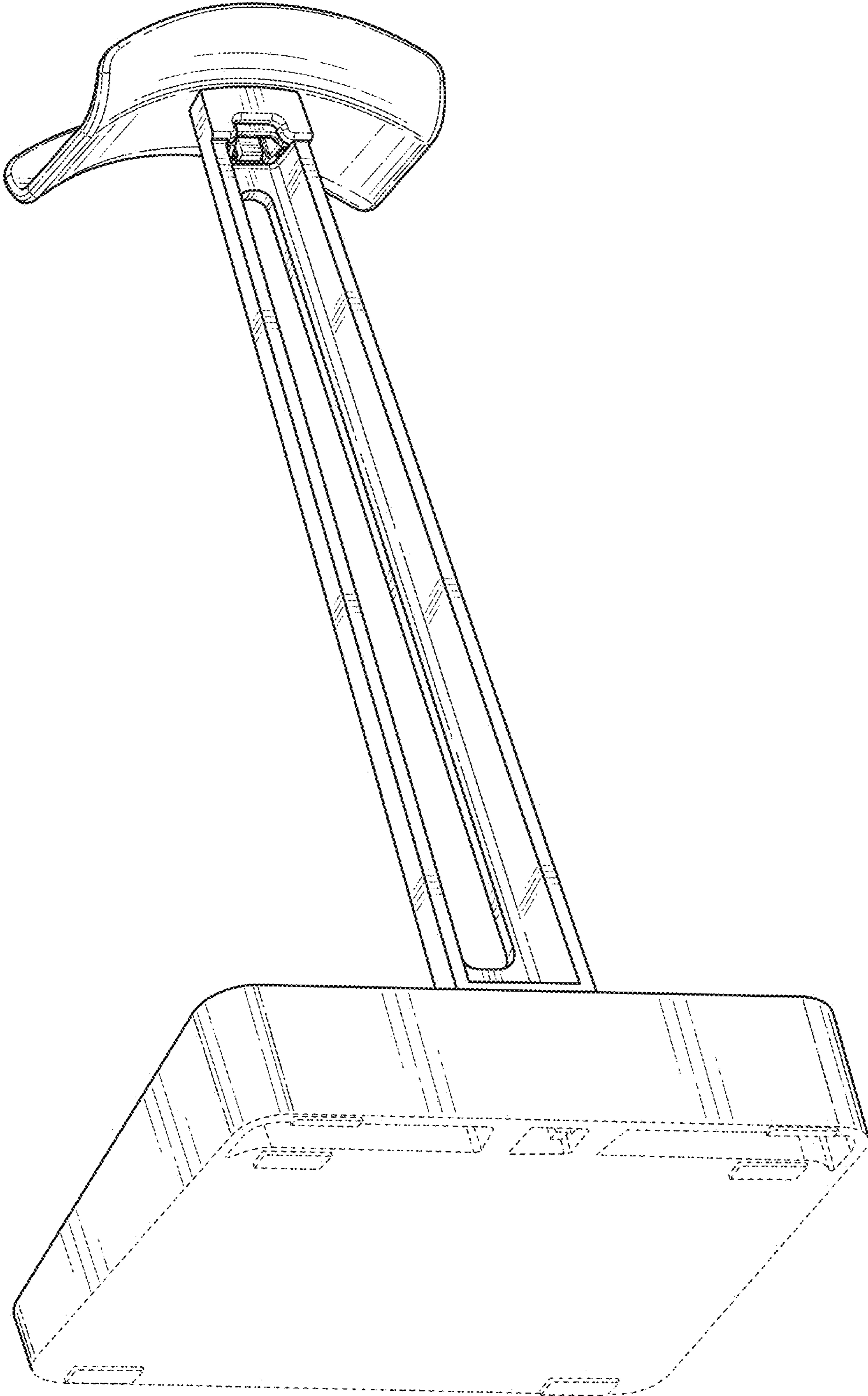


FIG. 2

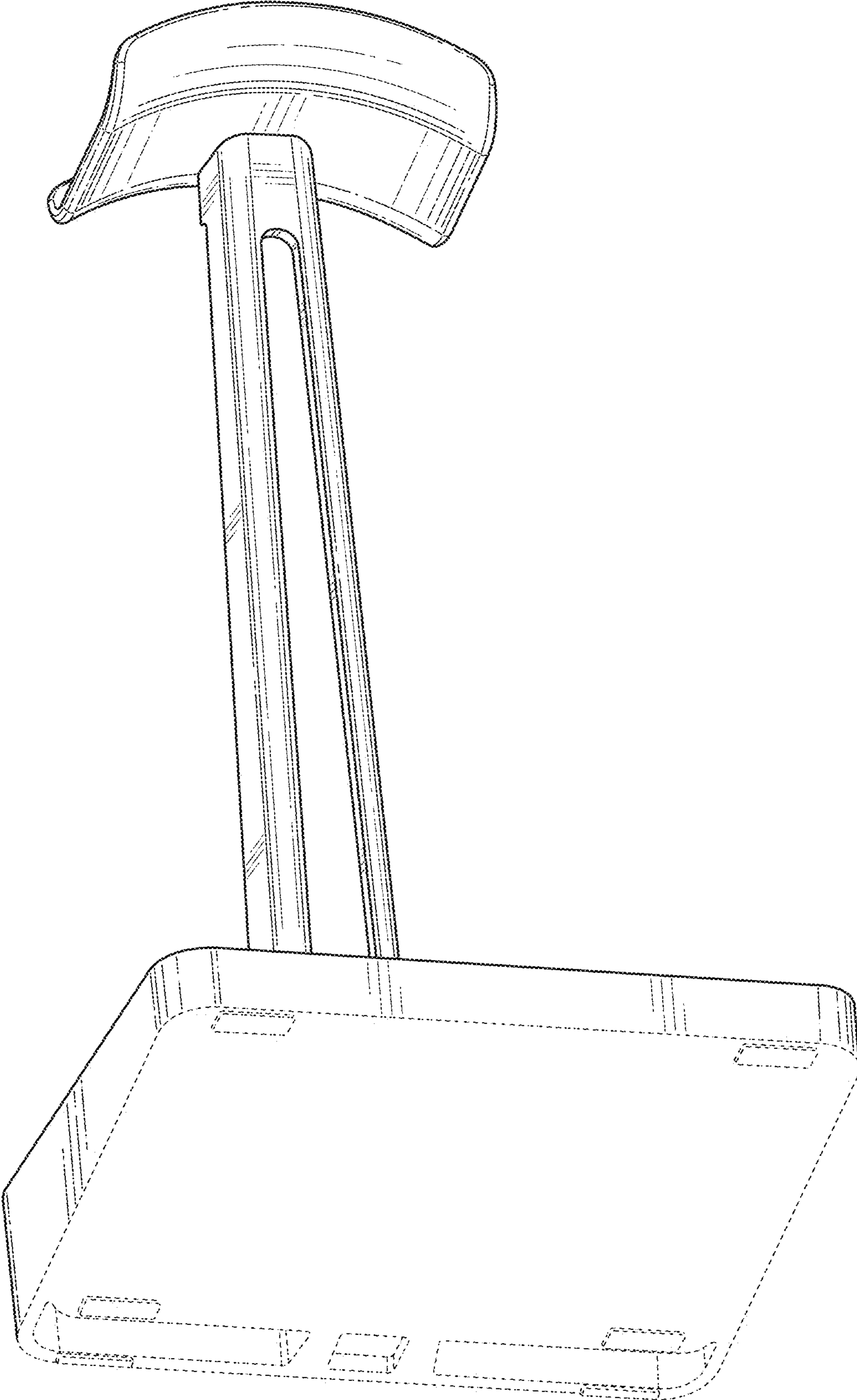


FIG. 3

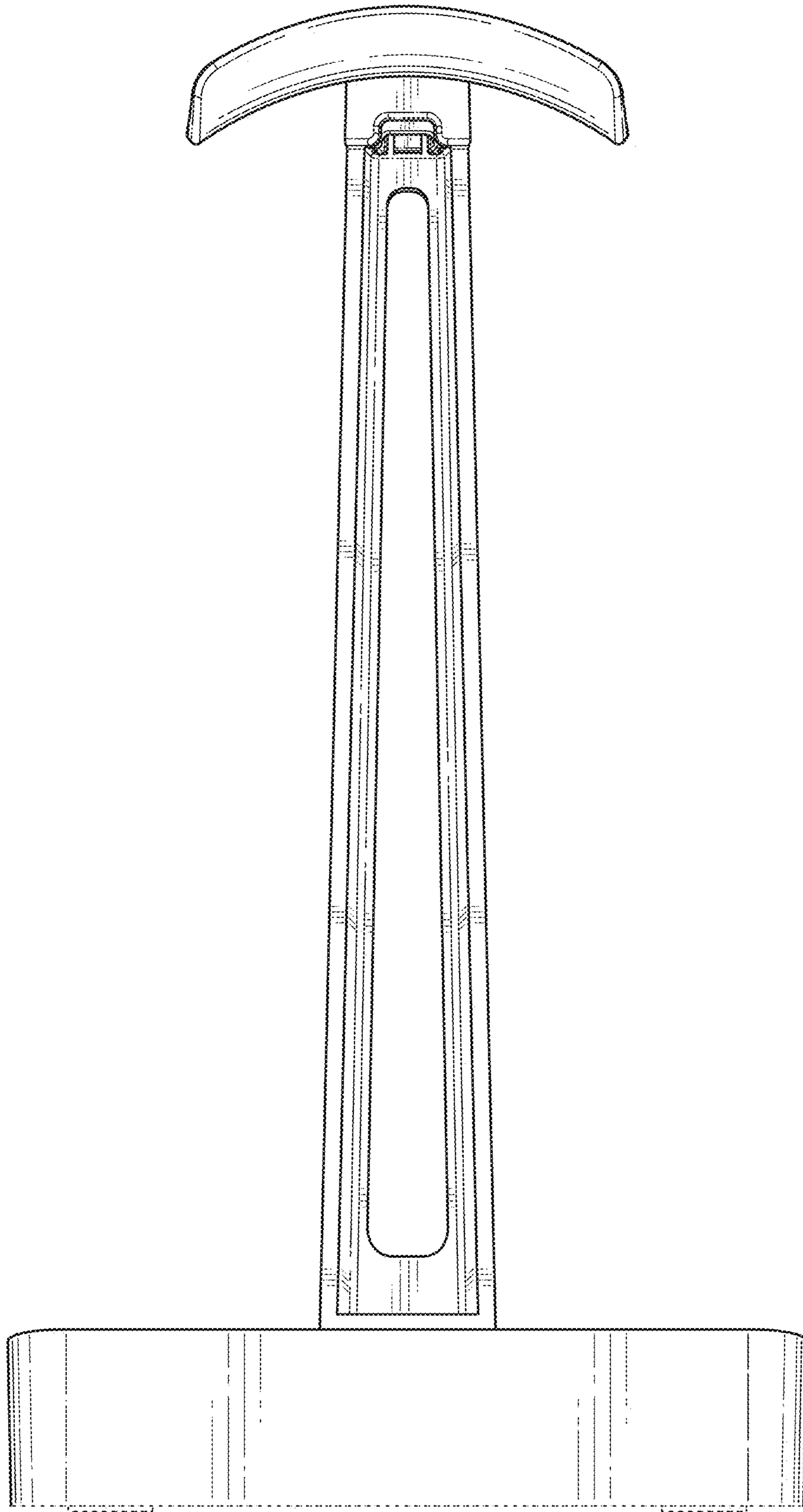


FIG. 4

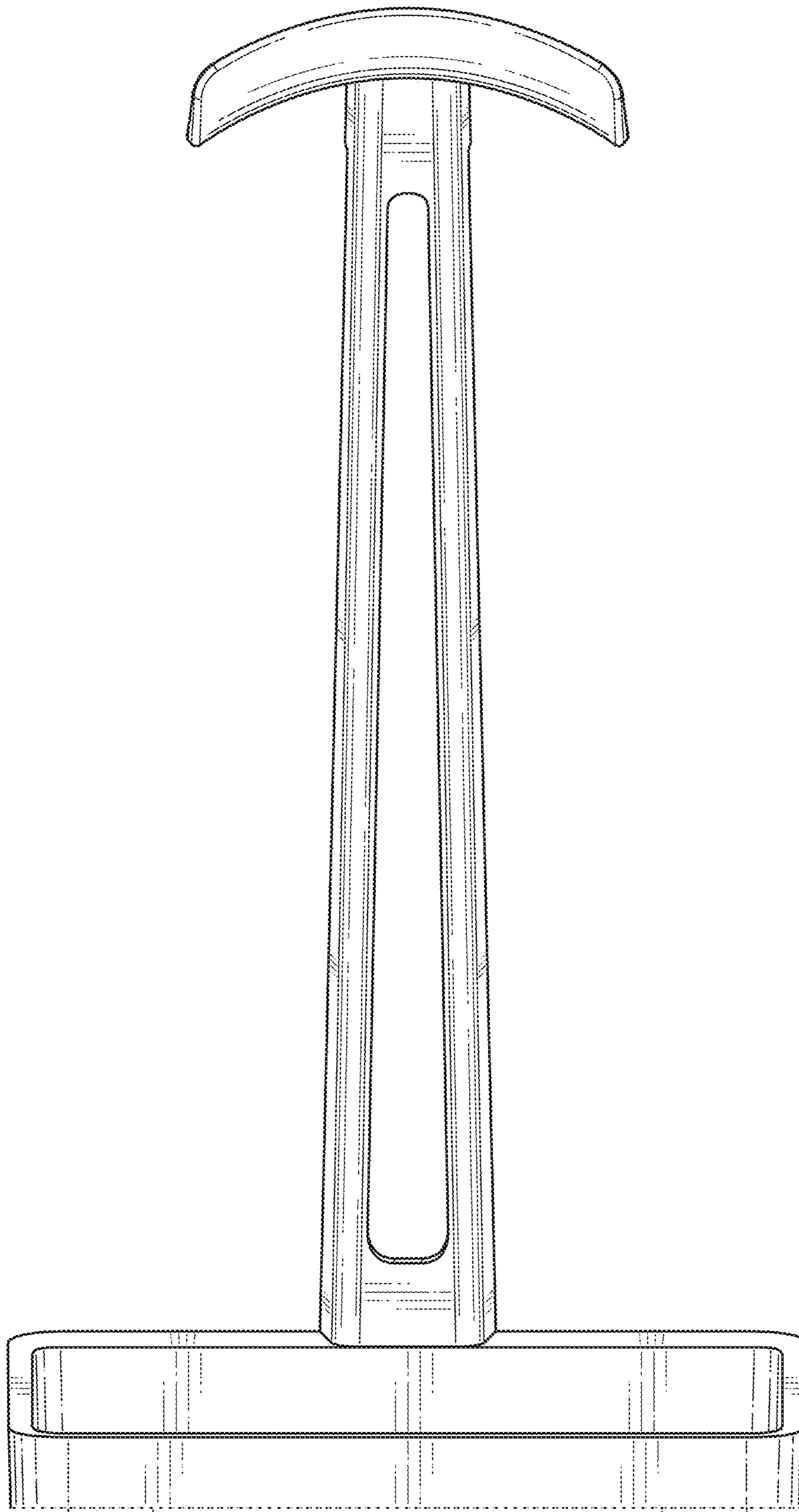


FIG. 5

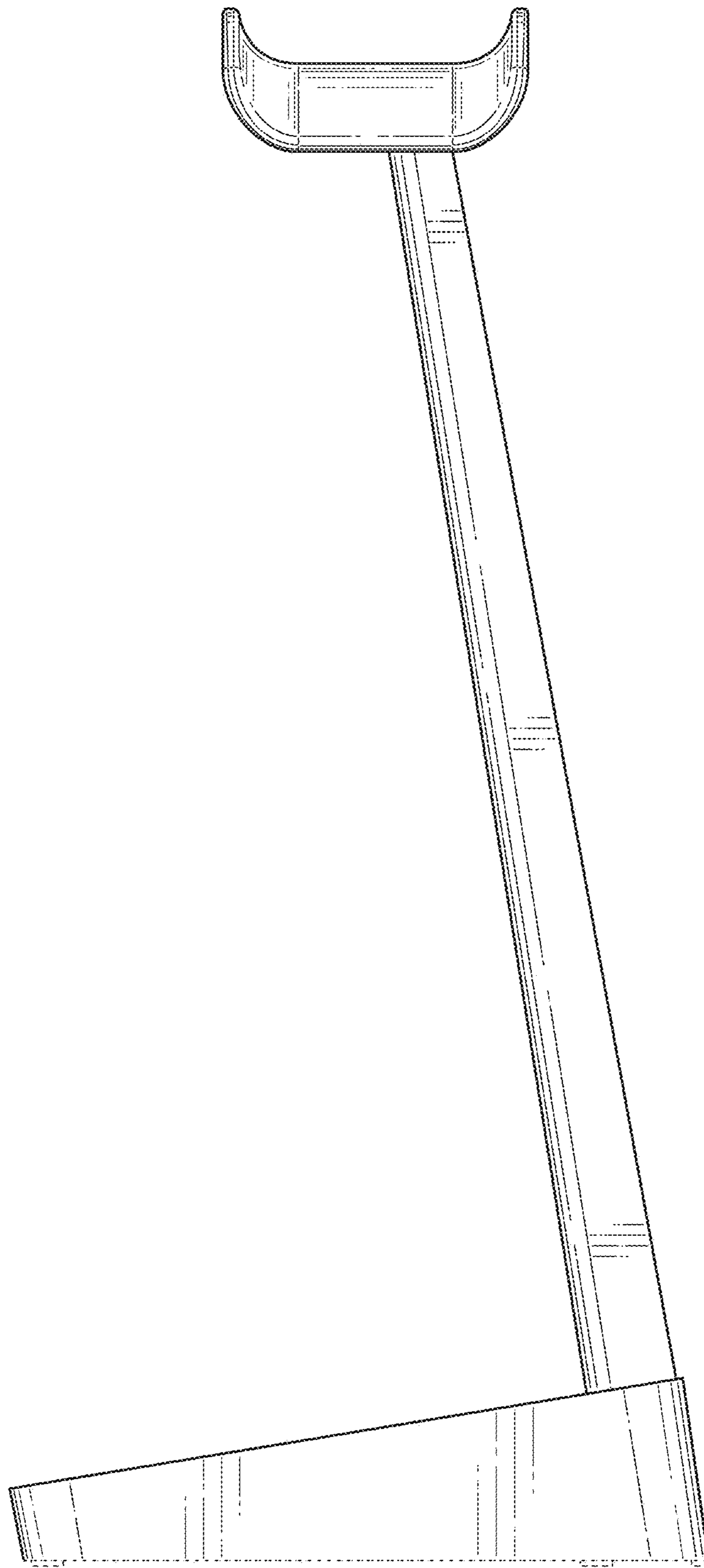


FIG. 6

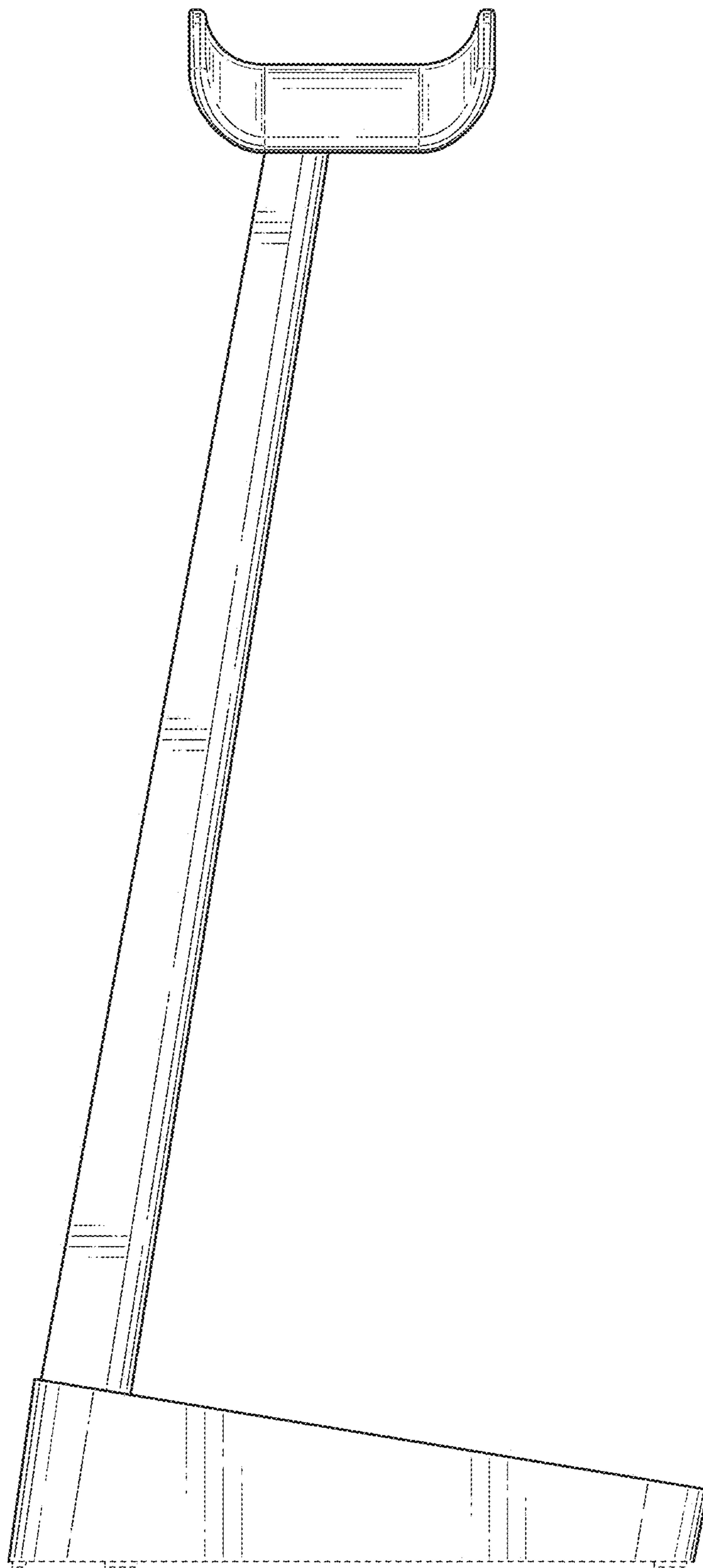


FIG. 7

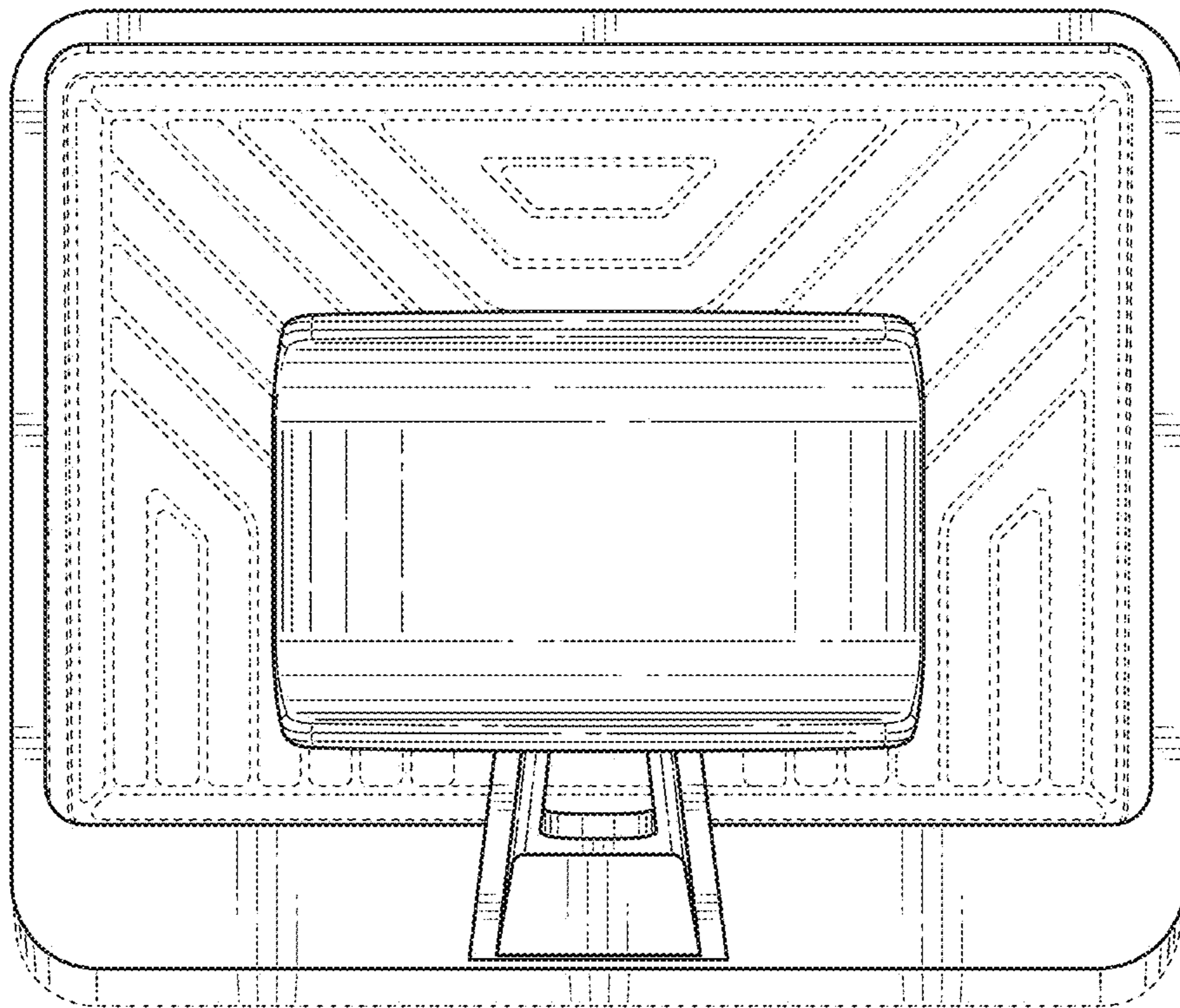


FIG. 8

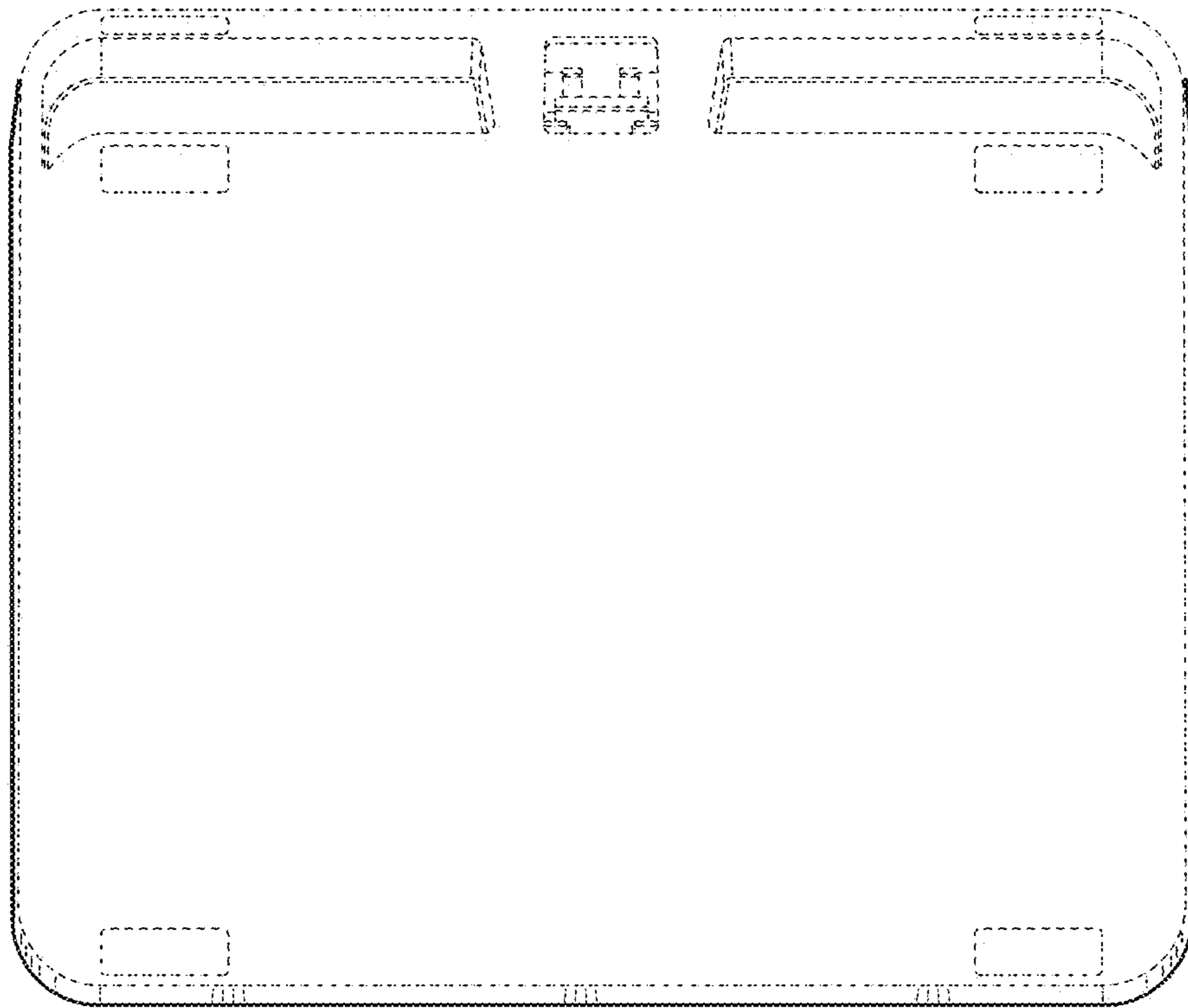


FIG. 9