



US00D985572S

(12) **United States Design Patent** (10) **Patent No.:** **US D985,572 S**
Solayappan et al. (45) **Date of Patent:** **** May 9, 2023**

(54) **VIDEO DEVICE STAND**
(71) Applicant: **Apple Inc.**, Cupertino, CA (US)
(72) Inventors: **Indhu V. Solayappan**, Sunnyvale, CA (US); **Gabriel J. Lamb**, Burlingame, CA (US); **Seung Chae Kang**, New York, NY (US); **David M. Foster**, Los Gatos, CA (US)
(73) Assignee: **Apple Inc.**, Cupertino, CA (US)
(**) Term: **15 Years**
(21) Appl. No.: **29/812,424**
(22) Filed: **Oct. 21, 2021**

D540,367 S 4/2007 Dittmer
D560,669 S 1/2008 Muday et al.
D580,741 S 11/2008 Short
D597,582 S 8/2009 Anderson et al.
D611,084 S 3/2010 Anderson et al.
D633,548 S 3/2011 Huang
D737,264 S 8/2015 Shamsadov
9,140,402 B2 9/2015 Anderson et al.
D772,739 S 11/2016 Browning et al.
D784,354 S 4/2017 Abreu
D825,574 S * 8/2018 Davies D14/447
D843,307 S 3/2019 Jung
D855,050 S 7/2019 Bongard et al.
D855,618 S 8/2019 Burmester
D877,138 S 3/2020 McSweyn
D892,777 S * 8/2020 Nguyen D14/240
D907,025 S 1/2021 Corraliza et al.
D907,641 S 1/2021 Solayappan et al.
D934,263 S * 10/2021 Solayappan D14/447

Related U.S. Application Data

(63) Continuation of application No. 29/765,548, filed on Jan. 8, 2021, now Pat. No. Des. 934,263, which is a continuation of application No. 29/701,978, filed on Aug. 15, 2019, now Pat. No. Des. 907,641.

(51) **LOC (14) Cl.** **08-07**
(52) **U.S. Cl.**
USPC **D14/447**

(58) **Field of Classification Search**
USPC D14/447, 432, 434, 439, 440, 451, 452, D14/457, 239, 253, 250; D8/363, 373, D8/380; D6/406.3, 406.4, 406.5, 406.6; D12/415; D21/333, 332; D16/244
CPC A47B 21/04; A47B 2097/006; A47B 2097/005; A47B 2023/049; A45C 2011/002; A45C 2011/003; F16M 2200/00; F16M 13/00
See application file for complete search history.

(56) **References Cited**

U.S. PATENT DOCUMENTS

D348,159 S 6/1994 Krippelz, Jr. et al.
D514,612 S 2/2006 Boele

Primary Examiner — Angela J Lee
(74) *Attorney, Agent, or Firm* — Sterne, Kessler, Goldstein & Fox P.L.L.C.

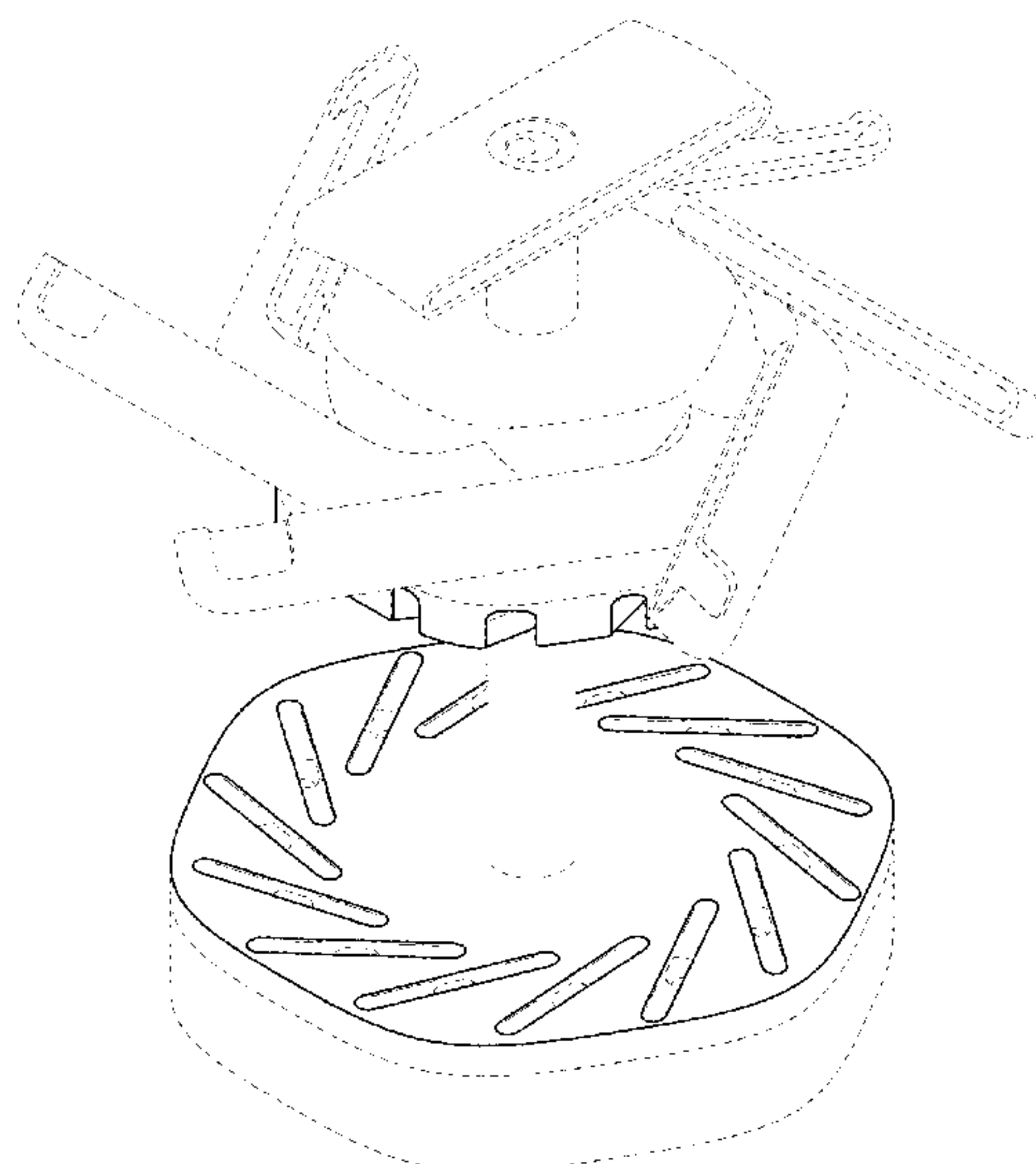
(57) **CLAIM**

The ornamental design for a video device stand, as shown and described.

DESCRIPTION

FIG. 1 is a top front perspective view of a video device stand showing the claimed design;
FIG. 2 is a front view thereof;
FIG. 3 is a rear view thereof;
FIG. 4 is a left side view thereof;
FIG. 5 is a right side view thereof;
FIG. 6 is a top view thereof; and,
FIG. 7 is a bottom view thereof.
The broken lines in the figures show portions of the video device stand that form no part of the claimed design.

1 Claim, 7 Drawing Sheets



(56)

References Cited

U.S. PATENT DOCUMENTS

2005/0161575 A1 7/2005 Friederich et al.
2005/0236546 A1 10/2005 O'Neill
2007/0145223 A1 6/2007 Huang
2008/0061200 A1 3/2008 Bouissiere

* cited by examiner

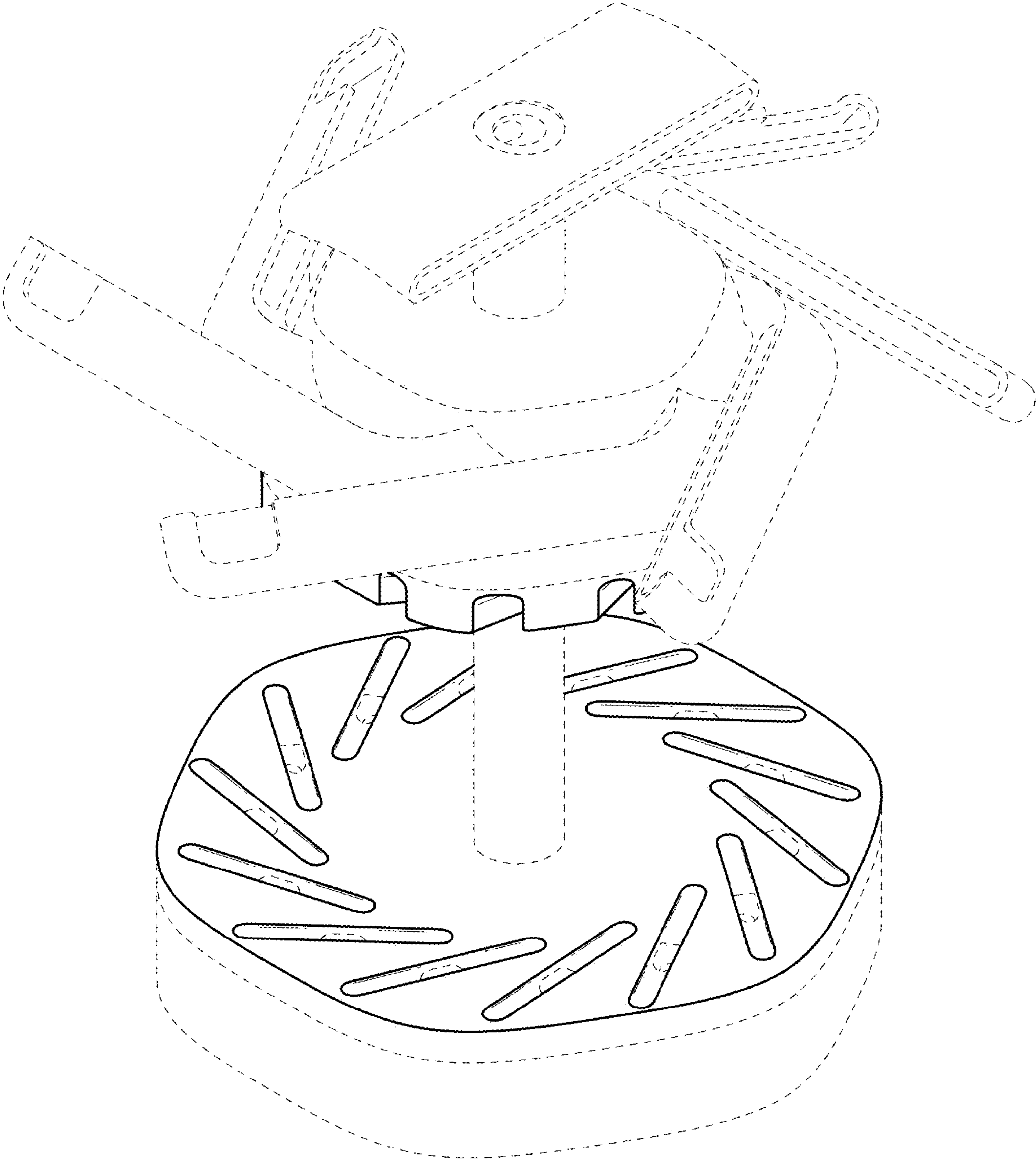


FIG. 1

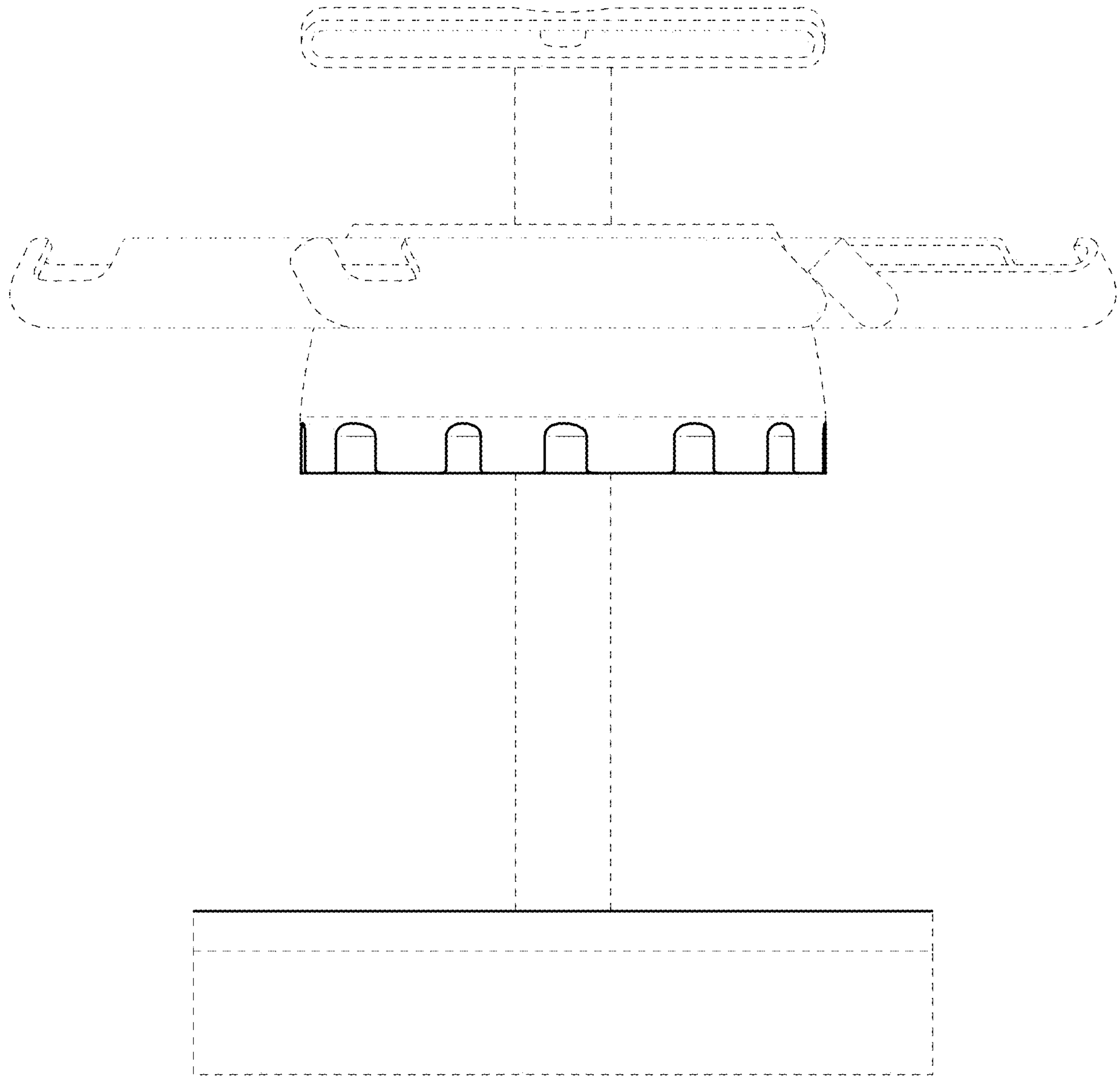


FIG. 2

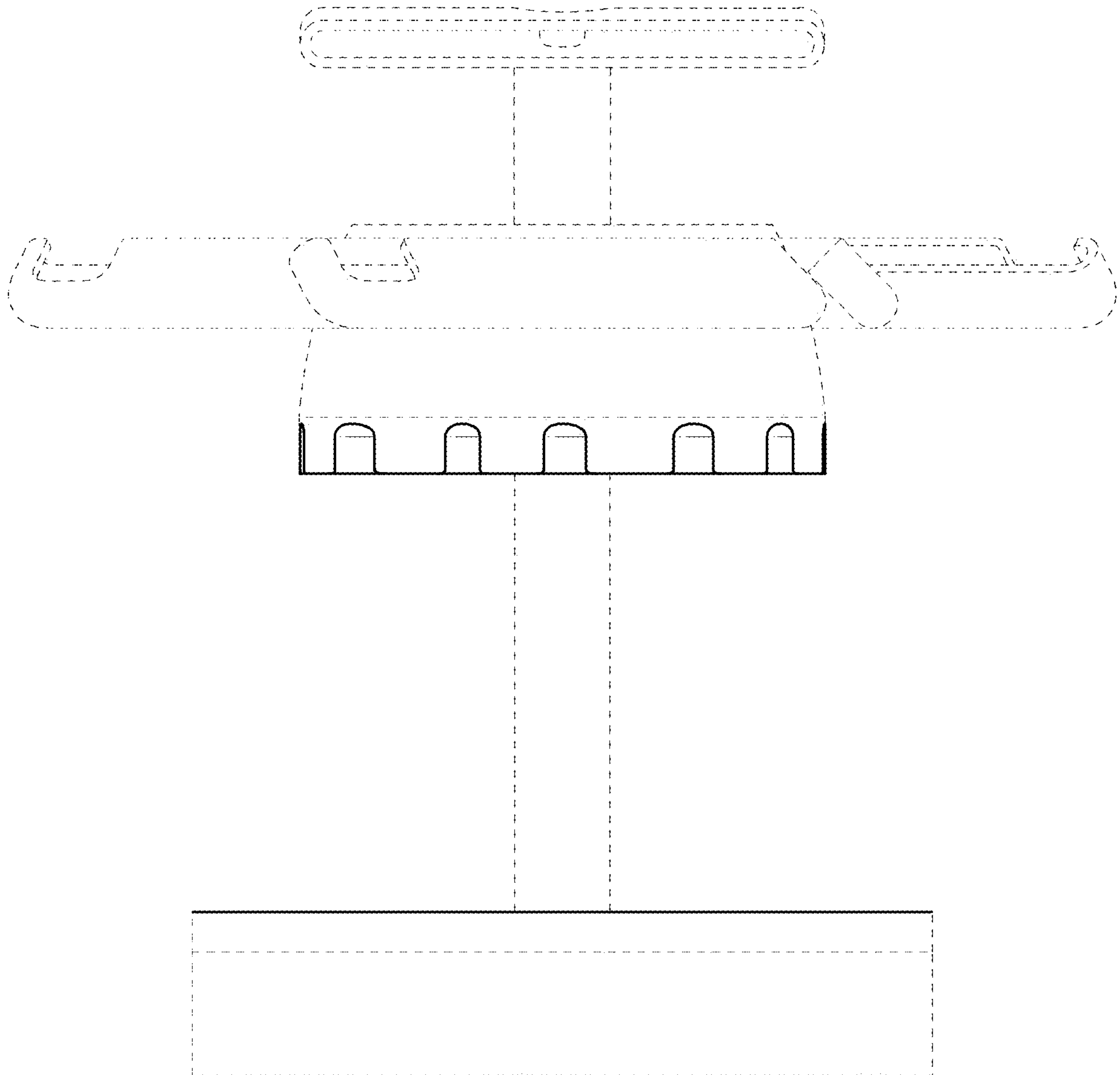


FIG. 3

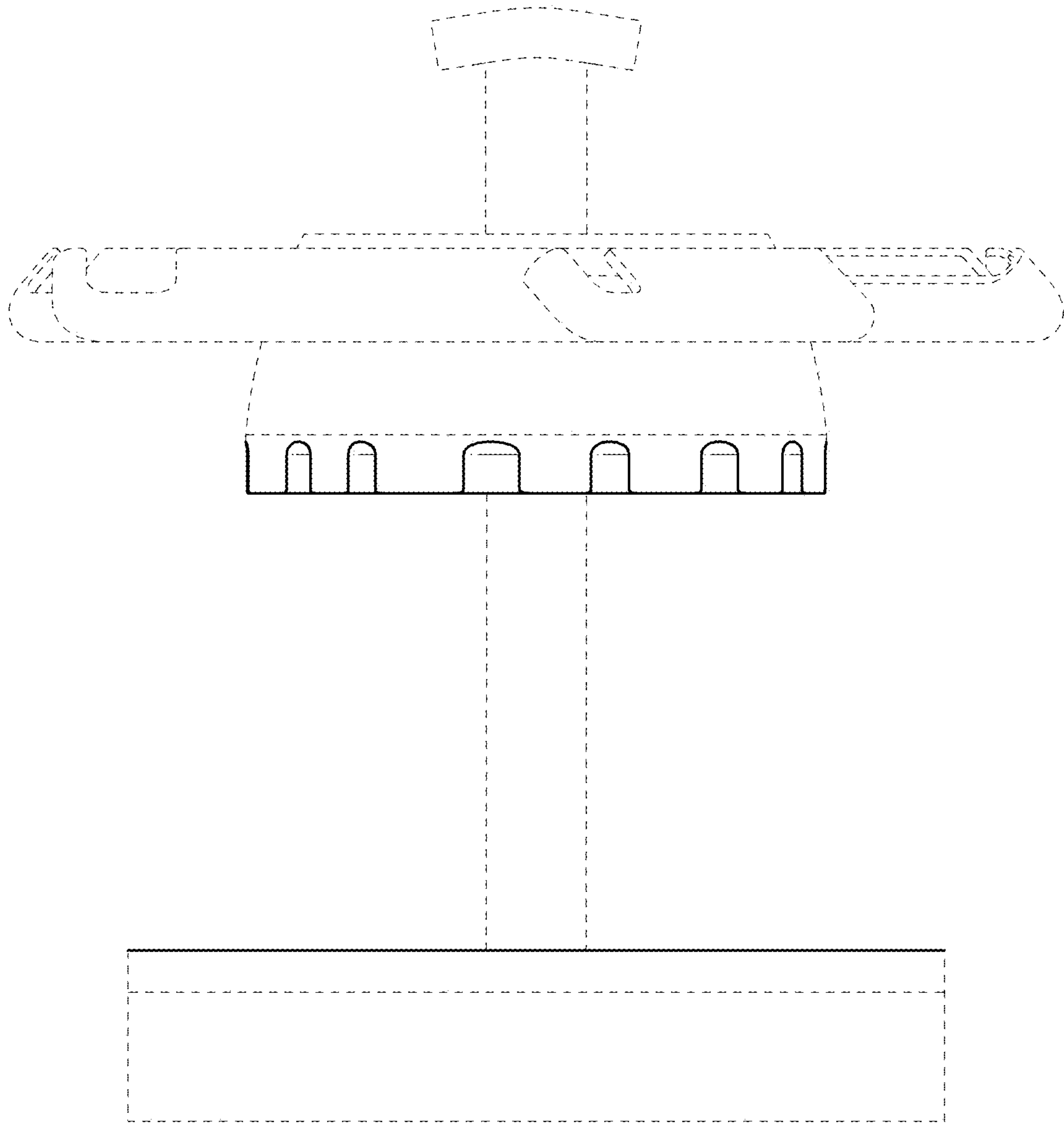


FIG. 4

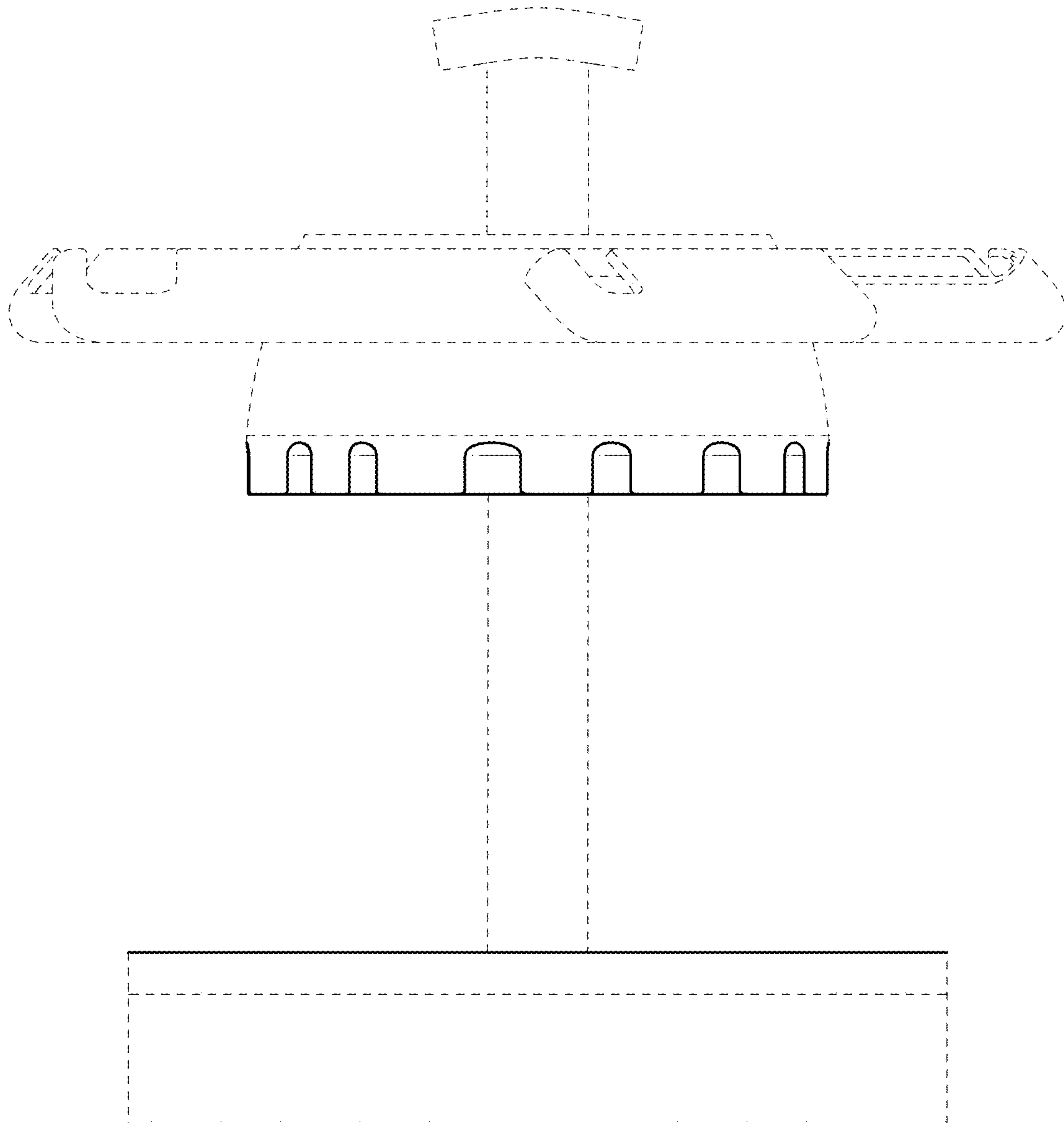


FIG. 5

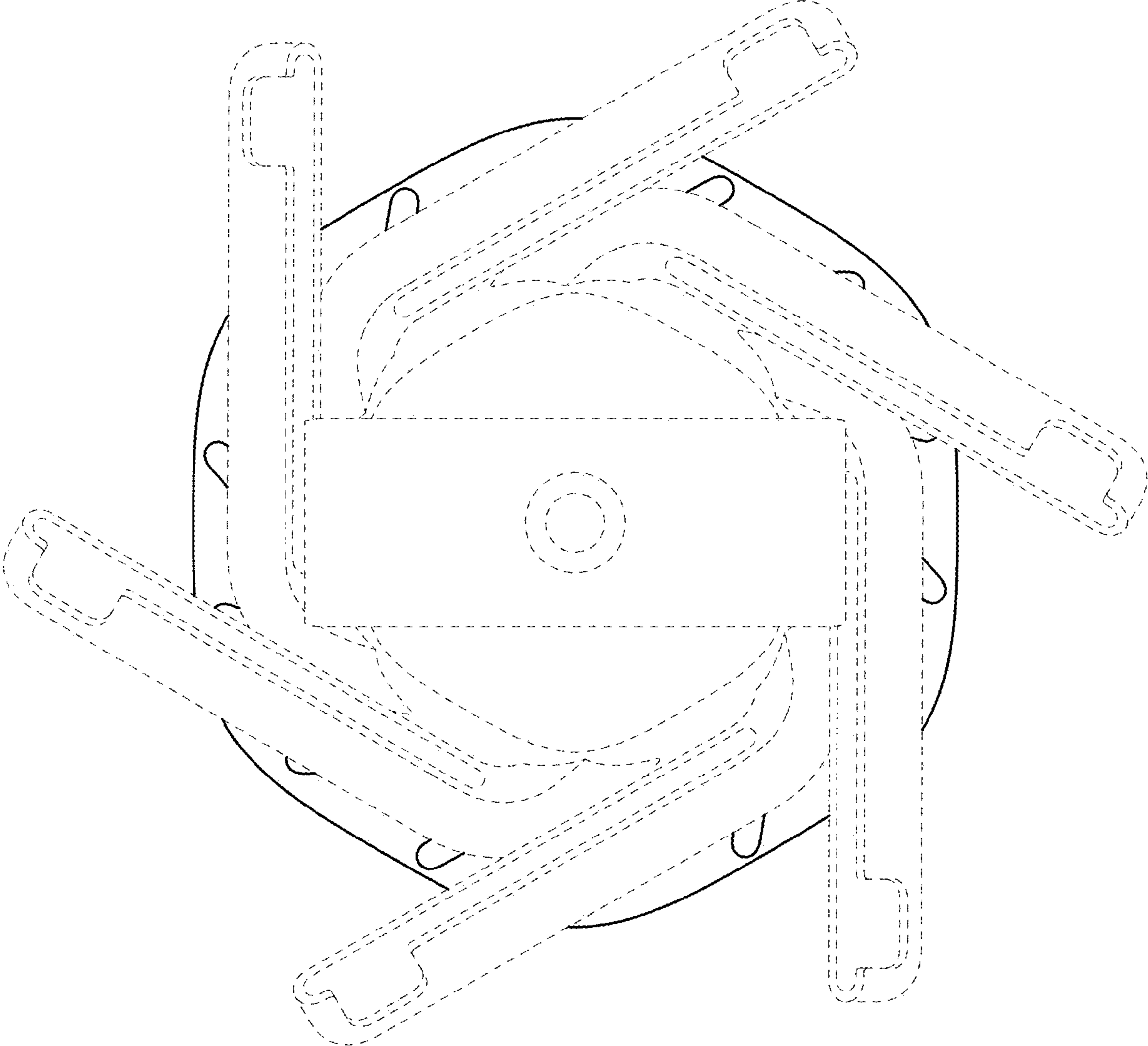


FIG. 6

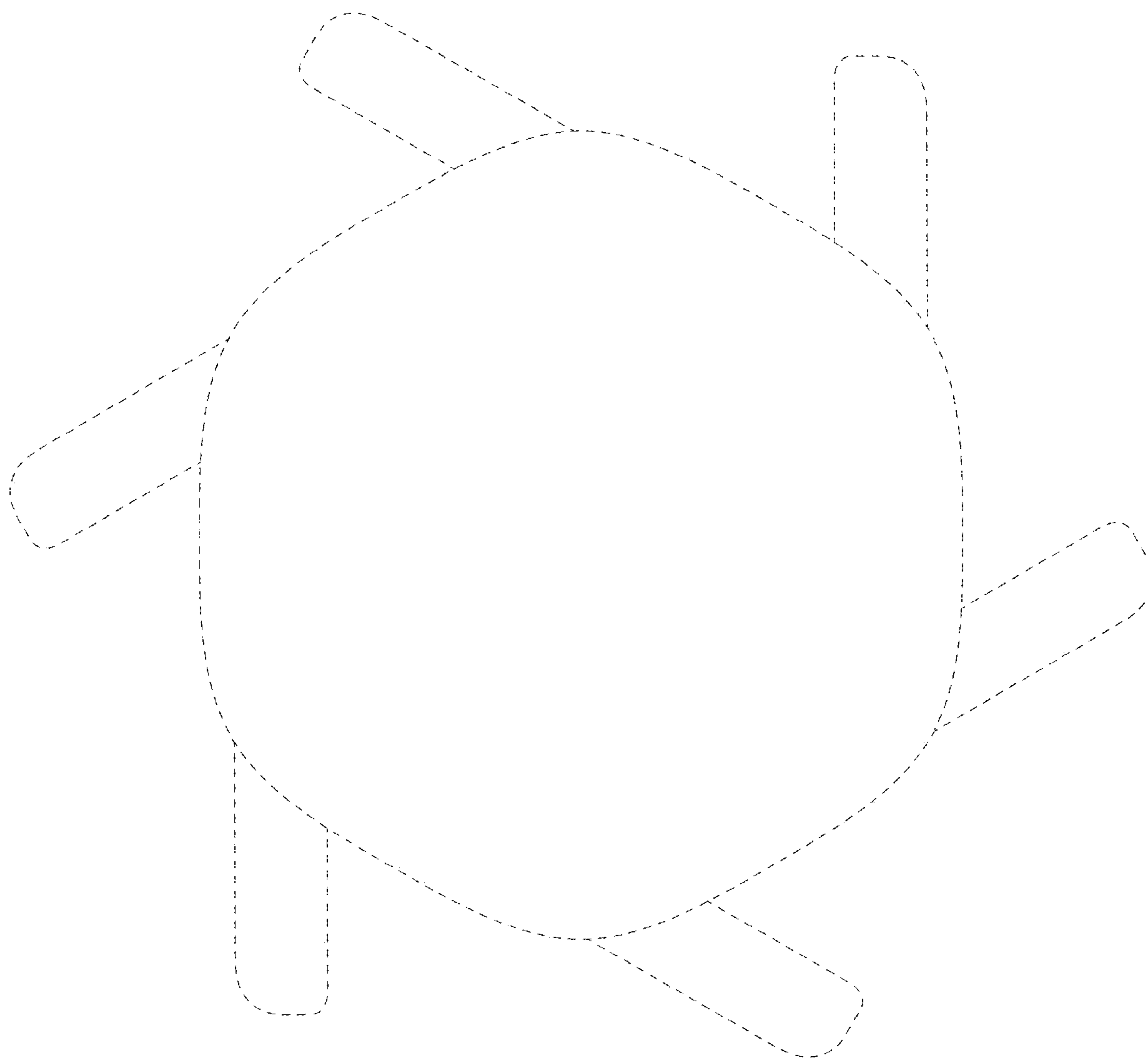


FIG. 7