

US00D985569S

(12) **United States Design Patent** (10) **Patent No.:** **US D985,569 S**
Hong et al. (45) **Date of Patent:** **** May 9, 2023**

(54) **BACK COVER FOR DISPLAY SCREENS** 8,287,495 B2 * 10/2012 Michaud F16J 15/32
604/152

(71) Applicant: **LG ELECTRONICS INC., Seoul (KR)** D704,685 S * 5/2014 Yeh D14/248
D757,002 S * 5/2016 Amit D14/345
D757,724 S * 5/2016 Amit D14/345

(72) Inventors: **Hyeyoung Hong, Seoul (KR); Seungdon Lee, Seoul (KR); Jiyeon Lee, Seoul (KR)** D791,753 S * 7/2017 Bae D14/341
D850,454 S * 6/2019 Kim D14/440
D901,489 S * 11/2020 Seo D14/341
D928,779 S * 8/2021 Koza D14/341
D940,120 S * 1/2022 Kim D14/250

(73) Assignee: **LG ELECTRONICS INC., Seoul (KR)** D946,580 S * 3/2022 Huang D21/333
D947,147 S * 3/2022 Hwang A63F 9/06
D14/127

(**) Term: **15 Years** D947,148 S * 3/2022 Lee A63F 9/06
D14/127

(21) Appl. No.: **35/513,401** D947,149 S * 3/2022 Hwang A63F 9/06
D14/127

(22) Filed: **Jul. 16, 2021** D954,149 S * 6/2022 Hochman D25/138
D954,695 S * 6/2022 Deng D14/250
D955,794 S * 6/2022 Hu D6/707.23

(80) **Hague Agreement Data**

Int. Filing Date: **Jul. 16, 2021**
Int. Reg. No.: **DM/216582**
Int. Reg. Date: **Jul. 16, 2021**
Int. Reg. Pub. Date: **Jan. 21, 2022**

Primary Examiner — Cynthia R Underwood
(74) *Attorney, Agent, or Firm* — Birch, Stewart, Kolasch & Birch, LLP

(30) **Foreign Application Priority Data**

Feb. 15, 2021 (KR) 30-2021-0007376

(51) **LOC (14) Cl.** **14-02**

(52) **U.S. Cl.**
USPC **D14/440; D14/126**

(58) **Field of Classification Search**
USPC D14/440, 447, 250, 308, 345, 353, 126,
D14/430; 206/45.23, 320, 45.2;
361/679.55; 294/25; 224/218
CPC ... G06F 1/1628; G06F 1/1626; A47B 23/044;
H04B 1/3888; A45C 11/00; F16J 15/32;
A63F 9/06
See application file for complete search history.

(56) **References Cited**

U.S. PATENT DOCUMENTS

D561,183 S * 2/2008 Lee D14/318
D583,059 S * 12/2008 Adams D24/164

(57) **CLAIM**

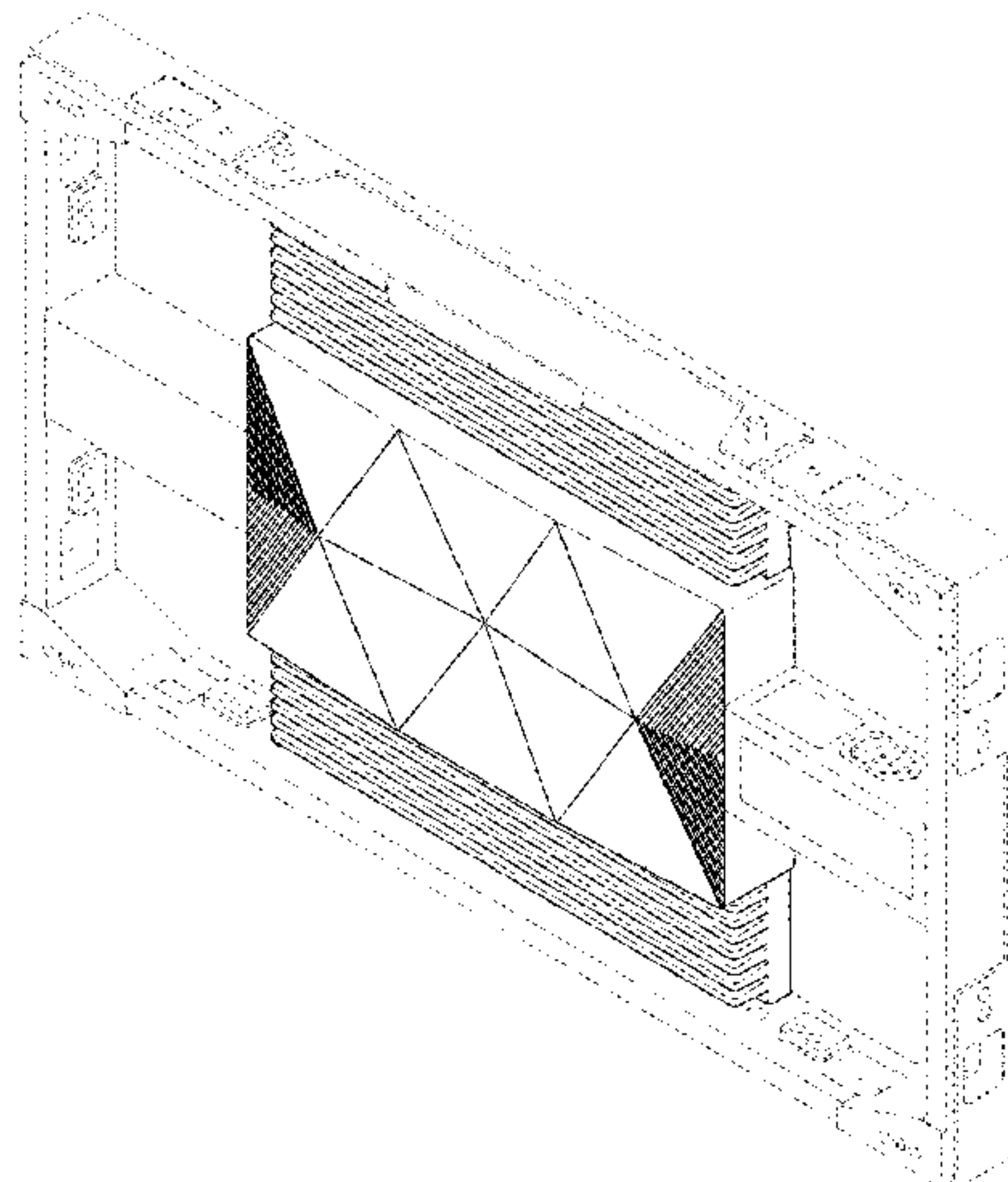
The ornamental design for a back cover for display screens, as shown and described.

DESCRIPTION

1. Back cover for display screens
- 1.1 : Perspective
- 1.2 : Front
- 1.3 : Back
- 1.4 : Left
- 1.5 : Right
- 1.6 : Top
- 1.7 : Bottom

The broken lines indicate portions of the article that form no part of the claimed design.

1 Claim, 7 Drawing Sheets



(56)

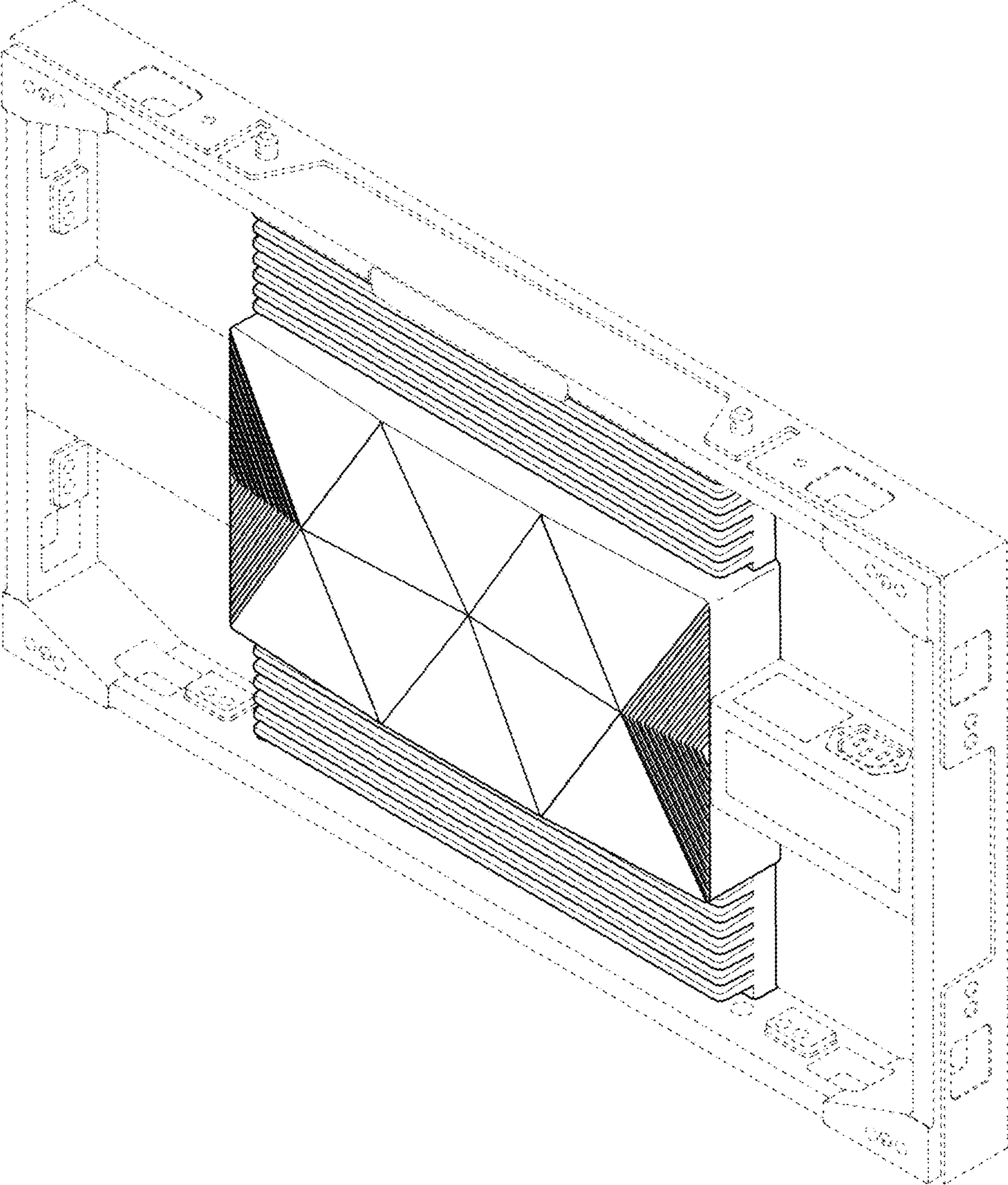
References Cited

U.S. PATENT DOCUMENTS

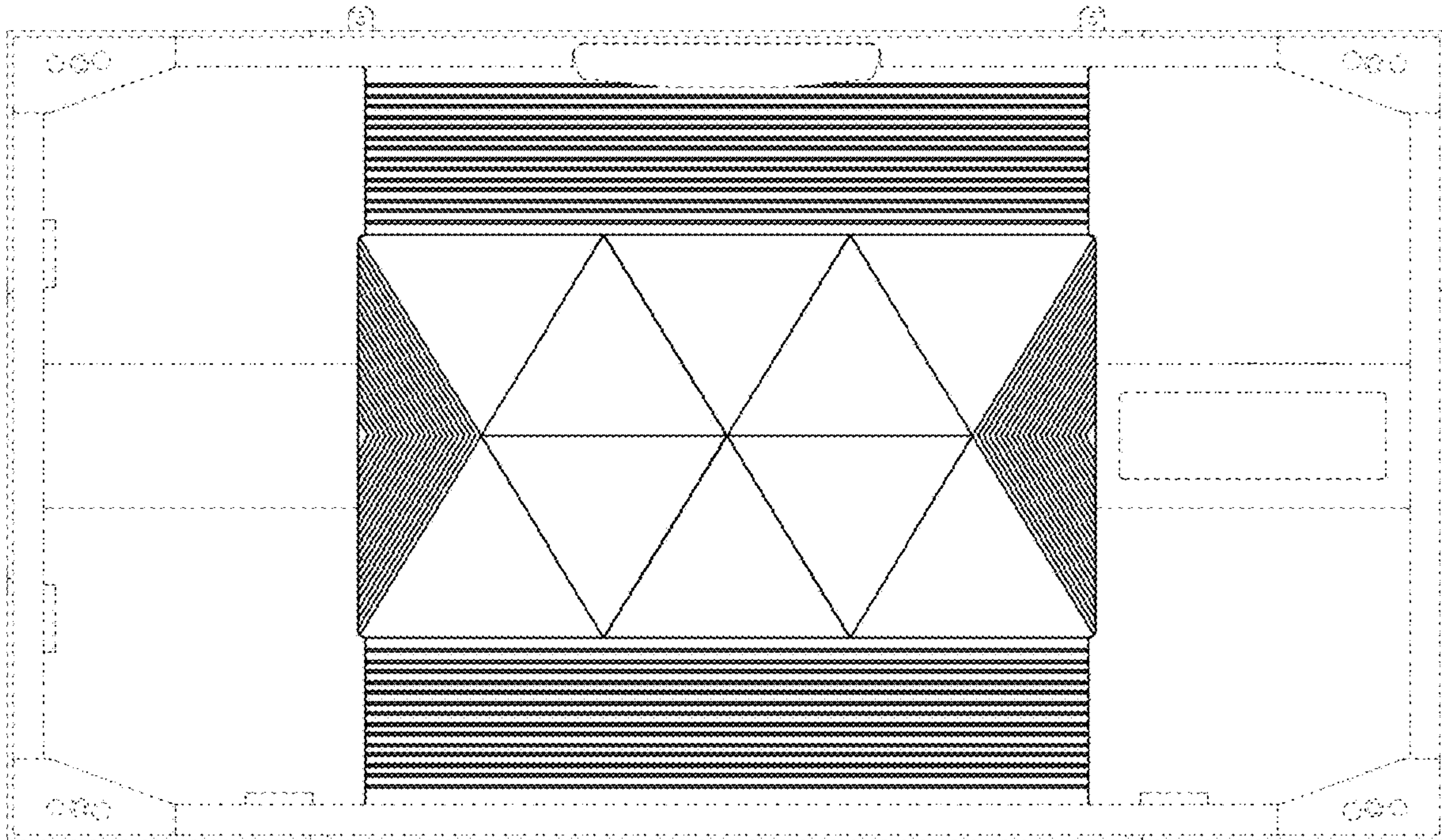
D960,892 S *	8/2022	Zhang	D14/440
D961,537 S *	8/2022	Lim	D14/129
D961,579 S *	8/2022	Little	D14/308
D965,210 S *	9/2022	Tan	D14/371
D976,938 S *	1/2023	Coenen	D14/486
D977,485 S *	2/2023	Wall	D14/440

* cited by examiner

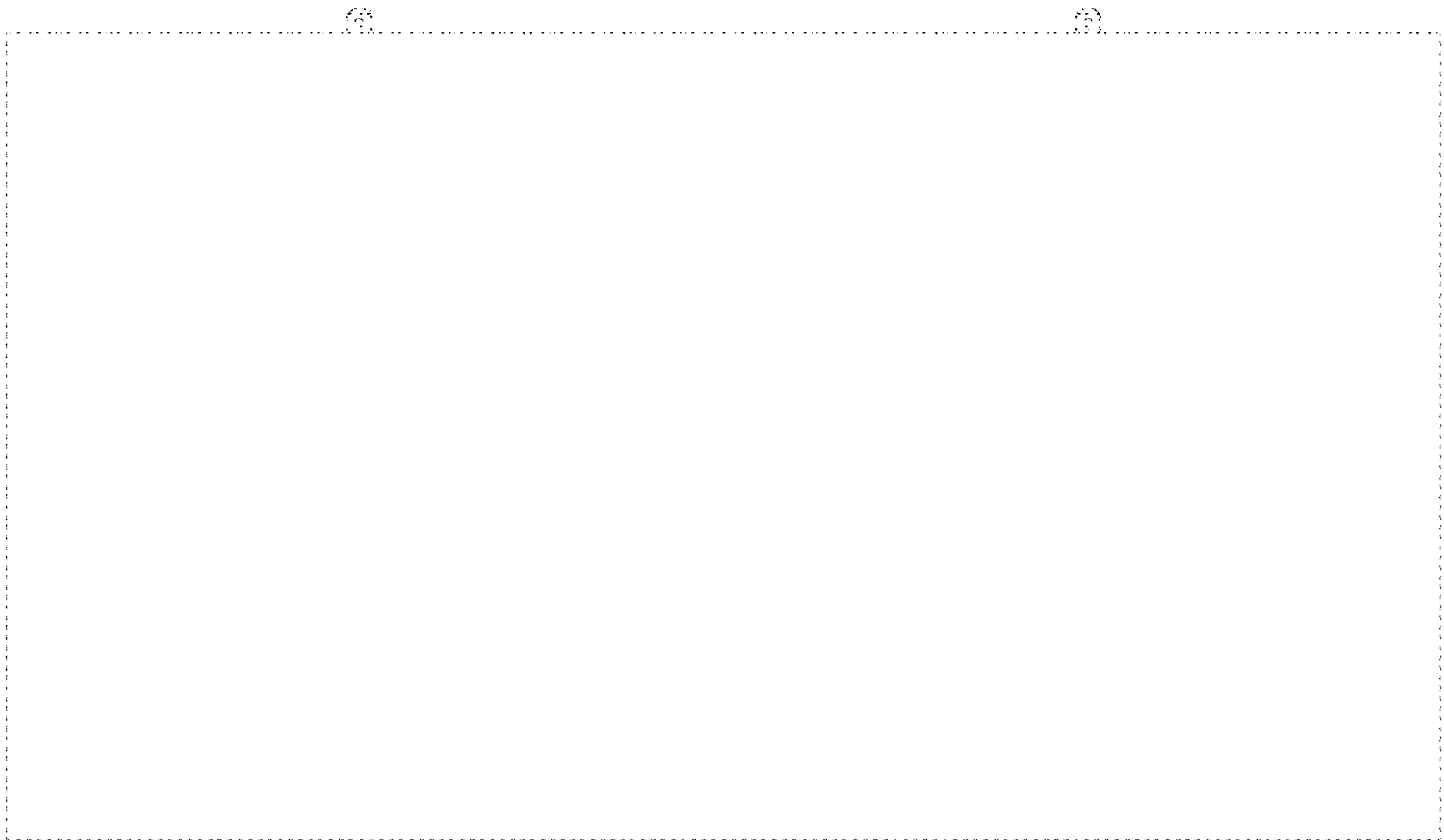
1.1



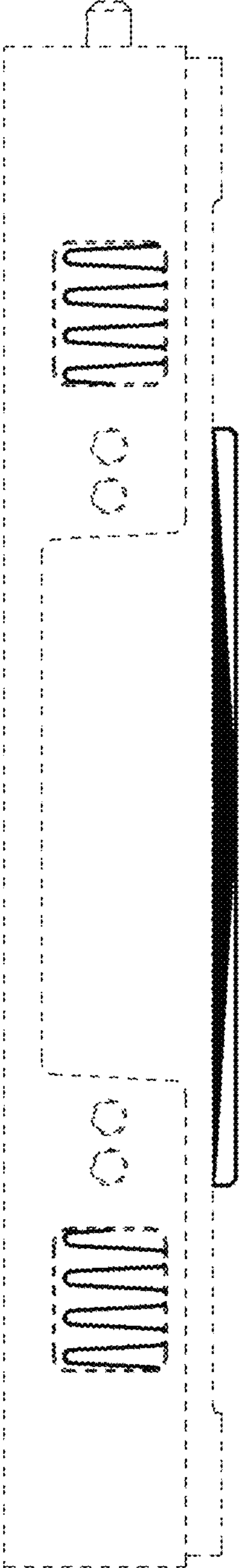
1.2



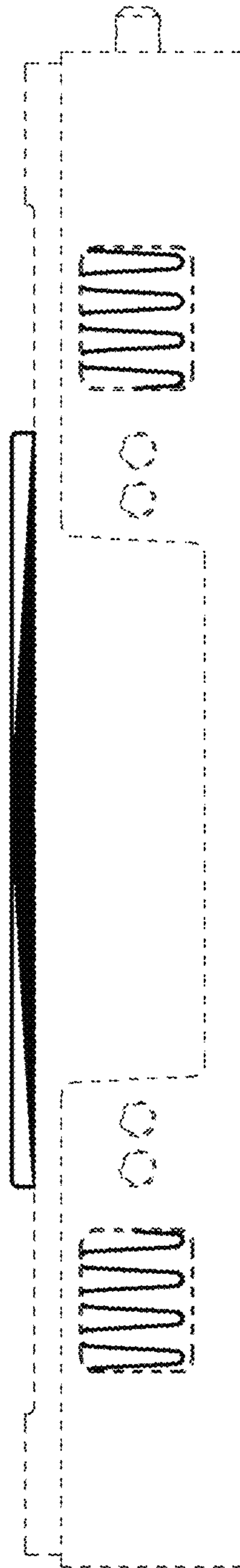
1.3



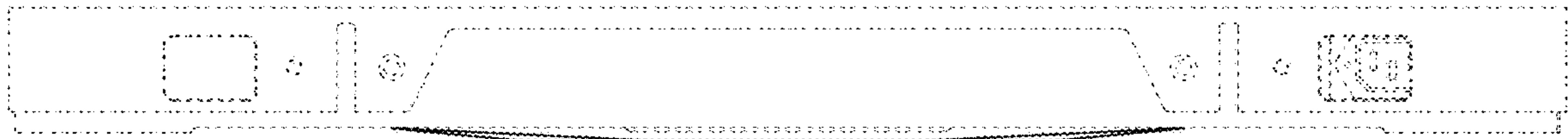
1.4



1.5



1.6



1.7

