



US00D985567S

(12) **United States Design Patent** (10) **Patent No.:** **US D985,567 S**
Olson (45) **Date of Patent:** **** May 9, 2023**

(54) **ERGONOMIC KEYBOARD**

(71) Applicant: **Cloud Nine Ergo LLC**, Boulder, CO (US)

(72) Inventor: **Blake Olson**, Superior, CO (US)

(73) Assignee: **CLOUD NINE ERGO LLC**, Boulder, CO (US)

(**) Term: **15 Years**

(21) Appl. No.: **29/771,612**

(22) Filed: **Feb. 24, 2021**

(51) **LOC (14) Cl.** **14-02**

(52) **U.S. Cl.**
USPC **D14/393**

(58) **Field of Classification Search**
USPC D14/12, 12.2, 383, 331–335, 338–340, D14/346, 347, 356, 384, 387–392, D14/395–401, 407, 416–417, 432, D14/454–457; D21/324, 333; D18/1, 2, D18/4.2
CPC B41J 5/107; B41J 5/10; B41J 5/12; B41J 5/14; B41J 7/34; G06F 3/0219; G06F 3/0231; G06F 3/0202; G06F 3/0213; G06F 3/03546; G06F 3/0359; G06F 3/0205; G06F 3/02

See application file for complete search history.

(56) **References Cited**

U.S. PATENT DOCUMENTS

5,119,078	A *	6/1992	Grant	G06F 3/0219
					341/23
5,228,791	A *	7/1993	Fort	G06F 3/0216
					400/489
D338,665	S *	8/1993	Riley	D14/395
5,302,040	A *	4/1994	Louis	H01H 13/807
					400/489
5,318,367	A *	6/1994	Braun	B41J 5/105
					400/489

(Continued)

FOREIGN PATENT DOCUMENTS

CN 306950086 * 11/2021
CN 307101005 * 2/2022

(Continued)

OTHER PUBLICATIONS

Tannsen, "Backline Wireless Ergonomic Keyboard . . .", available at amazon.com, date first available May 7, 2022, site visited Sep. 28, 2022, Available at URL: <https://a.co/d/j3E6uvb> (Year: 2022).*

(Continued)

Primary Examiner — Daniel J Domino

Assistant Examiner — Samina Vieth

(74) *Attorney, Agent, or Firm* — MP Patents, LLC

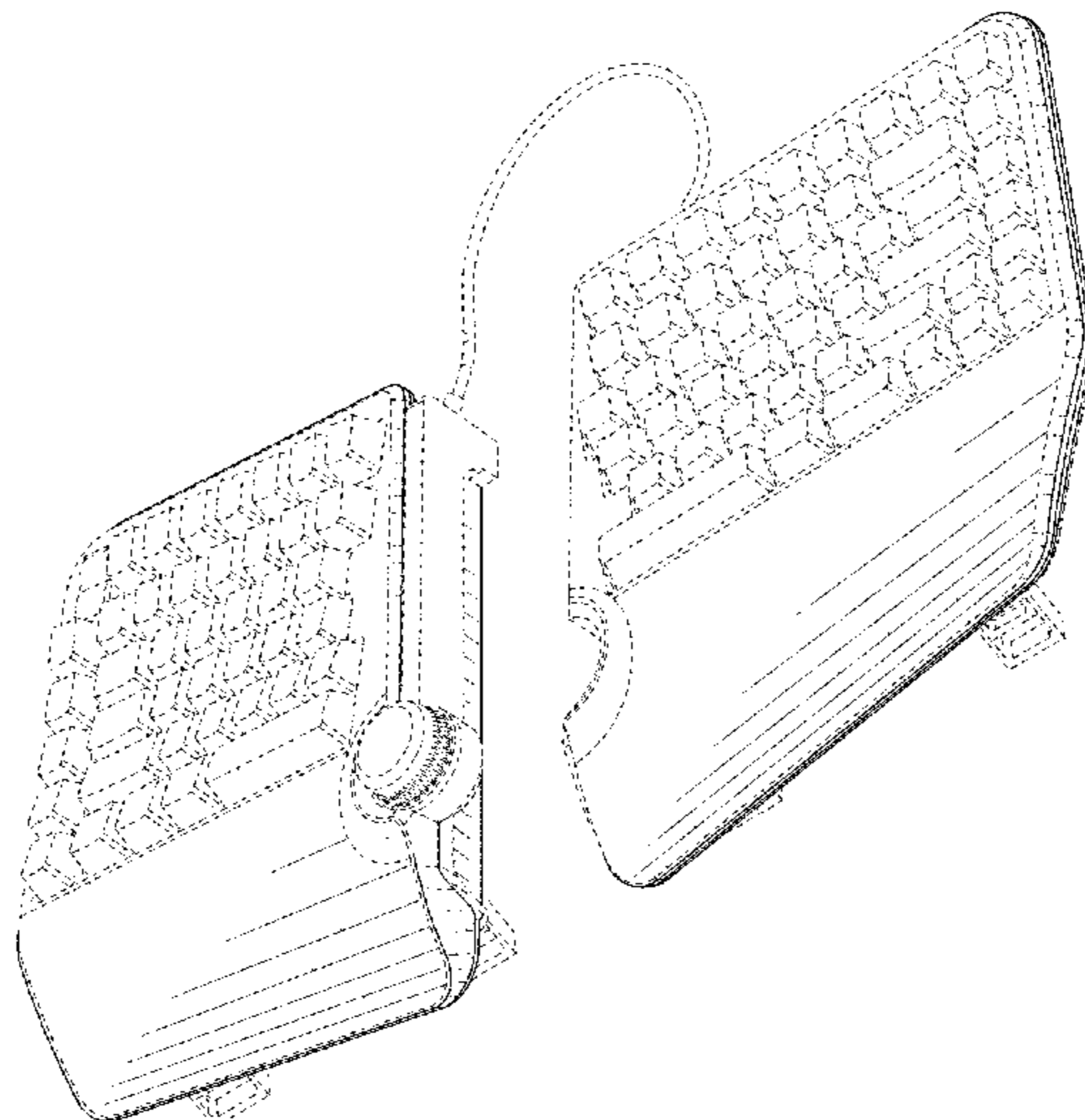
(57) **CLAIM**

The ornamental design for an ergonomic keyboard, as shown and described.

DESCRIPTION

FIG. 1 is a top right perspective view of the ergonomic keyboard.
FIG. 2 is a top view thereof.
FIG. 3 is a bottom view thereof.
FIG. 4 is a left side view thereof.
FIG. 5 is a right-side view thereof.
FIG. 6 is a rear view thereof.
FIG. 7 is a front view thereof.
FIG. 8 is a bottom left perspective view thereof; and,
FIG. 9 is a bottom front perspective view thereof.
The broken lines illustrate portions of the article, whereas the dot-dash broken lines represent a boundary of the claimed design. None of the broken lines form any part of the claimed design.

1 Claim, 7 Drawing Sheets



(56)

References Cited

U.S. PATENT DOCUMENTS

5,416,498 A * 5/1995 Grant G06F 3/0219
400/489
D362,434 S * 9/1995 Abell, Jr. D14/395
D380,465 S * 7/1997 Chang D14/395
5,669,722 A * 9/1997 Overthun G06F 3/0216
400/489
5,673,040 A * 9/1997 Hargreaves G06F 3/0219
D14/391
D386,172 S * 11/1997 Kawauchi D14/395
D390,549 S * 2/1998 Tsai D14/393
5,731,808 A 3/1998 Gaither
D408,804 S 4/1999 Kurokawa et al.
D409,995 S * 5/1999 Calabrese D14/392
5,936,555 A * 8/1999 Zagnoev G06F 3/02
400/489
D420,655 S * 2/2000 Louis D14/396
6,022,156 A * 2/2000 Blish G06F 3/0219
400/715
6,081,207 A 6/2000 Batio
D453,334 S 2/2002 Hobday
D458,931 S * 6/2002 Yu D14/398
D494,590 S 8/2004 Richter
D580,446 S * 11/2008 DeMaio D14/456
D583,818 S * 12/2008 Kuchler D14/391
D585,063 S 1/2009 Hargreaves et al.
D599,350 S * 9/2009 O'Neil D14/392
RE43,485 E 6/2012 Hargreaves et al.
8,289,684 B2 10/2012 Hargreaves et al.
8,454,254 B2 6/2013 Hargreaves et al.
D811,396 S * 2/2018 Tzeng D14/391
D836,111 S 12/2018 Buhler
10,310,626 B1 * 6/2019 Lu G06F 3/0221
D894,184 S * 8/2020 Wang D14/391
D925,533 S * 7/2021 Zhang D14/393
11,257,641 B1 * 2/2022 Slepov B41J 5/10
D959,430 S * 8/2022 Yalazoglu D14/393
2004/0238710 A1 * 12/2004 Hsu G06F 1/169
248/346.03
2007/0045392 A1 * 3/2007 Youens G06F 3/0216
235/145 R

2007/0159465 A1 * 7/2007 Choi G06F 3/0216
345/168
2007/0285395 A1 * 12/2007 Hargreaves G06F 3/0208
345/168
2010/0156832 A1 * 6/2010 Vargas G06F 3/021
345/173
2011/0175811 A1 * 7/2011 Edmister G06F 3/021
345/161
2013/0222990 A1 * 8/2013 Yu G06F 3/0221
361/679.2
2014/0186084 A1 * 7/2014 Dickenson B41J 5/10
400/489
2014/0240238 A1 * 8/2014 Norwalk G06F 3/0221
345/168
2022/0011875 A1 * 1/2022 Lin G06F 3/0216
2022/0165520 A1 * 5/2022 Cai G06F 3/0202

FOREIGN PATENT DOCUMENTS

CN 307191786 * 3/2022
CN 307377416 * 5/2022
CN 307458273 * 7/2022

OTHER PUBLICATIONS

Icrosoft, "Sculpt Ergonomic Keyboard . . . ", available at amazon.com, date first available Sep. 12, 2013, site visited Sep. 28, 2022, Available at URL: <https://a.co/d/2PgXRGM> (Year: 2013).*

Kinesis, "Freestyle2 Keyboard for Mac", available at amazon.com, date first available Nov. 1, 2012, site visited Sep. 28, 2022, Available at URL: <https://a.co/d/64qAI9V> (Year: 2012).*

Kinesis, "Gaming Freestyle Edge RGB Split Mechanical Keyboard", available at amazon.com, date first available Jul. 30, 2019, site visited Sep. 28, 2022, Available at URL: <https://a.co/d/e9kGF1R> (Year: 2019).*

Mistel Store, "Barocco MD770 RGB Wired + Wireless Bluetooth . . . ", available at amazon.com, date first available Aug. 28, 2020, site visited Sep. 28, 2022, available at URL: <https://a.co/d/eWXceiJ> (Year: 2020).*

* cited by examiner

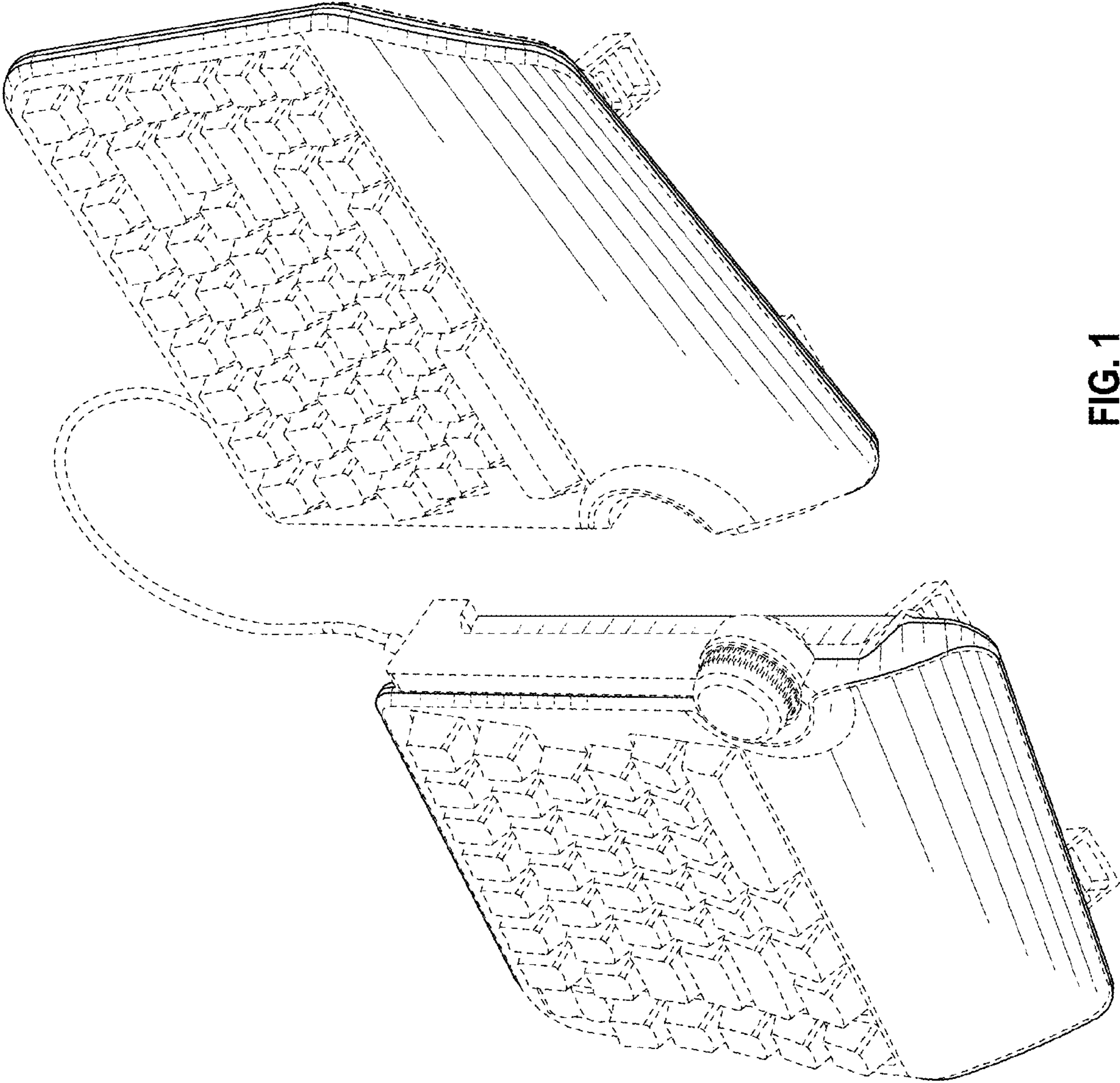


FIG. 1

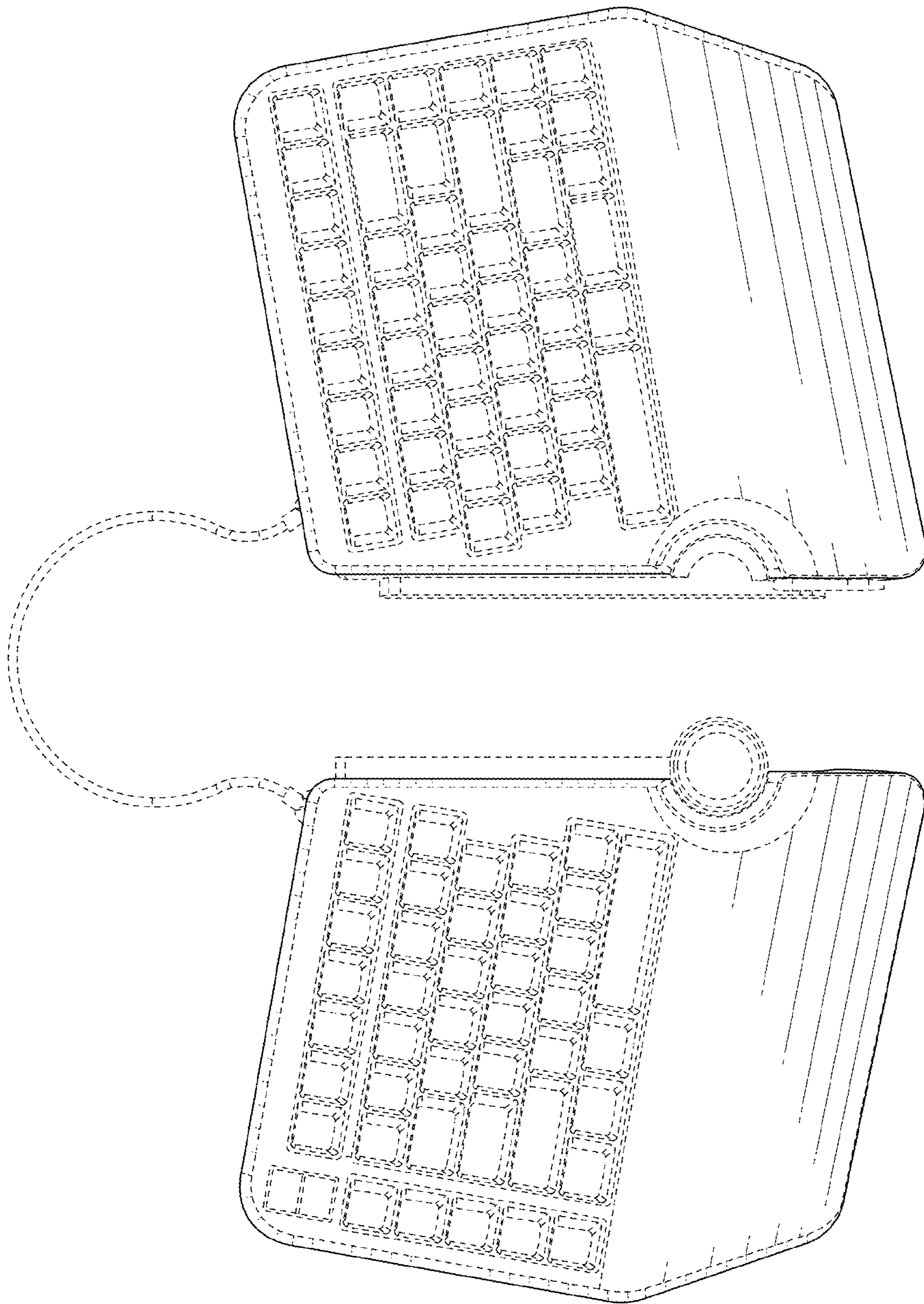


FIG. 2

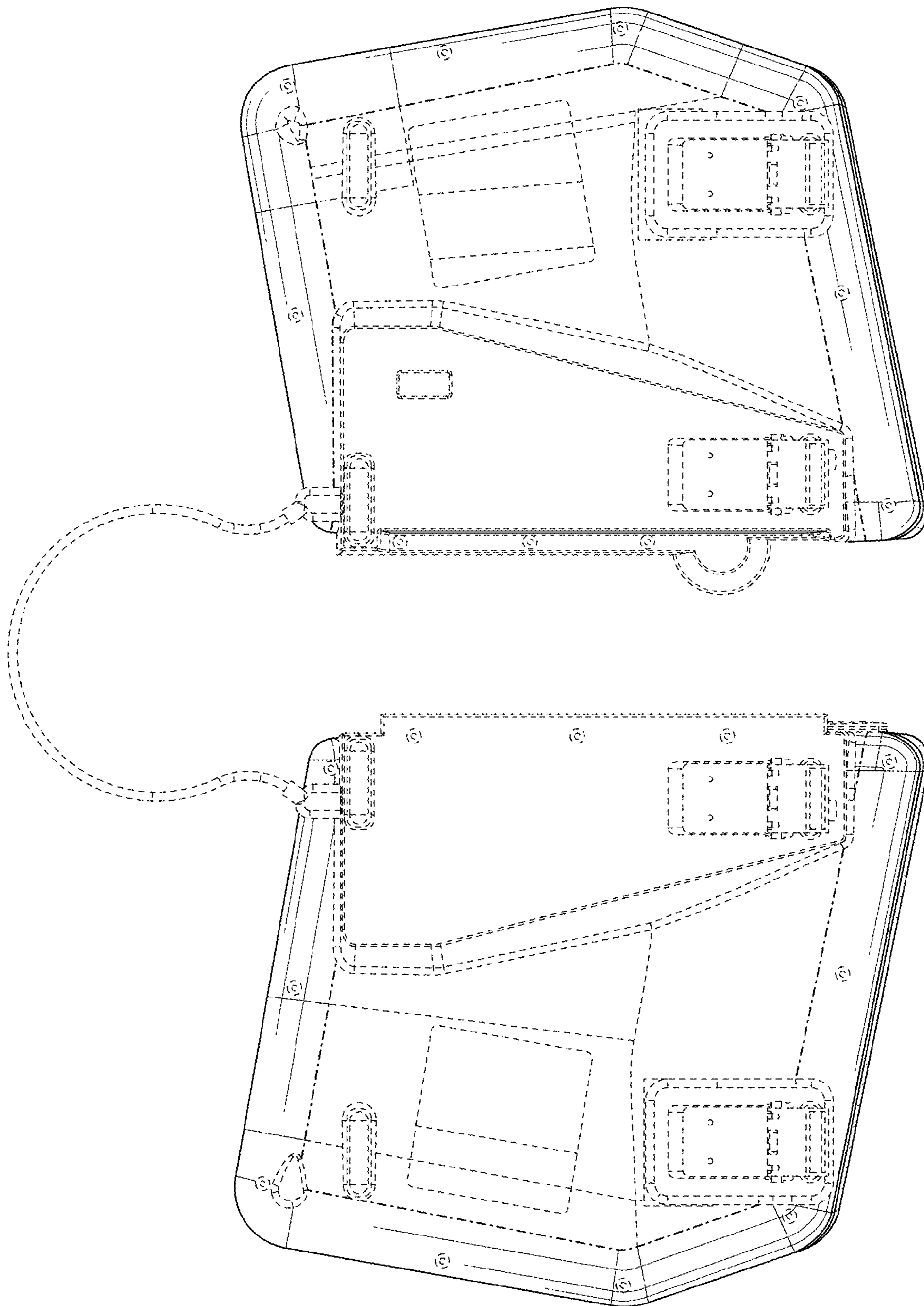


FIG. 3

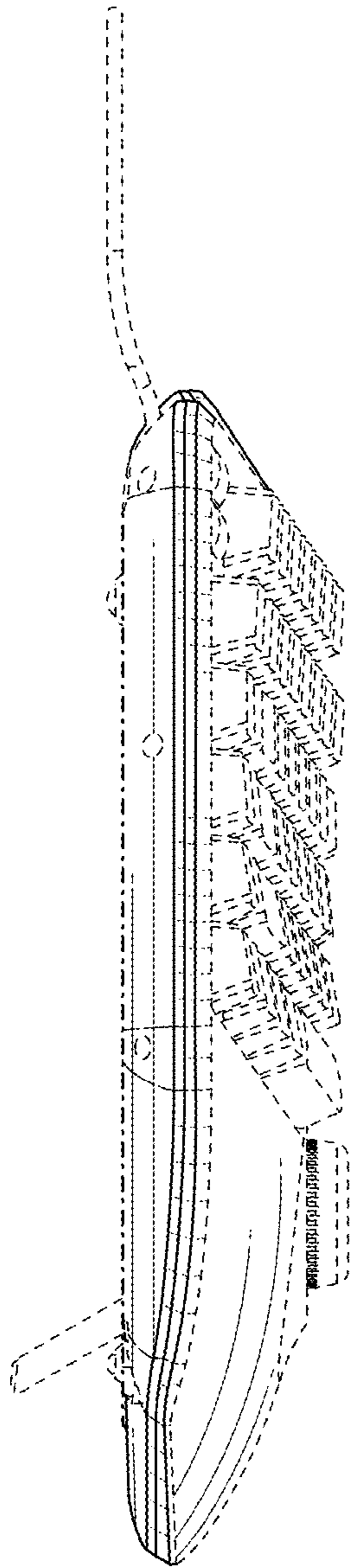


FIG. 4

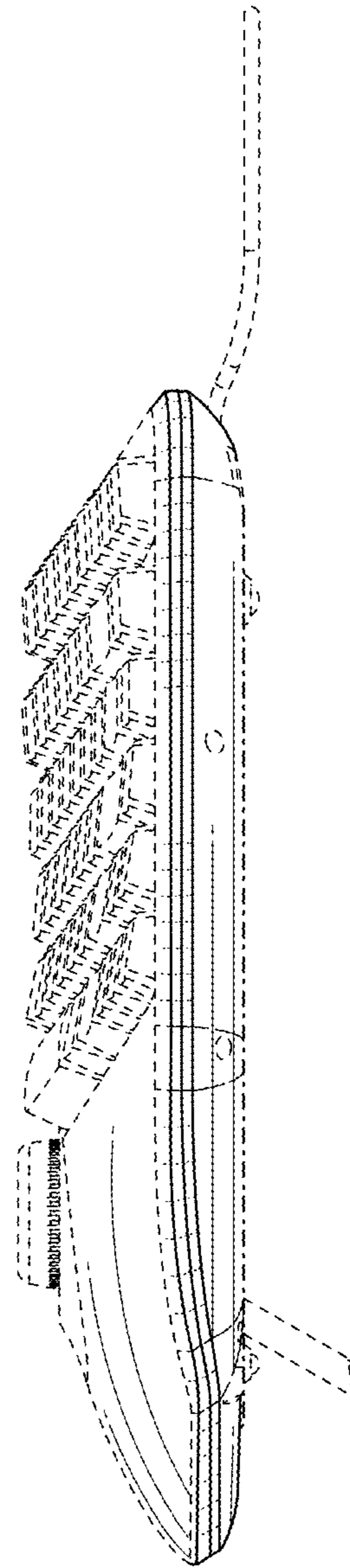


FIG. 5

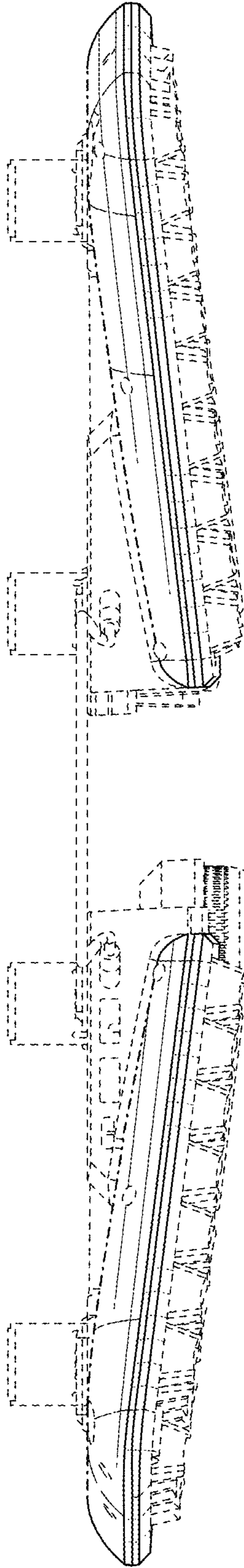


FIG. 6

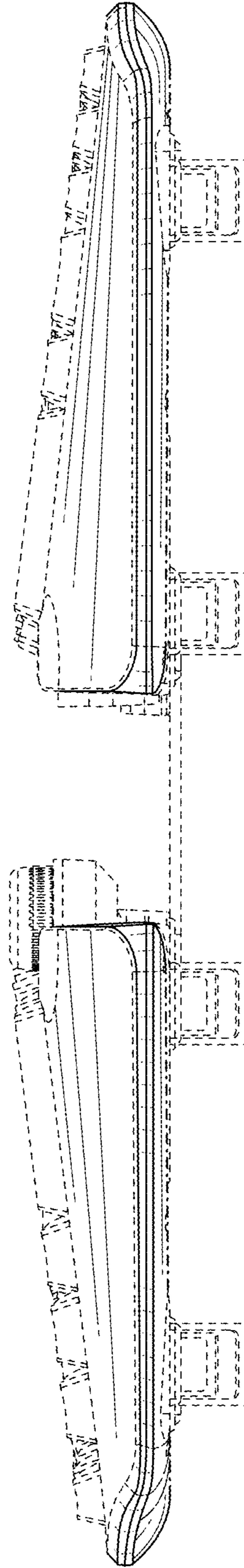


FIG. 7

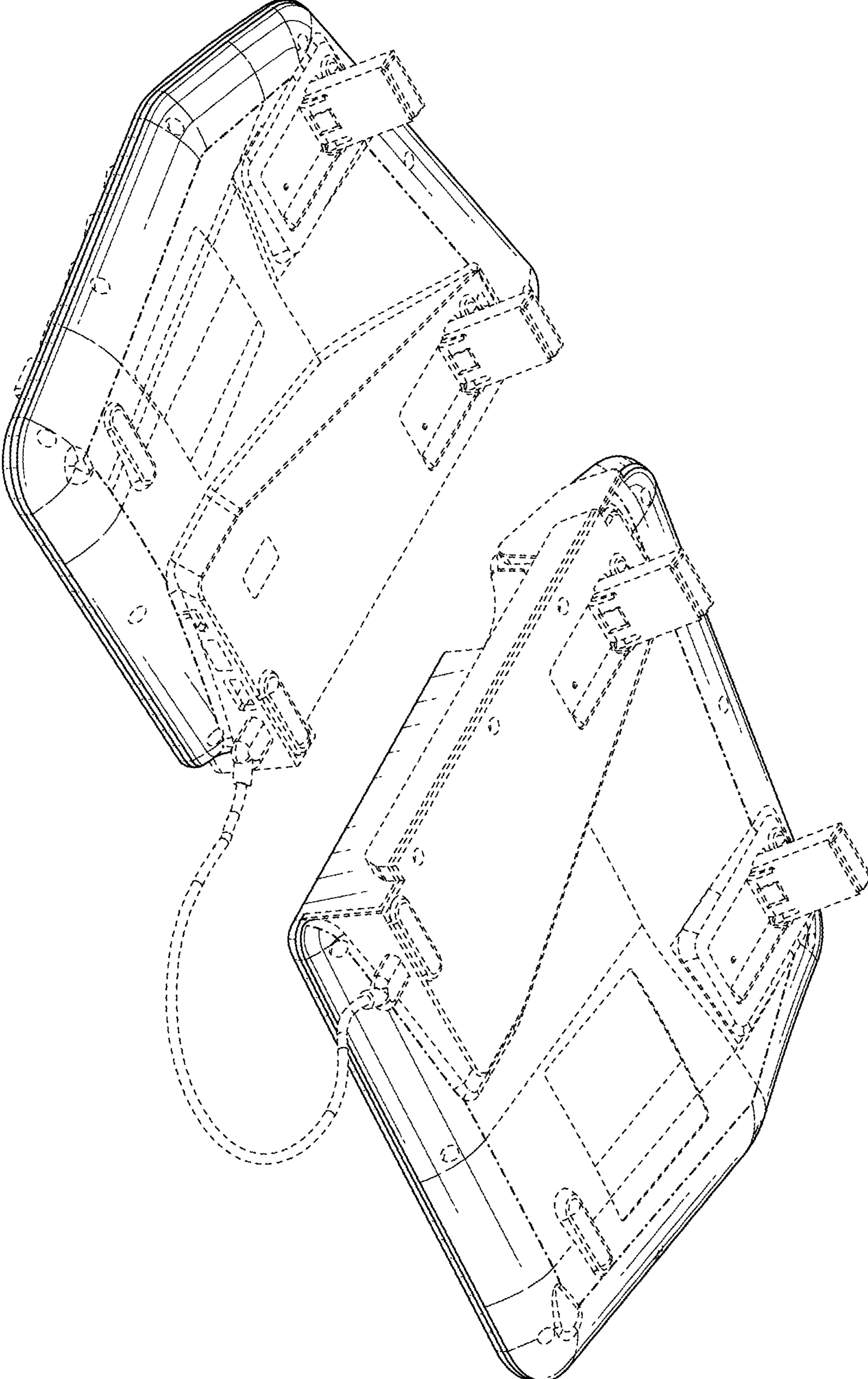


FIG. 8

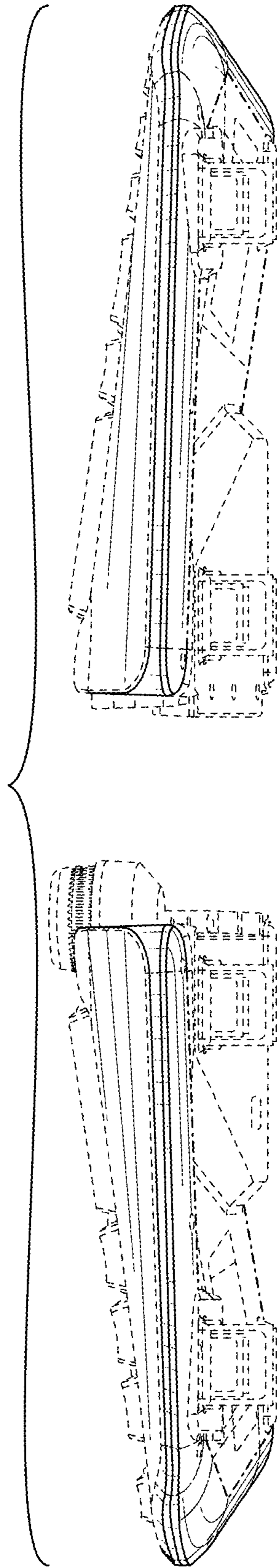


FIG. 9