



US00D985566S

(12) **United States Design Patent**
Kim et al.

(10) **Patent No.:** **US D985,566 S**
(45) **Date of Patent:** **** May 9, 2023**

(54) **MONITOR FOR COMPUTER**
(71) Applicant: **LG ELECTRONICS INC.**, Seoul (KR)
(72) Inventors: **Yongsoo Kim**, Seoul (KR); **Yeonjin Kim**, Seoul (KR); **Daihyung Ryu**, Seoul (KR)
(73) Assignee: **LG ELECTRONICS INC.**, Seoul (KR)

(**) Term: **15 Years**
(21) Appl. No.: **35/512,807**
(22) Filed: **Apr. 27, 2021**
(80) **Hague Agreement Data**
Int. Filing Date: **Apr. 27, 2021**
Int. Reg. No.: **DM/214022**
Int. Reg. Date: **Apr. 27, 2021**
Int. Reg. Pub. Date: **Oct. 29, 2021**

(30) **Foreign Application Priority Data**
Nov. 27, 2020 (KR) 30-2020-0058243
(51) **LOC (14) Cl.** **14-02**
(52) **U.S. Cl.**
USPC **D14/376**
(58) **Field of Classification Search**
USPC D14/305-307, 334-337, 339-340, 371, D14/373-382, 448-452, 125-134, 203.3, D14/203.4, 203.7, 203.8, 341-343, 345, D14/347, 356, 389, 432, 439, 507, 203.1, D14/239; D21/324, 329-330, 333; D19/113-114
CPC G06F 1/16; G06F 1/1601; G06F 1/1605; G06F 1/1607; H04N 5/64
See application file for complete search history.

(56) **References Cited**
U.S. PATENT DOCUMENTS
D826,229 S * 8/2018 Teo D14/374
D831,647 S * 10/2018 Woo D14/374

D858,473 S * 9/2019 Lee D14/126
D859,337 S * 9/2019 Lee D14/126
D872,085 S * 1/2020 Lee D14/374
D873,826 S * 1/2020 Yang D14/374
D888,677 S * 6/2020 Ryu G06F 1/1605
D14/126
D900,815 S * 11/2020 Kang D14/371
D900,816 S * 11/2020 Kim D14/374

(Continued)

OTHER PUBLICATIONS

Shilov, Anton, LG Unveils UltraGear 34GK950 34-Inch Curved Gaming Displays with Nano-IPS, posted at AnandTech, posting date Sep. 10, 2018. Site visited Oct. 8, 2022. URL: <<https://www.anandtech.com/show/13342/lg-unveils-ultragear-34gk950-34-inch-curved-gaming-displays>> (Year: 2018).*

(Continued)

Primary Examiner — Kathleen L Jones
(74) *Attorney, Agent, or Firm* — Birch, Stewart, Kolasch & Birch, LLP

(57) **CLAIM**

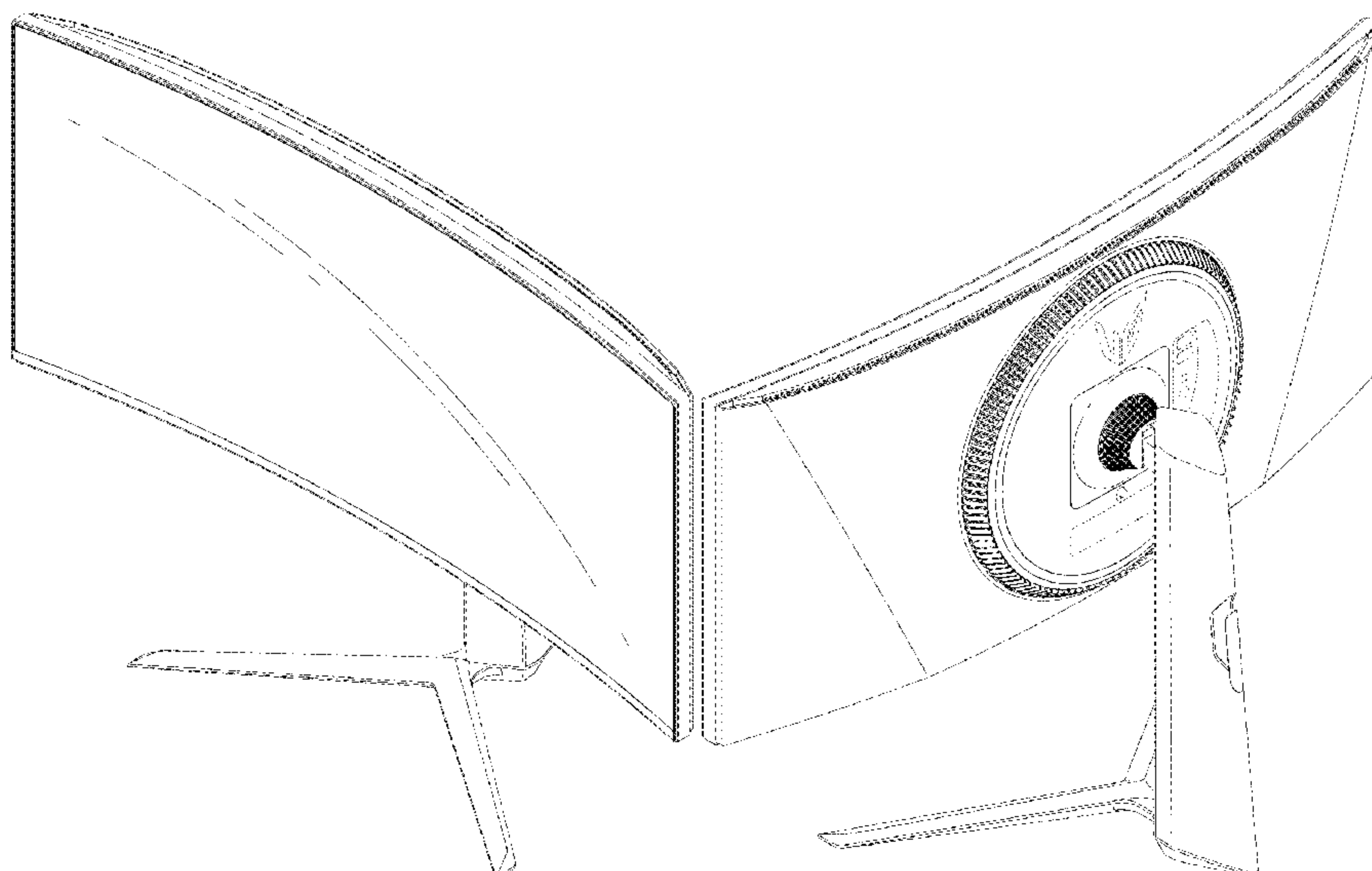
The ornamental design for a monitor for computer, as shown and described.

DESCRIPTION

- 1. Monitor for computer
- 1.1 : Perspective
- 1.2 : Rear perspective view
- 1.3 : Front
- 1.4 : Back
- 1.5 : Left
- 1.6 : Right
- 1.7 : Top
- 1.8 : Bottom

The broken lines showing portions of the monitor for computer form no part of the claimed design.

1 Claim, 8 Drawing Sheets



(56)

References Cited

U.S. PATENT DOCUMENTS

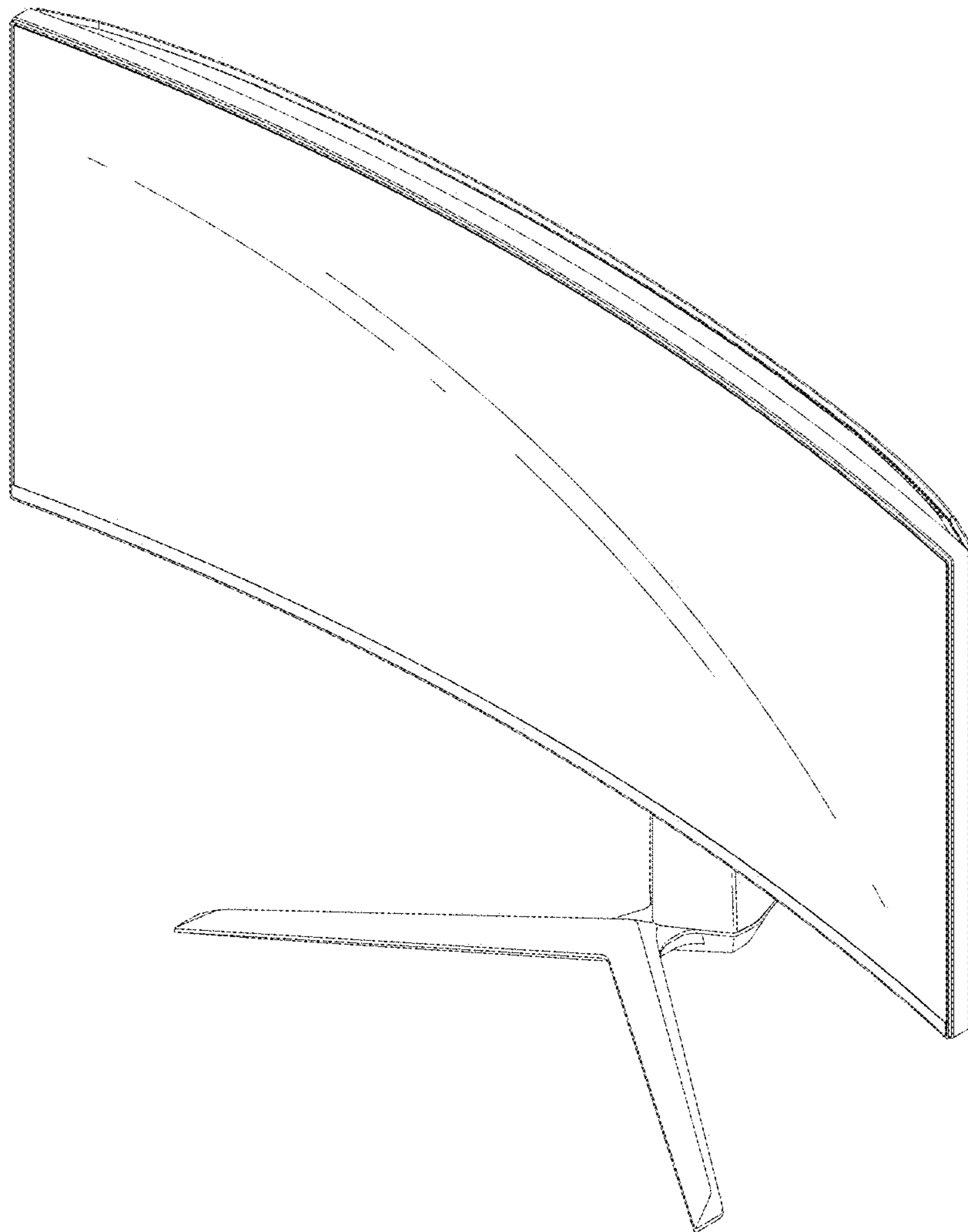
D900,817	S	*	11/2020	Ryu	D14/374
D900,818	S	*	11/2020	Kim	D14/374
D900,819	S	*	11/2020	Kim	D14/374
D900,820	S	*	11/2020	Kim	D14/374
D901,500	S	*	11/2020	Kim	D14/374
D912,668	S	*	3/2021	Kang	D14/375
D918,908	S	*	5/2021	Kang	D14/375
D924,233	S	*	7/2021	Kang	D14/371
D943,577	S	*	2/2022	Kim	D14/375
D943,578	S	*	2/2022	Kang	D14/375
D943,598	S	*	2/2022	Kim	D14/451
D944,796	S	*	3/2022	Kim	D14/376
D947,188	S	*	3/2022	Ryu	D14/374
D956,745	S	*	7/2022	Cho	D14/371
D958,787	S	*	7/2022	Kim	D14/374
D963,641	S	*	9/2022	Kim	D14/371
D963,646	S	*	9/2022	Kim	D14/375
D963,647	S	*	9/2022	Kim	D14/375

OTHER PUBLICATIONS

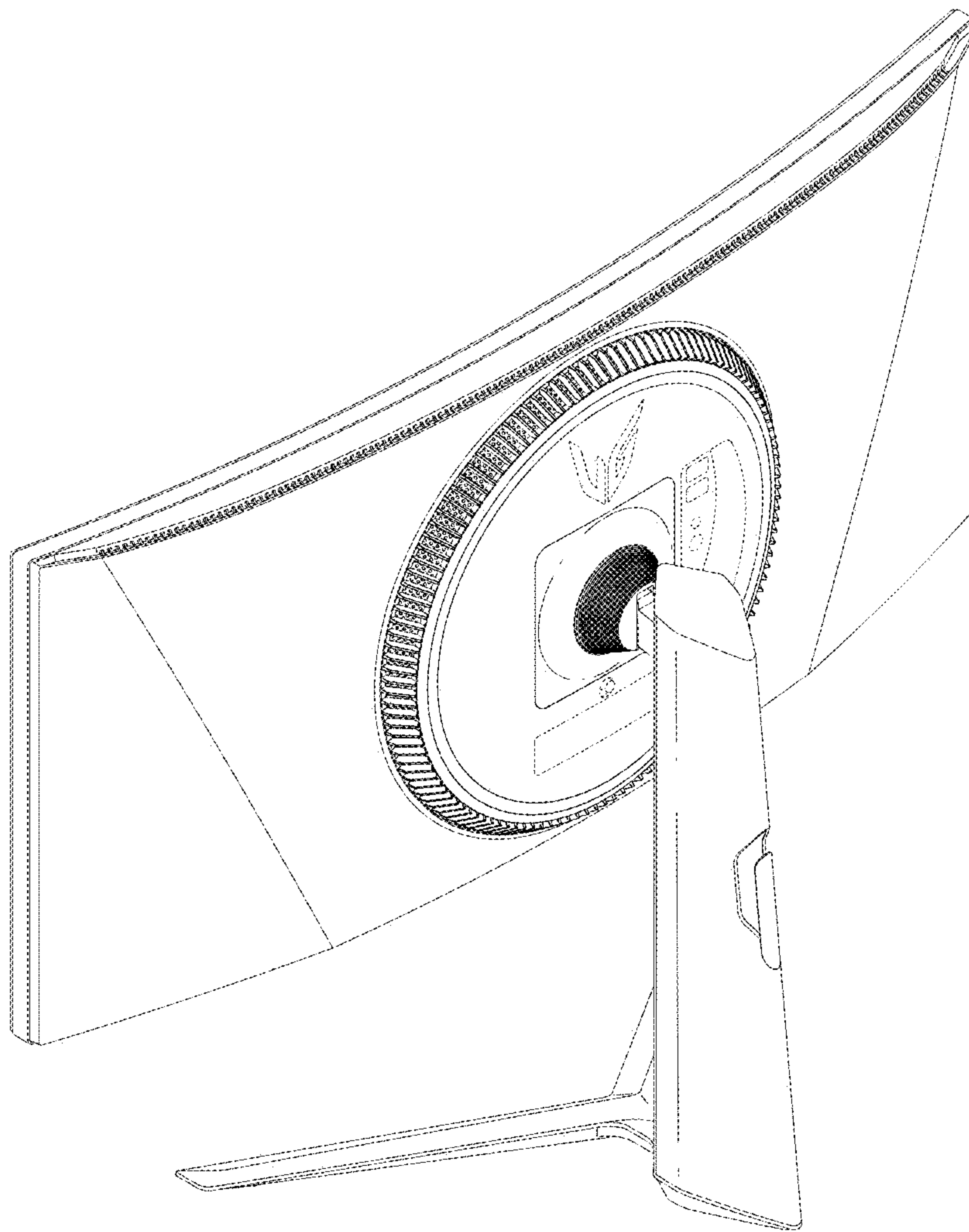
Reva, Paolo, Best Gaming Monitors to Buy in 2020, posted at MonitorNerds, posting date Oct. 29, 2020. Site visited Oct. 8, 2022. URL: <<https://monitornerds.com/best-gaming-monitors-to-buy-in-2020/>> (Year: 2020).*

* cited by examiner

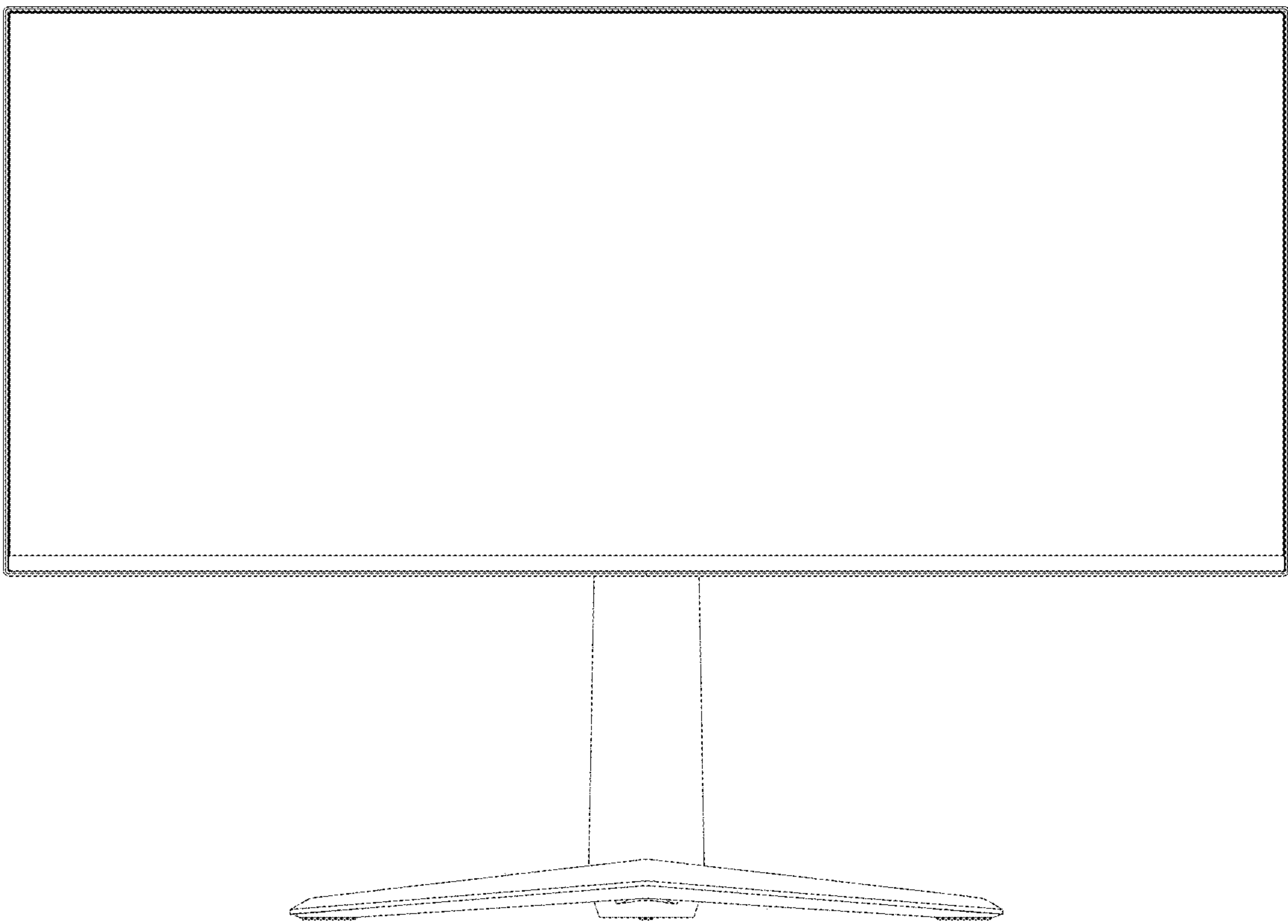
1.1



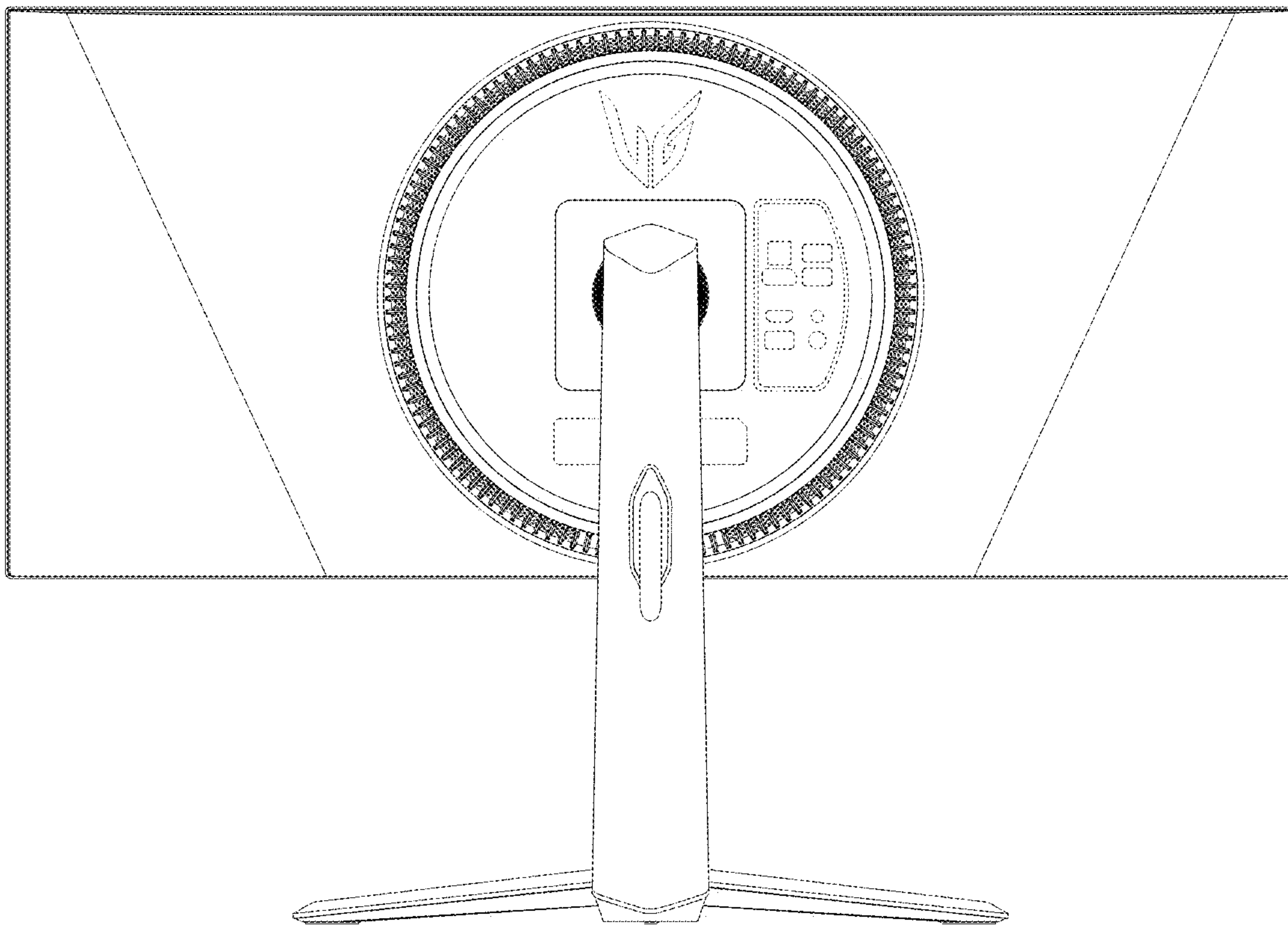
1.2



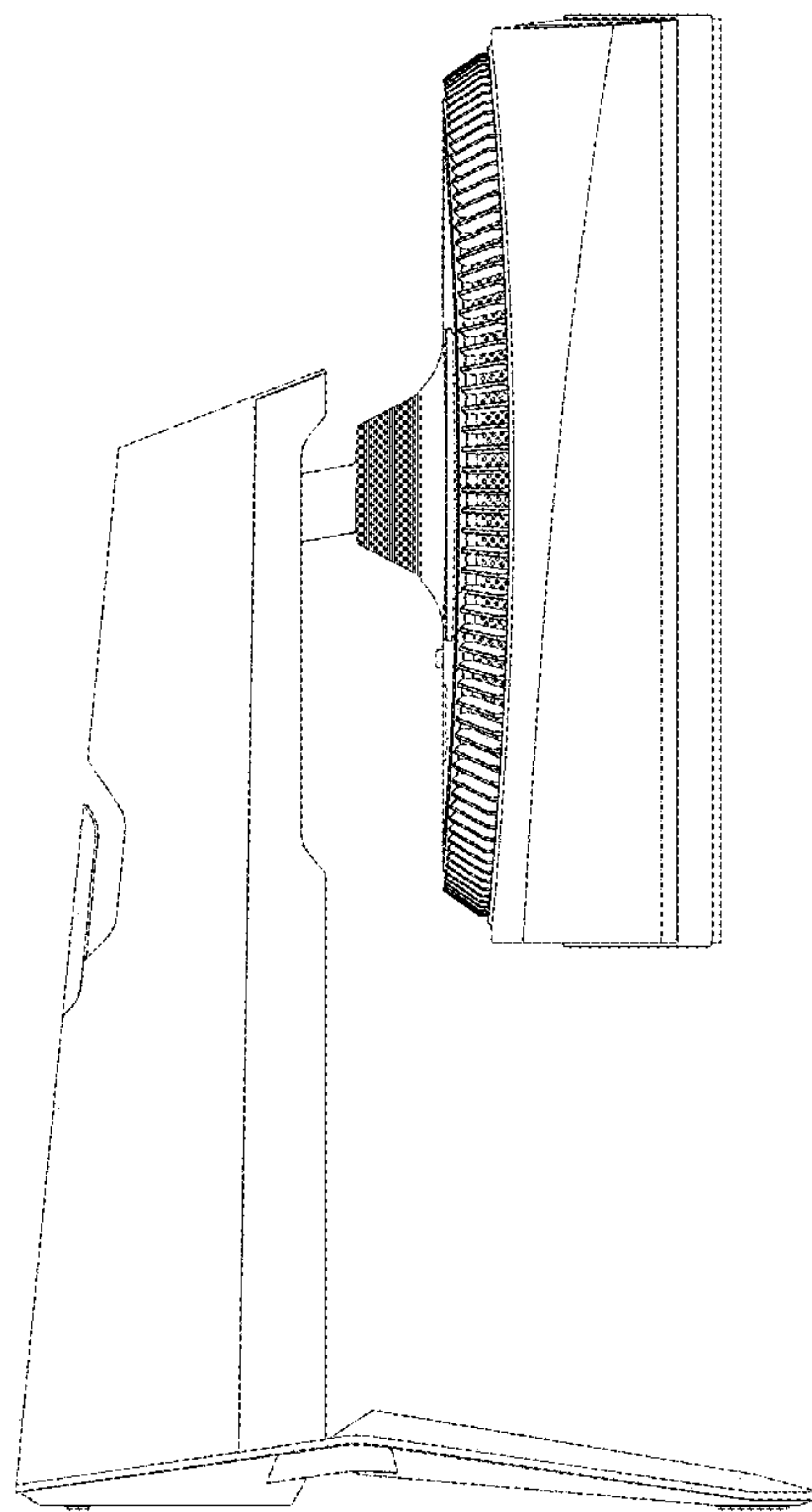
1.3



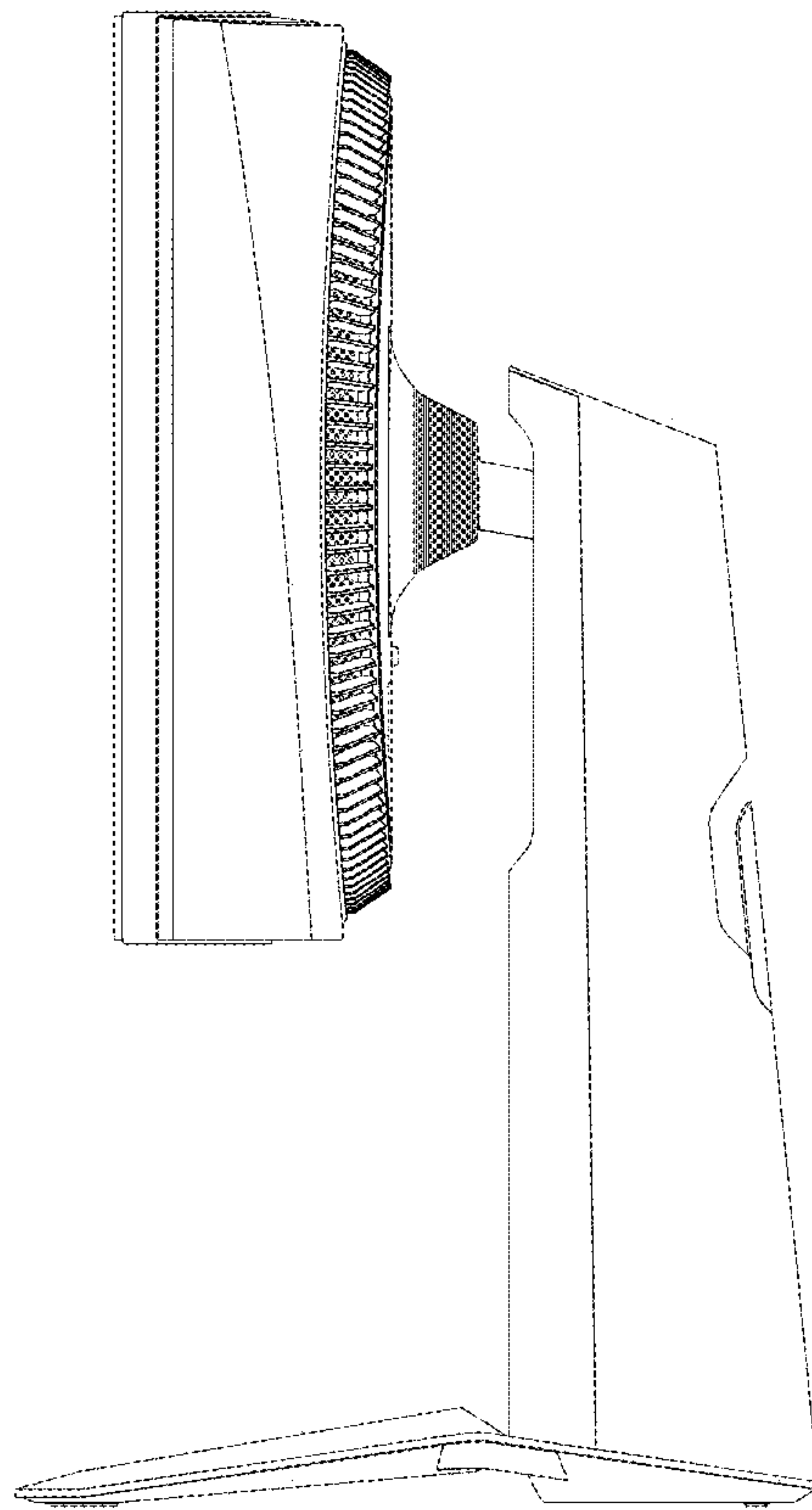
1.4



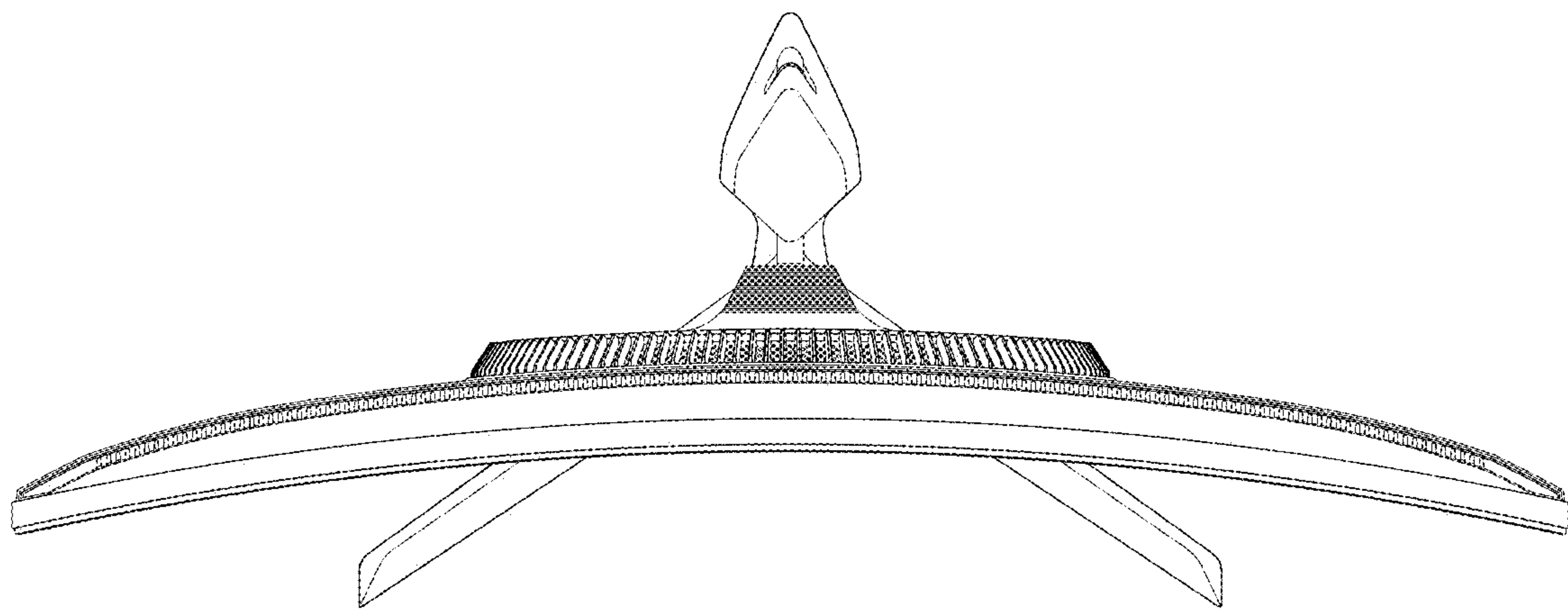
1.5



1.6



1.7



1.8

