



US00D985565S

(12) **United States Design Patent**
Bristol et al.

(10) **Patent No.:** **US D985,565 S**
(45) **Date of Patent:** **** May 9, 2023**

(54) **DISPLAY DEVICE**

(71) Applicant: **META PLATFORMS TECHNOLOGIES, LLC**, Menlo Park, CA (US)

(72) Inventors: **Peter Wesley Bristol**, Seattle, WA (US); **Chunli Chen**, Seattle, WA (US)

(73) Assignee: **META PLATFORMS TECHNOLOGIES, LLC**, Menlo Park, CA (US)

(**) Term: **15 Years**

(21) Appl. No.: **29/698,234**

(22) Filed: **Jul. 15, 2019**

(51) **LOC (14) Cl.** **14-02**

(52) **U.S. Cl.**
USPC **D14/374**

(58) **Field of Classification Search**
USPC D14/371, 374–376, 379–382, 388;
D6/300, 310–311, 308; D10/1–3, 15, 21,
D10/24–26

CPC .. H05K 5/0247; H05K 5/0017; H05K 5/0234;
H01R 43/26; H01R 13/631

See application file for complete search history.

(56) **References Cited**

U.S. PATENT DOCUMENTS

D29,573 S *	11/1898	Frankenberg et al.	D6/311
D142,056 S *	8/1945	Barrett	D6/311
2,549,928 A *	4/1951	Reefe	A47G 1/0622
				40/714
D205,771 S *	9/1966	Spiselman	D6/311
D229,538 S	12/1973	Stelfan et al.		
D235,722 S *	7/1975	Rettick	D25/119
D237,146 S	10/1975	Flumm		
D241,954 S	10/1976	King		
D269,838 S *	7/1983	Altonaga	D25/119

(Continued)

FOREIGN PATENT DOCUMENTS

CN 301410150 12/2010
CN 305396587 * 10/2019

(Continued)

OTHER PUBLICATIONS

Portal Mini—Smart Video Calling 8 Inch Touch Screen Display, Facebook, amazon.com, first available on Sep. 17, 2019 © 1996-2022 Amazon.com, Inc., online, site visited Jul. 29, 2022. Available at URL: <https://www.amazon.com/Facebook-Portal-Calling-Screen-Display/dp/B07XPWGW88?th=1> (Year: 2019).*

(Continued)

Primary Examiner — Holly E Thurman

Assistant Examiner — Altaira J Swangin

(74) *Attorney, Agent, or Firm* — Greenberg Traurig, LLP

(57) **CLAIM**

The ornamental design for a display device, as shown and described.

DESCRIPTION

FIG. 1 is a front perspective view of a display device showing the claimed design;

FIG. 2 is a rear perspective view thereof;

FIG. 3 is a front view thereof;

FIG. 4 is a rear view thereof;

FIG. 5 is a top view thereof;

FIG. 6 is a bottom view thereof;

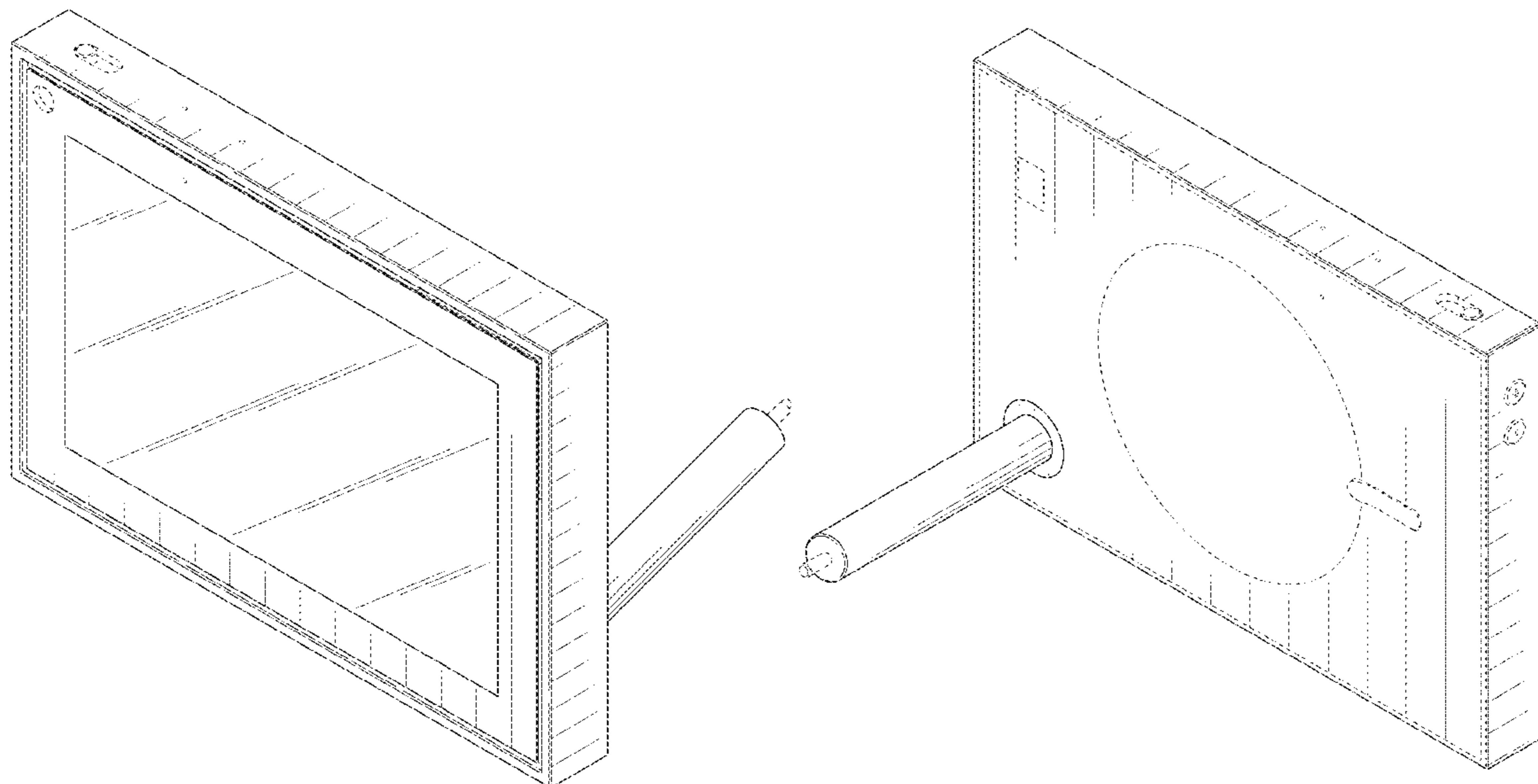
FIG. 7 is a left side view thereof; and,

FIG. 8 is a right side view thereof.

The oblique shade lines in the figures show a transparent, reflective, or shiny surface, and not surface ornamentation.

The broken lines shown in the figures illustrate portions of the display device that form no part of the claimed design.

1 Claim, 8 Drawing Sheets



(56)

References Cited

U.S. PATENT DOCUMENTS

D278,865 S * 5/1985 McCaffrey D6/311
 D314,564 S * 2/1991 Grundstrom D14/375
 D316,189 S * 4/1991 Watkins D6/301
 D353,942 S * 1/1995 Lo D6/310
 D354,750 S 1/1995 Lewis
 5,487,249 A 1/1996 Shaw et al.
 D384,821 S * 10/1997 Sugar D27/189
 D405,473 S * 2/1999 Tikhonski D6/300
 D419,700 S 1/2000 Shaw et al.
 D424,068 S * 5/2000 Takemasa D14/374
 D425,132 S * 5/2000 Zalon D20/41
 D431,909 S * 10/2000 Henry D6/300
 D432,583 S * 10/2000 Zalon D20/41
 D433,573 S * 11/2000 Rochon D6/308
 D452,995 S * 1/2002 Barry D6/300
 D456,700 S 5/2002 Miller et al.
 D461,721 S 8/2002 Ewing
 D496,923 S 10/2004 Allen
 D560,371 S * 1/2008 Liu D6/300
 D564,990 S 3/2008 Ueno
 D584,063 S * 1/2009 Mirza D6/308
 D587,466 S * 3/2009 Millilo D6/300
 D591,357 S * 4/2009 Lee D6/306
 D600,689 S * 9/2009 Jen D14/371
 D601,814 S * 10/2009 Lissola D6/311
 D610,354 S * 2/2010 Kuo D6/300
 D610,355 S * 2/2010 Chigira D14/374
 D610,356 S * 2/2010 Hoehn D6/310
 D610,814 S * 3/2010 Chigira D6/310
 D614,871 S * 5/2010 Tang D14/371
 D615,306 S * 5/2010 Ji D14/371
 D615,542 S * 5/2010 Oikawa D14/374
 D625,929 S * 10/2010 Mitchell D14/371
 D629,216 S * 12/2010 Stoddard D6/311
 D636,610 S * 4/2011 Caubel D6/300
 D637,822 S * 5/2011 Utsunomiya D6/310
 D639,266 S 6/2011 DeLorenzo et al.
 D639,267 S 6/2011 DeLorenzo et al.
 D651,812 S * 1/2012 Lee D14/371
 D663,306 S 7/2012 Barbieri
 D667,008 S * 9/2012 Oikawa D14/374
 D679,610 S 4/2013 Kang
 D694,725 S 12/2013 Marq
 8,599,570 B2 * 12/2013 Ke F16M 13/005
 361/755
 D704,716 S 5/2014 Ho
 D704,938 S * 5/2014 Mischel, Jr. D6/300
 D710,702 S 8/2014 Damatov
 8,897,033 B2 * 11/2014 Slipy H04M 1/0202
 361/679.01
 D729,793 S 5/2015 Hickok et al.
 D730,251 S 5/2015 Rindner
 D731,190 S * 6/2015 Vieira D6/311
 9,477,267 B2 * 10/2016 You F16M 11/14
 D779,242 S 2/2017 Kacin et al.
 D781,800 S 3/2017 Kluser et al.
 D789,636 S 6/2017 Gonzalez et al.
 D805,309 S * 12/2017 Moyer D6/310
 D811,752 S * 3/2018 Ross, III D14/230
 D818,723 S * 5/2018 Moyer D6/310
 D852,268 S * 6/2019 Lyons D18/4.5
 D857,475 S 8/2019 Lapp

D857,476 S 8/2019 Lapp
 D862,909 S * 10/2019 Zhou D14/371
 D884,366 S * 5/2020 Gao D14/371
 D884,367 S * 5/2020 Gao D14/371
 D893,979 S 8/2020 DeFrancia
 D900,489 S * 11/2020 Chu D14/341
 D901,192 S * 11/2020 Wang D14/371
 10,863,268 B1 * 12/2020 Torigoe H04R 1/24
 D919,307 S * 5/2021 Ross, III D14/230
 D922,952 S 6/2021 Alexander
 D926,772 S 8/2021 Burmester
 D927,496 S 8/2021 Burmester
 D936,978 S * 11/2021 Peng D6/308
 11,294,430 B1 * 4/2022 Bristol G06F 1/1605
 D951,658 S * 5/2022 Ross, III D14/230
 D952,360 S * 5/2022 Zhao D14/230
 D959,157 S * 8/2022 Peng D6/310
 D961,941 S * 8/2022 Grace D6/300
 D962,656 S * 9/2022 Wang D6/308
 D962,658 S * 9/2022 Lu D14/371
 D965,308 S * 10/2022 Chen D14/371
 D965,992 S * 10/2022 Zhang D14/371
 D973,625 S 12/2022 Yu
 2005/0189384 A1 9/2005 Smith
 2008/0297438 A1 12/2008 Lin
 2014/0248076 A1 9/2014 Shaw
 2015/0318731 A1 11/2015 Rakoczy et al.
 2021/0081003 A1 * 3/2021 Bristol H04M 1/6008
 2021/0084782 A1 * 3/2021 Bristol H05K 5/0247

FOREIGN PATENT DOCUMENTS

CN 305419648 * 11/2019
 IN 325276-001.0001 * 6/2021
 JP D1674954 * 12/2020
 JP D1674955 * 12/2020
 KR 3020100001217 9/2010
 KR 301079341.0002 * 10/2020
 KR 301079341.0001 * 11/2020
 KR 301079341.0003 * 1/2021

OTHER PUBLICATIONS

Raspberry Pi Touch Screen, Waveshare, amazon.com, first available on Nov. 24, 2017 © 1996-2022 Amazon.com, Inc., online, site visited Jul. 29, 2022. Available at URL: <https://www.amazon.com/13-3inch-HDMI-LCD-case-Resolution/dp/B077PTMPSX> (Year: 2017).*

Digital Photo Frame—Mint Frame, Mint Select, yankodesign.com, published by Long Train on Aug. 27, 2009 © Yanko Design 2000-2022, online, site visited Oct. 20, 2022. Available at URL: <https://www.yankodesign.com/2009/08/27/digital-photo-frame-packed-with-features/> (Year: 2009).*

“VFD823-50 Digital Photo Frame, Viewsonic,” Tigerdirect.com, Dec. 16, 2010, Retrieved from Internet URL: <https://www.tigerdirect.com/applications/SearchTools/item-details.asp?EdpNo=6680851#img3>, 7 pages.

Amazon, “Echo Show 15” Jun. 19, 2022 [online] [Retrieved on Jan. 23, 2023], 18 pages, Retrieved from the Internet URL: <https://www.amazon.com/echo-show-15-smart-display-with-alexa/dp/B08MQLDFF6/>.

* cited by examiner

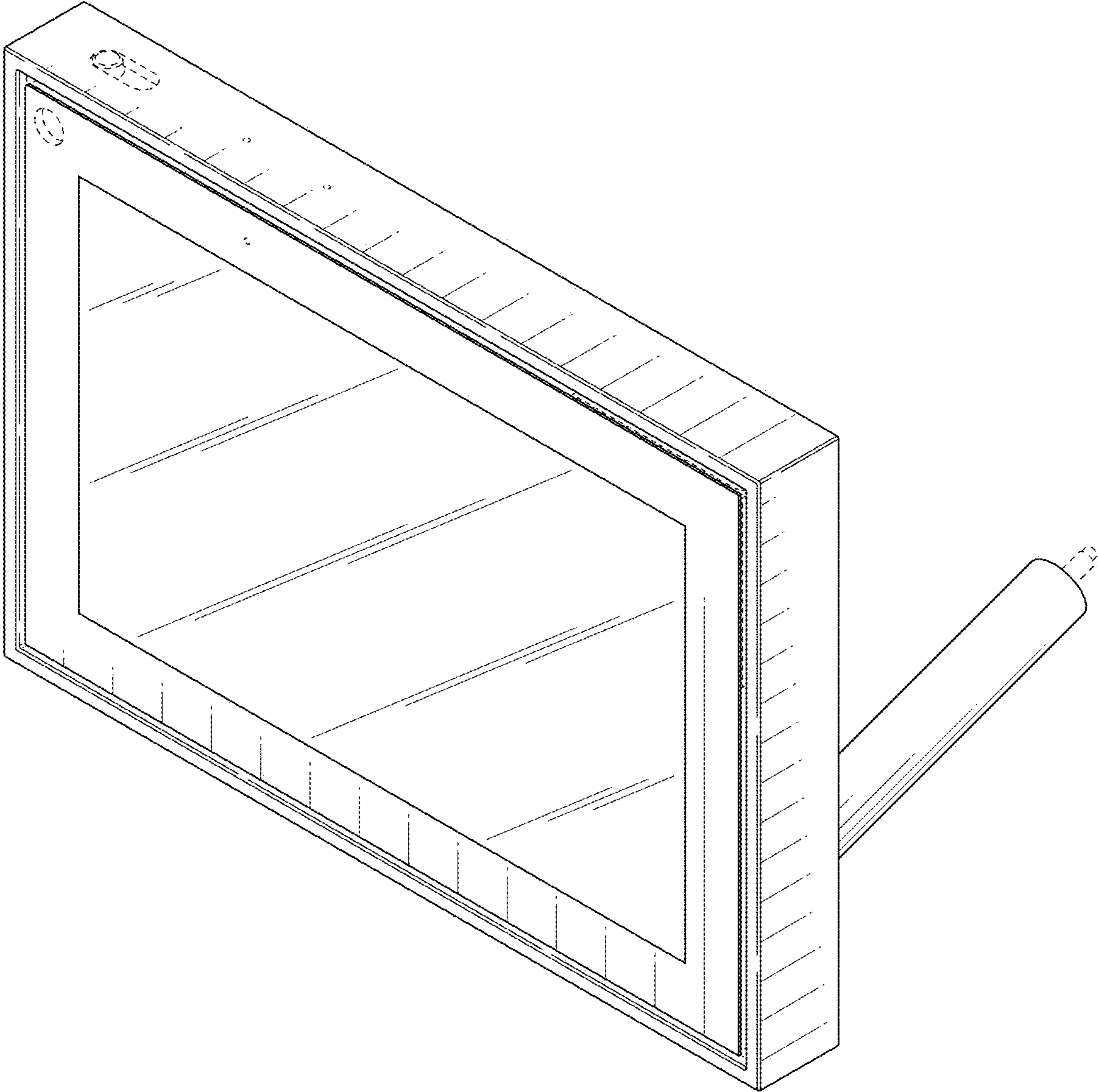


FIG. 1

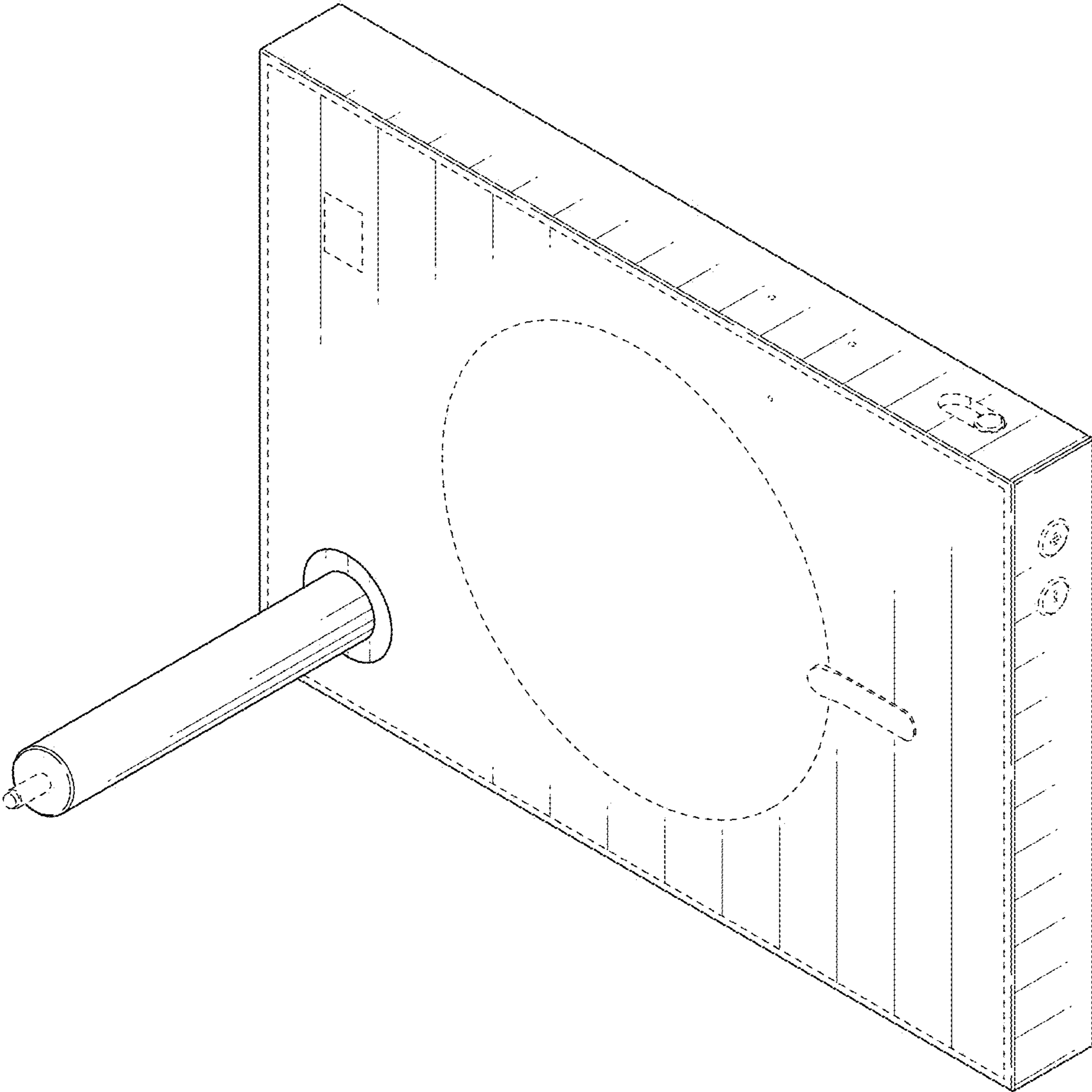


FIG. 2

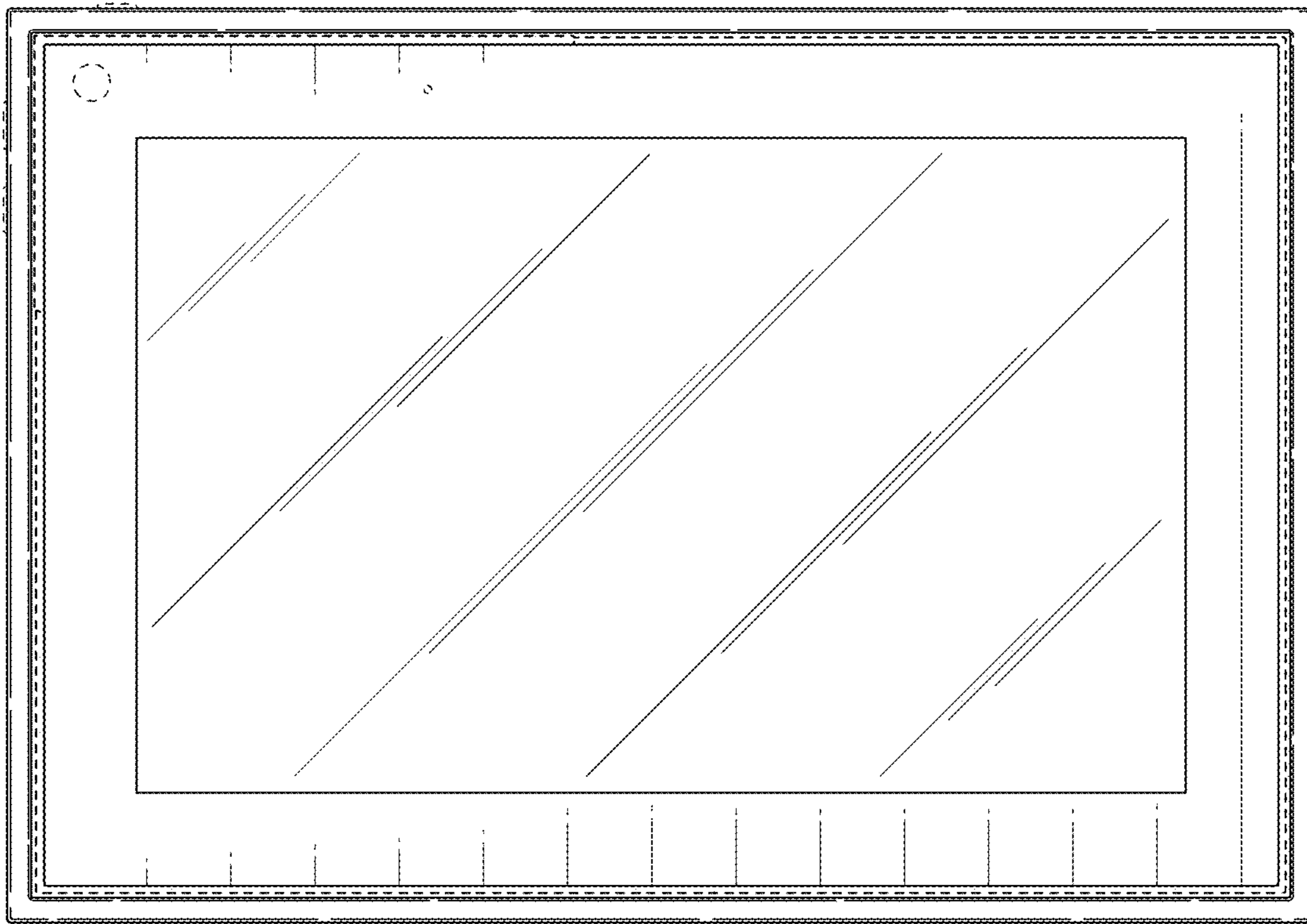


FIG. 3

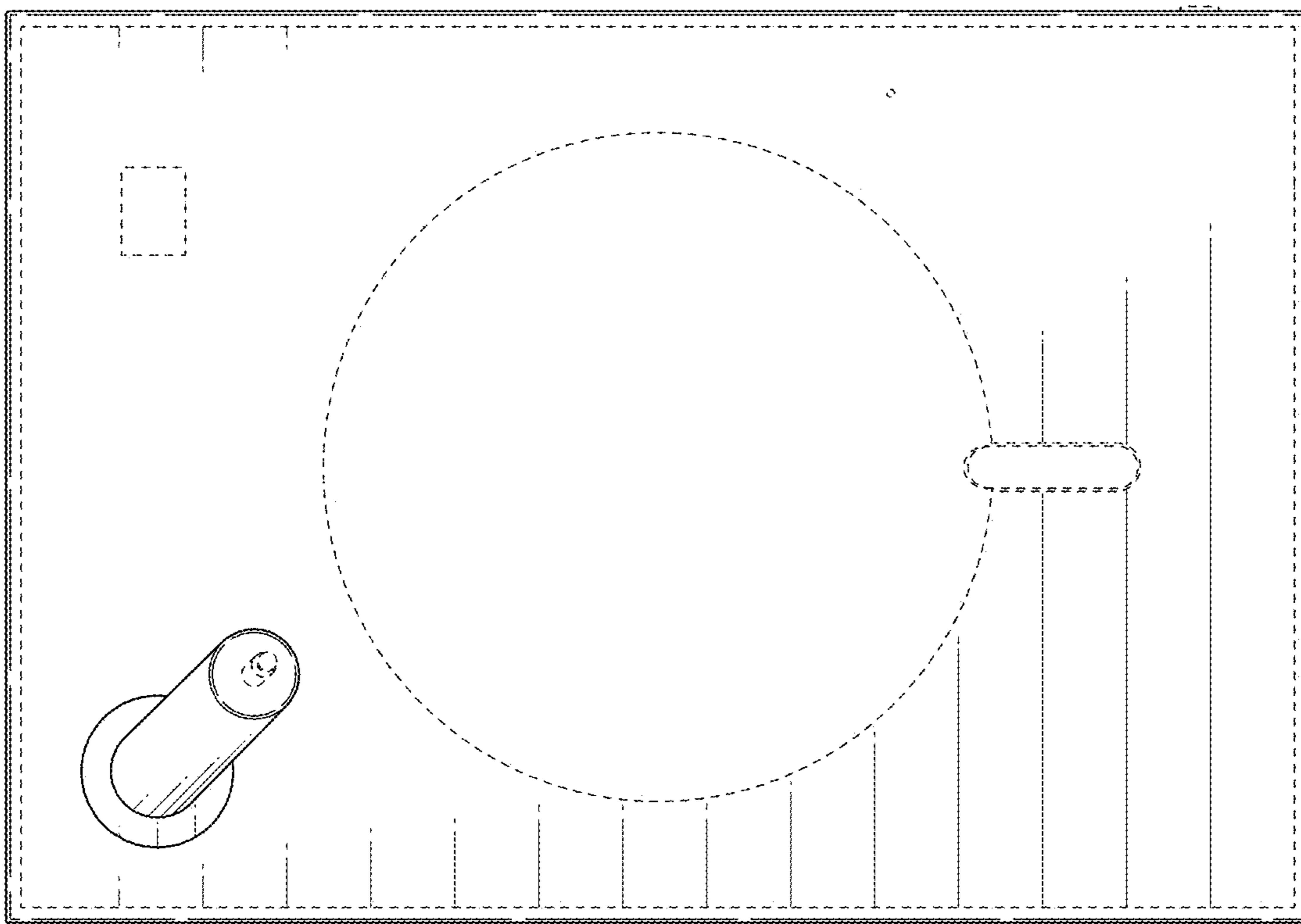


FIG. 4

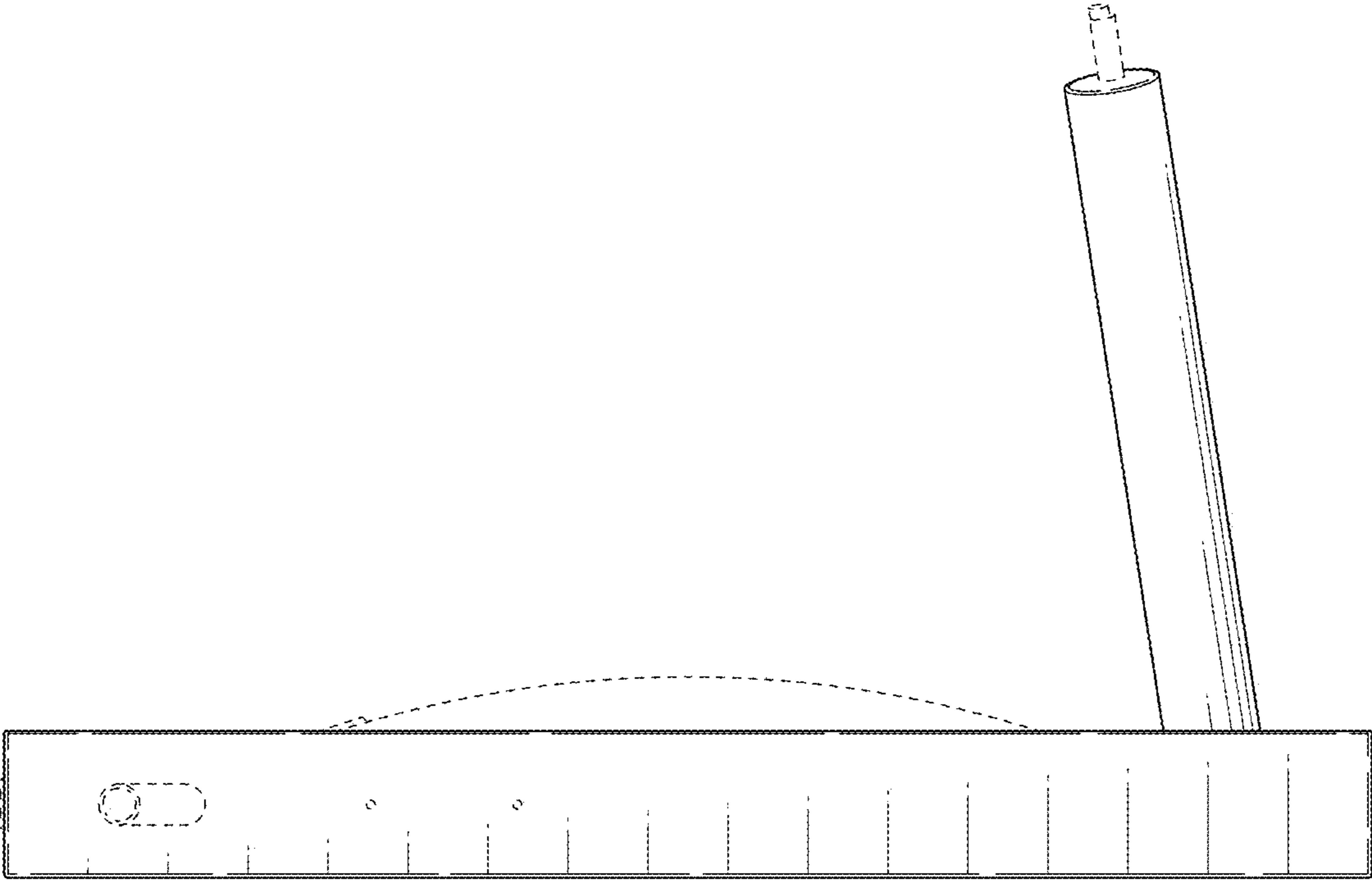


FIG. 5

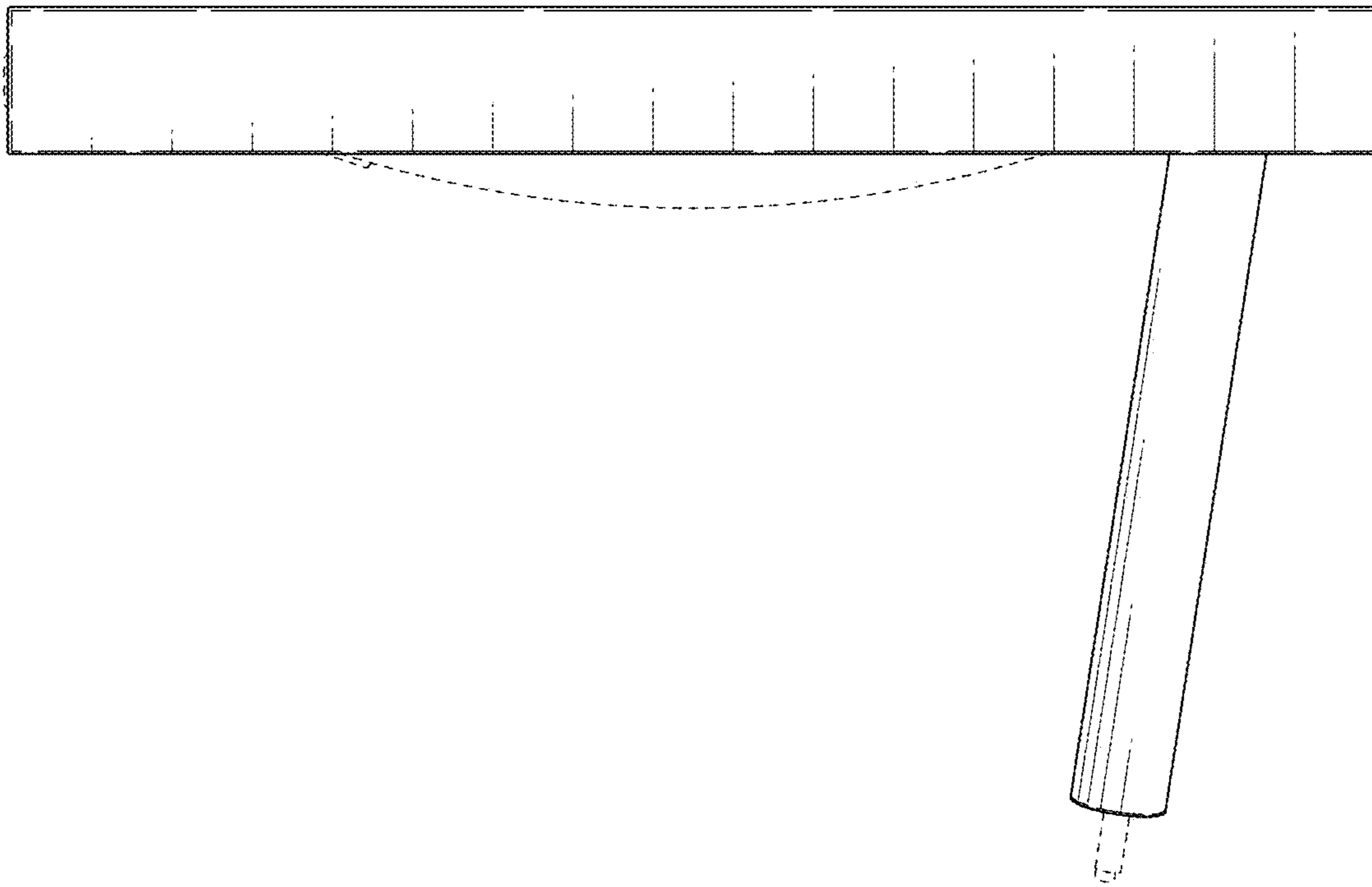


FIG. 6

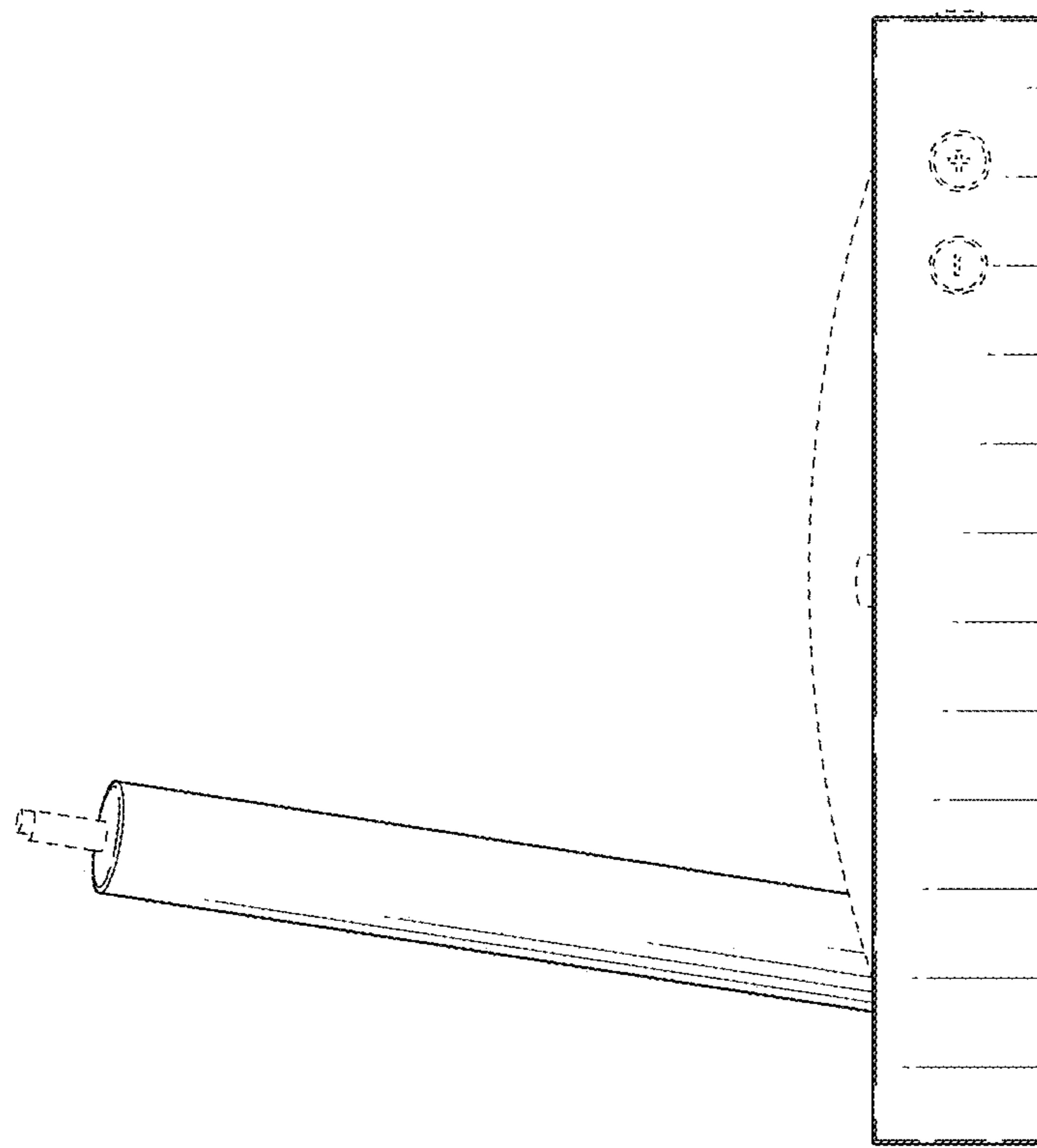


FIG. 7

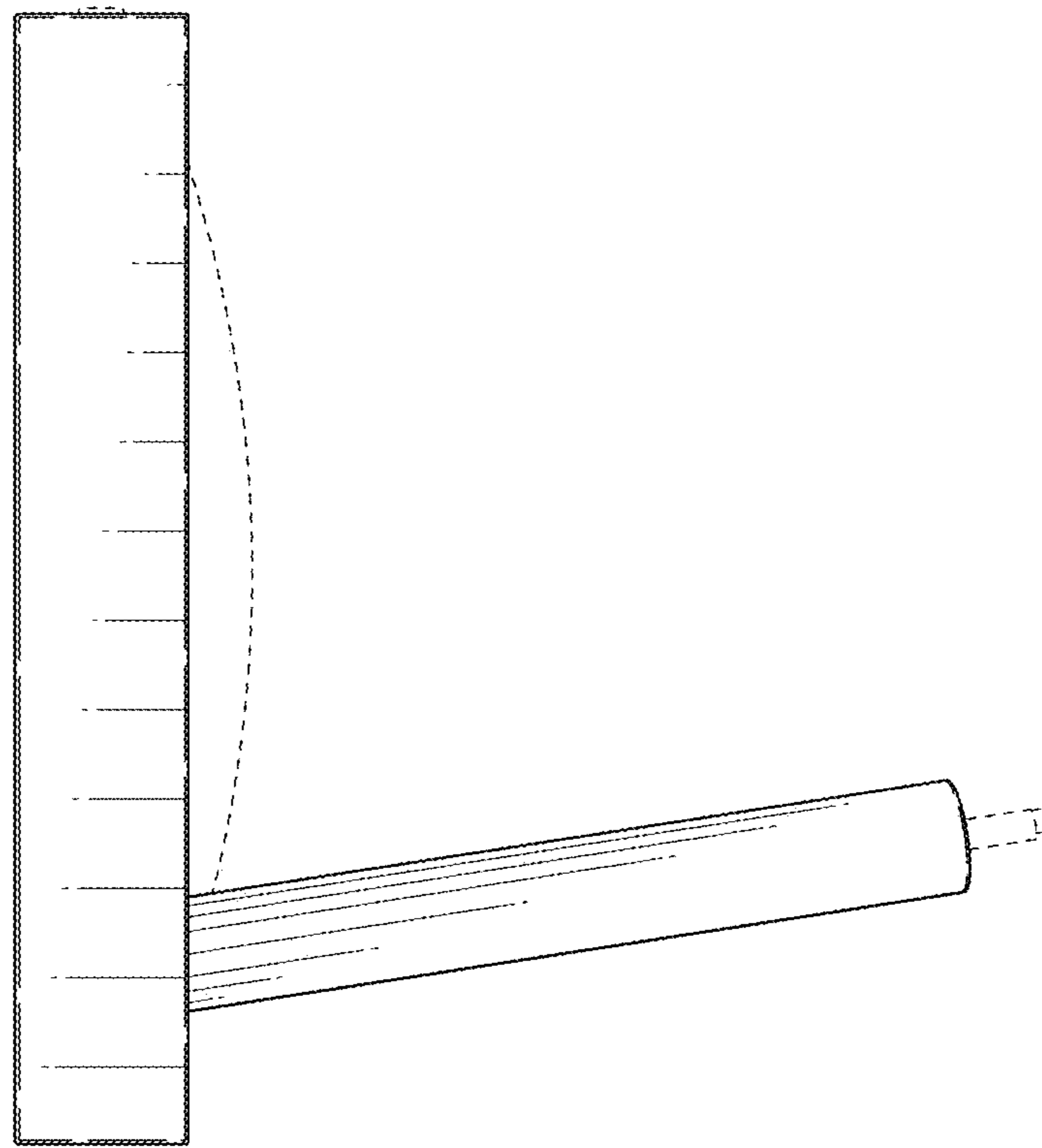


FIG. 8