



US00D985562S

(12) **United States Design Patent**  
**Kim et al.**

(10) **Patent No.:** **US D985,562 S**

(45) **Date of Patent:** **\*\* May 9, 2023**

(54) **HEAD-MOUNTED DISPLAY**

(71) Applicant: **SAMSUNG ELECTRONICS CO., LTD.**, Suwon-si (KR)

(72) Inventors: **Myung-Kyu Kim**, Suwon-si (KR); **Min-Ki Ham**, Suwon-si (KR); **Han-Gil Song**, Suwon-si (KR); **Tae-Hun Ko**, Suwon-si (KR); **Jong-Hyuk Bae**, Suwon-si (KR)

(73) Assignee: **SAMSUNG ELECTRONICS CO., LTD.**, Gyeonggi-Do (KR)

(\*\*) Term: **15 Years**

(21) Appl. No.: **29/797,826**

(22) Filed: **Jul. 2, 2021**

(30) **Foreign Application Priority Data**

Jan. 21, 2021 (KR) ..... 30-2021-0003290

(51) **LOC (14) Cl.** ..... **14-02**

(52) **U.S. Cl.**  
USPC ..... **D14/372**

(58) **Field of Classification Search**  
USPC ..... D14/372, 496, 432, 371, 125, 126, 129, D14/299; D16/300-342; 351/158, 153, 351/144; 345/7-9, 905; 455/344; 348/115, 53, 121, 739  
CPC ..... G02B 27/017; G02B 27/0158; G02B 27/0161; G02B 27/0181; G02B 27/0185; G02B 27/0189  
See application file for complete search history.

(56) **References Cited**

**U.S. PATENT DOCUMENTS**

D649,177 S \* 11/2011 Cho ..... D16/326  
D738,373 S \* 9/2015 Davies ..... D14/372

D751,551 S \* 3/2016 Ho ..... D14/372  
D782,477 S \* 3/2017 Cazalet ..... D14/372  
D792,400 S \* 7/2017 Osterhout ..... D14/372  
D810,182 S \* 2/2018 Porter ..... D16/309  
D827,701 S \* 9/2018 Nguyen ..... D14/372  
D833,500 S \* 11/2018 Su ..... D16/300  
D849,822 S \* 5/2019 Marron ..... D16/309  
D856,402 S \* 8/2019 Miera ..... D16/300  
D862,466 S \* 10/2019 He ..... D14/372  
D864,959 S \* 10/2019 Osterhout ..... D14/372  
D865,040 S \* 10/2019 Schaal ..... D16/309  
D886,103 S \* 6/2020 He ..... D14/372  
D887,408 S \* 6/2020 Green ..... D14/372  
D888,053 S \* 6/2020 Rao ..... D14/372  
D900,092 S \* 10/2020 Villalpando ..... D14/372  
D900,093 S \* 10/2020 Lee ..... D14/372  
D900,920 S \* 11/2020 Cohen ..... D16/309  
D918,902 S \* 5/2021 Ko ..... D14/372  
D918,905 S \* 5/2021 Osterhout ..... D14/372  
D923,006 S \* 6/2021 Villalpando ..... D14/372  
D937,261 S \* 11/2021 Ko ..... D14/372  
D942,450 S \* 2/2022 Hu ..... D14/372

(Continued)

*Primary Examiner* — Austin Murphy

(74) *Attorney, Agent, or Firm* — Cantor Colburn LLP

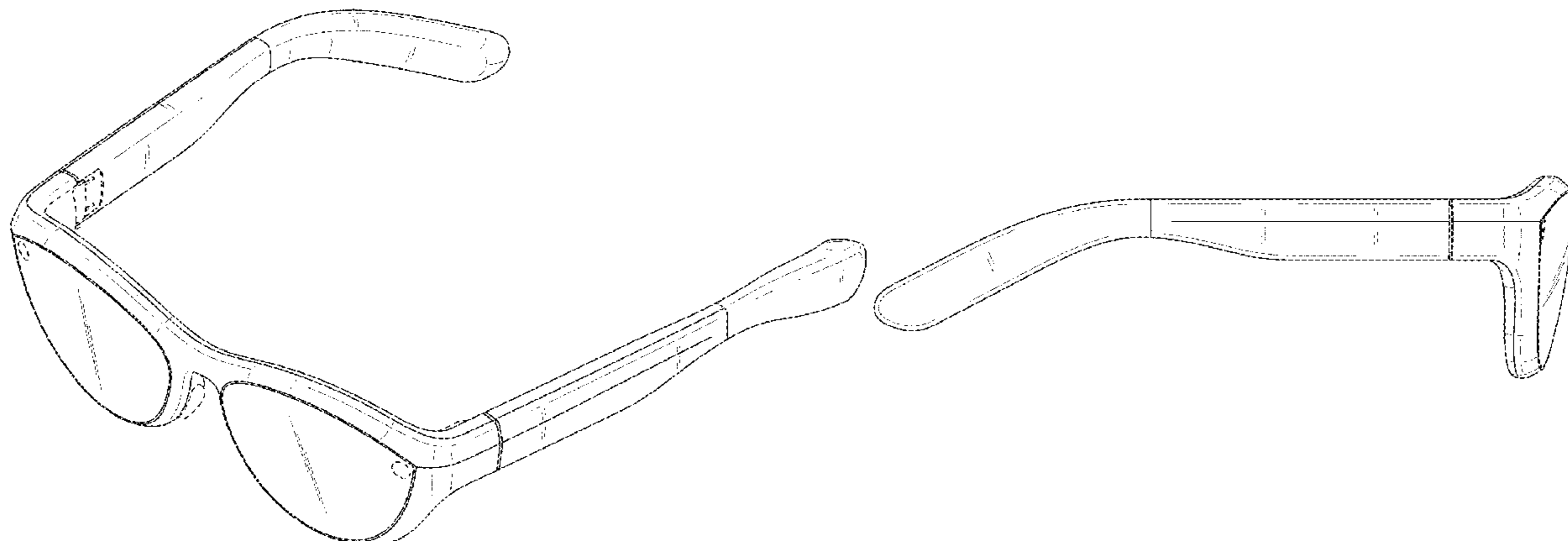
(57) **CLAIM**

The ornamental design for a head-mounted display, as shown and described.

**DESCRIPTION**

FIG. 1 is a front perspective view of a head-mounted display, showing our new design;  
FIG. 2 is a front view thereof;  
FIG. 3 is a rear view thereof;  
FIG. 4 is a left-side view thereof;  
FIG. 5 is a right-side view thereof;  
FIG. 6 is a top view thereof; and,  
FIG. 7 is a bottom view thereof.  
The evenly dashed broken lines illustrating portions of the head-mounted display form no part of the claimed design.

**1 Claim, 7 Drawing Sheets**



(56)

**References Cited**

U.S. PATENT DOCUMENTS

D944,247 S *	2/2022	Cho .....	D14/372
2016/0048025 A1 *	2/2016	Cazalet .....	G02B 27/0176
			351/116
2016/0274365 A1 *	9/2016	Bailey .....	G09G 3/02
2017/0108714 A1 *	4/2017	Kuczewski .....	G02C 5/146
2019/0384064 A1 *	12/2019	Lee .....	G06F 1/163

\* cited by examiner

FIG. 1

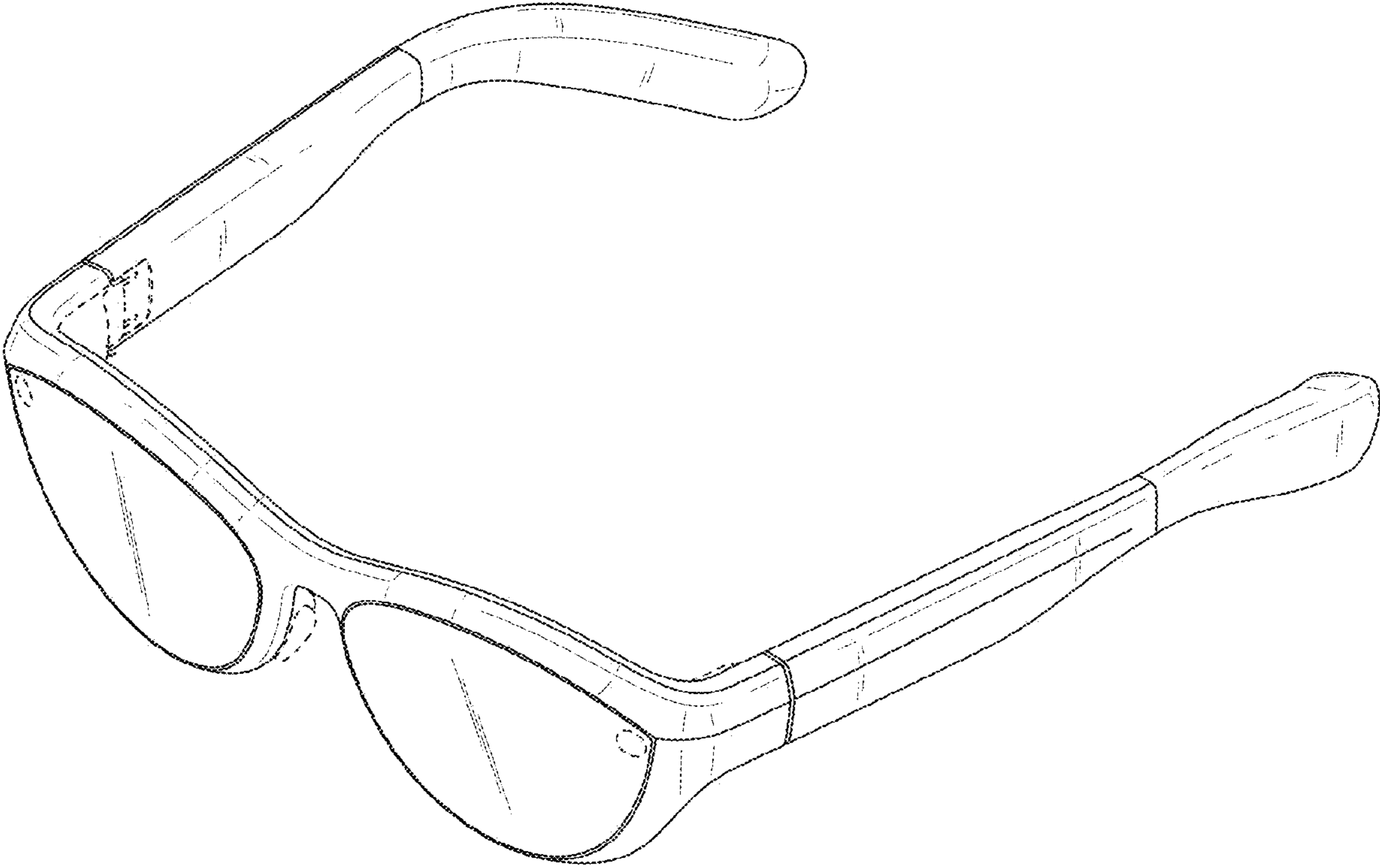


FIG. 2

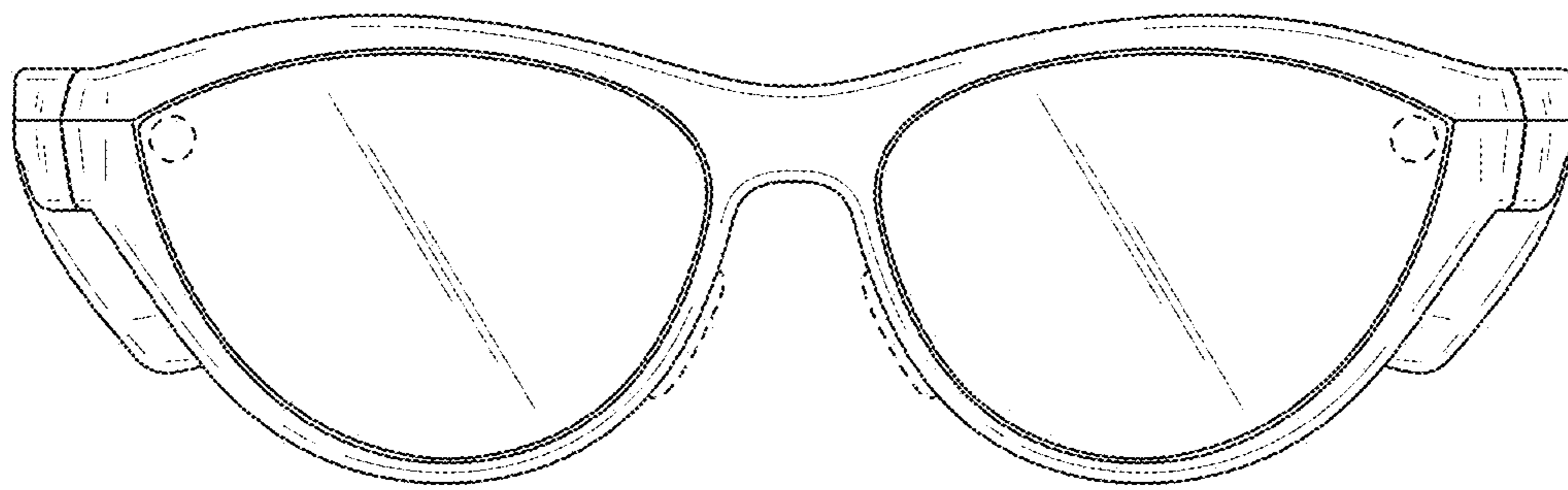


FIG. 3

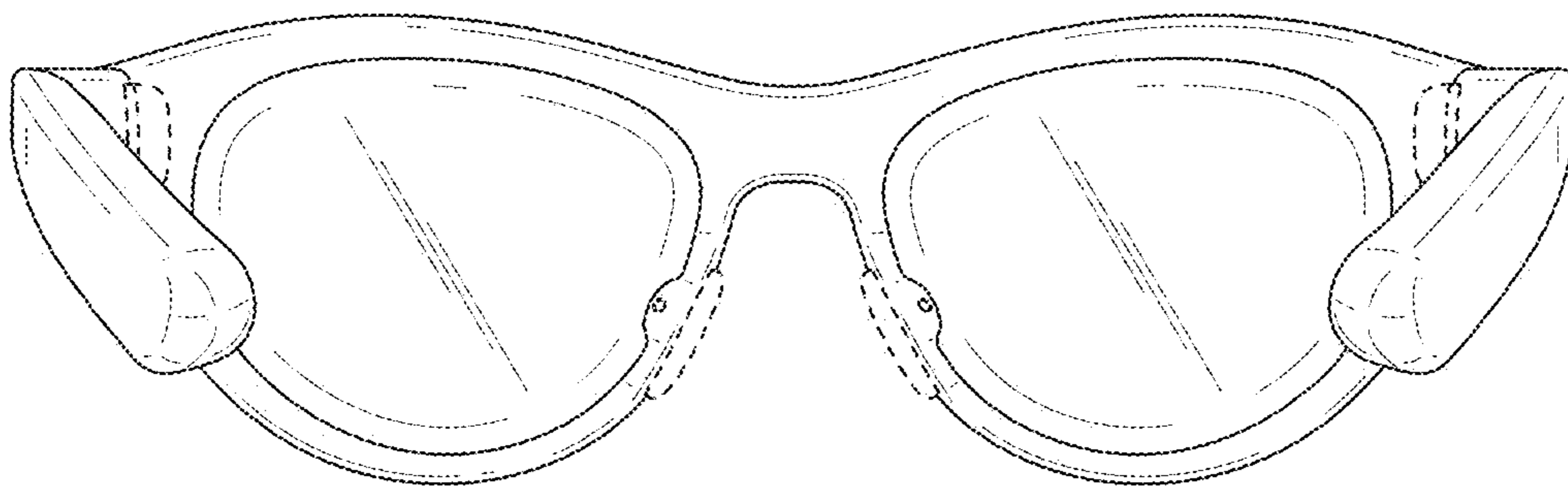


FIG. 4

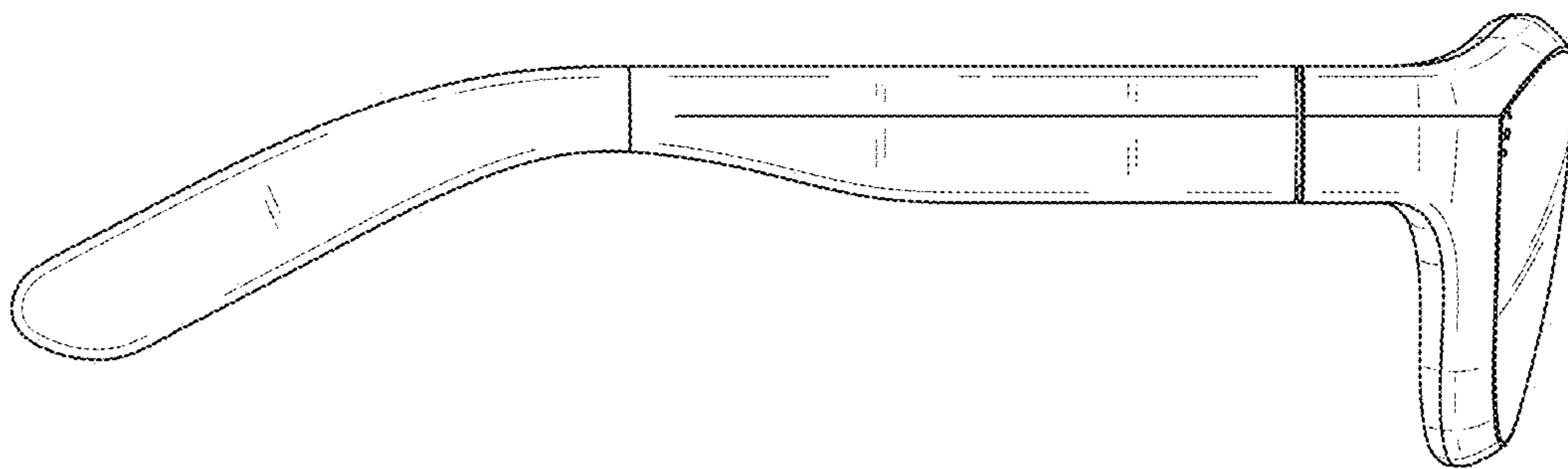


FIG. 5

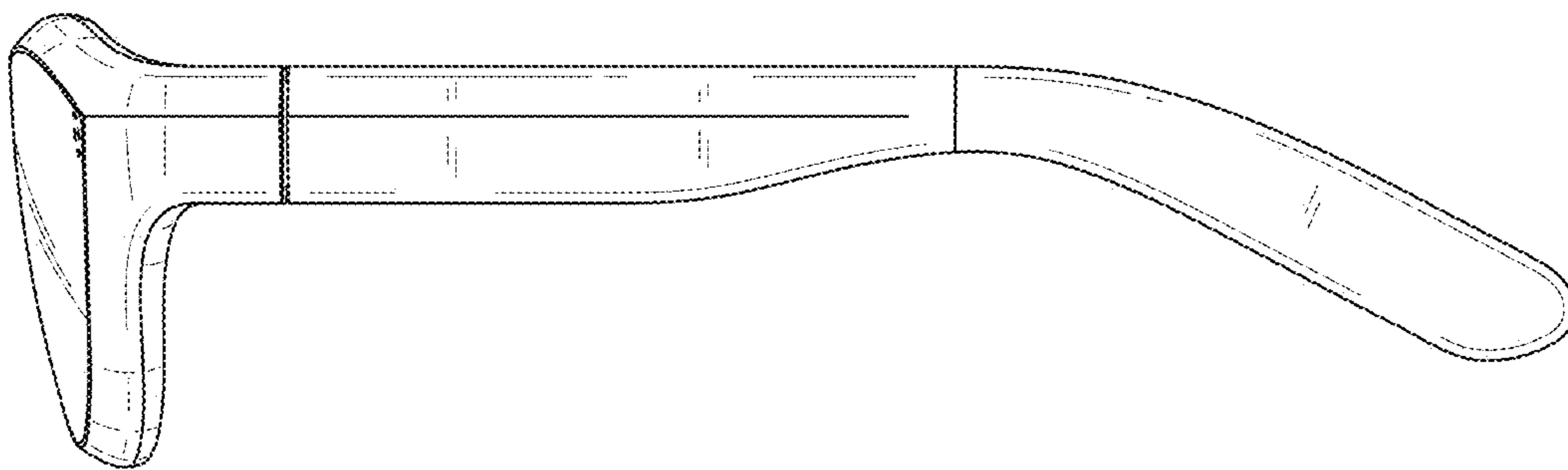




FIG. 6

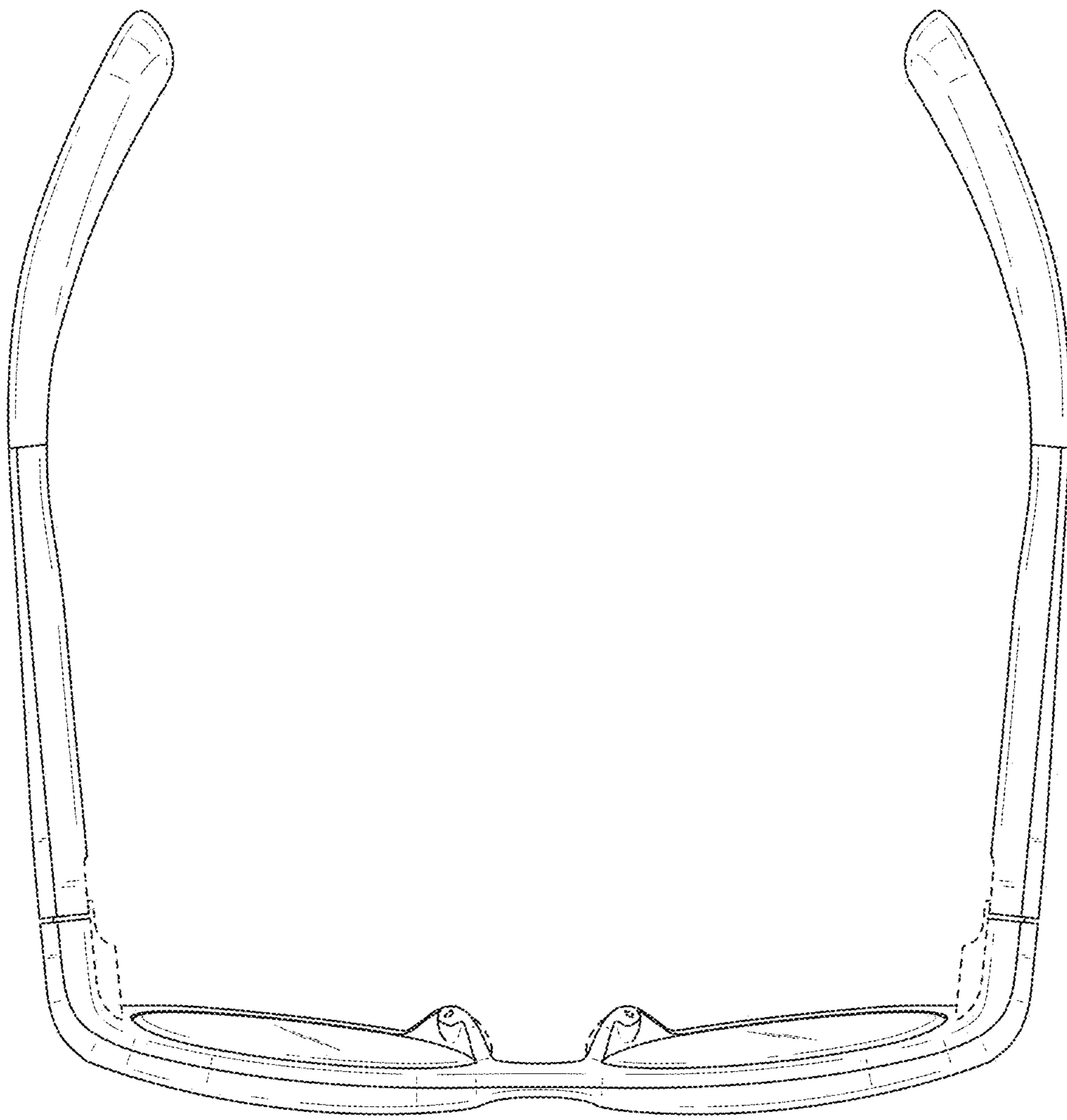




FIG. 7

