



US00D985561S

(12) **United States Design Patent**
Huang et al.

(10) **Patent No.:** **US D985,561 S**

(45) **Date of Patent:** **** May 9, 2023**

(54) **DATA ACCESSING DEVICE**

(71) Applicant: **Kingston Digital, Inc.**, Fountain Valley, CA (US)

(72) Inventors: **Yu-Kuo Huang**, Hsinchu (TW);
Yi-Ting Lin, Hsinchu (TW)

(73) Assignee: **KINGSTON DIGITAL, INC.**, Fountain Valley, CA (US)

(**) Term: **15 Years**

(21) Appl. No.: **29/806,957**

(22) Filed: **Sep. 8, 2021**

(51) **LOC (14) Cl.** **14-02**

(52) **U.S. Cl.**
USPC **D14/356**

(58) **Field of Classification Search**
USPC D13/153, 110; D14/155, 356, 433,
D14/435.1, 358, 384, 480.1–480.7;
D16/208
CPC H01R 25/00; H01R 24/62; H05K 5/0278;
G06K 19/07732
See application file for complete search history.

(56) **References Cited**

U.S. PATENT DOCUMENTS

D449,615 S	*	10/2001	Lloyd	D14/435.1
D488,795 S	*	4/2004	Christianson	D14/155
D491,143 S	*	6/2004	Jiang	D14/435.1
D531,118 S	*	10/2006	Krieger	D14/435.1
D543,202 S	*	5/2007	Siu	D14/480.5
D558,742 S	*	1/2008	Koller	D14/225
D611,463 S	*	3/2010	Kim	D14/242
D624,012 S	*	9/2010	de Medeiros	D13/103
D638,430 S	*	5/2011	Lee	D13/133
D648,730 S	*	11/2011	Huang	D14/480.5
D649,139 S	*	11/2011	Waay	D14/225

D687,443 S	*	8/2013	Chen	D14/480.5
D692,903 S	*	11/2013	Lin	D14/480.7
D711,891 S	*	8/2014	Emami	D14/480.5
D711,894 S	*	8/2014	Lin	D14/484.1
D724,602 S	*	3/2015	Lin	D14/480.5
D725,123 S	*	3/2015	Lin	D14/480.5
D735,201 S	*	7/2015	Lin	D14/435
D774,038 S	*	12/2016	Emami	D14/480.1
D804,491 S	*	12/2017	Lin	D14/480.3
D899,428 S	*	10/2020	Shen	D13/133
D925,548 S	*	7/2021	Cran	D14/480.5

* cited by examiner

Primary Examiner — Khawaja Anwar

Assistant Examiner — Megan Tiana Rakos

(74) *Attorney, Agent, or Firm* — Locke Lord LLP; Tim Tingkang Xia, Esq.

(57) **CLAIM**

The ornamental design for a data accessing device, as shown and described.

DESCRIPTION

FIG. 1 is a perspective view of a data accessing device showing the claimed design;

FIG. 2 is another perspective view thereof;

FIG. 3 is a front elevational view thereof;

FIG. 4 is a rear elevational view thereof;

FIG. 5 is a left side elevational view thereof;

FIG. 6 is a right side elevational view thereof;

FIG. 7 is a top plan view thereof;

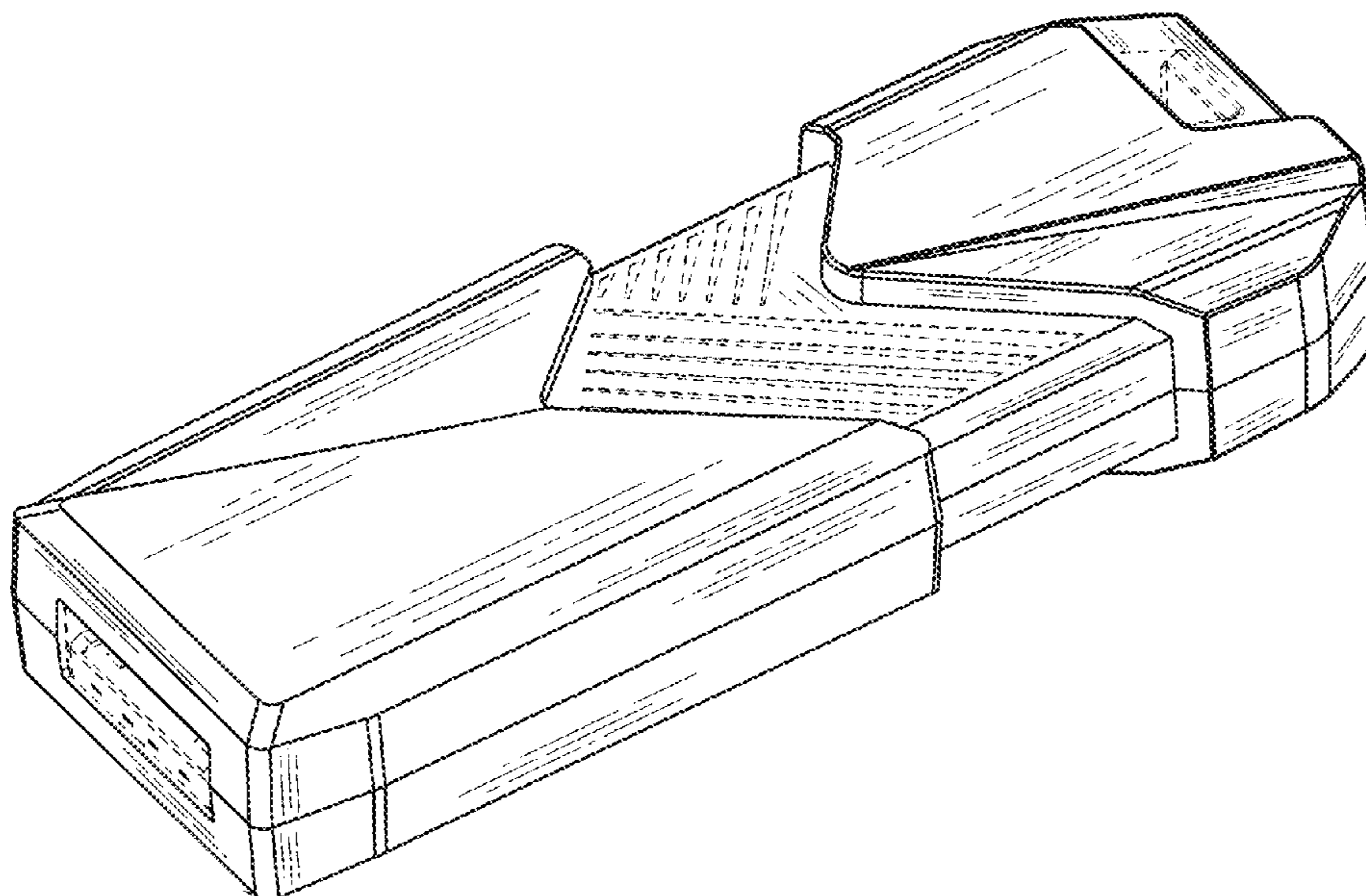
FIG. 8 is a bottom plan view thereof;

FIG. 9 is a perspective view thereof, showing the device in a usage state; and,

FIG. 10 is another perspective view thereof, showing the device in a usage state.

The broken lines show portions of the data accessing device that form no part of the claimed design.

1 Claim, 10 Drawing Sheets



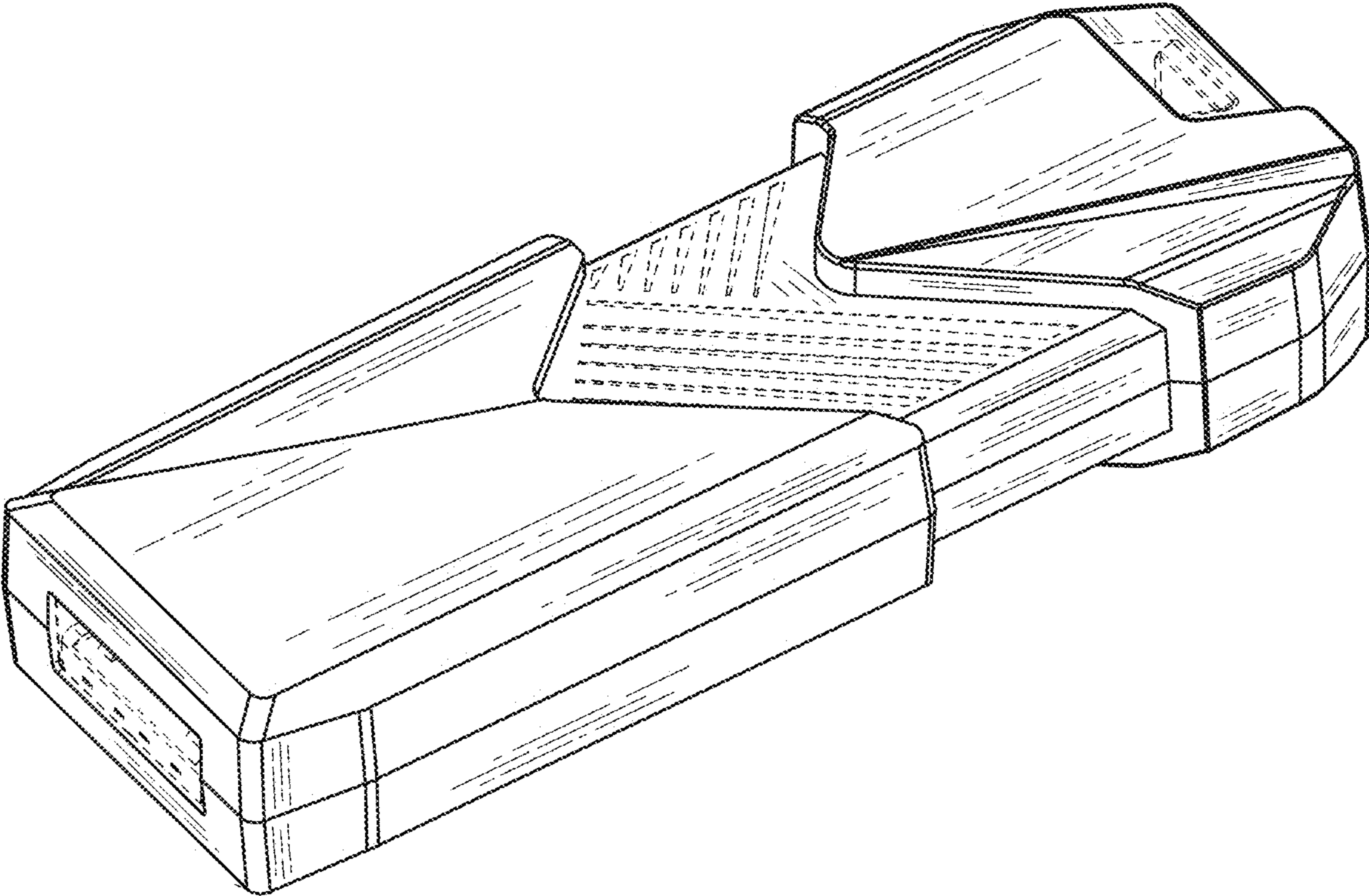


FIG. 1

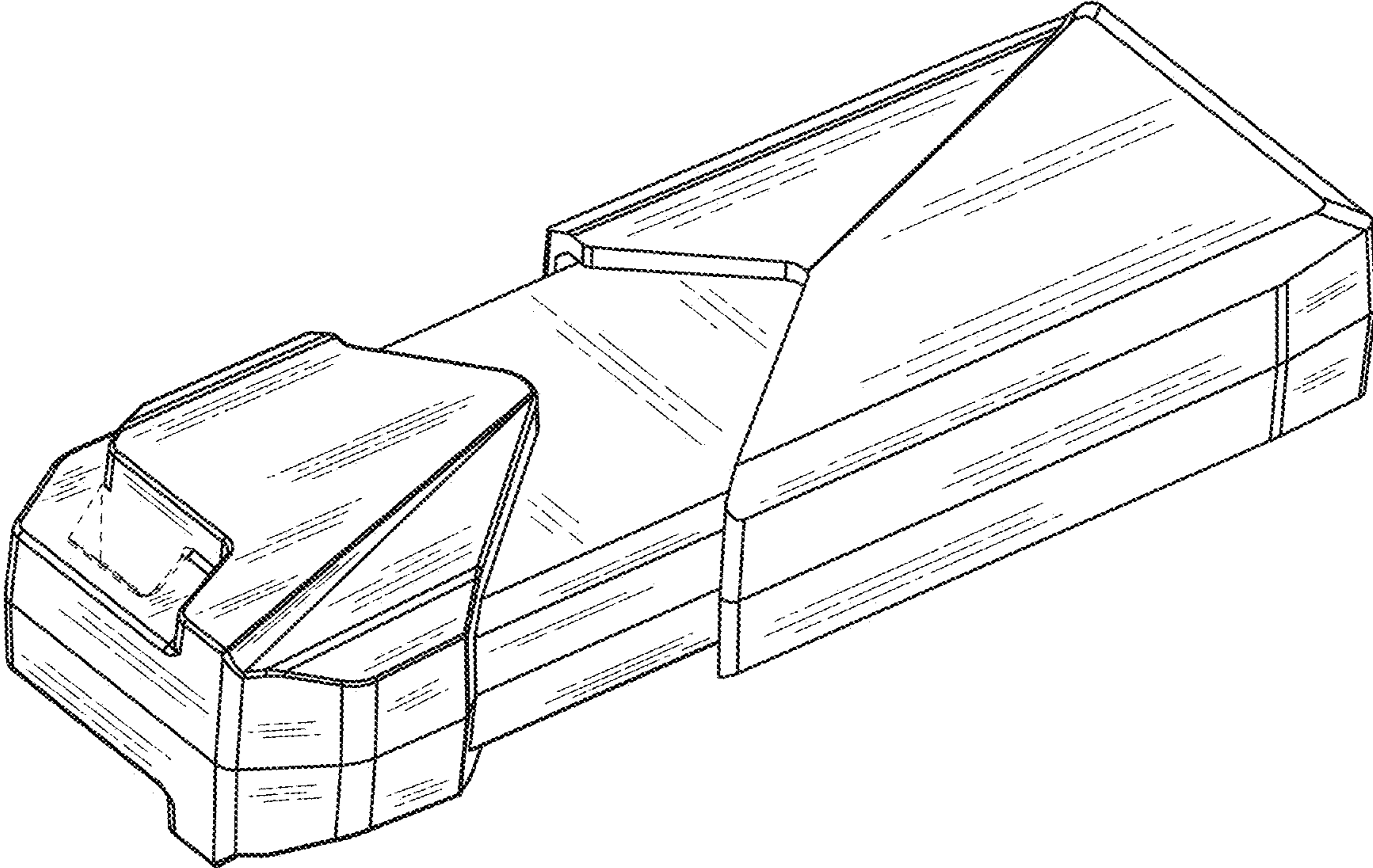


FIG. 2

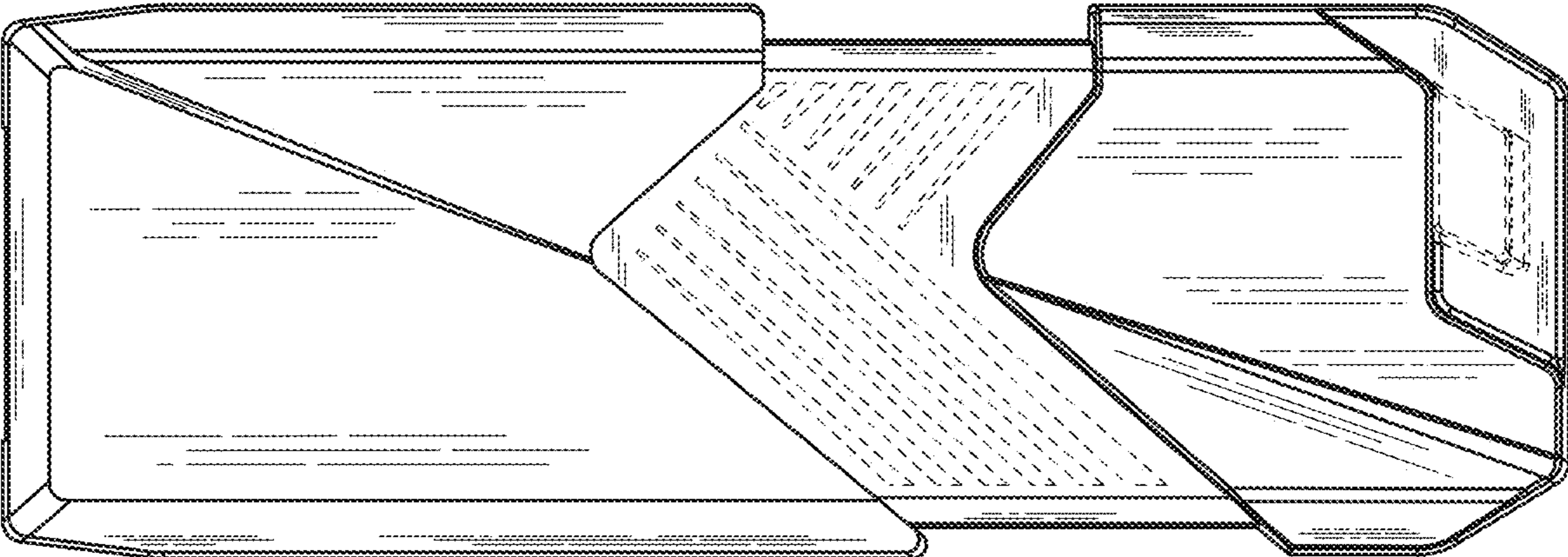


FIG. 3

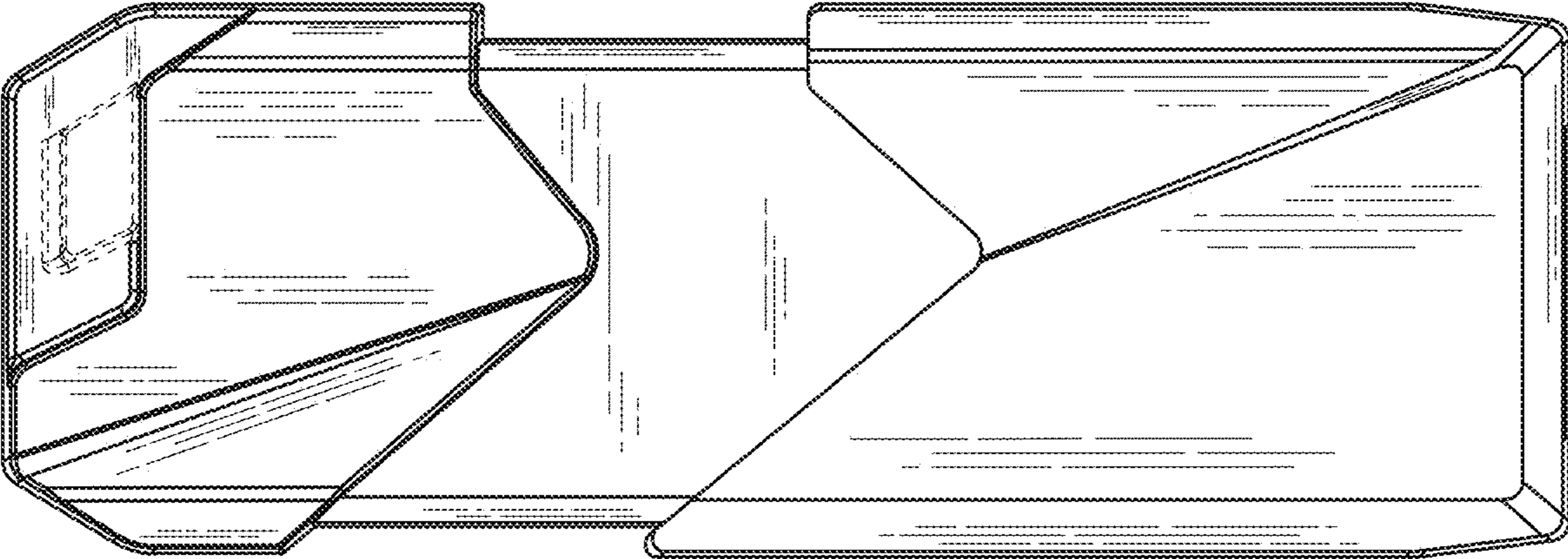


FIG. 4

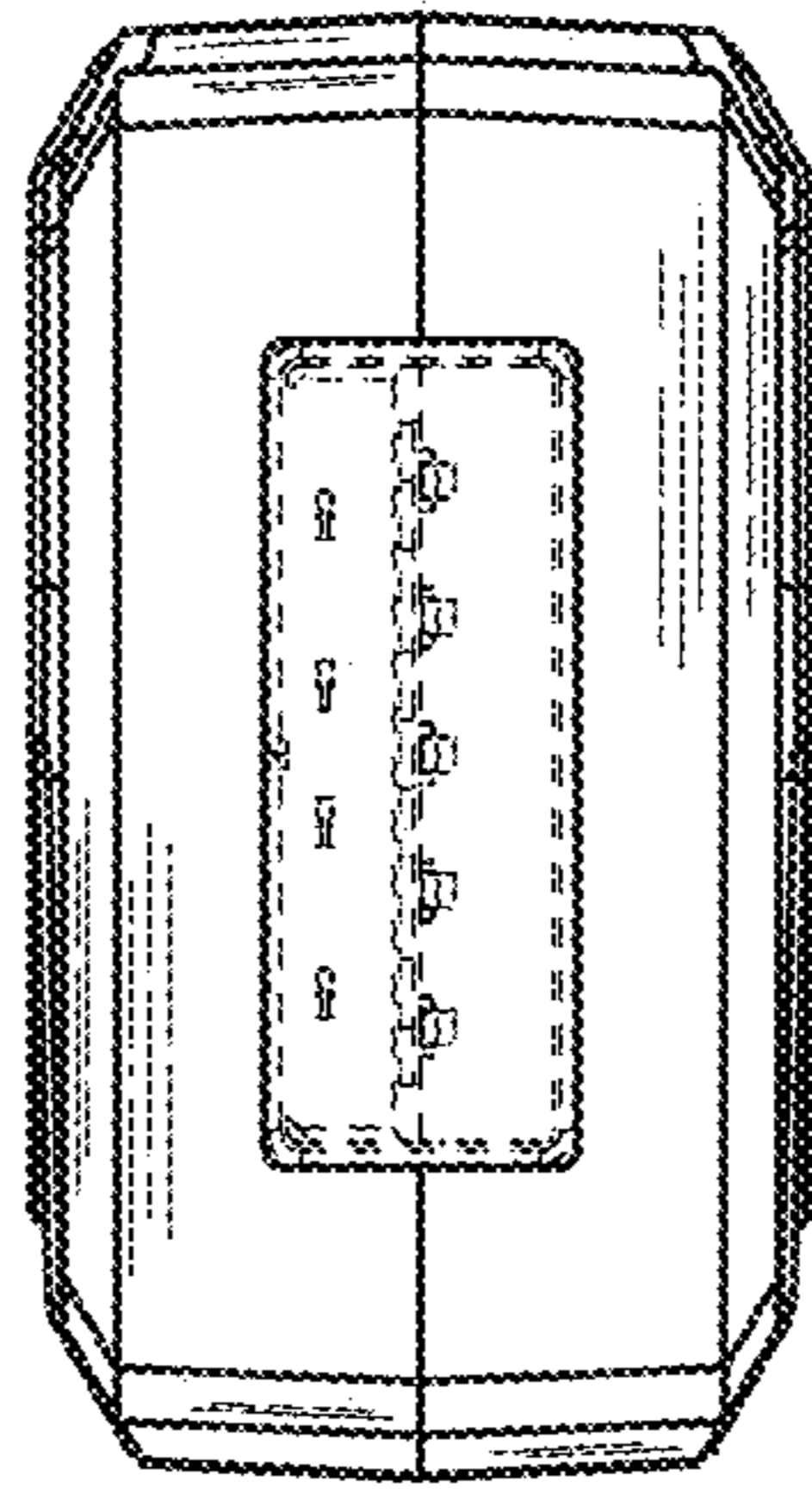


FIG. 5

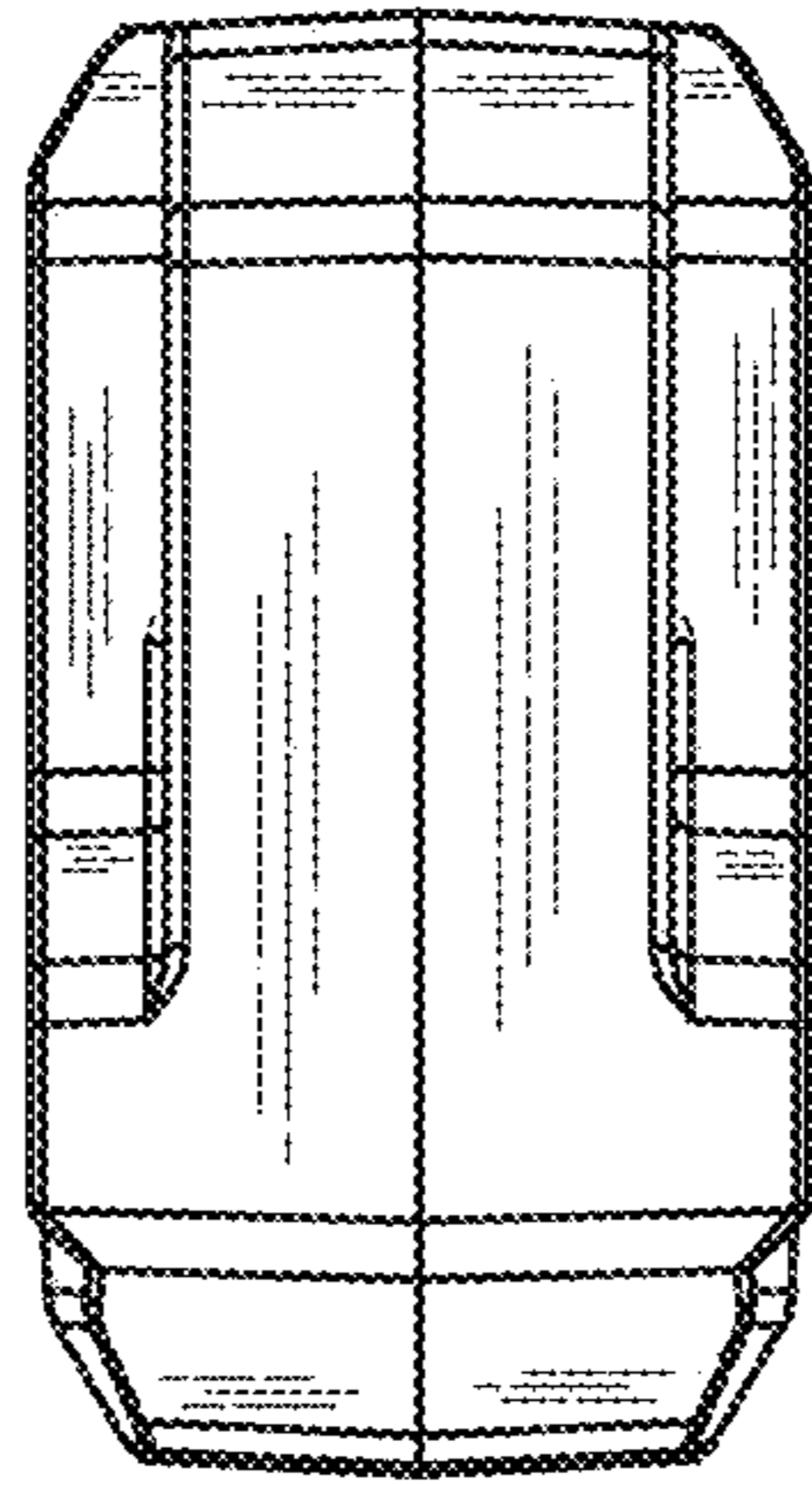


FIG. 6

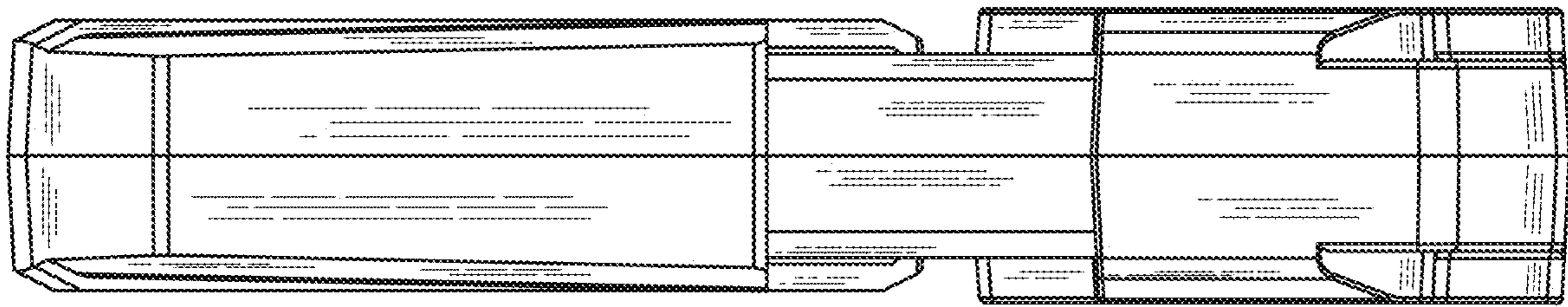


FIG. 7

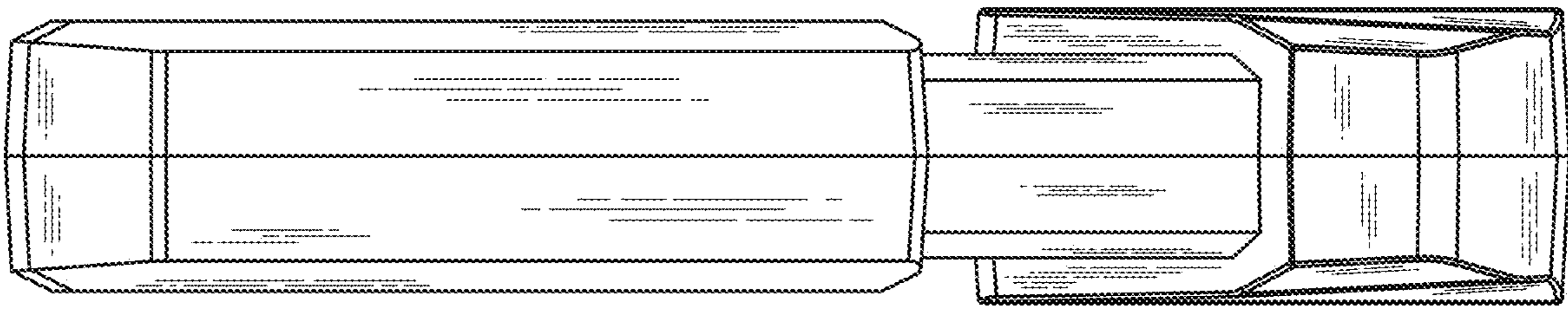


FIG. 8

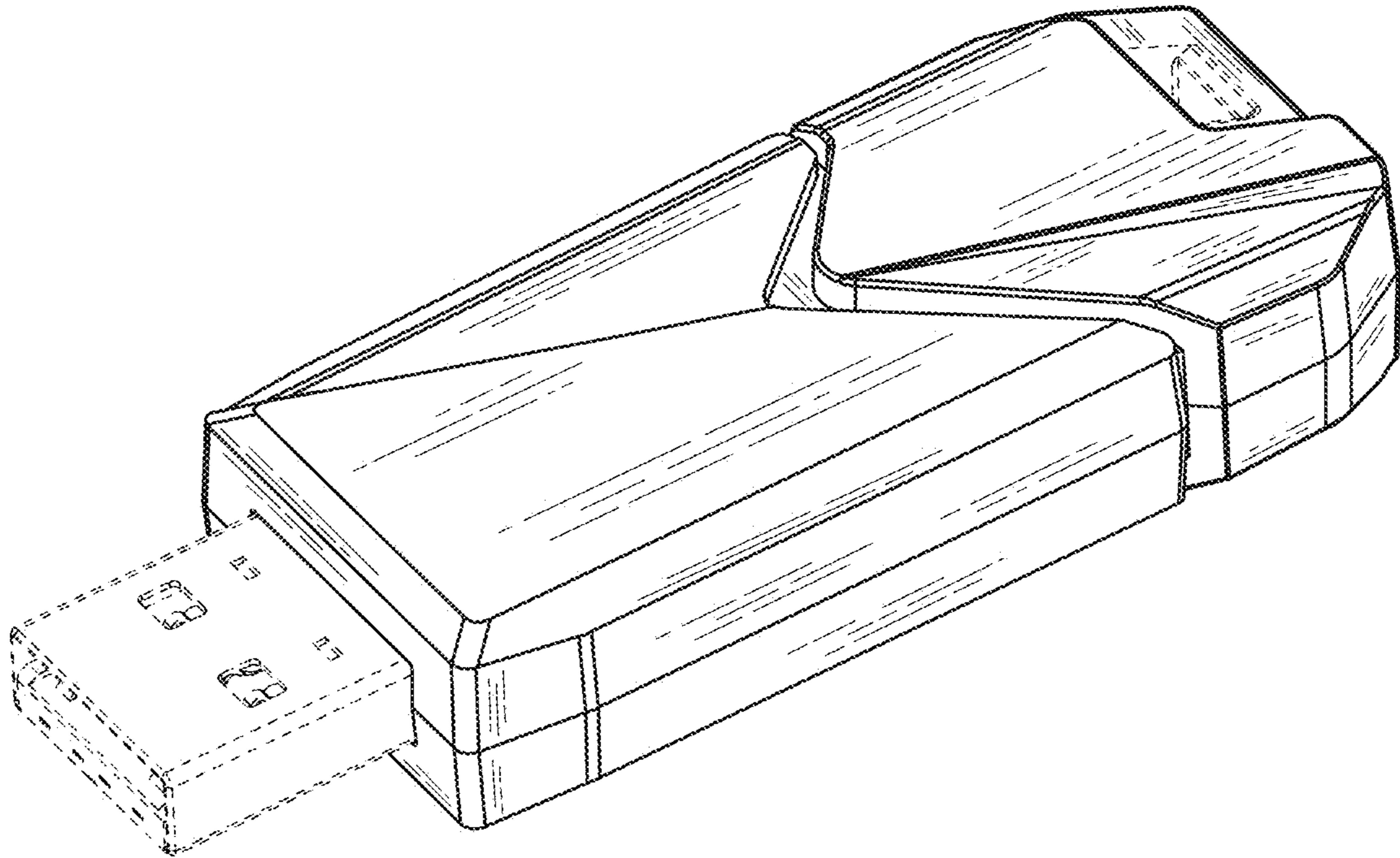


FIG. 9

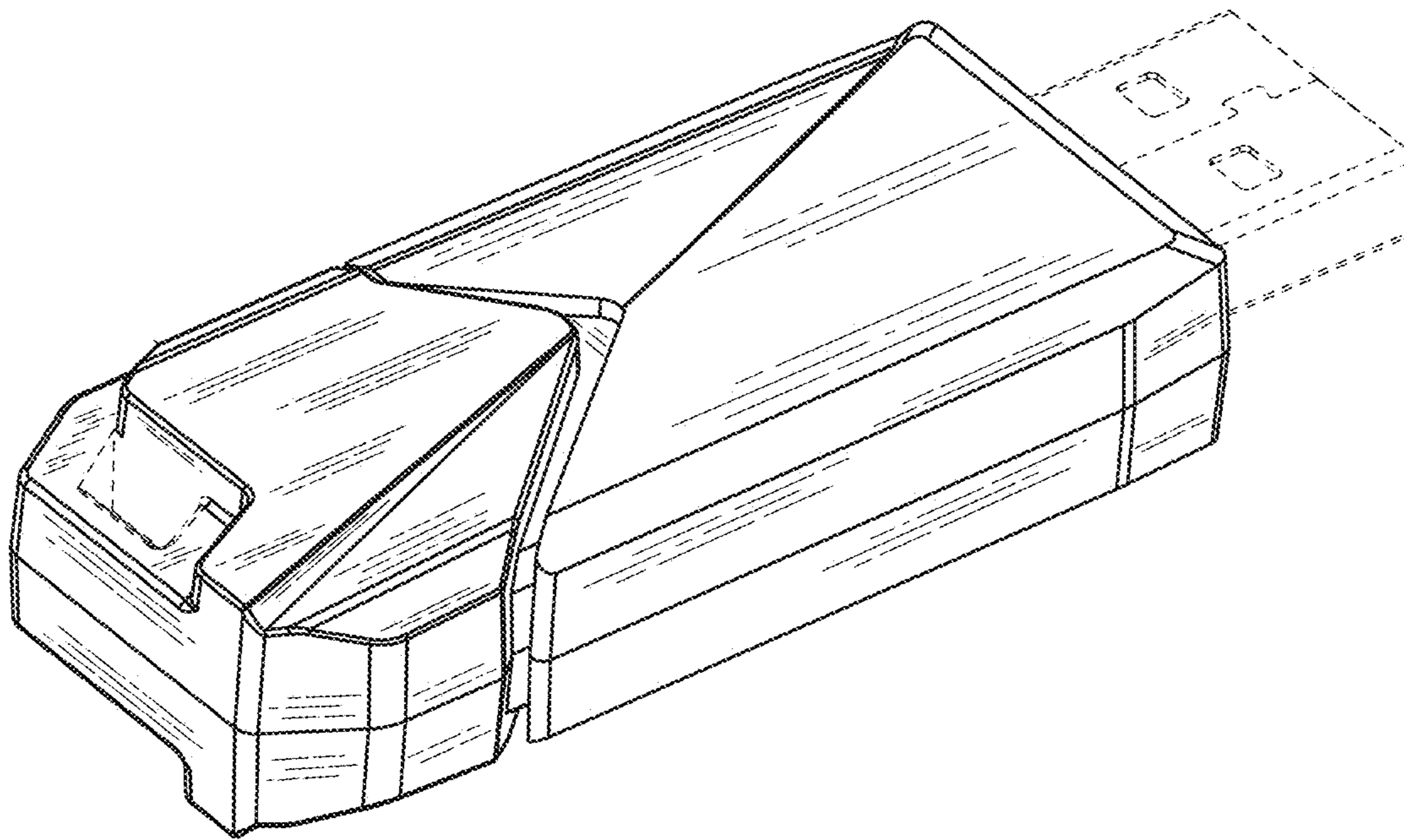


FIG. 10