



US00D985560S

(12) **United States Design Patent** (10) **Patent No.:** **US D985,560 S**
Jun (45) **Date of Patent:** **** May 9, 2023**

(54) **SOLID STATE DRIVE MEMORY DEVICE**

(56) **References Cited**

(71) Applicant: **SAMSUNG ELECTRONICS CO., LTD.**, Suwon-si (KR)

U.S. PATENT DOCUMENTS

(72) Inventor: **Gyejin Jun**, Suwon-si (KR)

| | | | | |
|--------------|---------|------------------|-------|-----------|
| D520,502 S * | 5/2006 | Xu | | D14/356 |
| D520,994 S * | 5/2006 | Weiher | | D14/356 |
| D721,671 S * | 1/2015 | Nam | | D14/138 G |
| D778,280 S | 2/2017 | Vanderpol et al. | | |
| D814,464 S * | 4/2018 | Huang | | D14/365 |
| D819,022 S * | 5/2018 | Shim | | D14/363 |
| D829,719 S * | 10/2018 | Shim | | D14/363 |
| D837,790 S * | 1/2019 | Wu | | D14/435 |
| D868,076 S * | 11/2019 | Huang | | D14/480.1 |
| D894,828 S * | 9/2020 | Chen | | D14/434 |
| D904,401 S * | 12/2020 | Wu | | D14/363 |
| D922,379 S * | 6/2021 | Huang | | D14/363 |

(73) Assignee: **SAMSUNG ELECTRONICS CO., LTD.**, Suwon-si (KR)

(**) Term: **15 Years**

(21) Appl. No.: **29/849,217**

(Continued)

(22) Filed: **Aug. 9, 2022**

(30) **Foreign Application Priority Data**

FOREIGN PATENT DOCUMENTS

Jun. 22, 2022 (KR) 30-2022-0024955

| | | | | |
|----|-------------|---------|-------|-------------|
| CN | 1694037 A * | 11/2005 | | G06F 1/1632 |
| CN | 305222315 S | 6/2019 | | |

(51) **LOC (14) Cl.** **14-02**

(Continued)

(52) **U.S. Cl.**
USPC **D14/348**

Primary Examiner — Marie D. Fast Horse

Assistant Examiner — Josiah D. Parsons

(74) *Attorney, Agent, or Firm* — Sughrue Mion, PLLC

(58) **Field of Classification Search**

USPC D13/103, 107, 177, 179, 184; D14/301, D14/356, 432, 434, 435, 436, 437, 438, D14/363, 365, 474, 480.1, 484.1
CPC G06F 1/1658; G06F 1/1684; G06F 1/185; G06F 1/187; G06F 1/186; G06K 19/04; G06K 19/041; G06K 19/07728; G06K 19/07732; G06K 19/07747; G06K 19/077; G06K 19/0772; G11B 2220/60; H01L 23/34; H01L 23/40; H05K 5/03; H05K 5/04; H05K 5/06; H05K 5/061; H05K 5/0214; H05K 5/0086; H05K 5/0256; H05K 5/026; H05K 5/0269; H05K 5/0278; H05K 5/0243; H05K 5/0004; H05K 5/0008; H05K 5/0039; H05K 5/0043; H05K 5/0047; G11C 5/00
See application file for complete search history.

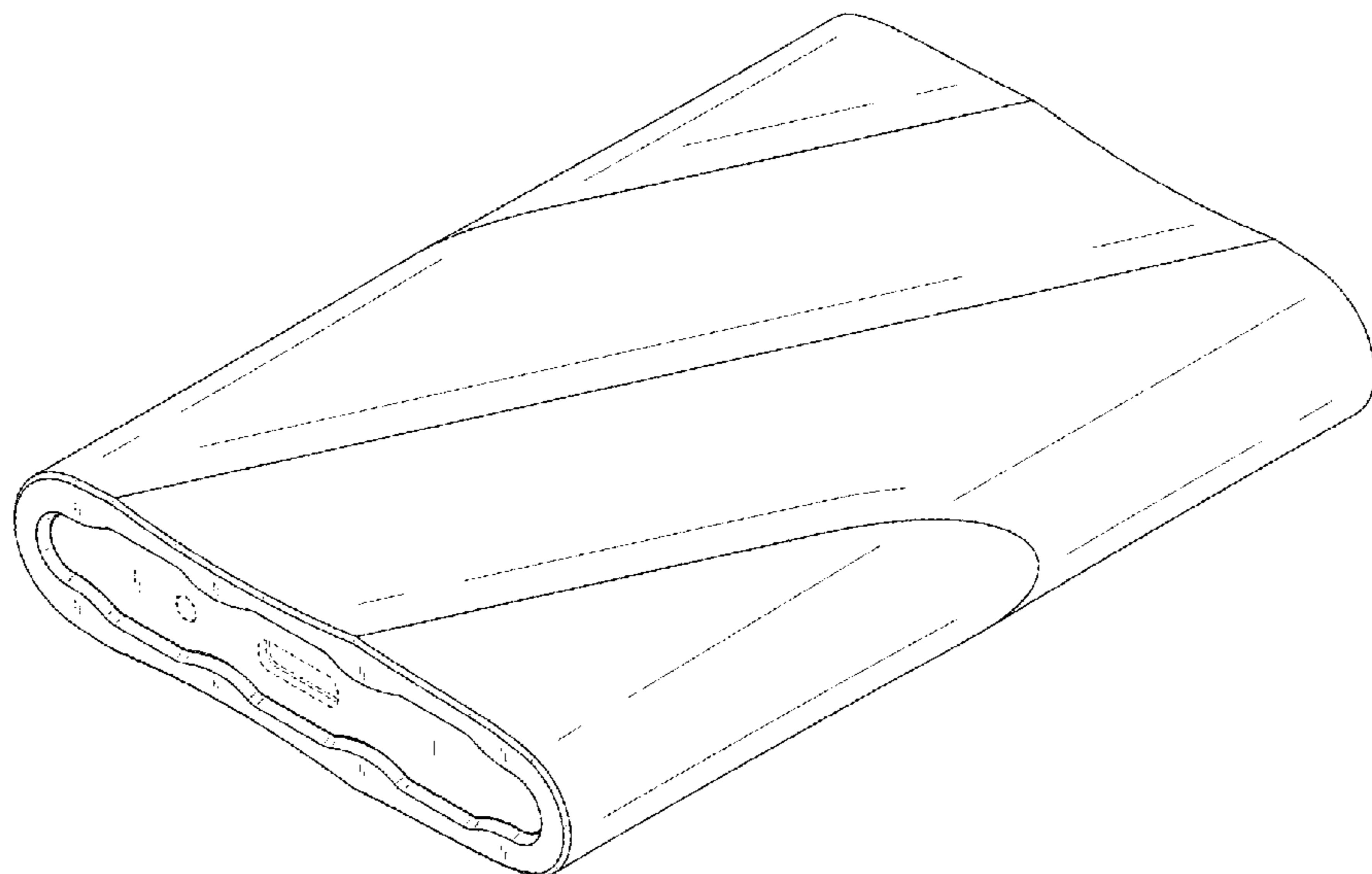
(57) **CLAIM**

The ornamental design for a solid state drive memory device, as shown and described.

DESCRIPTION

FIG. 1 is a front perspective view of a solid state drive memory device showing my new design;
FIG. 2 is a front view thereof;
FIG. 3 is a rear view thereof;
FIG. 4 is a left-side view thereof;
FIG. 5 is a right-side view thereof;
FIG. 6 is a top plan view thereof;
FIG. 7 is a bottom plan view thereof; and,
FIG. 8 is another perspective view thereof.
The features of the solid state drive memory device shown in broken lines form no part of the claimed design.

1 Claim, 8 Drawing Sheets



(56)

References Cited

U.S. PATENT DOCUMENTS

| | | | | | | |
|--------------|----|---|---------|---------|-------|--------------------------|
| D922,380 | S | * | 6/2021 | Jun | | D14/348 |
| D937,197 | S | * | 11/2021 | Hao | | D13/103 |
| D939,495 | S | * | 12/2021 | Ricker | | D14/301 |
| D940,654 | S | * | 1/2022 | Lin | | D13/108 |
| D940,719 | S | * | 1/2022 | Poulton | | D14/435 |
| D954,707 | S | * | 6/2022 | Shim | | D14/363 |
| D956,689 | S | * | 7/2022 | Reilly | | D13/103 |
| D958,785 | S | * | 7/2022 | Jun | | D14/363 |
| D963,640 | S | * | 9/2022 | Jun | | D14/348 |
| 2005/0243508 | A1 | * | 11/2005 | Szolyga | | G06F 1/184 361/679.41 |
| 2011/0233094 | A1 | * | 9/2011 | Liao | | B29C 45/1671 264/250 |
| 2018/0184532 | A1 | * | 6/2018 | Kim | | G06F 1/1652 |
| 2019/0278343 | A1 | * | 9/2019 | Cinar | | G06F 1/3275 |
| 2021/0334414 | A1 | * | 10/2021 | Kwak | | G06F 3/0604 |

FOREIGN PATENT DOCUMENTS

| | | | |
|----|------------|---|--------|
| CN | 305312292 | S | 8/2019 |
| CN | 305808537 | S | 5/2020 |
| KR | 30-1157190 | S | 3/2022 |

* cited by examiner

FIG. 1

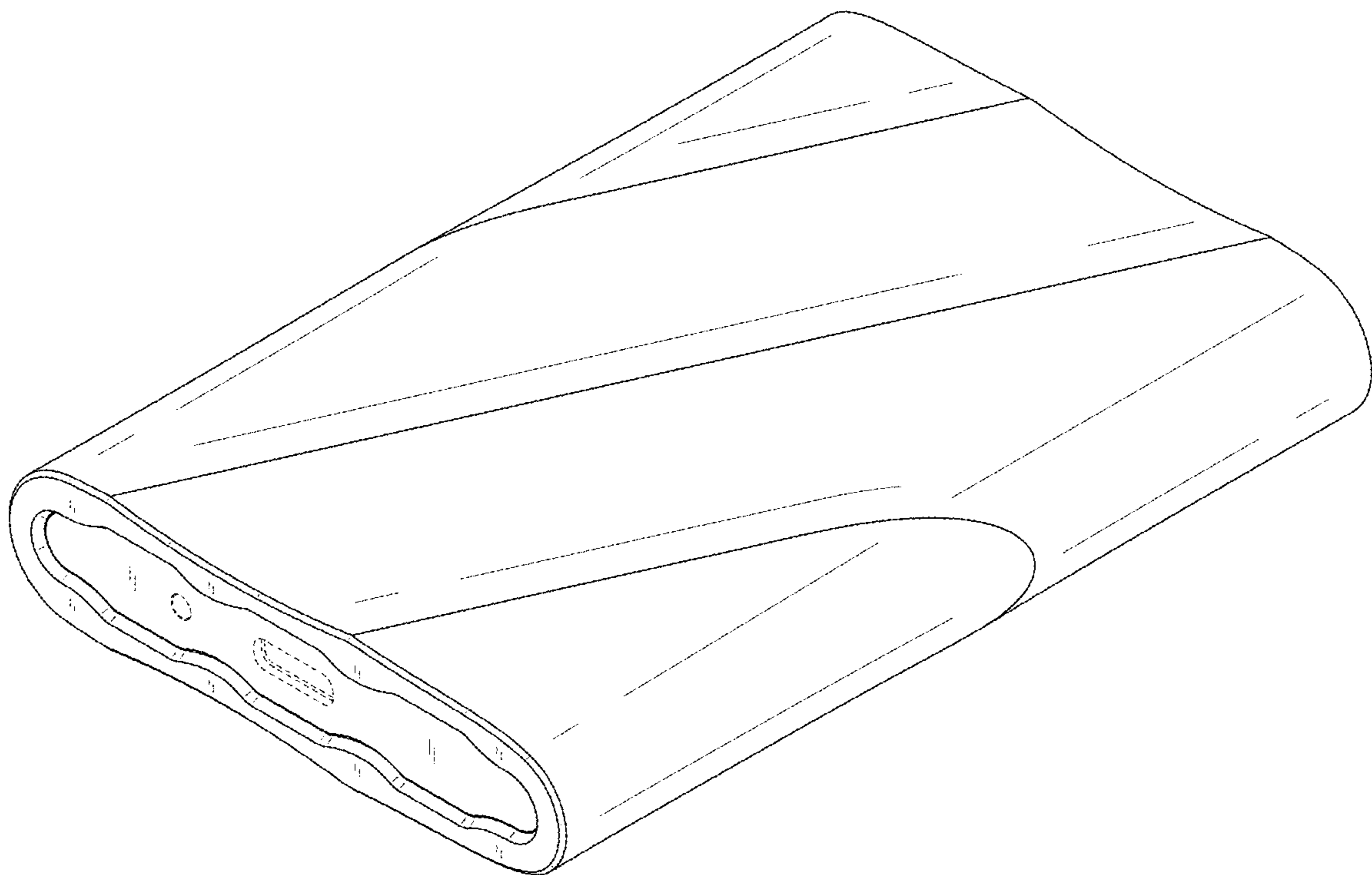


FIG. 2

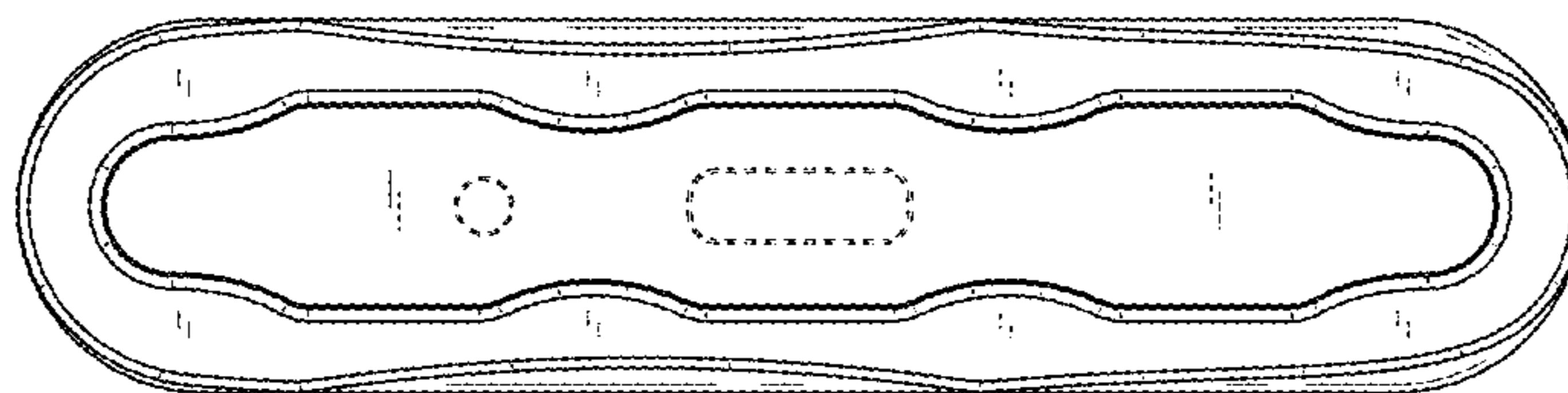


FIG. 3

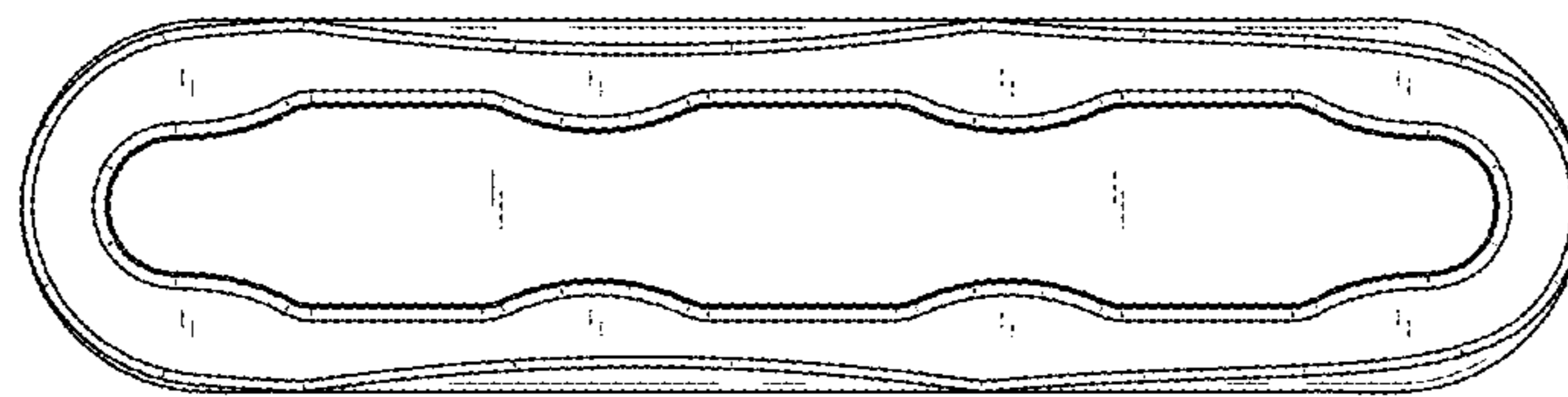


FIG. 4

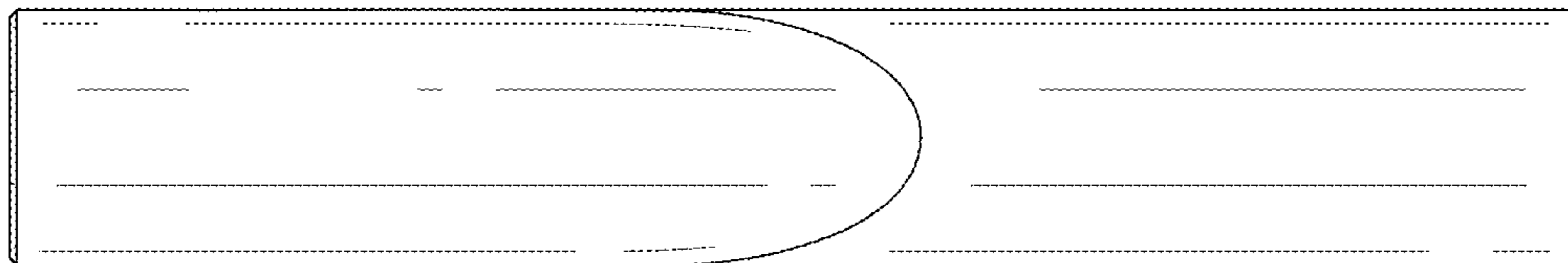


FIG. 5

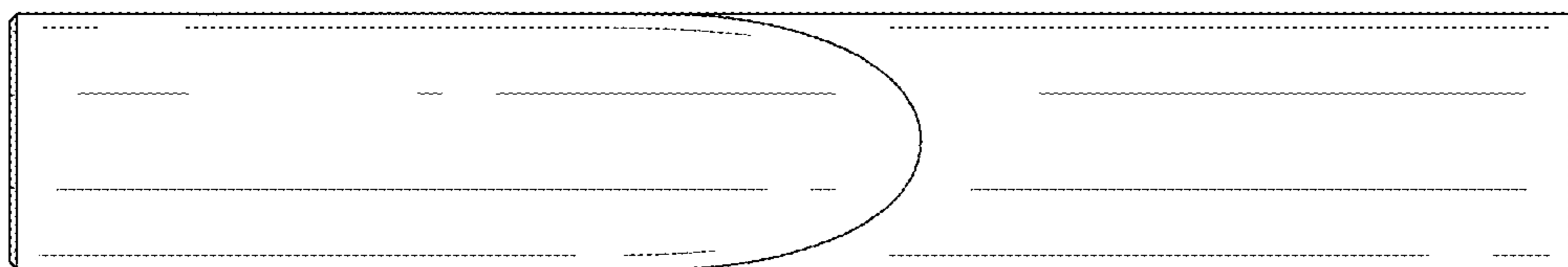


FIG. 6

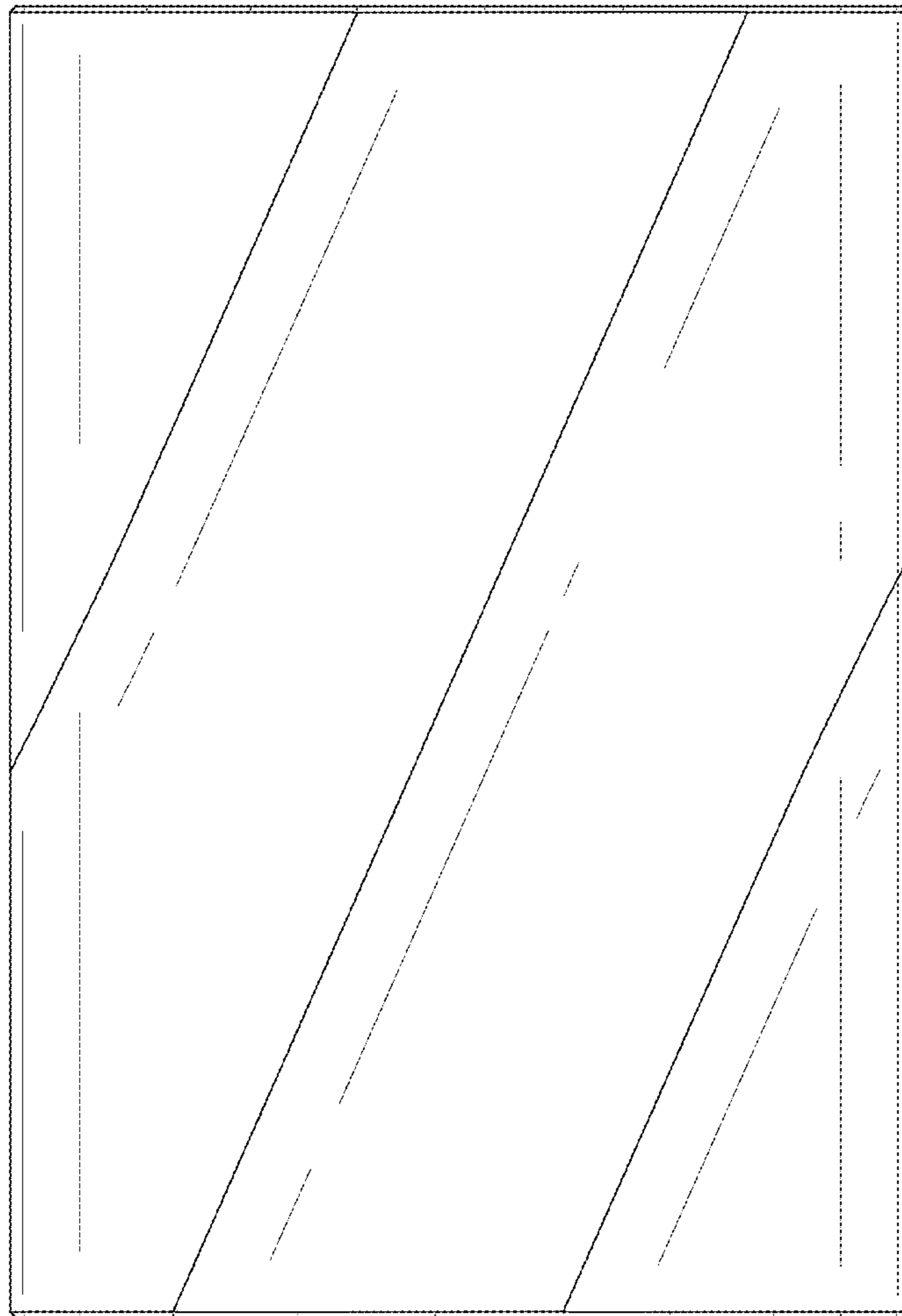


FIG. 7

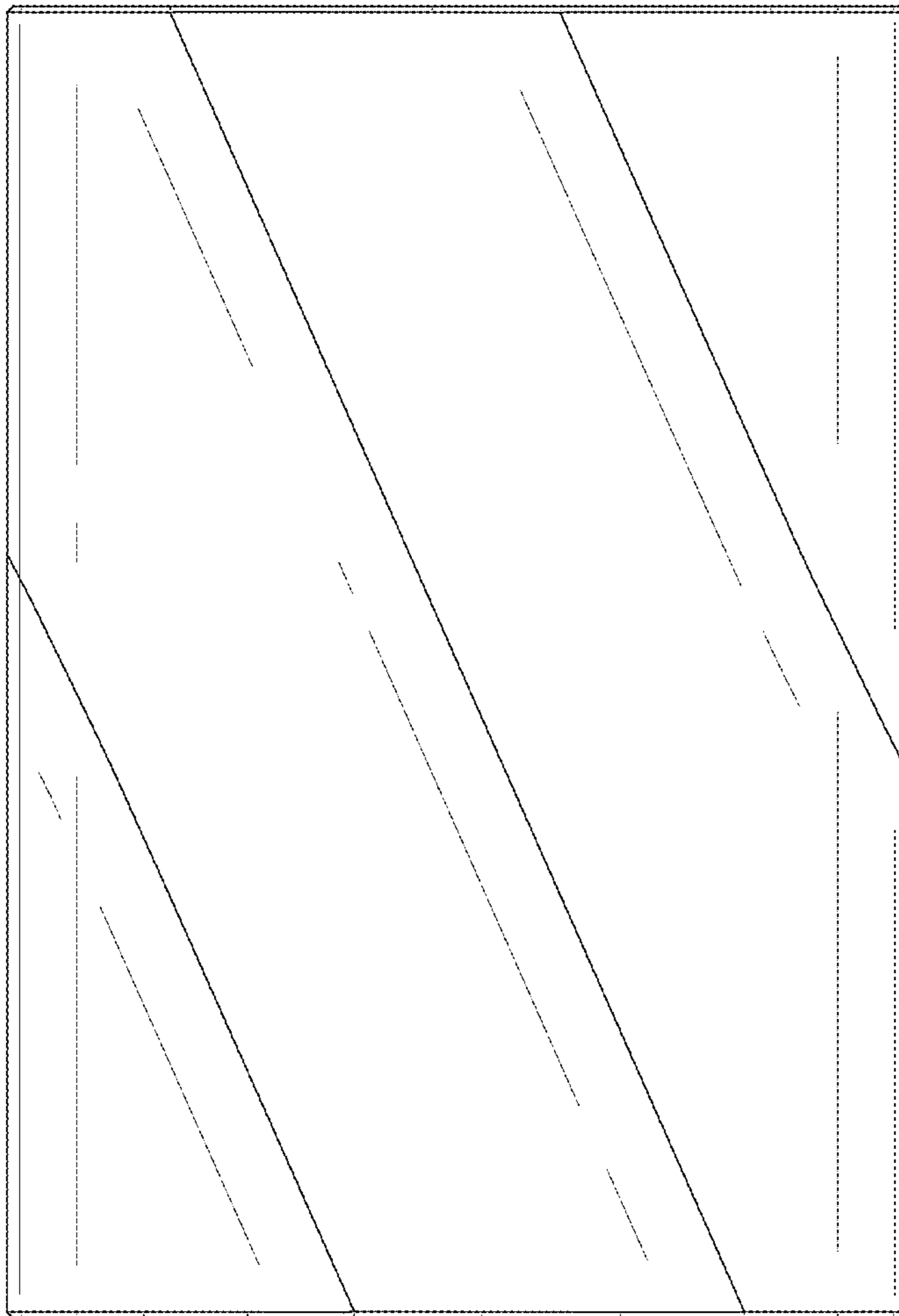


FIG. 8

