



US00D985559S

(12) **United States Design Patent** (10) **Patent No.:** **US D985,559 S**
Jun (45) **Date of Patent:** **** May 9, 2023**

(54) **SOLID STATE DRIVE MEMORY DEVICE**

(71) Applicant: **SAMSUNG ELECTRONICS CO., LTD.**, Suwon-si (KR)

(72) Inventor: **Gyejin Jun**, Suwon-si (KR)

(73) Assignee: **SAMSUNG ELECTRONICS CO., LTD.**, Suwon-si (KR)

(**) Term: **15 Years**

(21) Appl. No.: **29/849,210**

(22) Filed: **Aug. 9, 2022**

(30) **Foreign Application Priority Data**

May 24, 2022 (KR) 30-2022-0020588

(51) **LOC (14) Cl.** **14-02**

(52) **U.S. Cl.**
USPC **D14/348**

(58) **Field of Classification Search**

USPC D13/103, 107, 177, 179, 184; D14/301, D14/356, 432, 434, 435, 436, 437, 438, D14/363, 365, 474, 480.1, 484.1

CPC G06F 1/1658; G06F 1/1684; G06F 1/185; G06F 1/187; G06F 1/186; G06K 19/04; G06K 19/041; G06K 19/07728; G06K 19/07732; G06K 19/07747; G06K 19/077; G06K 19/0772; G11B 2220/60; H01L 23/34; H01L 23/40; H05K 5/03; H05K 5/04; H05K 5/06; H05K 5/061; H05K 5/0214; H05K 5/0086; H05K 5/0256; H05K 5/026; H05K 5/0269; H05K 5/0278; H05K 5/0243; H05K 5/0004; H05K 5/0008; H05K 5/0039; H05K 5/0043; H05K 5/0047; G11C 5/00

See application file for complete search history.

(56) **References Cited**

U.S. PATENT DOCUMENTS

D520,502 S * 5/2006 Xu D14/356
D520,994 S * 5/2006 Weiher D14/356

D586,739 S * 2/2009 Zaremba D13/103
D626,126 S * 10/2010 Park D14/365
D645,814 S * 9/2011 Otani D13/103
D798,266 S * 9/2017 Goltche D14/188
D814,464 S * 4/2018 Huang D14/365

(Continued)

FOREIGN PATENT DOCUMENTS

CN 1694037 A * 11/2005
CN 305312292 S 8/2019

(Continued)

Primary Examiner — Marie D. Fast Horse

Assistant Examiner — Josiah D. Parsons

(74) *Attorney, Agent, or Firm* — Sughrue Mion, PLLC

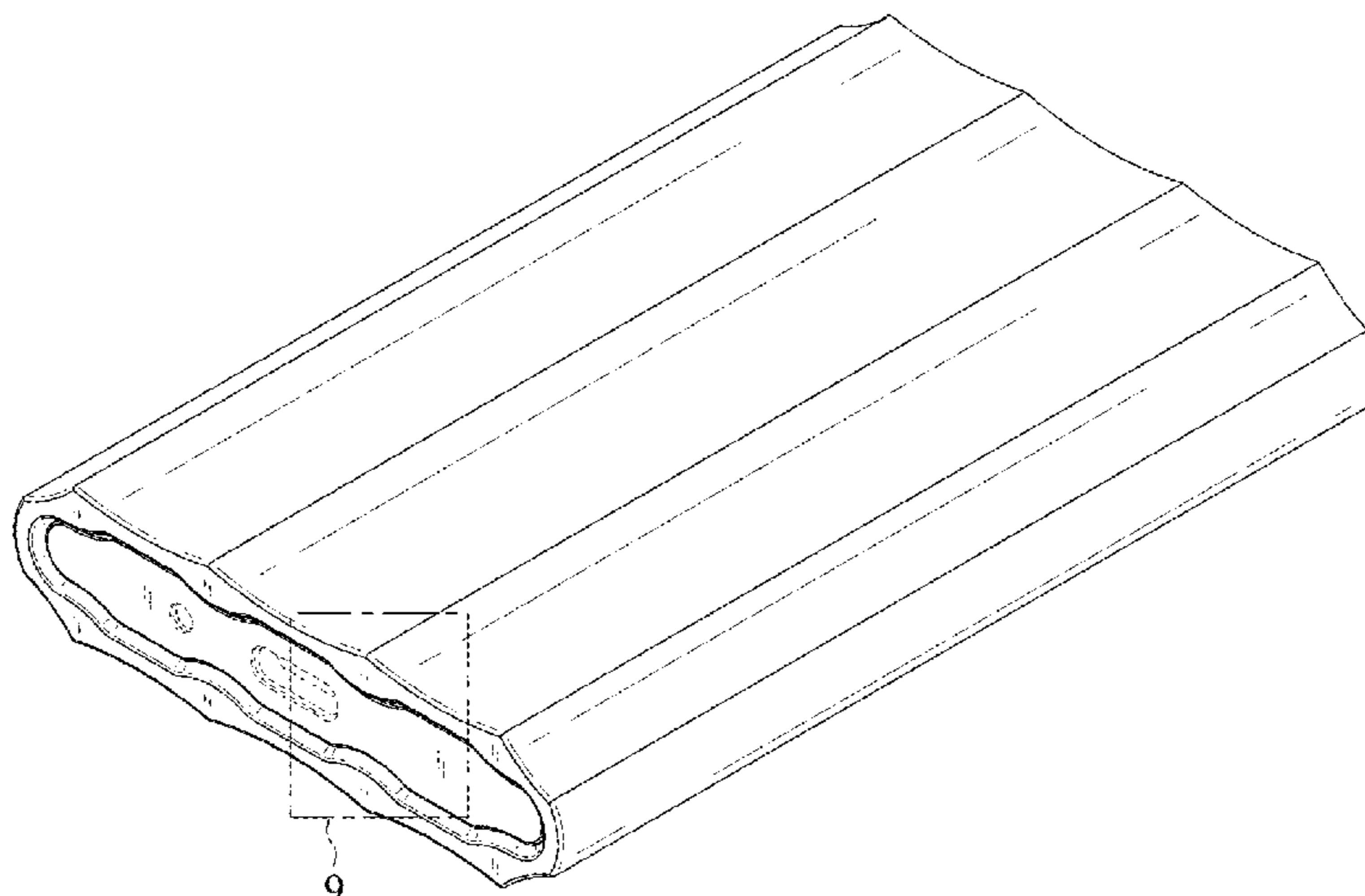
(57) **CLAIM**

The ornamental design for a solid state drive memory device, as shown and described.

DESCRIPTION

FIG. 1 is a front perspective view of a solid state drive memory device showing my new design; FIG. 2 is a front view thereof; FIG. 3 is a rear view thereof; FIG. 4 is a left-side view thereof; FIG. 5 is a right-side view thereof; FIG. 6 is a top plan view thereof; FIG. 7 is a bottom plan view thereof; FIG. 8 is a rear-bottom perspective view thereof; and, FIG. 9 is an enlarged view of the encircled 9 in FIG. 1. The evenly dashed broken lines in the figures depict features of the solid state drive memory device that form no part of the claimed design. The dot-dash broken lines encircling portions of the claimed design that are illustrated in enlargements form no part of the claimed design.

1 Claim, 9 Drawing Sheets



(56)

References Cited

U.S. PATENT DOCUMENTS

D819,022	S	*	5/2018	Shim	D14/363
D829,719	S	*	10/2018	Shim	D14/363
D837,790	S	*	1/2019	Wu	D14/435
D894,828	S	*	9/2020	Chen	D14/434
D904,401	S	*	12/2020	Wu	D14/363
D905,053	S	*	12/2020	Liu	D14/363
D922,379	S	*	6/2021	Huang	D14/363
D922,380	S	*	6/2021	Jun	D14/348
D937,197	S	*	11/2021	Hao	D13/103
D939,495	S		12/2021	Ricker et al.		
D940,654	S	*	1/2022	Lin	D13/108
D940,719	S	*	1/2022	Poulton	D14/435
D954,707	S	*	6/2022	Shim	D14/363
D956,689	S	*	7/2022	Reilly	D13/103
D958,785	S	*	7/2022	Jun	D14/363
D963,640	S	*	9/2022	Jun	D14/348
2005/0243508	A1	*	11/2005	Szolyga	G06F 1/184 361/679.41
2018/0184532	A1	*	6/2018	Kim	G06F 1/1652
2019/0278343	A1	*	9/2019	Cinar	G06F 1/3275
2021/0334414	A1	*	10/2021	Kwak	G06F 3/0604

FOREIGN PATENT DOCUMENTS

CN	305560435	S	1/2020
CN	307266703	S	4/2022
KR	30-1157190	S	3/2022

* cited by examiner

FIG. 1

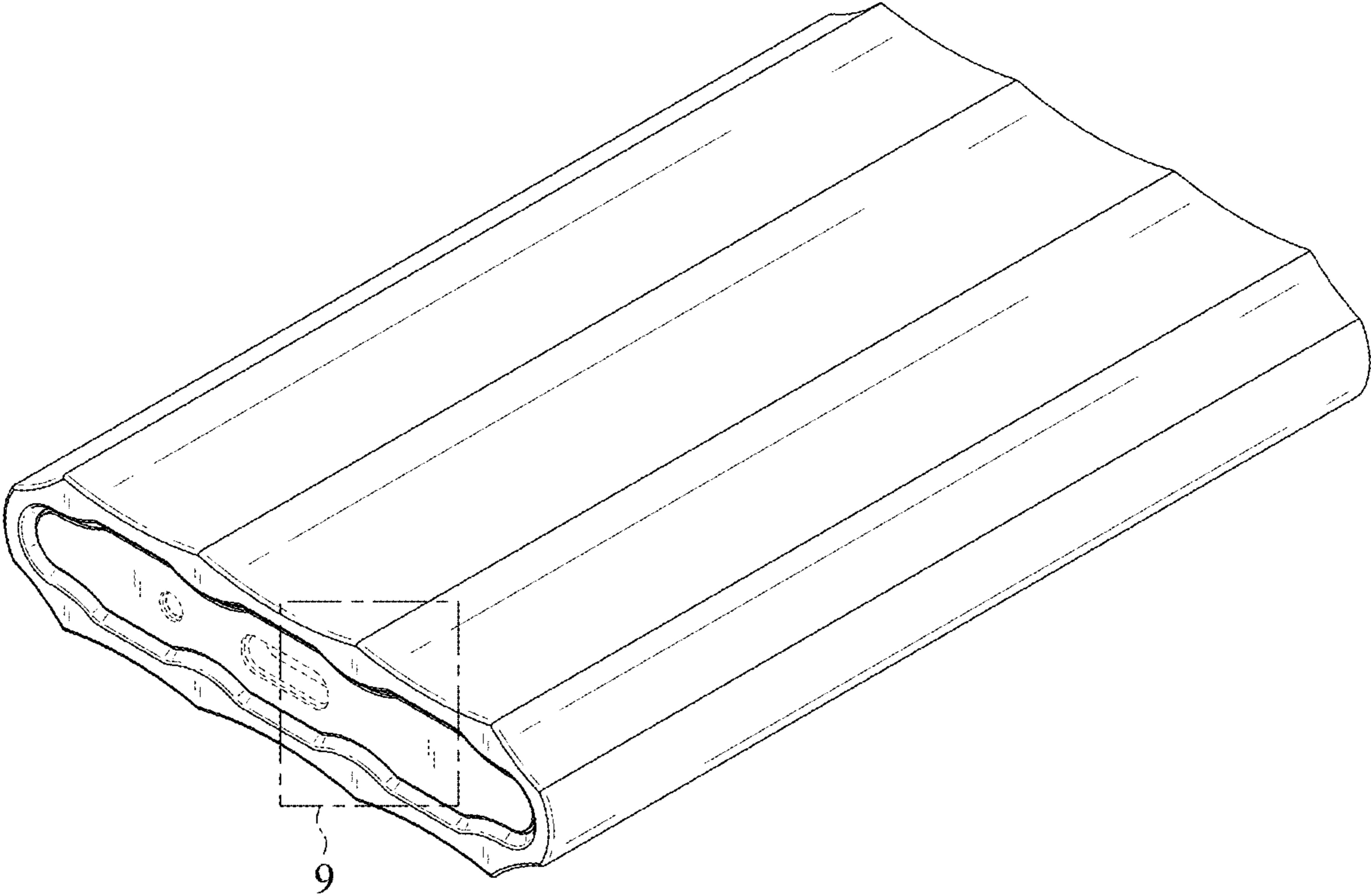


FIG. 2

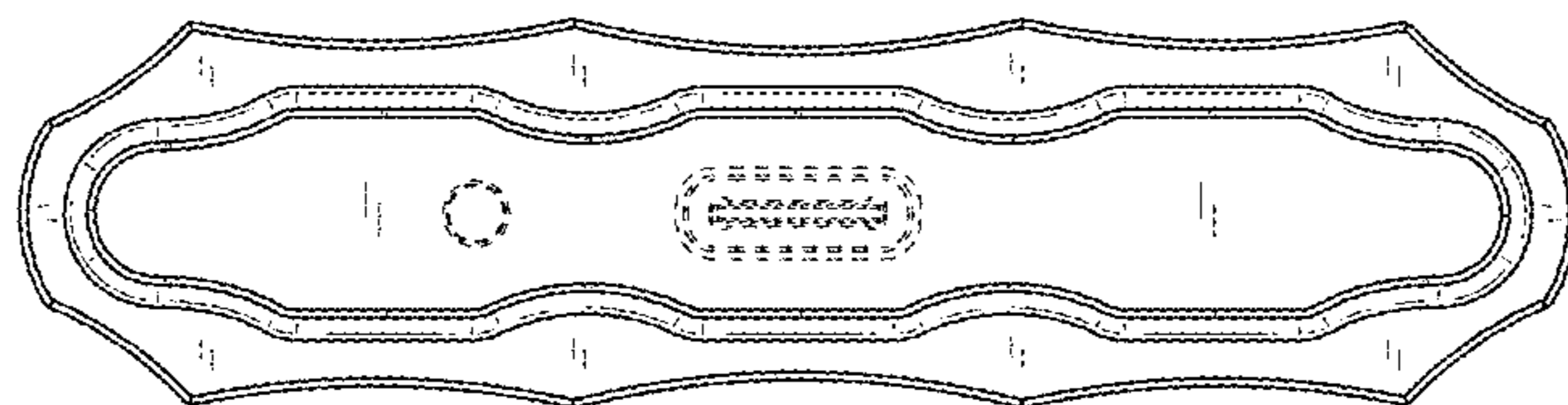


FIG. 3

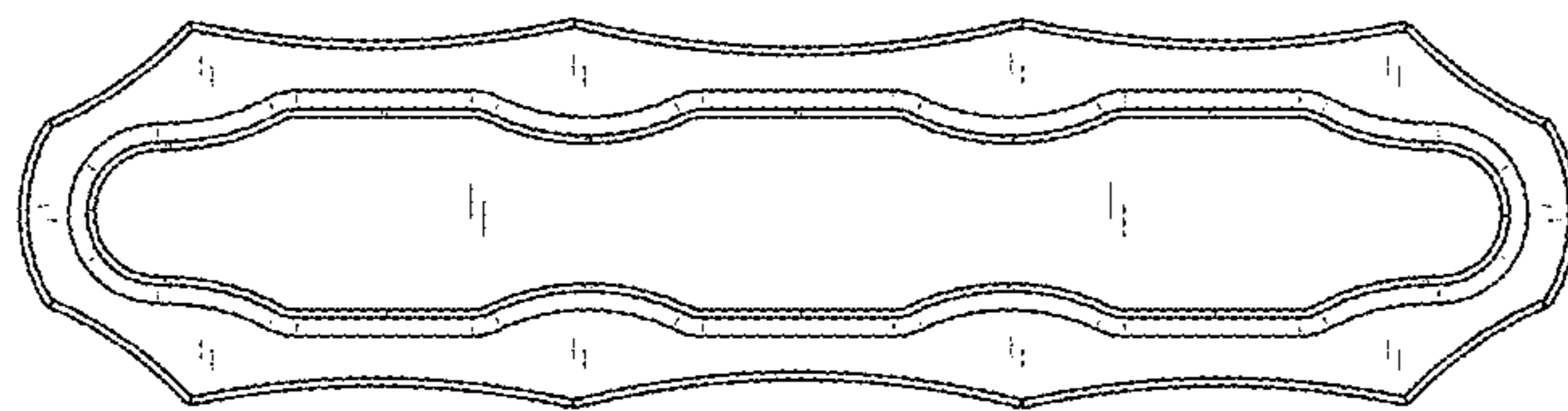


FIG. 4

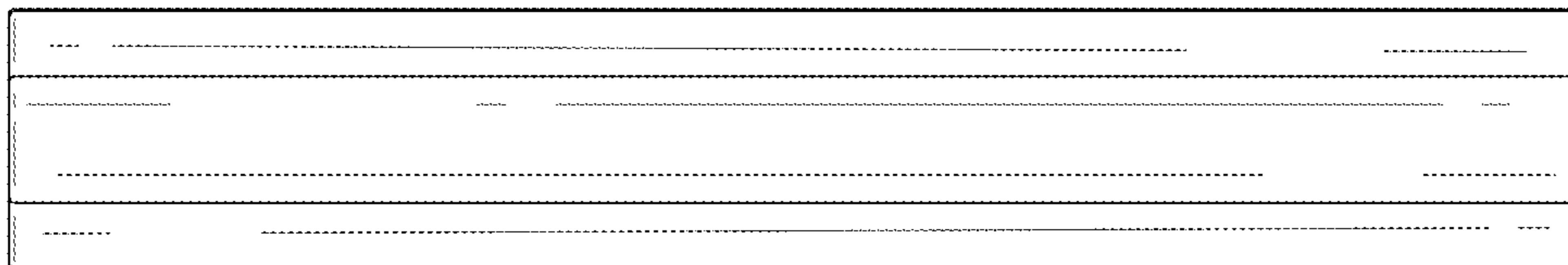


FIG. 5

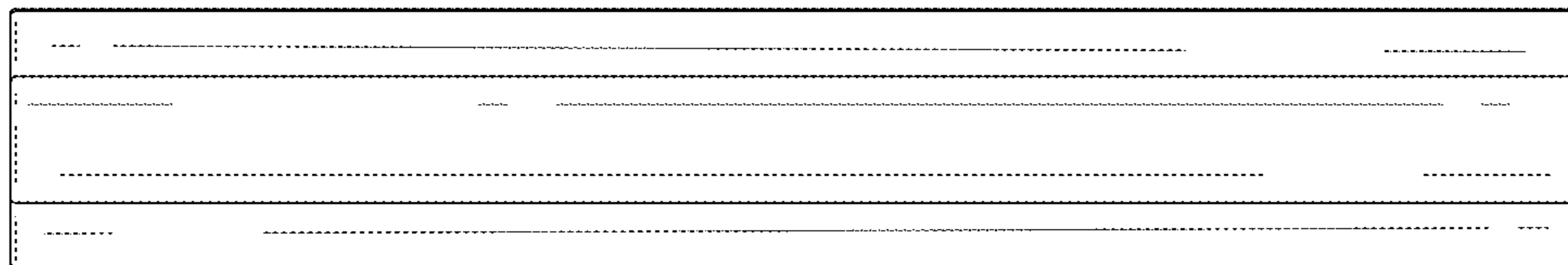


FIG. 6

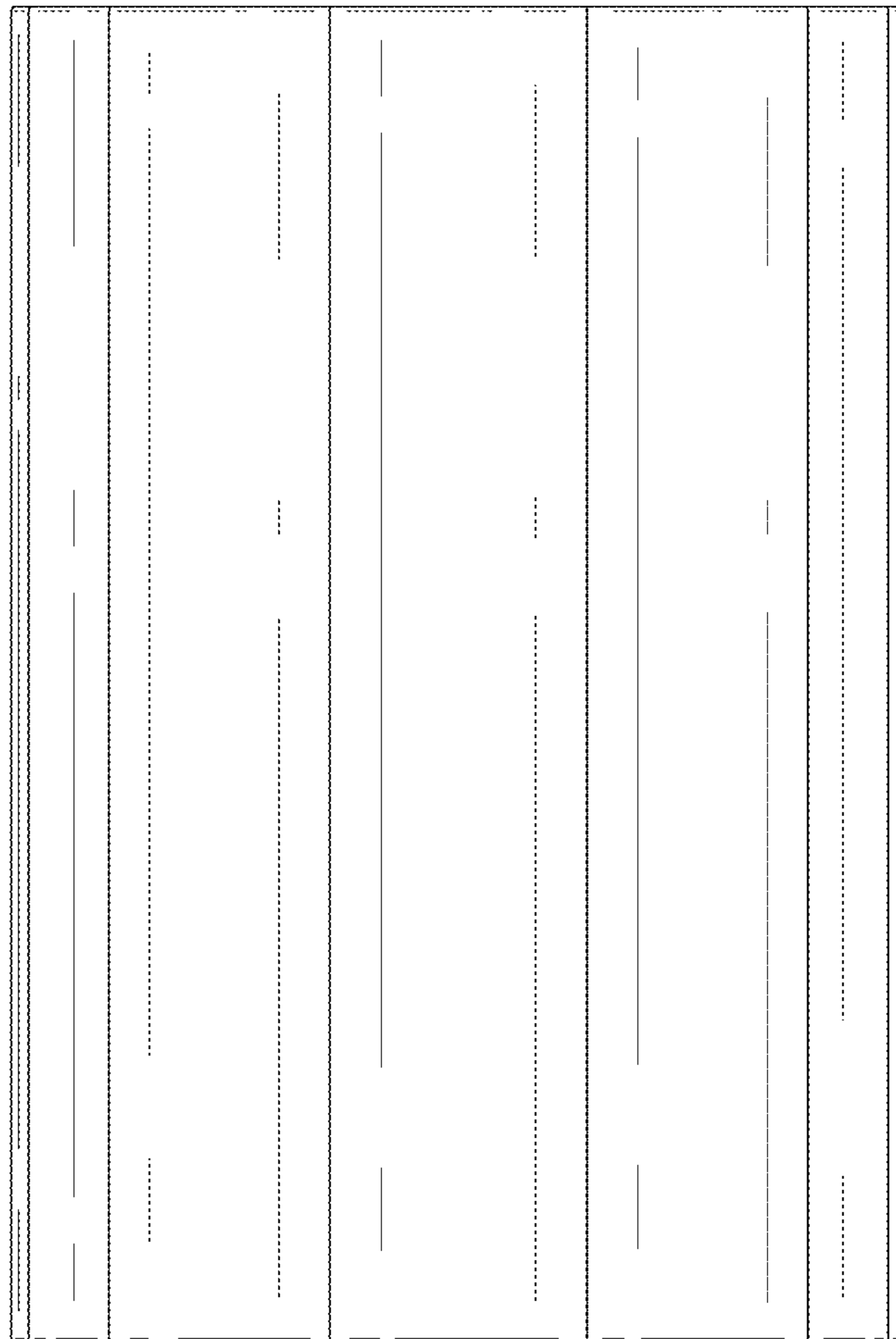


FIG. 7

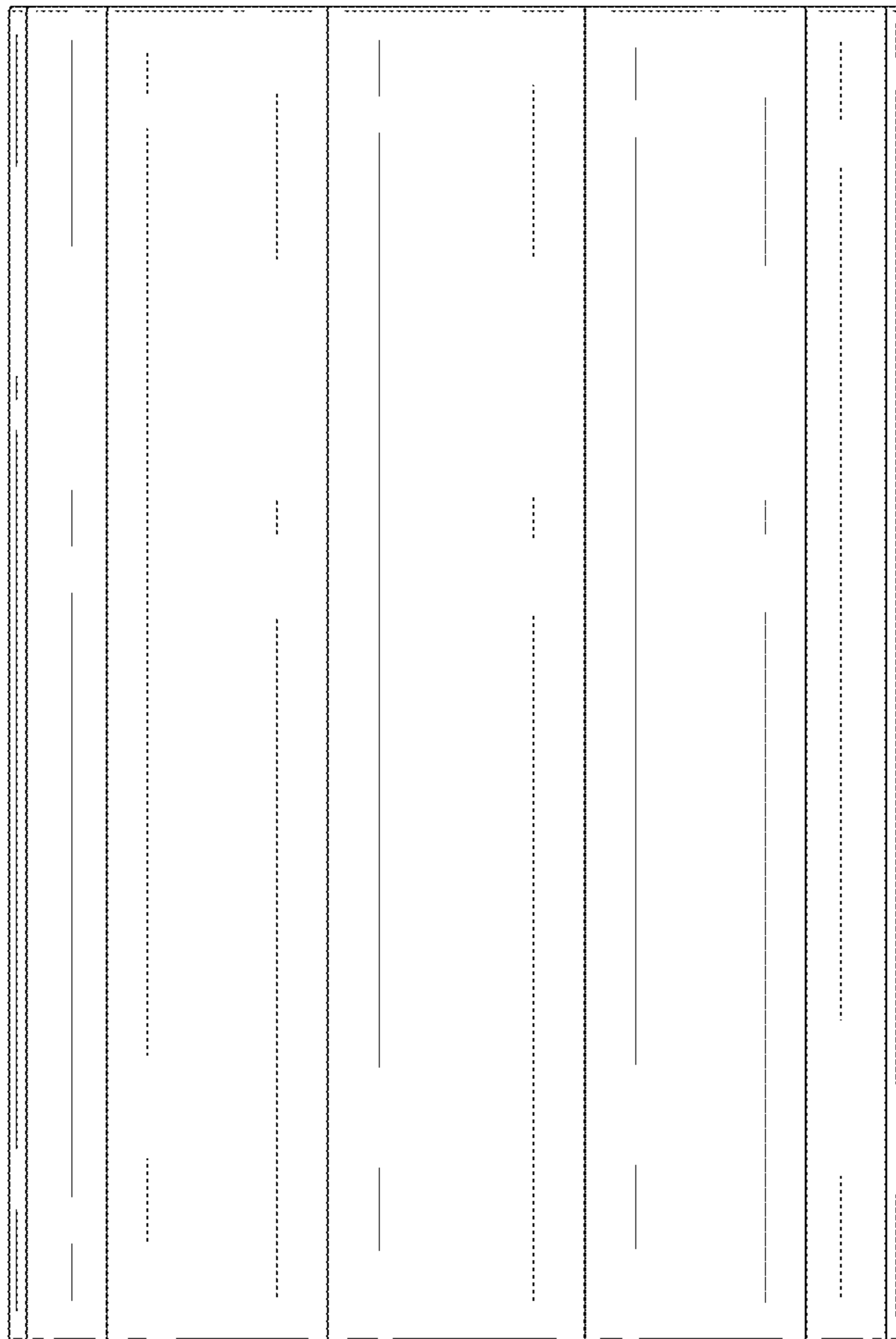


FIG. 8

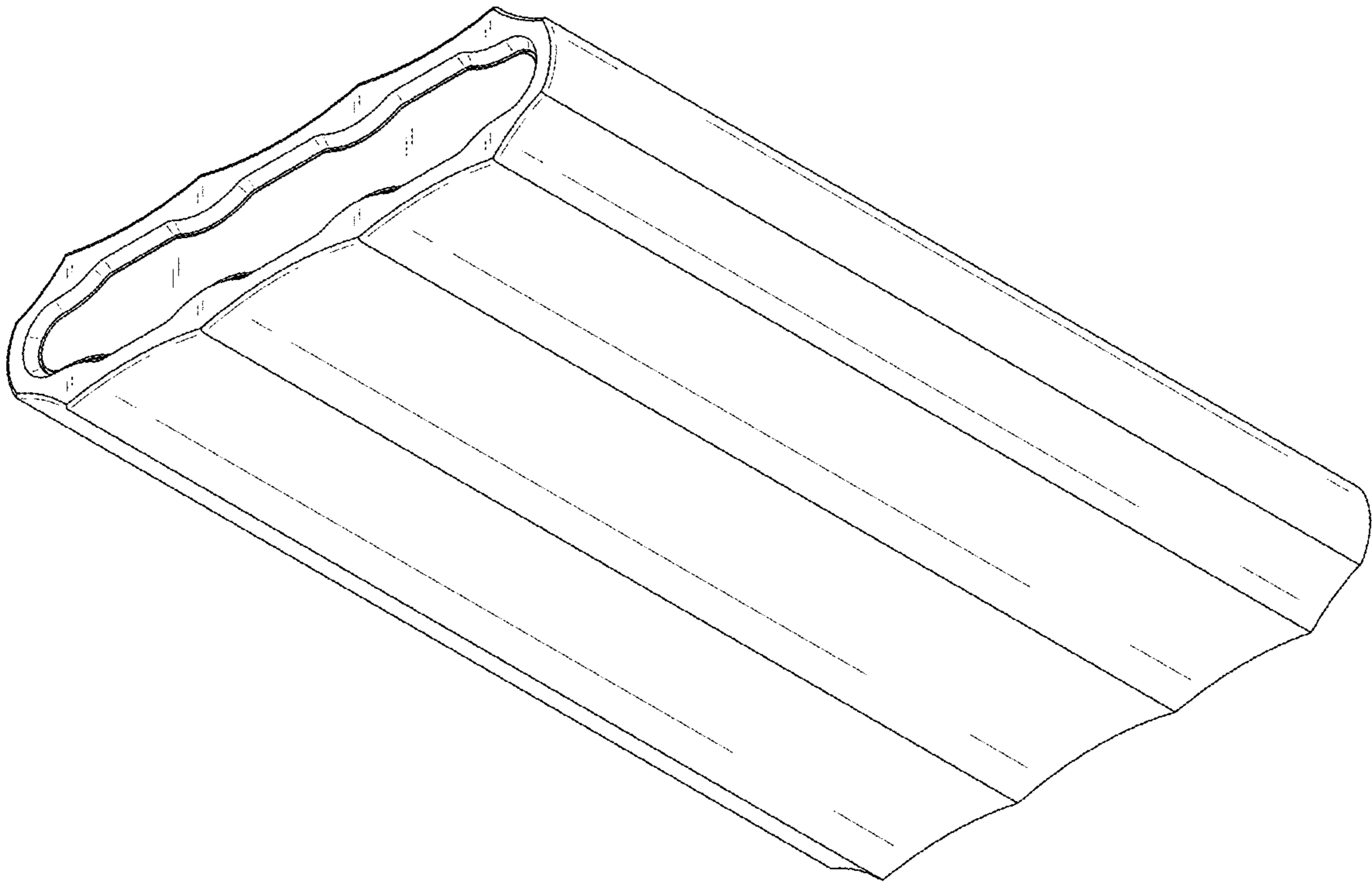


FIG. 9

