



US00D985558S

(12) **United States Design Patent** (10) **Patent No.:** **US D985,558 S**
Jun (45) **Date of Patent:** **** May 9, 2023**

(54) **SOLID STATE DRIVE MEMORY DEVICE**

FOREIGN PATENT DOCUMENTS

(71) Applicant: **SAMSUNG ELECTRONICS CO., LTD.**, Suwon-si (KR)

CN 305366940 S 9/2019
CN 305407962 S 10/2019

(72) Inventor: **Gye-Jin Jun**, Suwon-si (KR)

(Continued)

(73) Assignee: **SAMSUNG ELECTRONICS CO., LTD.**, Suwon-si (KR)

OTHER PUBLICATIONS

(**) Term: **15 Years**

Search Report dated Sep. 3, 2021 in Taiwanese application No. 110303551.

(21) Appl. No.: **29/800,484**

Primary Examiner — Marie D. Fast Horse

(22) Filed: **Jul. 21, 2021**

Assistant Examiner — Josiah D. Parsons

(30) **Foreign Application Priority Data**

(74) *Attorney, Agent, or Firm* — Sughrue Mion, PLLC

Mar. 4, 2021 (KR) 30-2021-0010654

(51) **LOC (14) Cl.** **14-02**

(57) **CLAIM**

(52) **U.S. Cl.**

The ornamental design for a solid state drive memory device, as shown and described.

USPC **D14/348**

(58) **Field of Classification Search**

DESCRIPTION

USPC D13/103, 107, 177, 179, 184; D14/301, D14/356, 363, 365, 432, 434, 435, 436, D14/437, 438, 474, 480.1, 484.1

CPC G06F 1/1658; G06F 1/1684; G06F 1/185; G06F 1/187; G06F 1/186; G06K 19/04; G06K 19/041; G06K 19/07728; G06K 19/07732; G06K 19/07747; G06K 19/077; G06K 19/0772; G11B 2220/60; H01L 23/34; H01L 23/40; H05K 5/03; H05K 5/04; H05K 5/06; H05K 5/061; H05K 5/0214; H05K 5/0086; H05K 5/0256; H05K 5/026; H05K 5/0269; H05K 5/0278; H05K 5/0243; H05K 5/0004; H05K 5/0008; H05K 5/0039; H05K 5/0043; H05K 5/0047; G11C 5/00

See application file for complete search history.

FIG. 1 is a front perspective view of a solid state drive memory device showing my new design; FIG. 2 is a front view thereof; FIG. 3 is a rear view thereof; FIG. 4 is a left-side view thereof; FIG. 5 is a right-side view thereof; FIG. 6 is a top plan view thereof; FIG. 7 is a bottom plan view thereof; FIG. 8 is another perspective view thereof; and, FIG. 9 is an enlarged view of the encircled portion 9 in FIG. 2.

(56) **References Cited**

The evenly dashed broken lines in the figures depict portions of the solid state drive memory device that form no part of the claimed design.

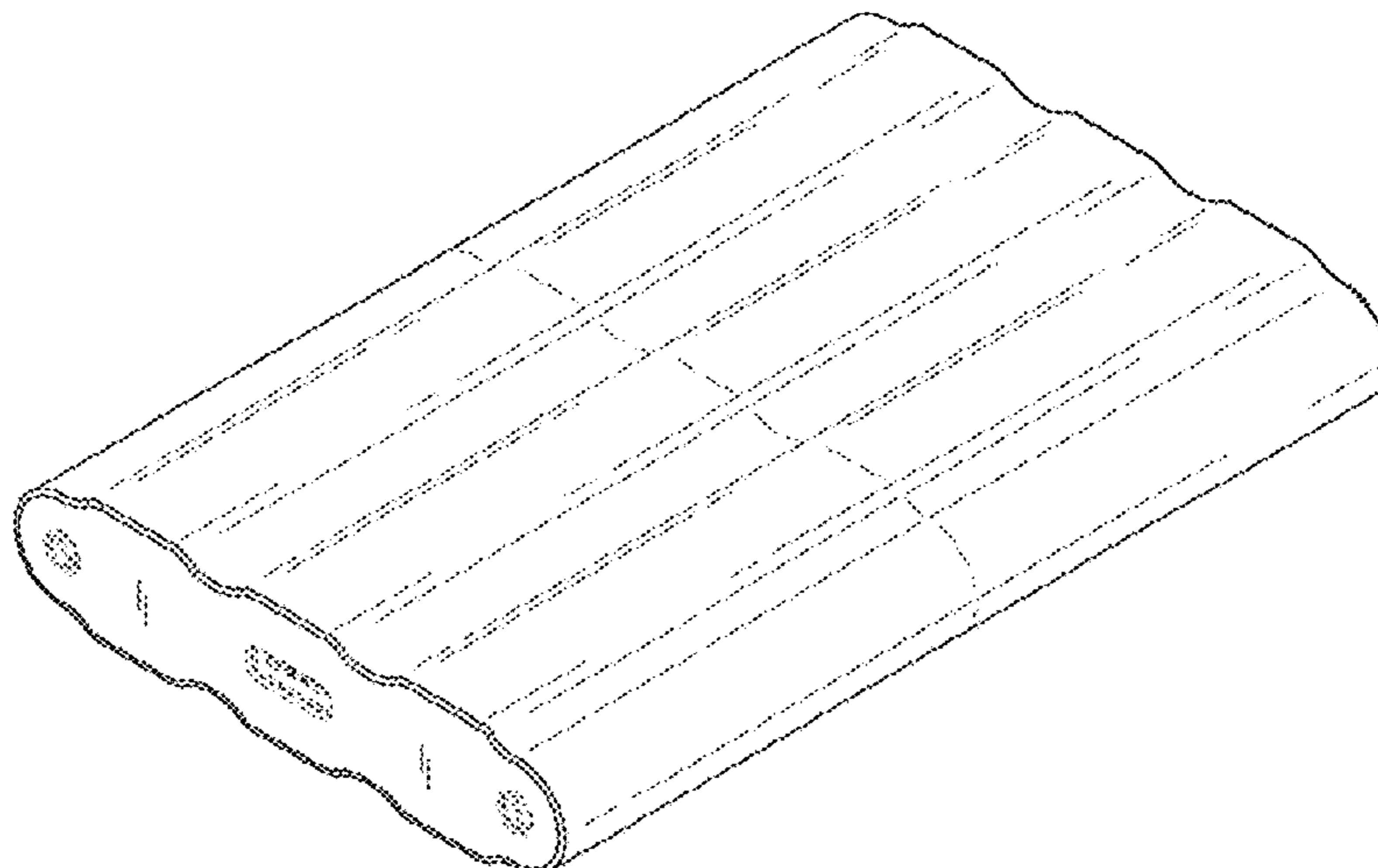
U.S. PATENT DOCUMENTS

The dot-dash broken lines encircling portions of the claimed design that are illustrated in enlargements form no part of the claimed design.

D309,728 S * 8/1990 Nuttall D14/356
D520,502 S * 5/2006 Xu D14/356

(Continued)

1 Claim, 9 Drawing Sheets



(56)

References Cited

U.S. PATENT DOCUMENTS

D520,994 S * 5/2006 Weiher D14/356
 D695,316 S * 12/2013 Akana D14/496
 D782,410 S * 3/2017 Li D13/103
 D791,070 S * 7/2017 Son D13/103
 D814,464 S * 4/2018 Huang D14/365
 D819,022 S * 5/2018 Shim D14/348
 D829,719 S * 10/2018 Shim D14/348
 D837,790 S * 1/2019 Wu D14/435
 D847,813 S * 5/2019 Jun D14/348
 D917,489 S * 4/2021 Jiang D14/434
 D922,380 S * 6/2021 Jun D14/348
 D937,197 S * 11/2021 Hao D13/103
 D939,495 S * 12/2021 Ricker D14/301
 D943,572 S * 2/2022 Zhang D14/348
 D949,133 S * 4/2022 Laffon de Mazieres . D14/203.3

D956,689 S * 7/2022 Reilly D13/103
 D958,785 S * 7/2022 Jun D14/348
 D963,640 S * 9/2022 Jun D14/348
 D964,930 S * 9/2022 Woo D13/103
 D976,257 S * 1/2023 Zhang D14/348
 2018/0184532 A1* 6/2018 Kim G06F 1/1652
 2019/0278343 A1* 9/2019 Cinar G06F 1/3275
 2021/0068273 A1* 3/2021 Chen G06F 1/1652
 2021/0334414 A1* 10/2021 Kwak G06F 3/0604

FOREIGN PATENT DOCUMENTS

CN 305560435 S 1/2020
 CN 305611137 S 2/2020
 CN 306019301 S 8/2020
 KR 30-0562383-0000 S 6/2010
 TW D180716 S 1/2017

* cited by examiner

FIG. 1

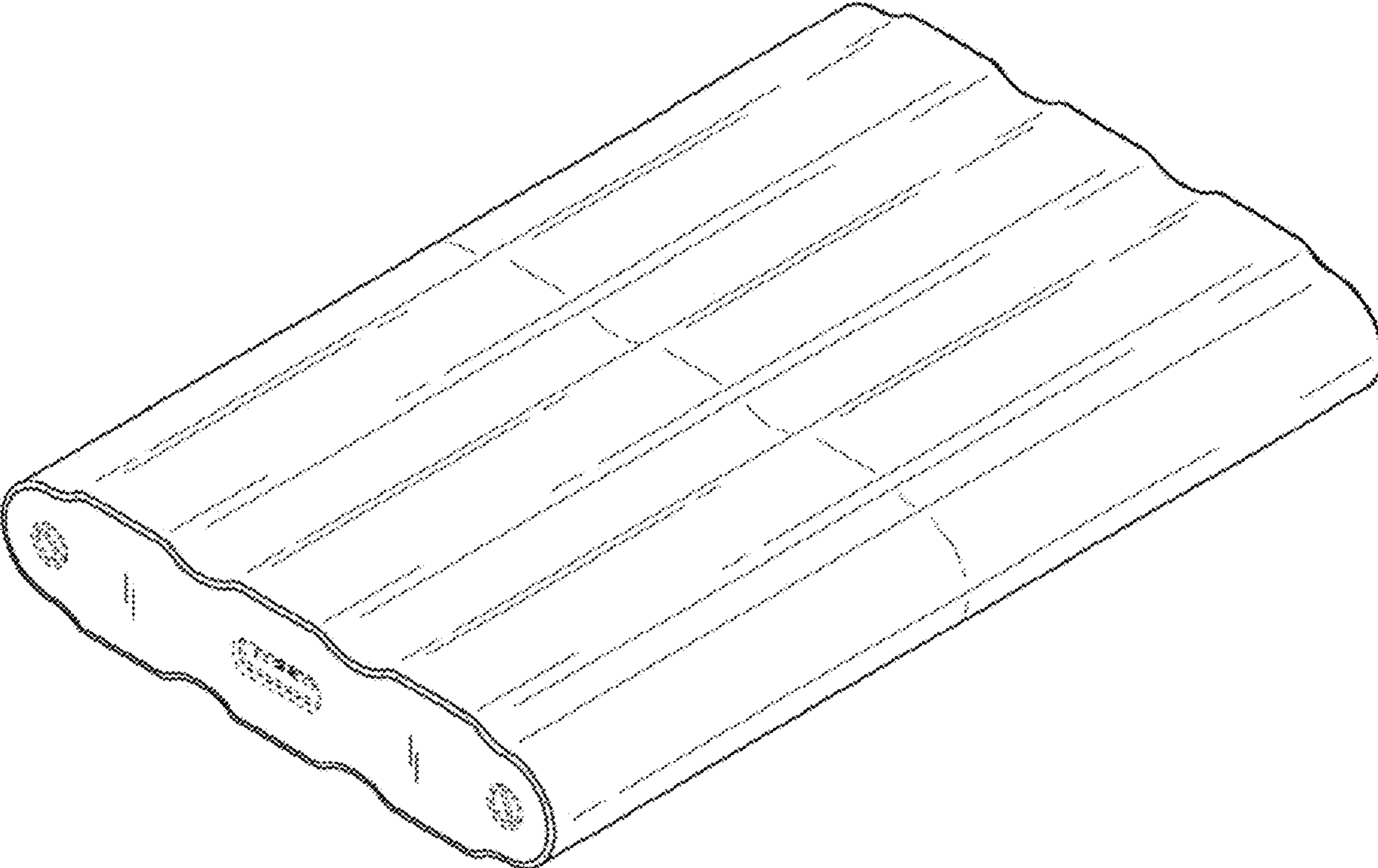


FIG. 2

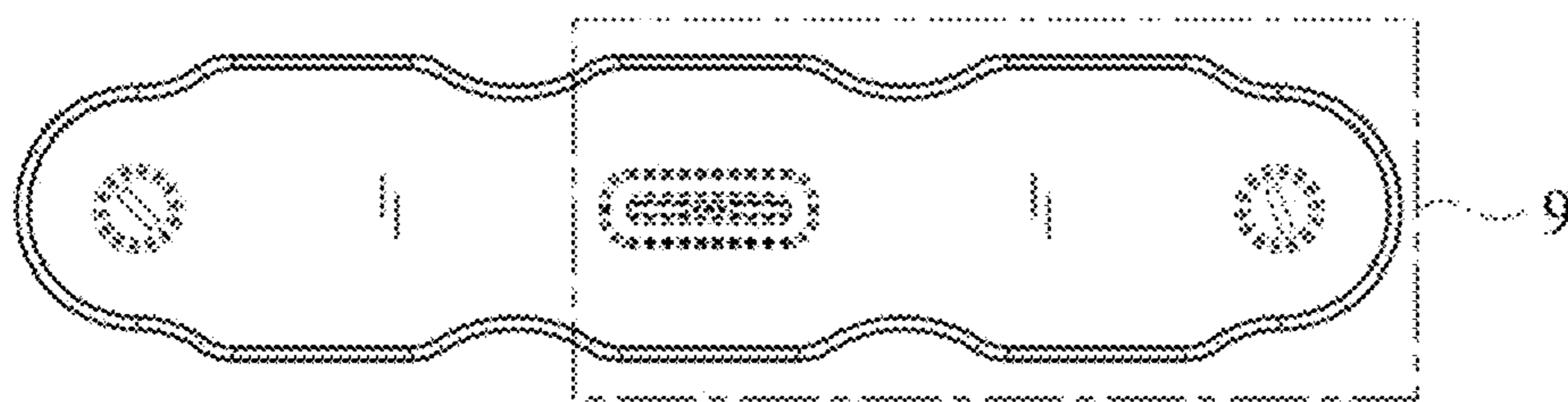


FIG. 3

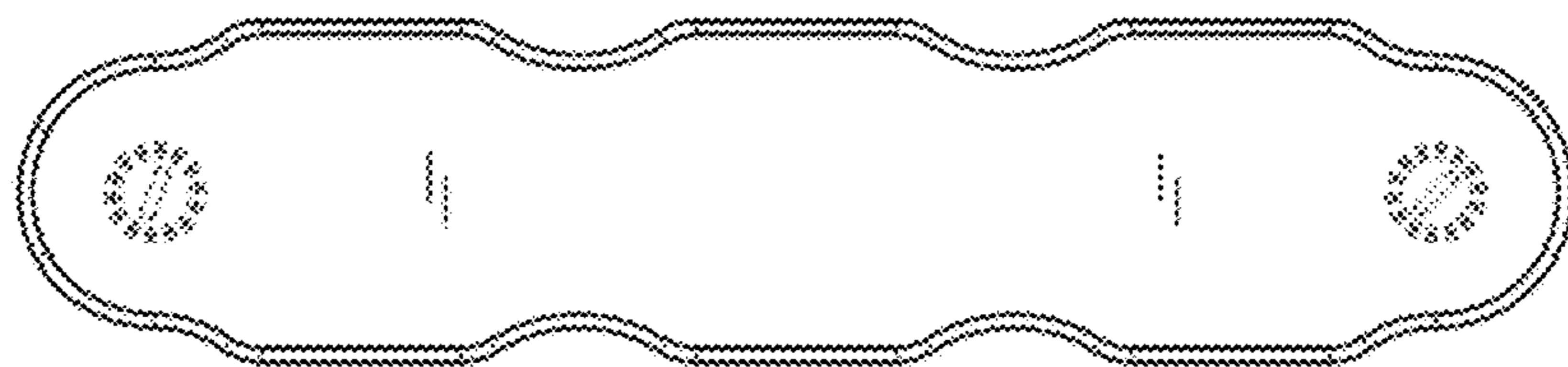


FIG. 4

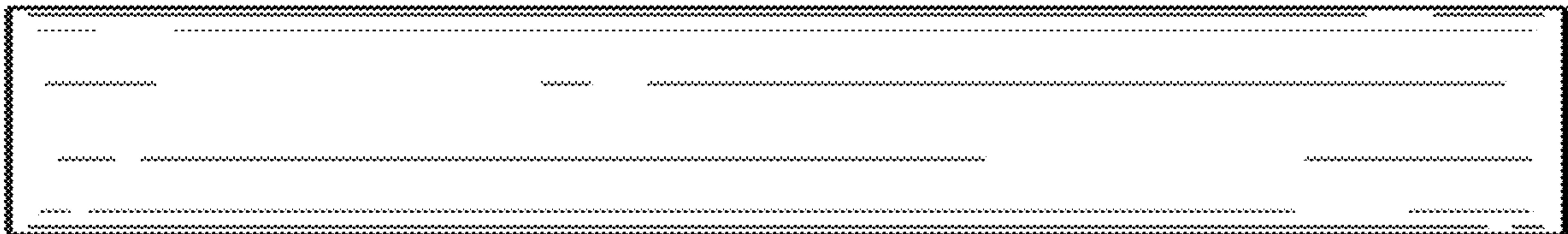


FIG. 5

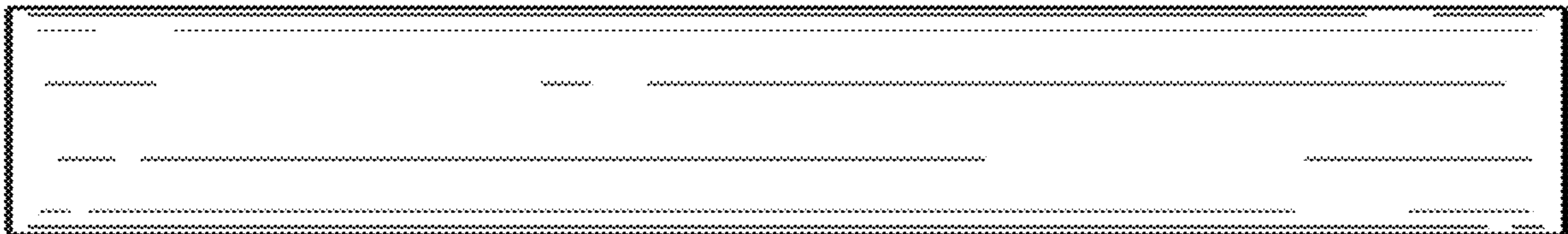


FIG. 6

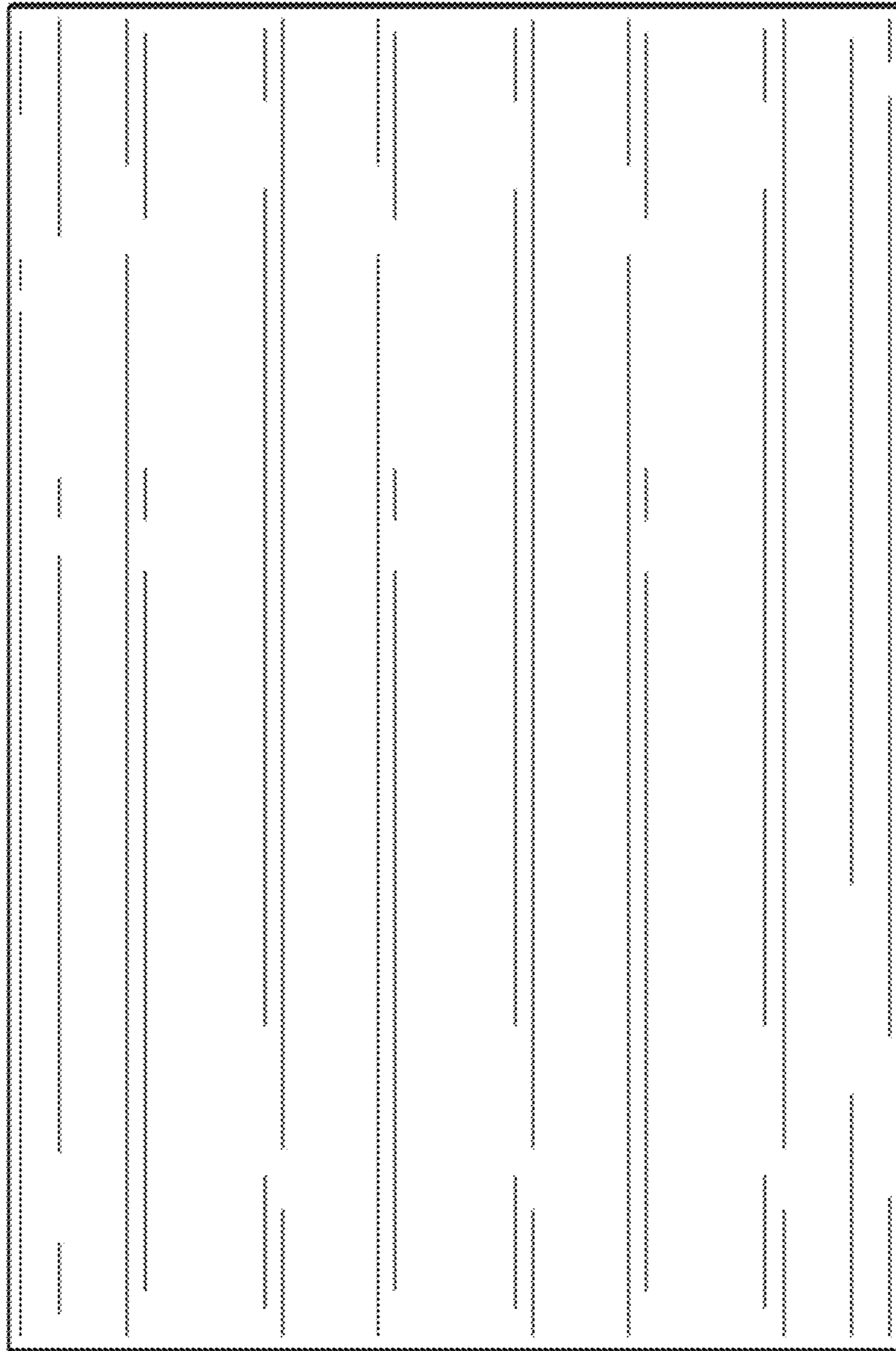


FIG. 7

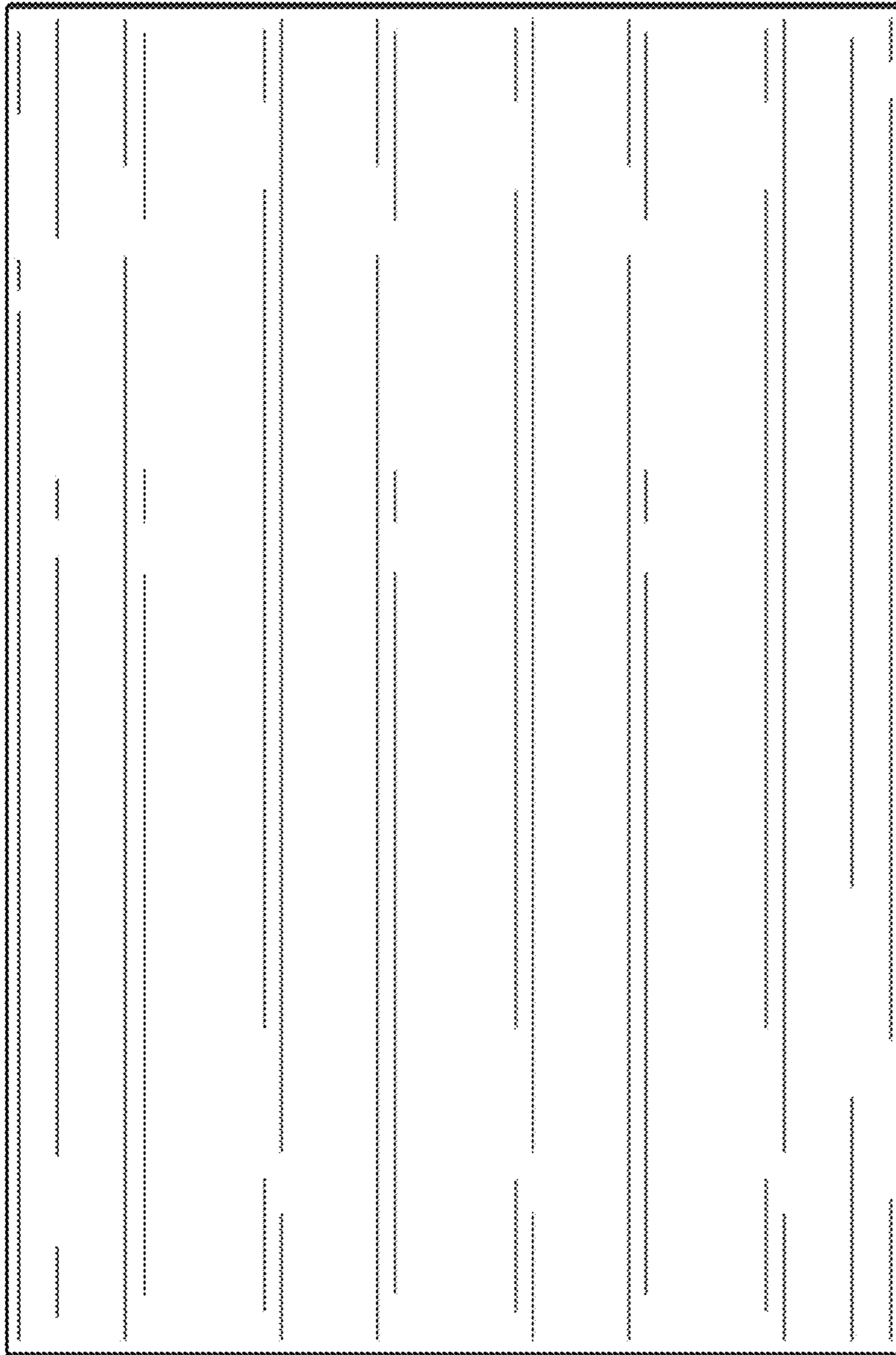


FIG. 8

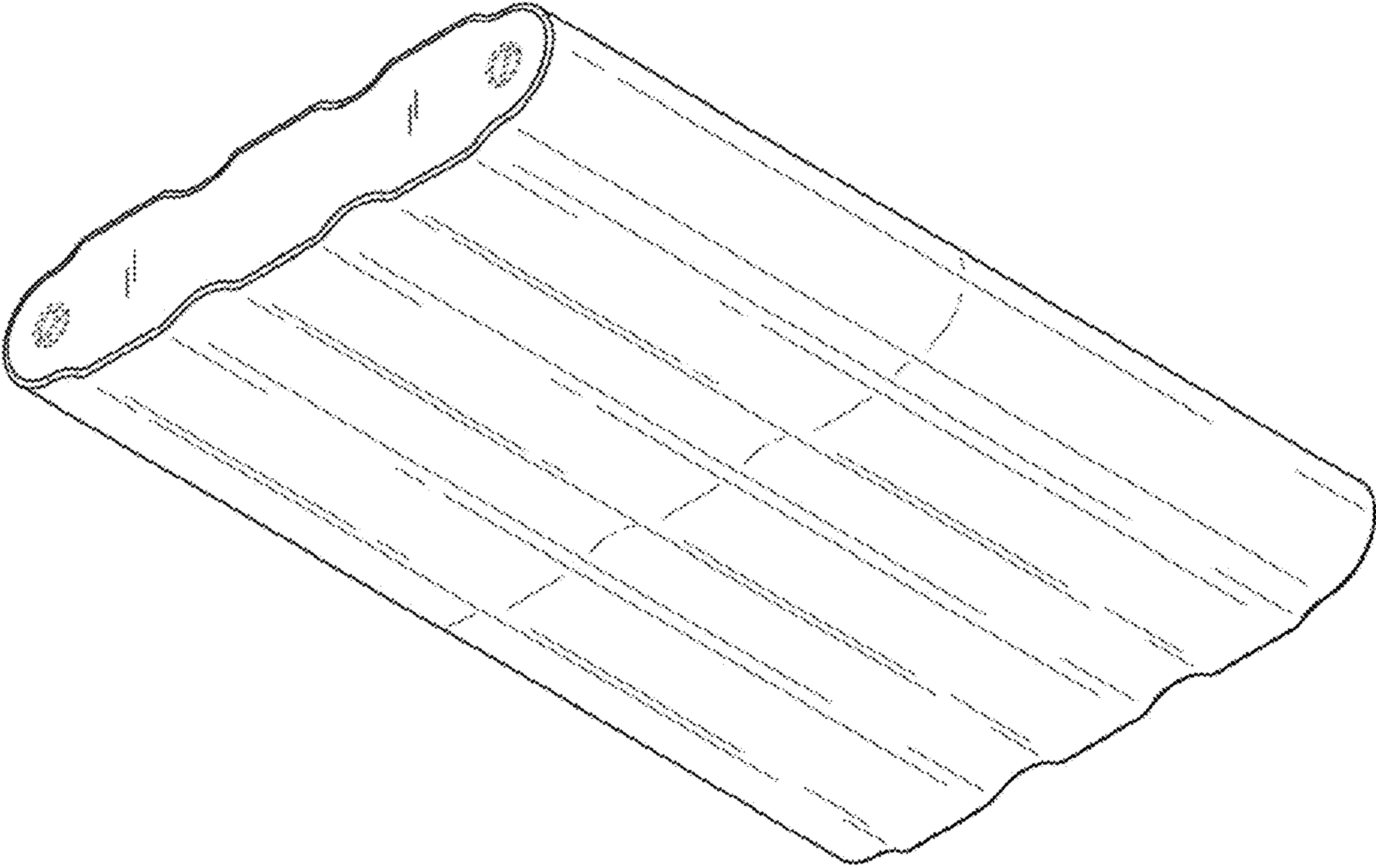


FIG. 9

