



US00D985556S

(12) **United States Design Patent**
Lin et al.

(10) **Patent No.:** **US D985,556 S**

(45) **Date of Patent:** **** May 9, 2023**

(54) **SMART WATCH**

(71) Applicant: **SHENZHEN LINWEAR
INNOVATION TECHNOLOGY CO.,
LTD.**, Shenzhen (CN)

(72) Inventors: **Yixun Lin**, Shenzhen (CN); **Yishu
Zhang**, Shenzhen (CN)

(**) Term: **15 Years**

(21) Appl. No.: **29/833,378**

(22) Filed: **Apr. 4, 2022**

(51) **LOC (14) Cl.** **14-02**

(52) **U.S. Cl.**
USPC **D14/344**

(58) **Field of Classification Search**
USPC D14/138 R, 344; D10/30, 31, 32, 38;
D11/1, 2, 3, 45, 6, 12, 13, 14, 15, 16, 20,
D11/26; D24/167
CPC G04G 17/00; G04G 17/045; G04G 17/08;
G04G 17/083; G04G 21/00; G04G 21/02;
G04G 21/025; G04G 21/06; G04G 21/08;
G04G 99/006; G06F 1/163; A44C 5/022;
A44C 5/025; A44C 5/0007; A44C
5/0015; A44C 5/0046; A44C 5/0053;
A44C 5/2052; A44C 5/2071; A44C 9/00;
A44C 9/0053

See application file for complete search history.

(56) **References Cited**

U.S. PATENT DOCUMENTS

D858,311 S *	9/2019	Zhang	D10/30
D860,988 S *	9/2019	Haapakoski	D14/344
D865,543 S *	11/2019	Lumme	D10/70
D868,779 S *	12/2019	Reivo	D14/344
D875,555 S *	2/2020	Komulainen	D10/70
D890,750 S *	7/2020	Reivo	D14/344
D893,474 S *	8/2020	Chung	D14/344
D915,399 S *	4/2021	Chao	D14/344

D923,002 S *	6/2021	Hong	D14/344
D933,065 S *	10/2021	Hong	D14/344
D952,497 S *	5/2022	Akana	D11/3
D960,153 S *	8/2022	Wu	D14/344

(Continued)

OTHER PUBLICATIONS

Samsung unveils circular smartwatch, but are apps available?,
www.phys.org, Aug. 31, 2015. <https://phys.org/news/2015-08-samsung-unveils-circular-smartwatch-apps.html> (Year: 2015).*

(Continued)

Primary Examiner — Llorelys Martinez

Assistant Examiner — Kwabena A. Ankobiah

(74) *Attorney, Agent, or Firm* — Runit Ranjit Kanakia

(57) **CLAIM**

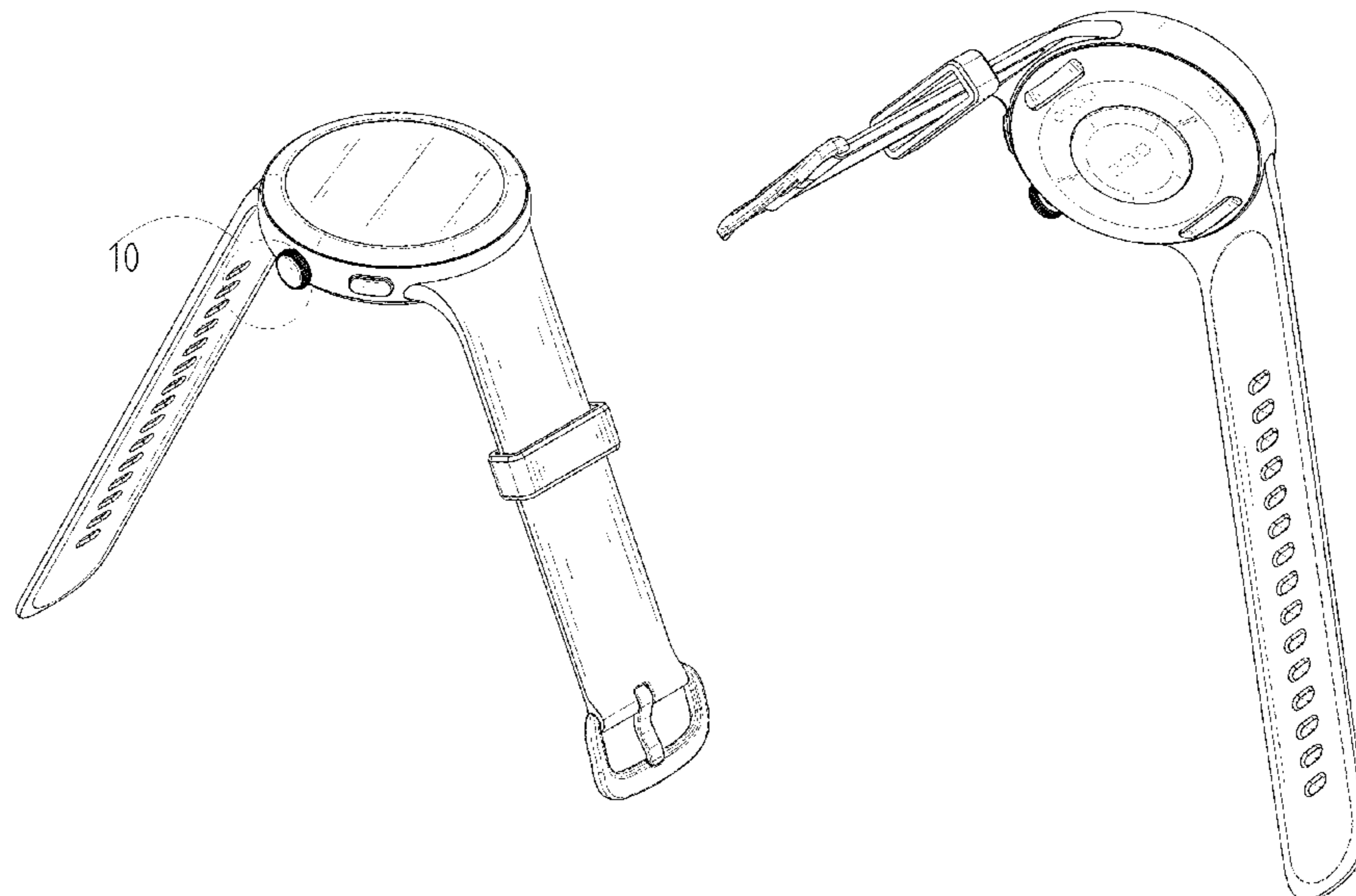
The ornamental design for a smart watch, as shown and described.

DESCRIPTION

FIG. 1 is a first perspective view of a smart watch showing our new design;
FIG. 2 is a second perspective view thereof;
FIG. 3 is a front view thereof;
FIG. 4 is a back view thereof;
FIG. 5 is a left side view thereof;
FIG. 6 is a right side view thereof;
FIG. 7 is a top view thereof;
FIG. 8 is a bottom view thereof;
FIG. 9 is an exploded view of the smart watch thereof; and,
FIG. 10 is an enlarged view of the selected portion 10 in FIG. 1.

The broken lines shown in the drawings depict portions of the smart watch that form no part of the claimed design. The dash dot dash broken lines in FIGS. 1 and 10 are included to show a partially enlarged view only and form no part of the claimed design.

1 Claim, 10 Drawing Sheets



(56)

References Cited

U.S. PATENT DOCUMENTS

D961,585 S * 8/2022 He D14/344

OTHER PUBLICATIONS

Samsung Galaxy Watch 4 40mm Smartwatch with ECG Monitor Tracker for Health, www.amazon.com, Aug. 11, 2021. <https://www.amazon.com/Samsuna-Electronics-Smartwatch-Detection-Bluetooth/do/B096BJLZZM> (Year: 2021).*

* cited by examiner

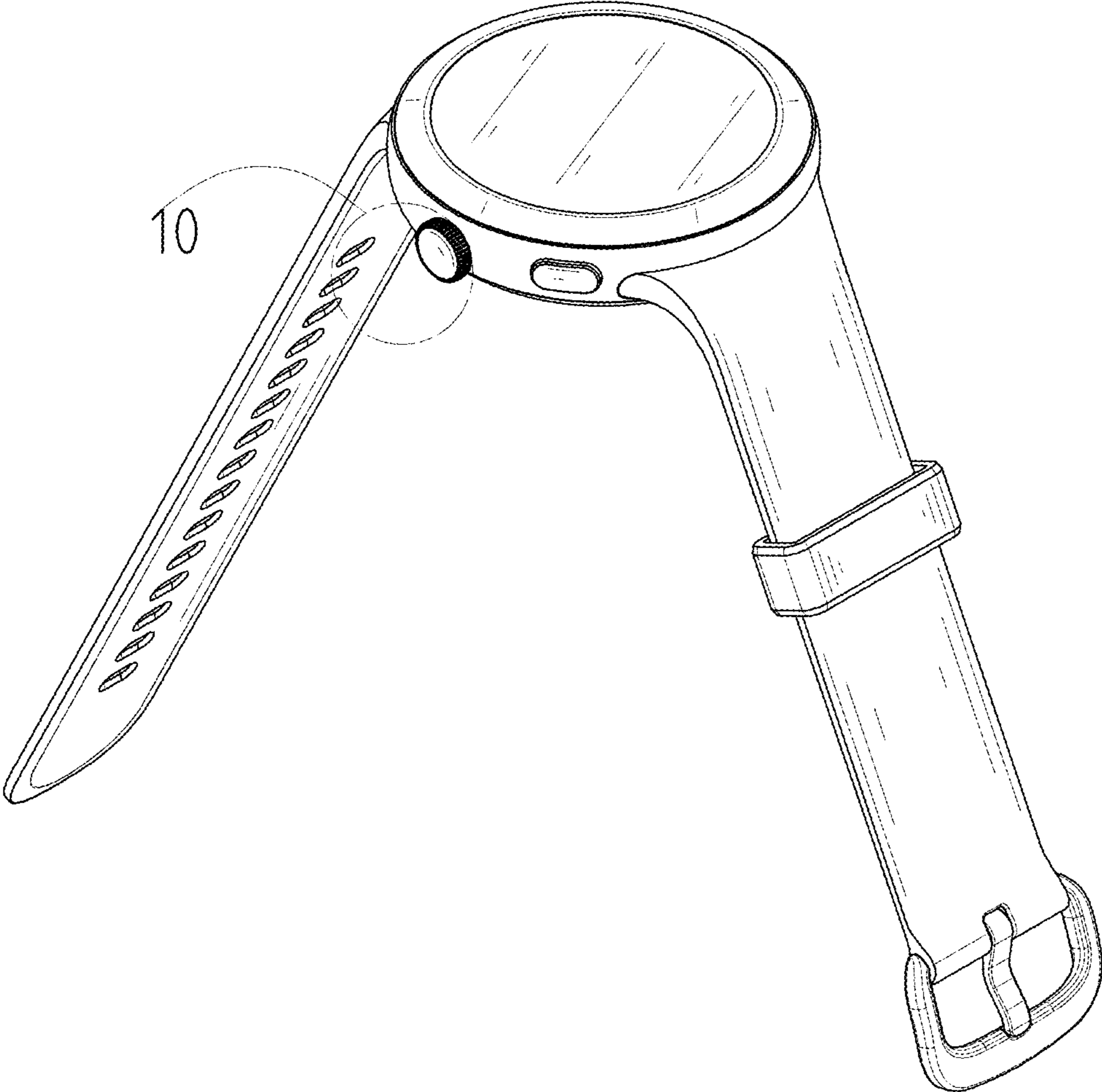


FIG. 1

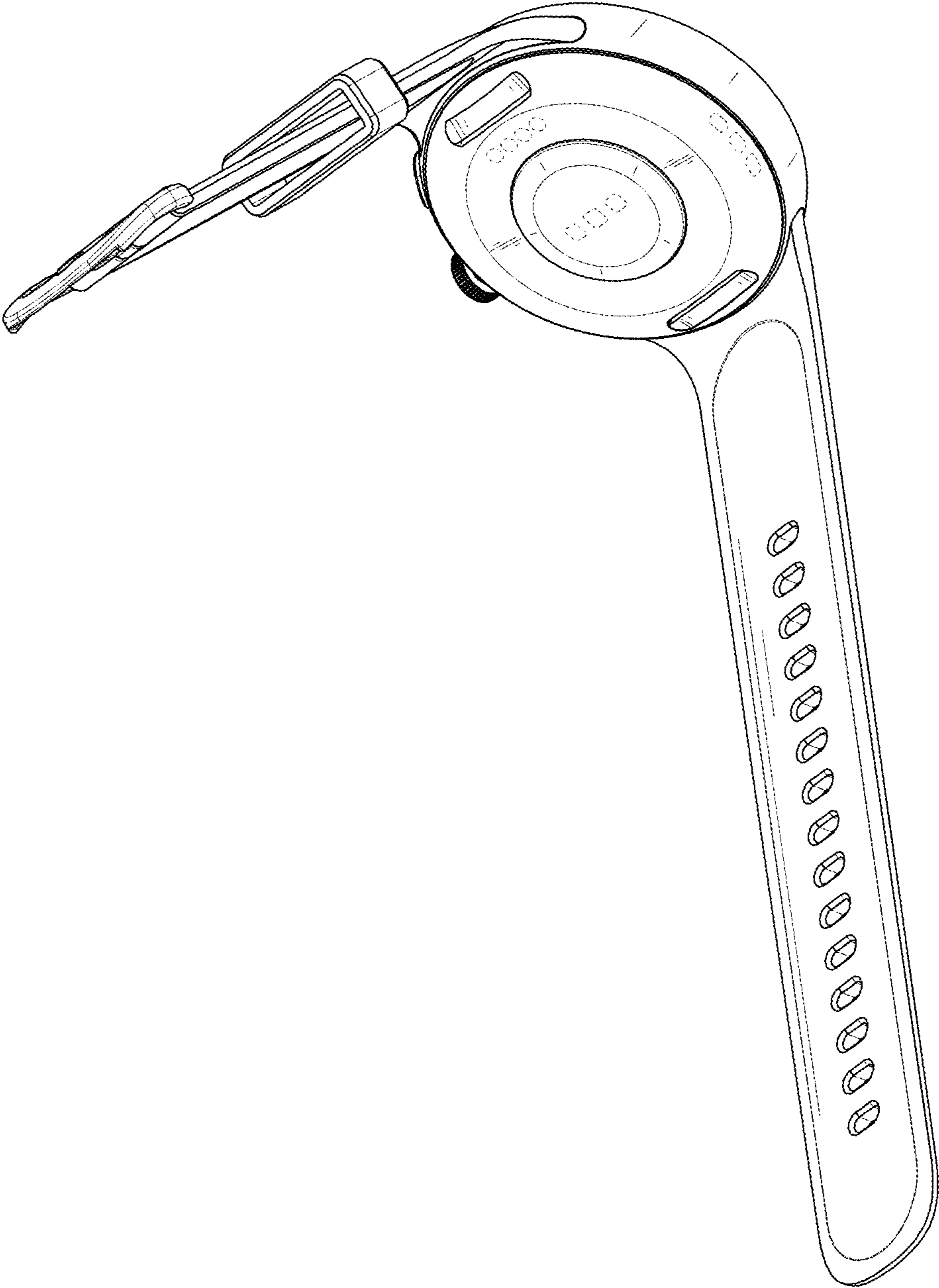


FIG. 2

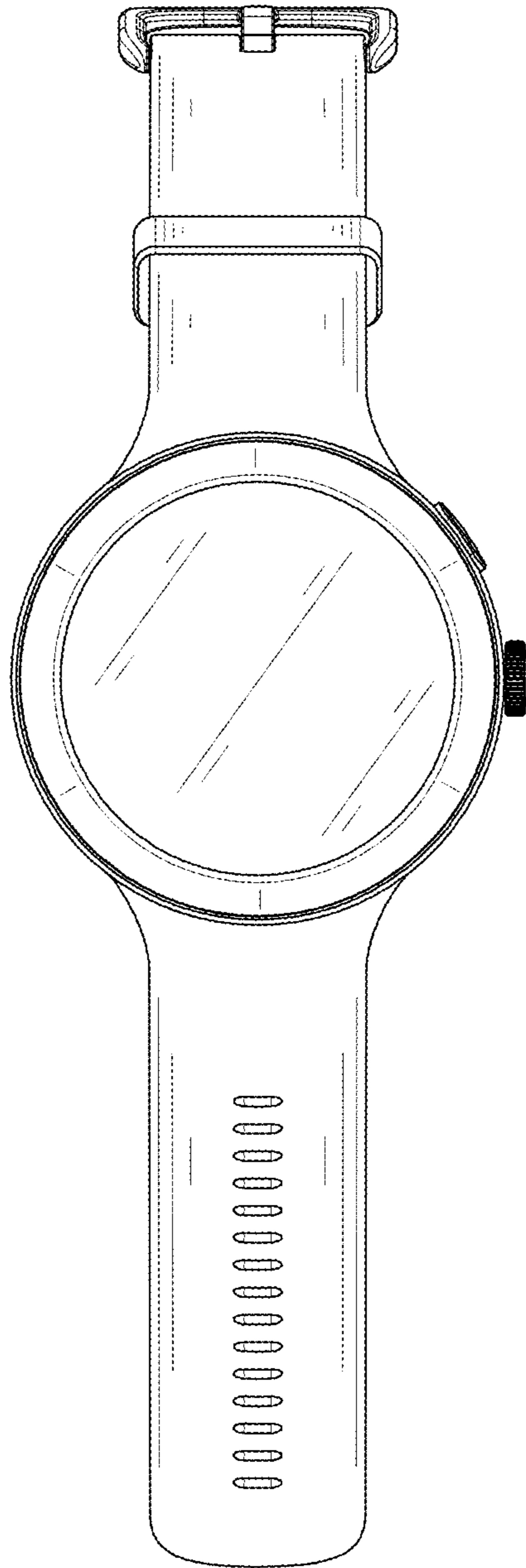


FIG. 3

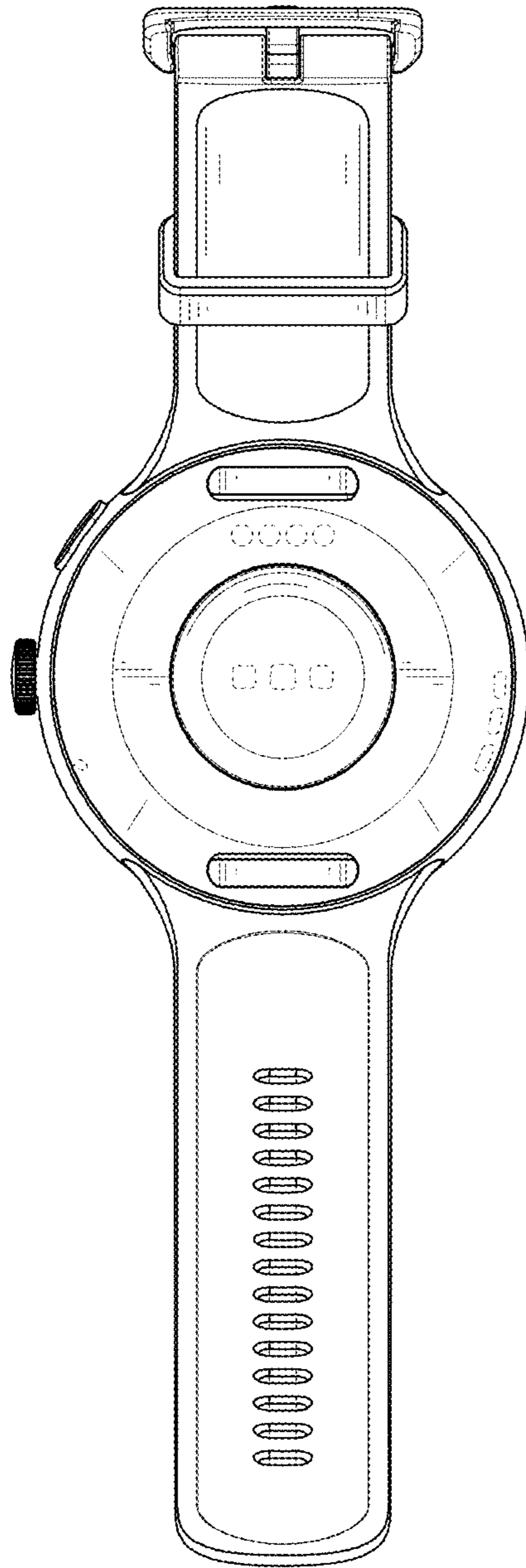


FIG. 4

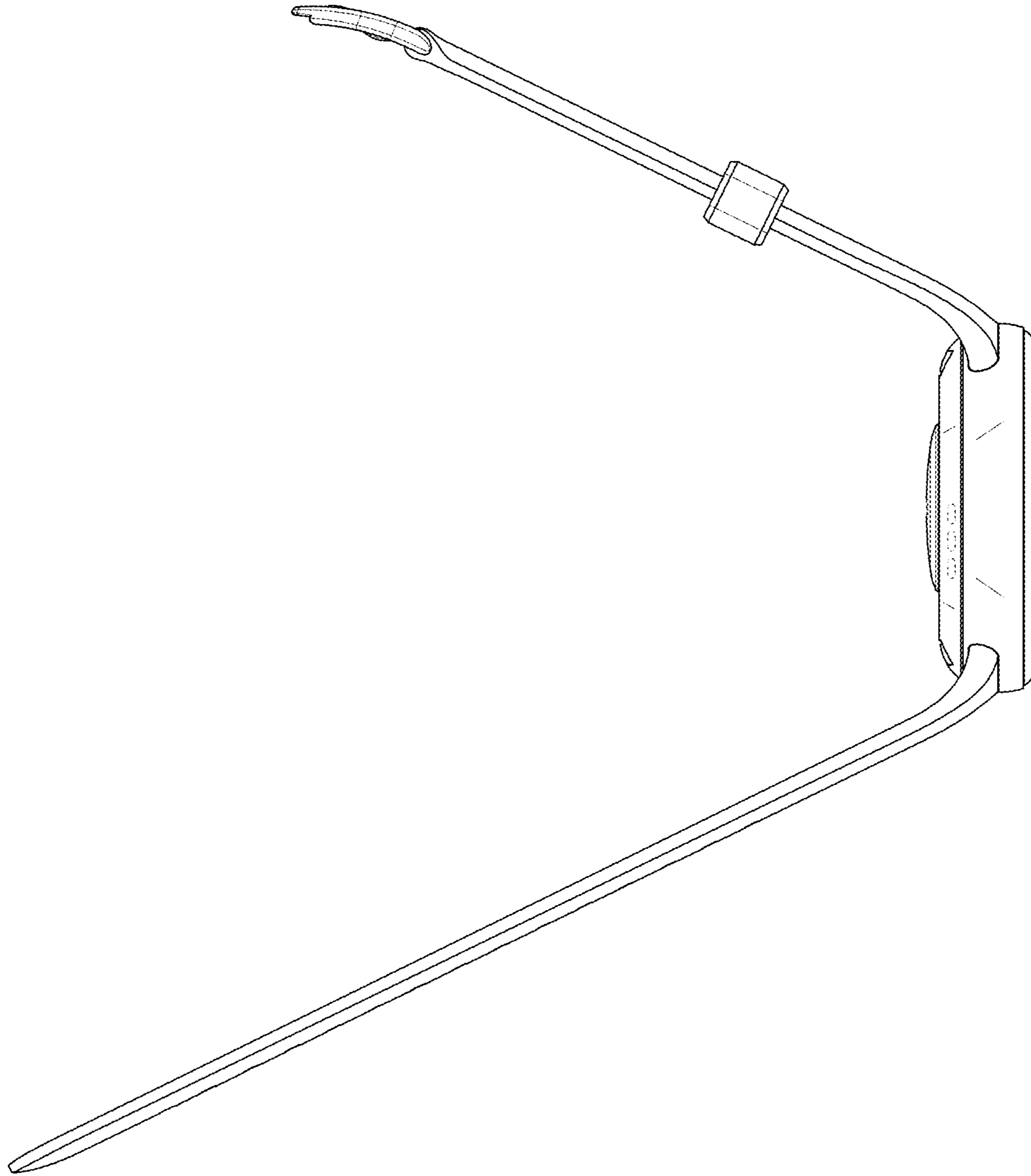


FIG. 5

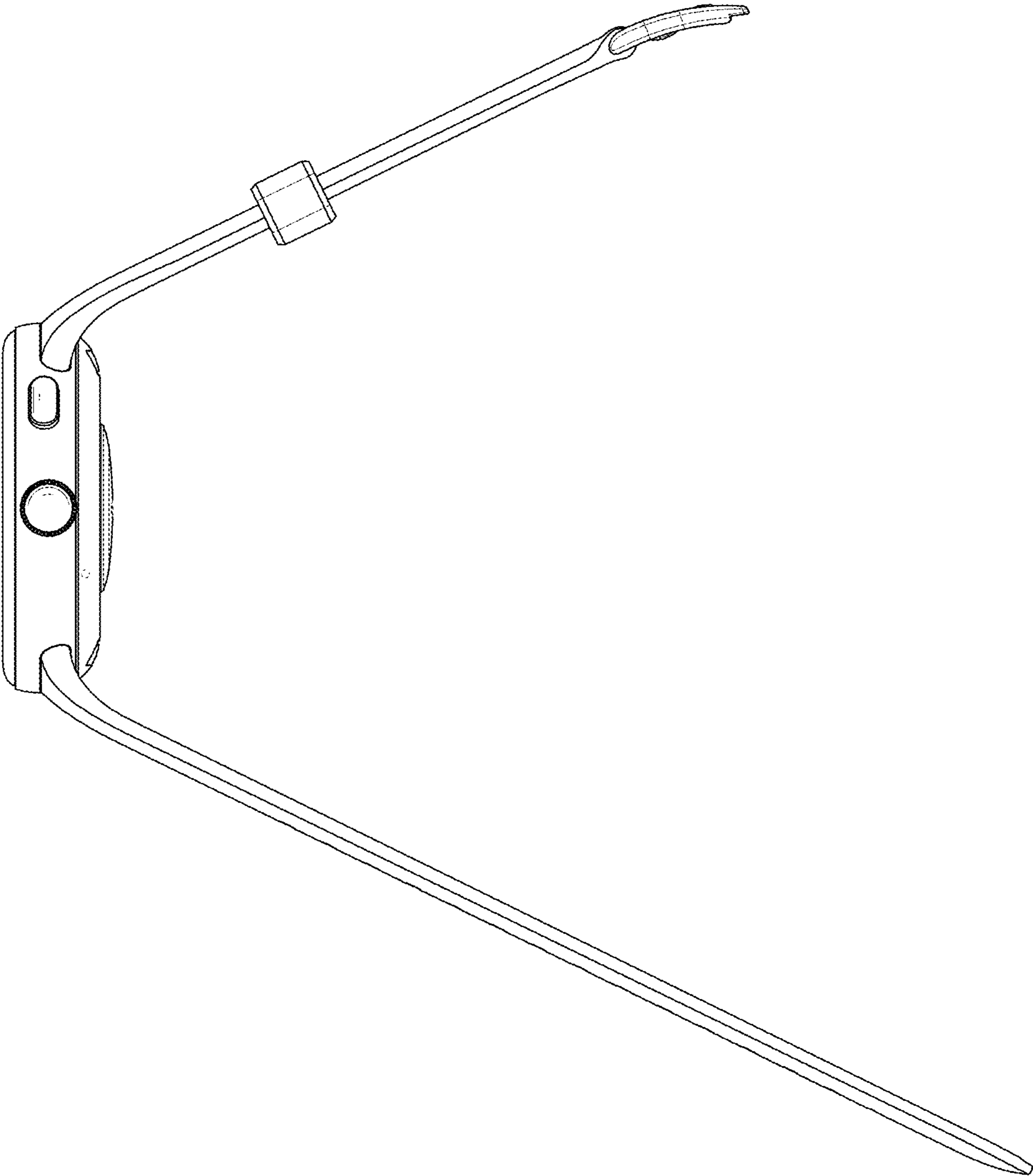


FIG. 6

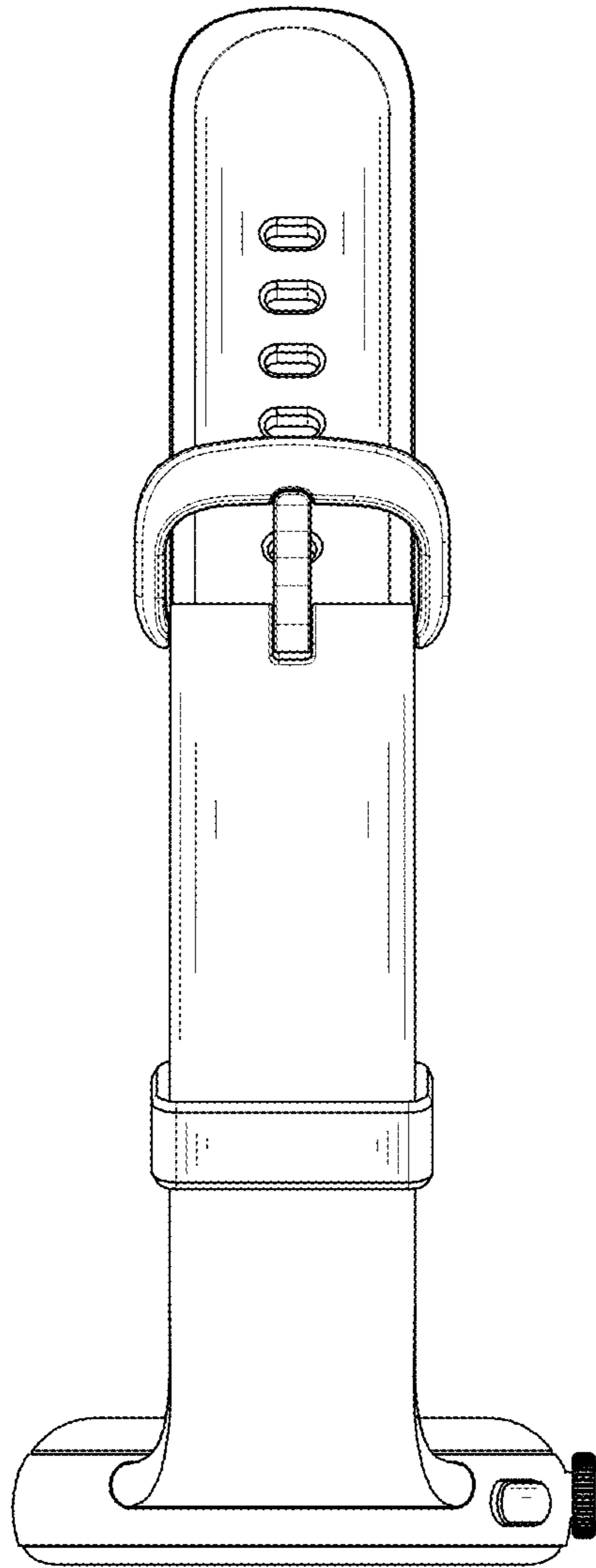


FIG. 7

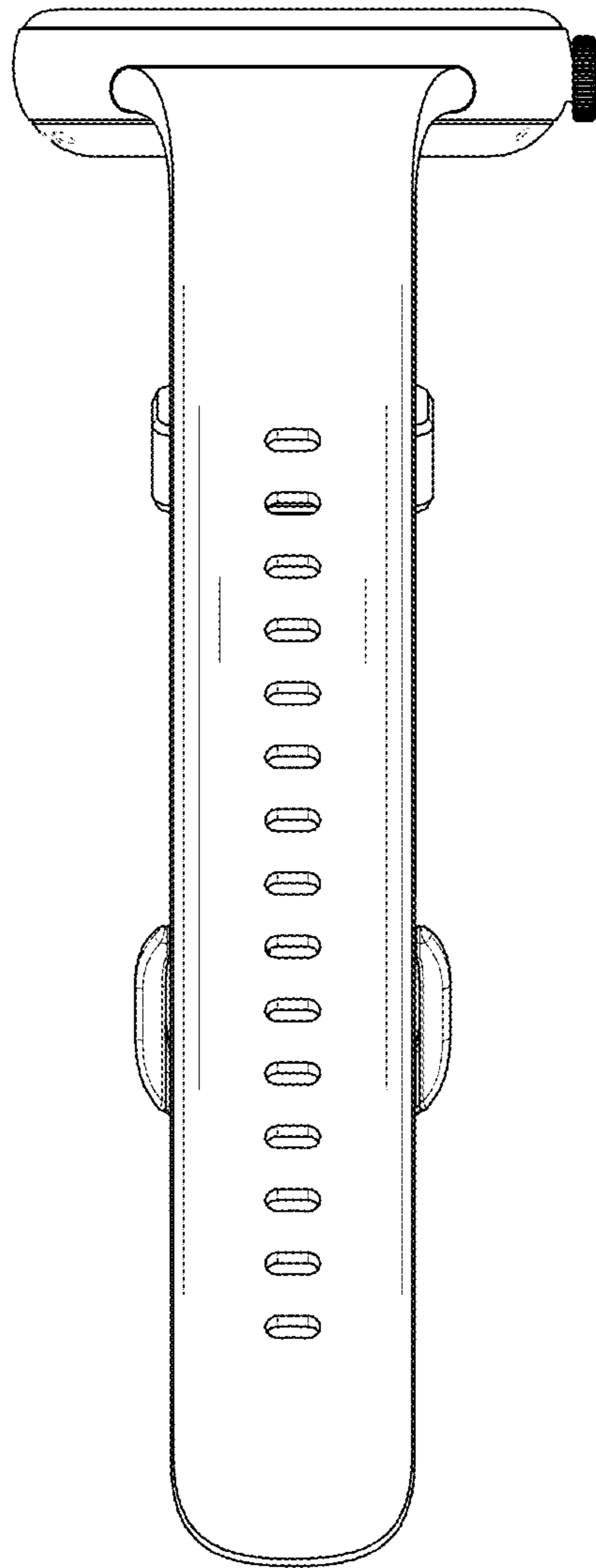


FIG. 8

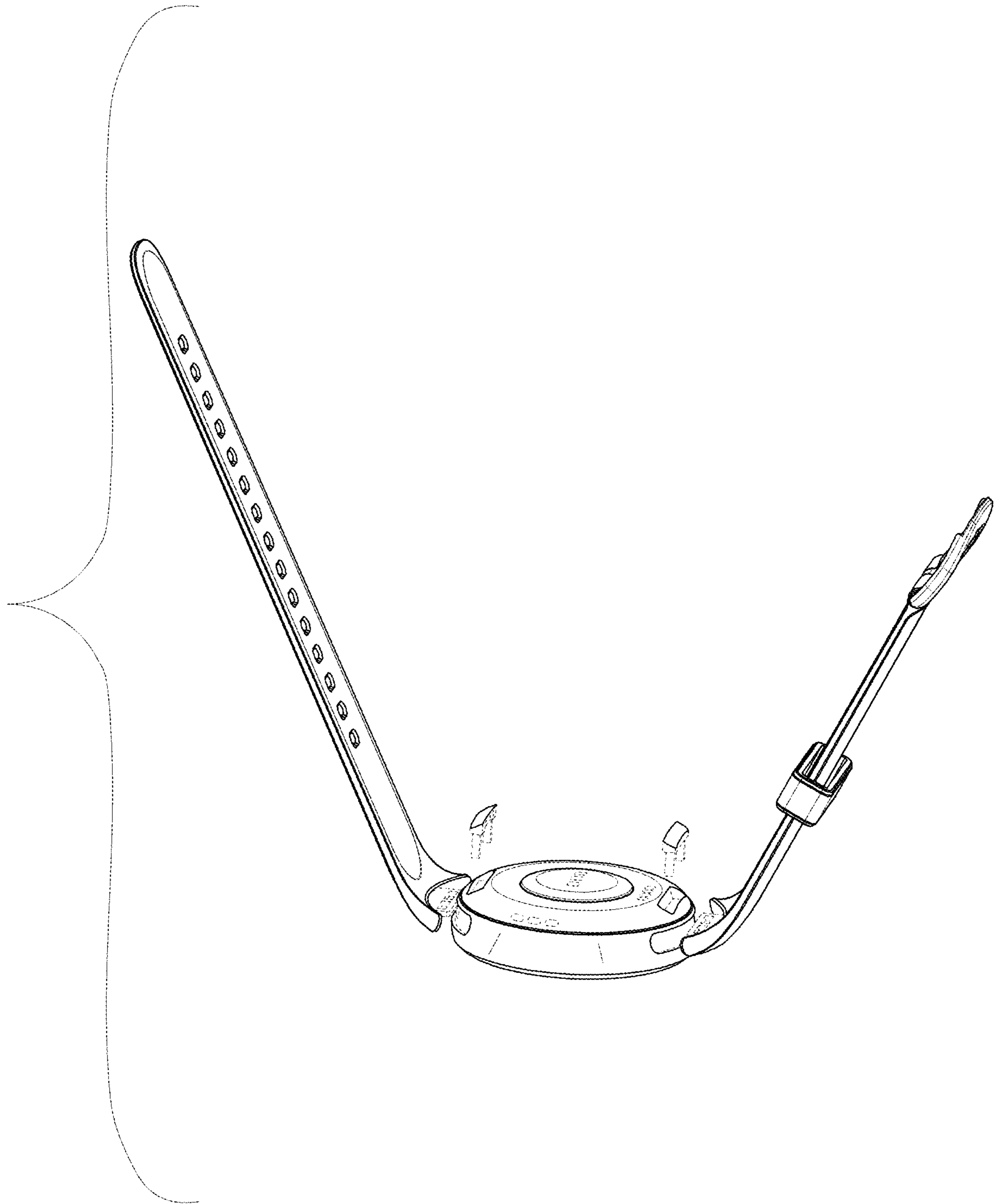


FIG. 9

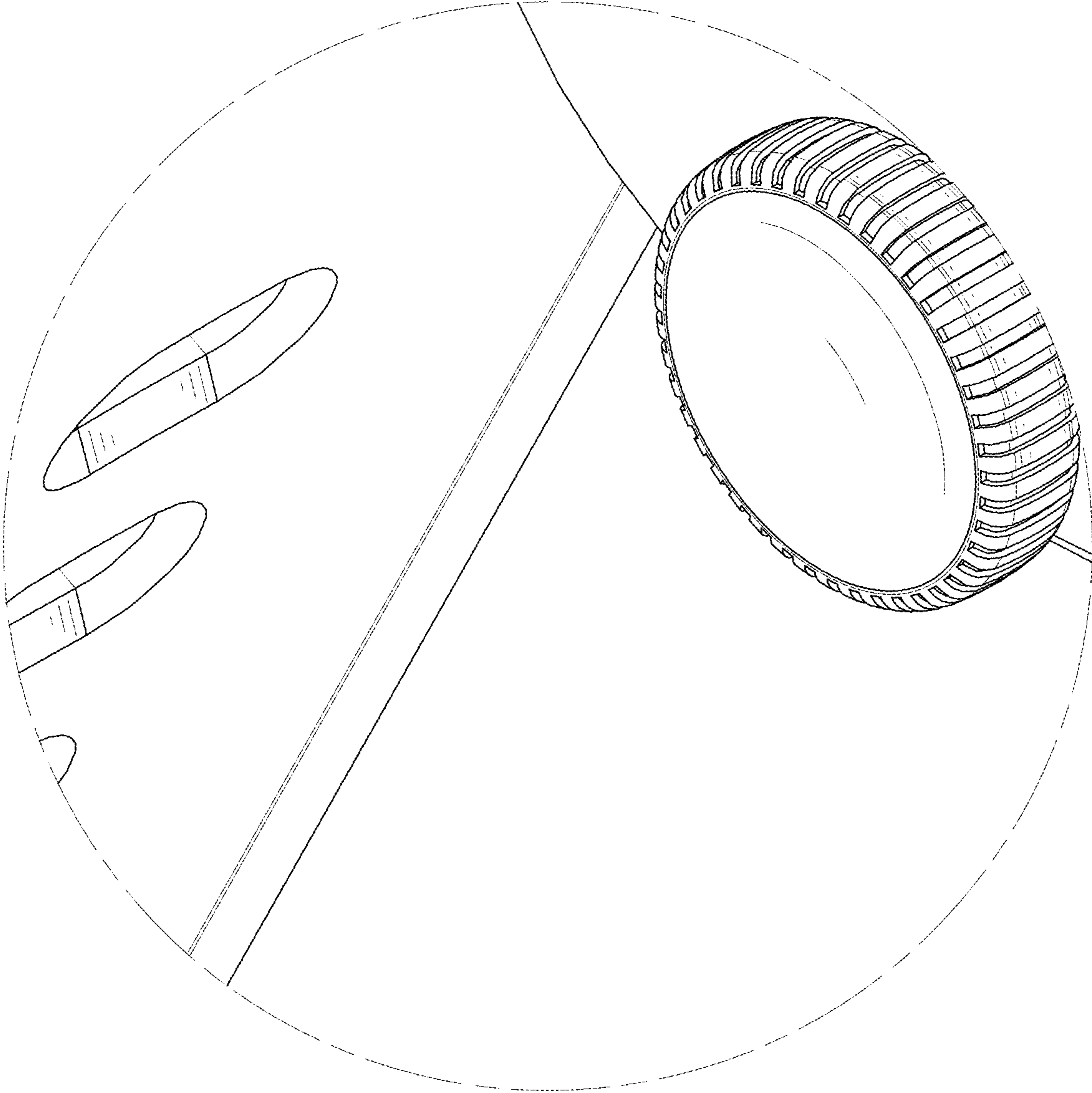


FIG. 10