



US00D98555S

(12) **United States Design Patent** (10) **Patent No.:** **US D985,555 S**
He et al. (45) **Date of Patent:** **** May 9, 2023**

(54) **SMARTWATCH**

FOREIGN PATENT DOCUMENTS

(71) Applicant: **SHENZHEN DO INTELLIGENT TECHNOLOGY CO., LTD.**, Shenzhen (CN)

CN 305045010 2/2019
CN 306296480 1/2021

(Continued)

(72) Inventors: **An He**, Shenzhen (CN); **Beijie Hong**, Shenzhen (CN)

OTHER PUBLICATIONS

(73) Assignee: **SHENZHEN DO INTELLIGENT TECHNOLOGY CO., LTD.**, Shenzhen (CN)

ID217G, www.idoosmart.com, Accessed Sep. 1, 2022. <https://www.idoosmart.com/item/217G.html> (Year: 2022).*

(Continued)

(**) Term: **15 Years**

Primary Examiner — Llorelys Martinez

Assistant Examiner — Kwabena A. Ankobiah

(21) Appl. No.: **29/825,450**

(74) *Attorney, Agent, or Firm* — Perry + Currier

(22) Filed: **Feb. 1, 2022**

(57) **CLAIM**

(51) **LOC (14) Cl.** **14-02**

The ornamental design for a smartwatch, as shown and described.

(52) **U.S. Cl.**

USPC **D14/344**

(58) **Field of Classification Search**

USPC D14/138 R, 344; D10/30, 31, 32, 38, 70; D11/3; D24/167

CPC G04G 17/00; G04G 17/06; G04G 17/08; G04G 17/083; G04G 17/045; G04G 21/00; G04G 21/02; G04G 21/025; G04G 21/06; G04G 21/08; G04G 99/006; G06F 1/163; A44C 5/00; A44C 5/0007; A44C 5/0015; A44C 5/0045; A44C 5/0053; A44C 5/2052; A44C 5/2071

See application file for complete search history.

DESCRIPTION

FIG. 1 is a front, right and top side perspective view of a smartwatch showing our new design;

FIG. 2 is a rear, left and bottom side perspective view thereof;

FIG. 3 is a front elevation view thereof;

FIG. 4 is a rear elevation view thereof;

FIG. 5 is a left side elevation view thereof;

FIG. 6 is a right side elevation view thereof;

FIG. 7 is a top plan view thereof;

FIG. 8 is a bottom plan view thereof;

FIG. 9 is an enlarged view of portion '9' in FIG. 1; and,

FIG. 10 is an enlarged view of portion '10' in FIG. 2.

The dot-dash lines encircling portions of the smartwa ch in FIGS. 1, 2, 9, and 10 are included to show a partially enlarged view only and form no part of the claimed design. The broken lines shown in the drawings represent portions of the smartwatch that form no part of the claimed design.

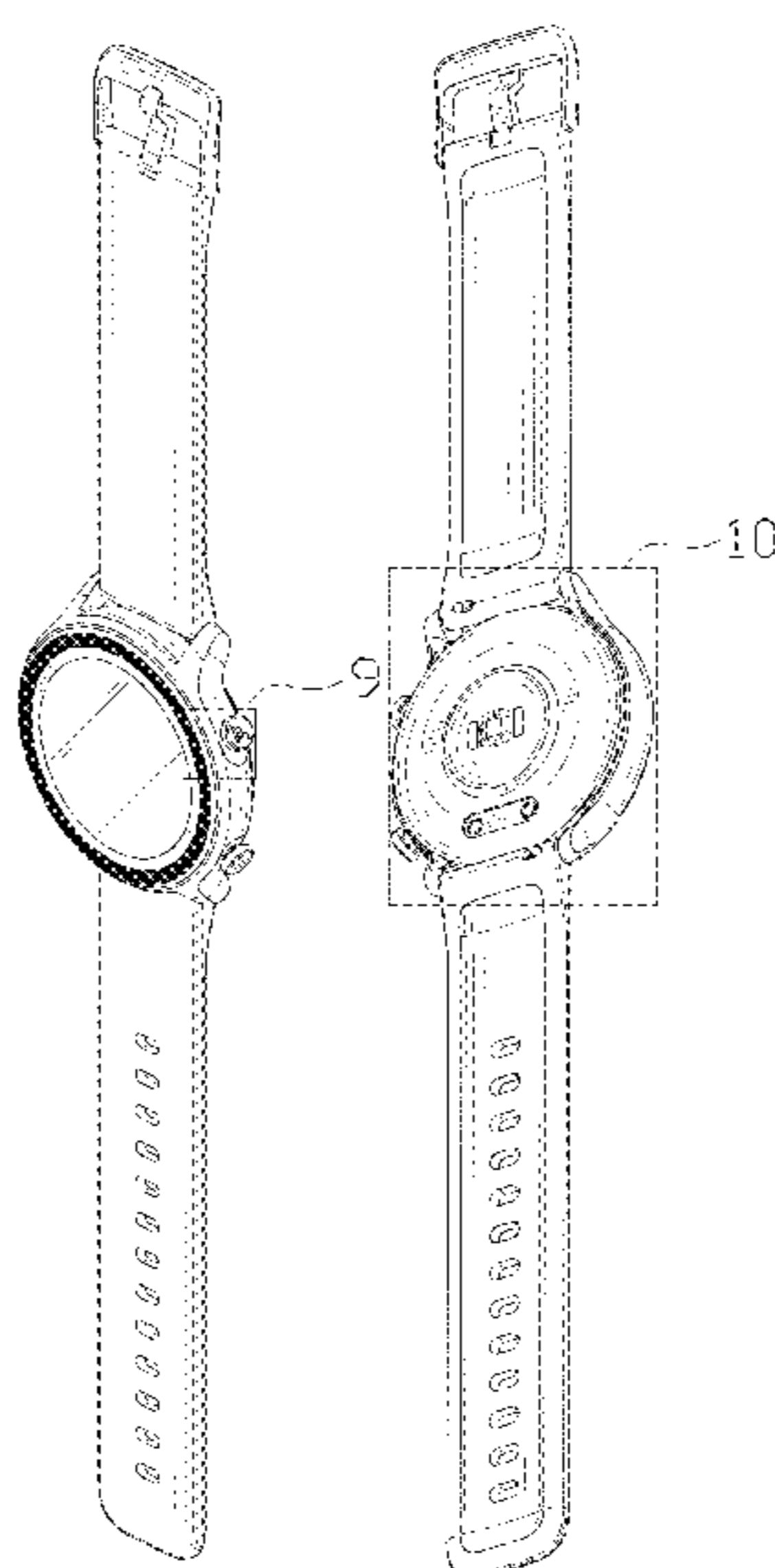
(56) **References Cited**

U.S. PATENT DOCUMENTS

D874,298 S * 2/2020 Xie D14/344
D912,542 S 3/2021 Moilanen et al.
D918,059 S * 5/2021 Wang D14/344
D923,004 S * 6/2021 Gao D14/344
D926,054 S * 7/2021 Cheng D10/38
D926,613 S 8/2021 Chao et al.

(Continued)

1 Claim, 10 Drawing Sheets



(56)

References Cited

U.S. PATENT DOCUMENTS

D933,065	S	*	10/2021	Hong	D14/344
D937,101	S	*	11/2021	Yuan	D14/344
D953,891	S	*	6/2022	Byler	D14/344
D956,236	S	*	6/2022	Chao	D10/38
D956,742	S	*	7/2022	Choi	D14/344
D957,266	S	*	7/2022	Zhou	D10/38
D958,139	S	*	7/2022	Cheng	D14/344
D960,153	S	*	8/2022	Wu	D14/344
D961,583	S	*	8/2022	Chung	D14/344
D961,585	S	*	8/2022	He	D14/344
D962,931	S	*	9/2022	He	D14/344

FOREIGN PATENT DOCUMENTS

CN	306539897	5/2021
CN	306809085	9/2021
CN	307000454	12/2021
CN	307017432	12/2021
EM	005940475-0004	12/2018
EM	007526686-0001	1/2020

OTHER PUBLICATIONS

ID217, www.idosmart.com, Accessed Sep. 1, 2022. <https://www.idosmart.com/item/217G.html> (Year: 2022).*

2022 ID217G Kids Big Screen GPS Smart Watch , www.alibaba.com, Accessed Sep. 1, 2022. https://www.alibaba.com/product-detail/2022-ID217G-Kids-Big-Screen-GPS_1600254023393.html (Year: 2022).*

getitworld.com, “Calybre Calling Smart Watch Metal Dial Quality, Men, Women Leather Strap.”, 2022, Calybre Calling Smart Watch, Accessed on Jan. 28, 2022 at URL: <https://www.getitworld.com/Products/CALYBRE-CALLING-SMART-WATCH-METAL-SILVER>.

Noise “Noisefit Evolve 2 Smartwatch.” Noise, 2021, Accessed on Jan. 27, 2022 at URL: <https://www.gonoise.com/products/noise-noisefit-evolve-2-smartwatch>.

Realme Store, “Realme Watch S Pro”, 2022, Accessed on Jan. 28, 2022 at URL: <https://buy.realme.com/in/goods/287>.

mi.com “Mi-Watch.”, mi.com, 2022, Accessed on Jan. 27, 2022 from URL: <https://www.mi.com/global/product/mi-watch/>.

Amazfit, “Amazfit GTR 2.” Amazfit India, 2020, Accessed on Jan. 28, 2022 at URL: <https://in.amazfit.com/products/amazfit-gtr-2>.

* cited by examiner

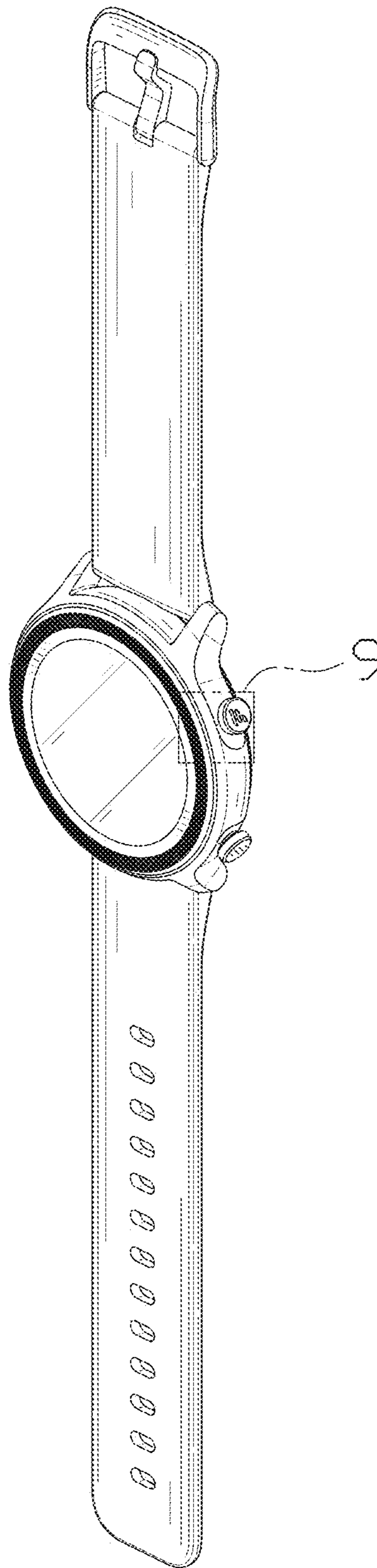


FIG. 1

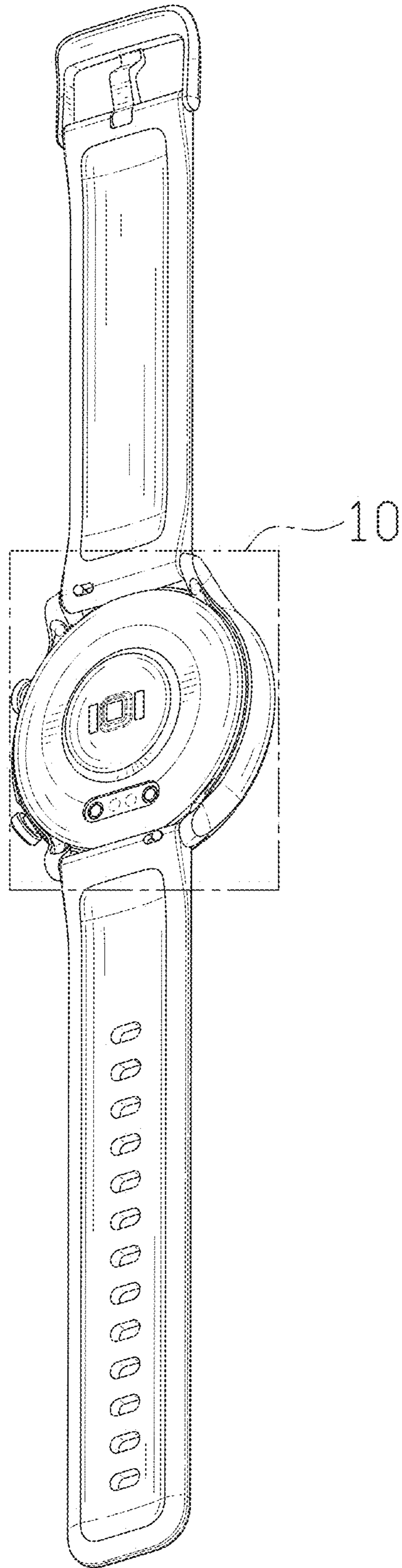


FIG. 2

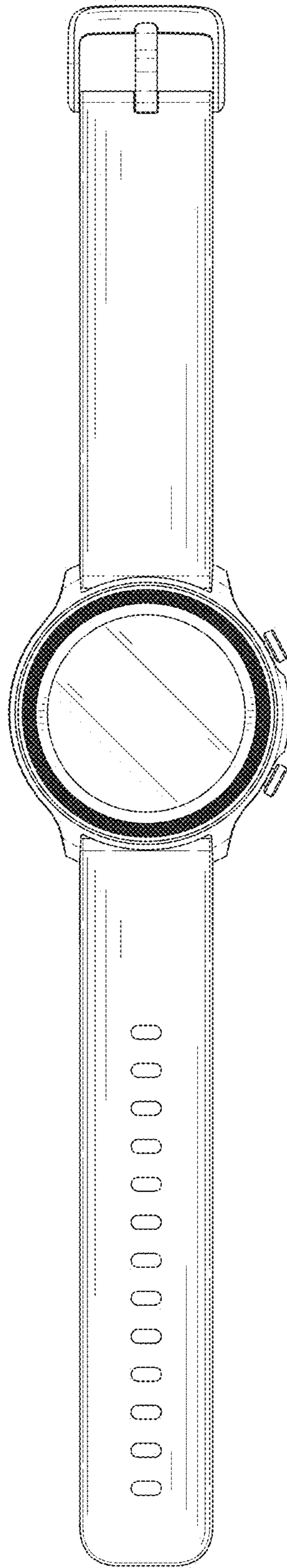


FIG. 3

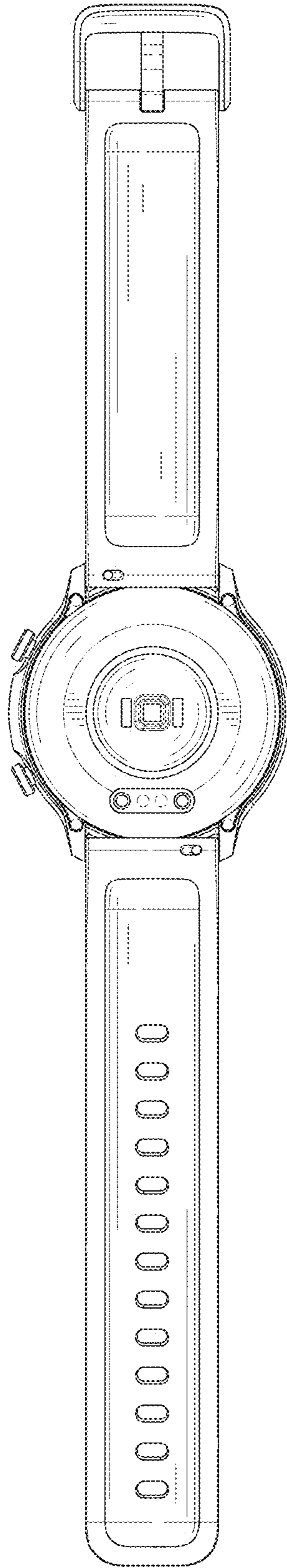


FIG. 4

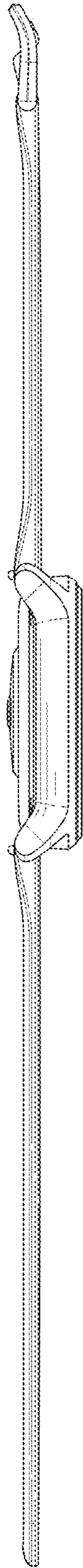


FIG. 5

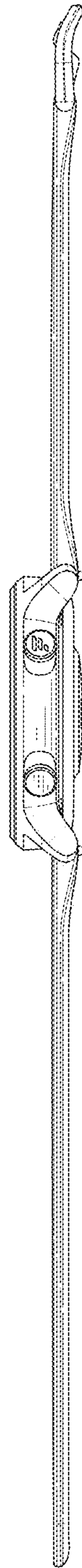


FIG. 6

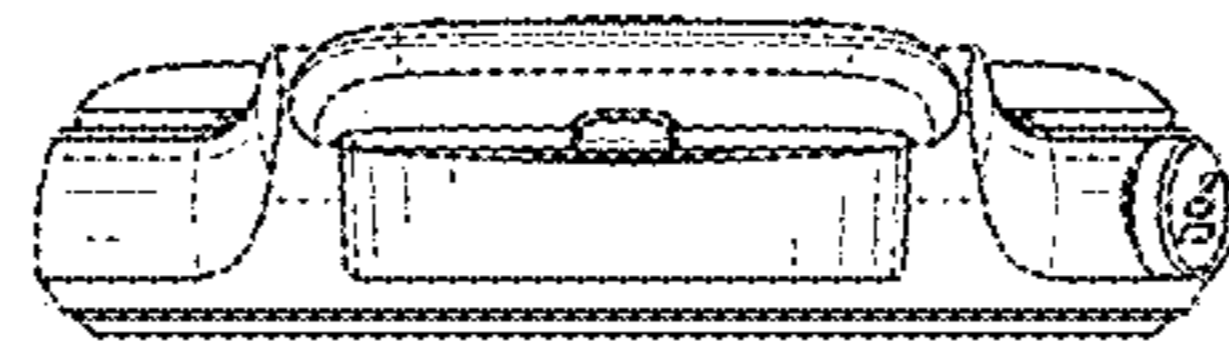


FIG. 7

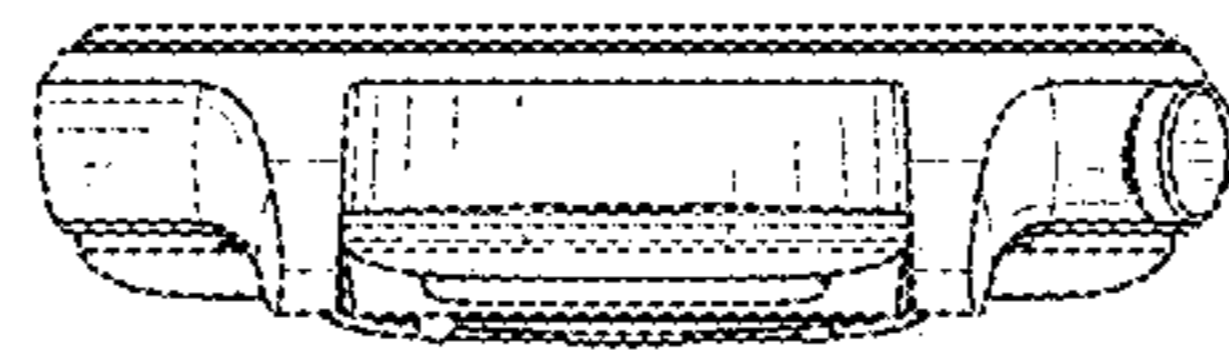


FIG. 8

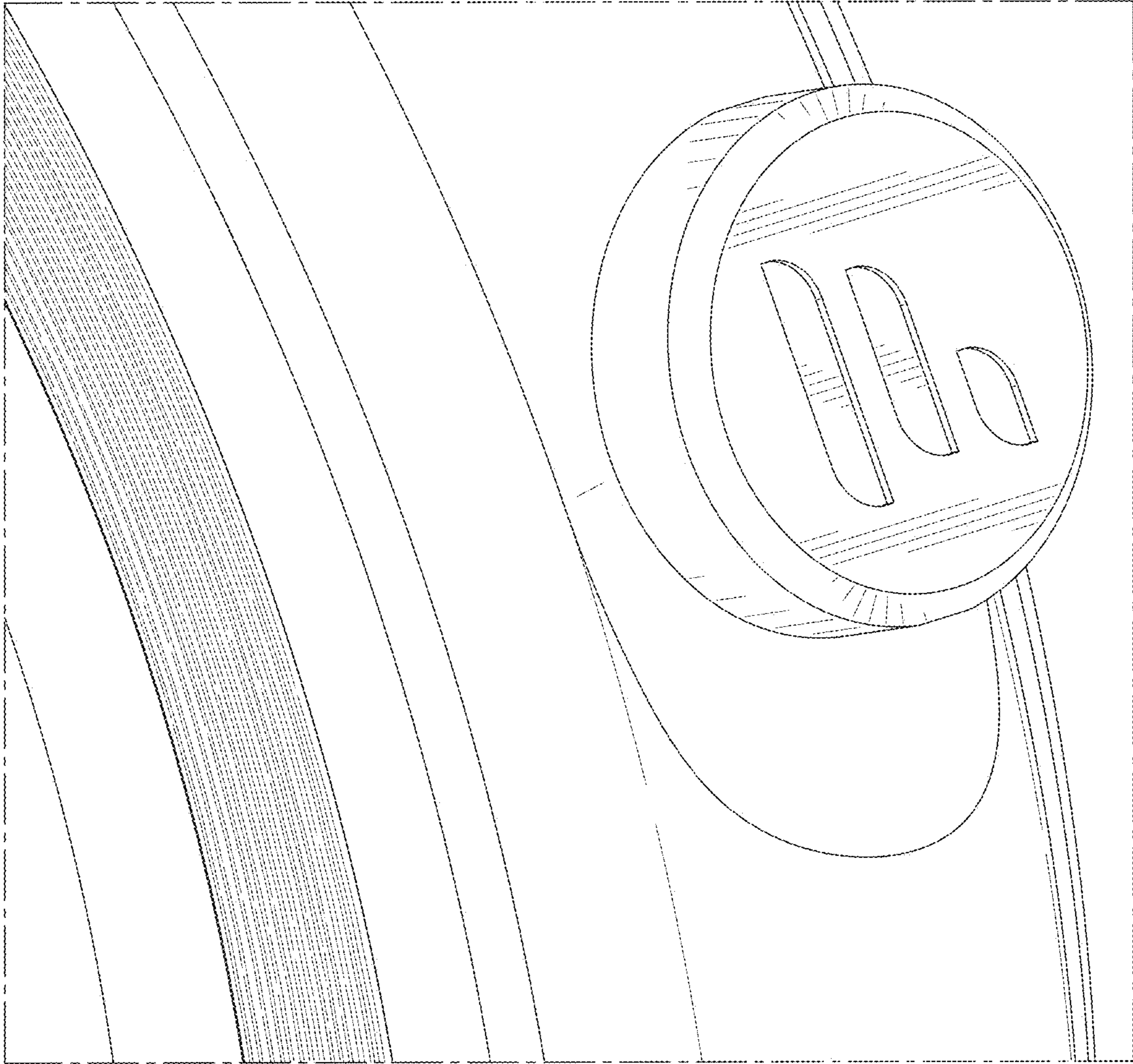


FIG. 9

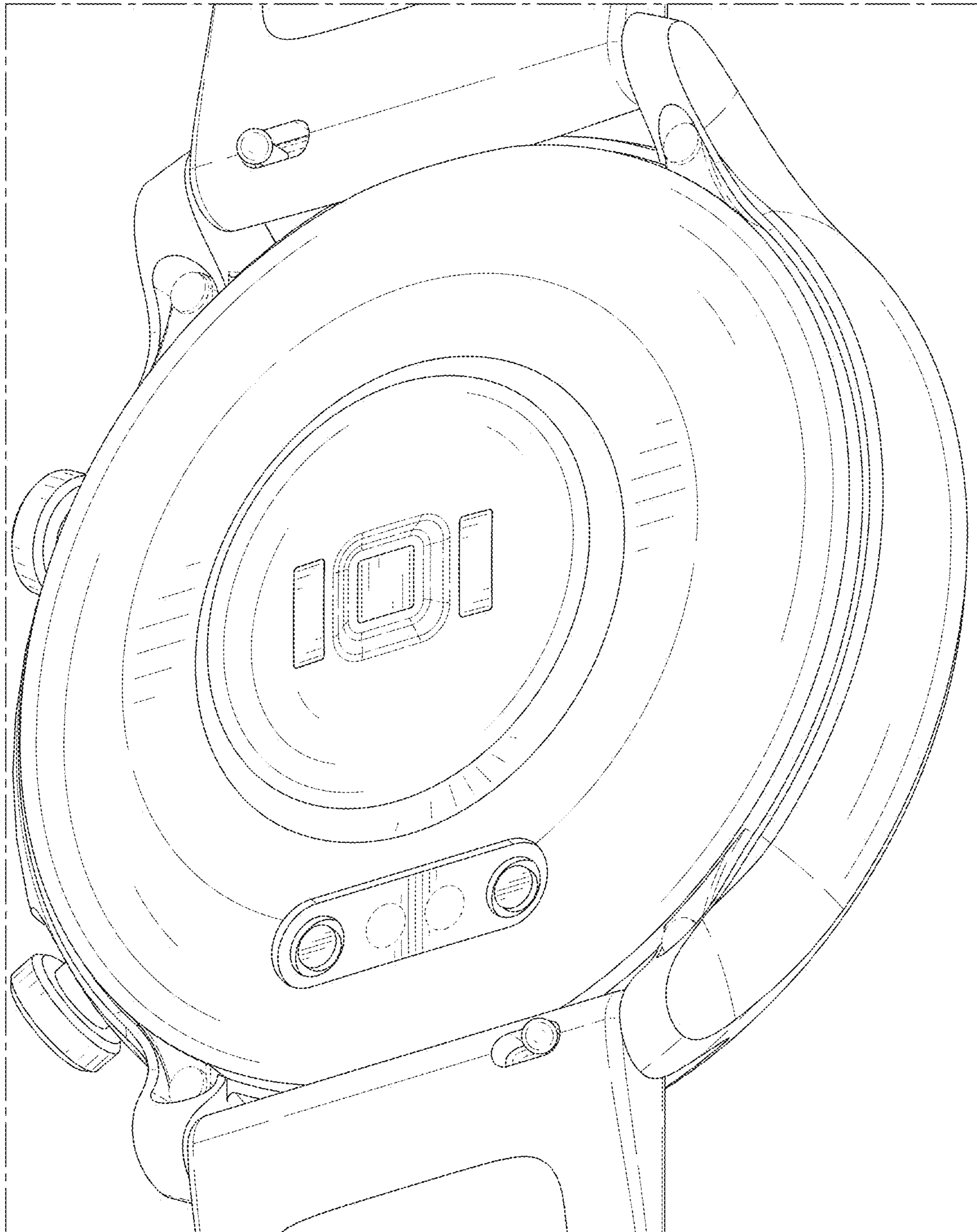


FIG. 10