



US00D985554S

(12) **United States Design Patent**
Park et al.

(10) **Patent No.:** **US D985,554 S**

(45) **Date of Patent:** **** May 9, 2023**

(54) **WEARABLE DEVICE**

(71) Applicant: **Google LLC**, Mountain View, CA (US)

(72) Inventors: **Junyong Park**, San Francisco, CA (US); **Benjamin Patrick Robert Jean Riot**, Alamo, CA (US); **Irina Igorevna Kozlovskaya**, San Francisco, CA (US); **Eric John Fairbanks**, Lafayette, CA (US); **Brian Dennis Paschke**, San Francisco, CA (US); **Cedric Eric Jean-Edouard Bernard**, San Francisco, CA (US); **Jonah Avram Becker**, San Francisco, CA (US); **Gregoire Ludovic Vincent Vandebussche**, San Francisco, CA (US)

(73) Assignee: **GOOGLE LLC**, Mountain View, CA (US)

(**) Term: **15 Years**

(21) Appl. No.: **29/797,847**

(22) Filed: **Jul. 2, 2021**

(51) **LOC (14) Cl.** **10-02**

(52) **U.S. Cl.**
USPC **D10/38**

(58) **Field of Classification Search**
USPC D24/167, 186; D14/138 R, 203.5, 203.6, D14/203.7, 341, 344; D11/3; D10/30-39, 70, 78, 97, 98
CPC A44C 5/00-5/16; G04B 37/00-37/228; G04B 45/0069; G04B 47/04; G04B 19/00-19/34; G04B 21/12; G04B 23/12; G04B 47/00; G04B 47/068; G04B 47/065; G04B 47/066; G01C 17/00; G01C 21/00; G01C 21/3697; G01C 22/00; G01C 22/025; G01C 23/005; G01C 21/16; G06F 19/3481; G06F 3/00; G06F 3/027; G06F 1/163; G01P 1/00; G01P 1/26; G01P 15/00; G01P 15/18; A63B 24/00; A63B 2024/0096; A63B 2213/00; A63B 69/0028; A63B

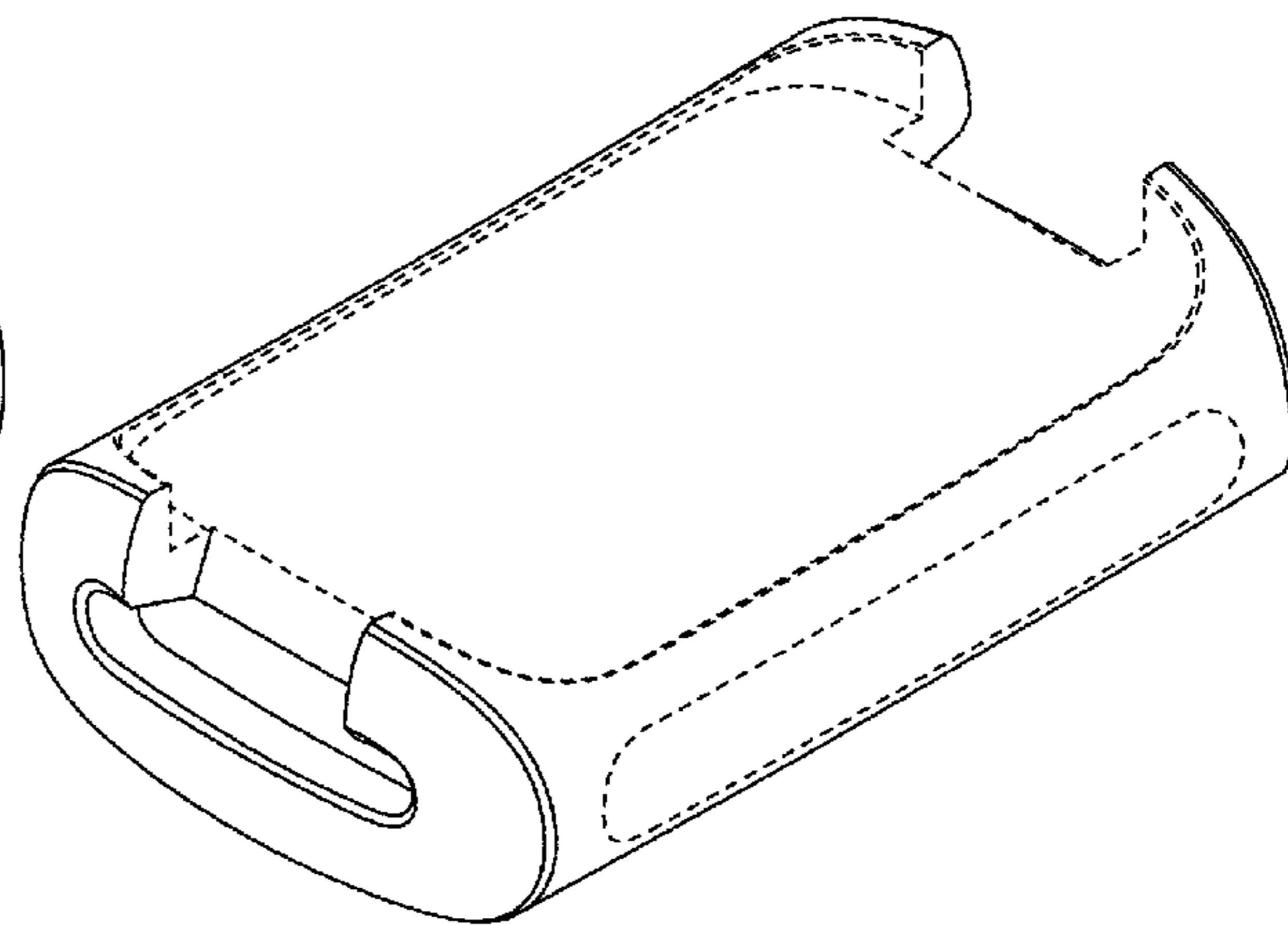
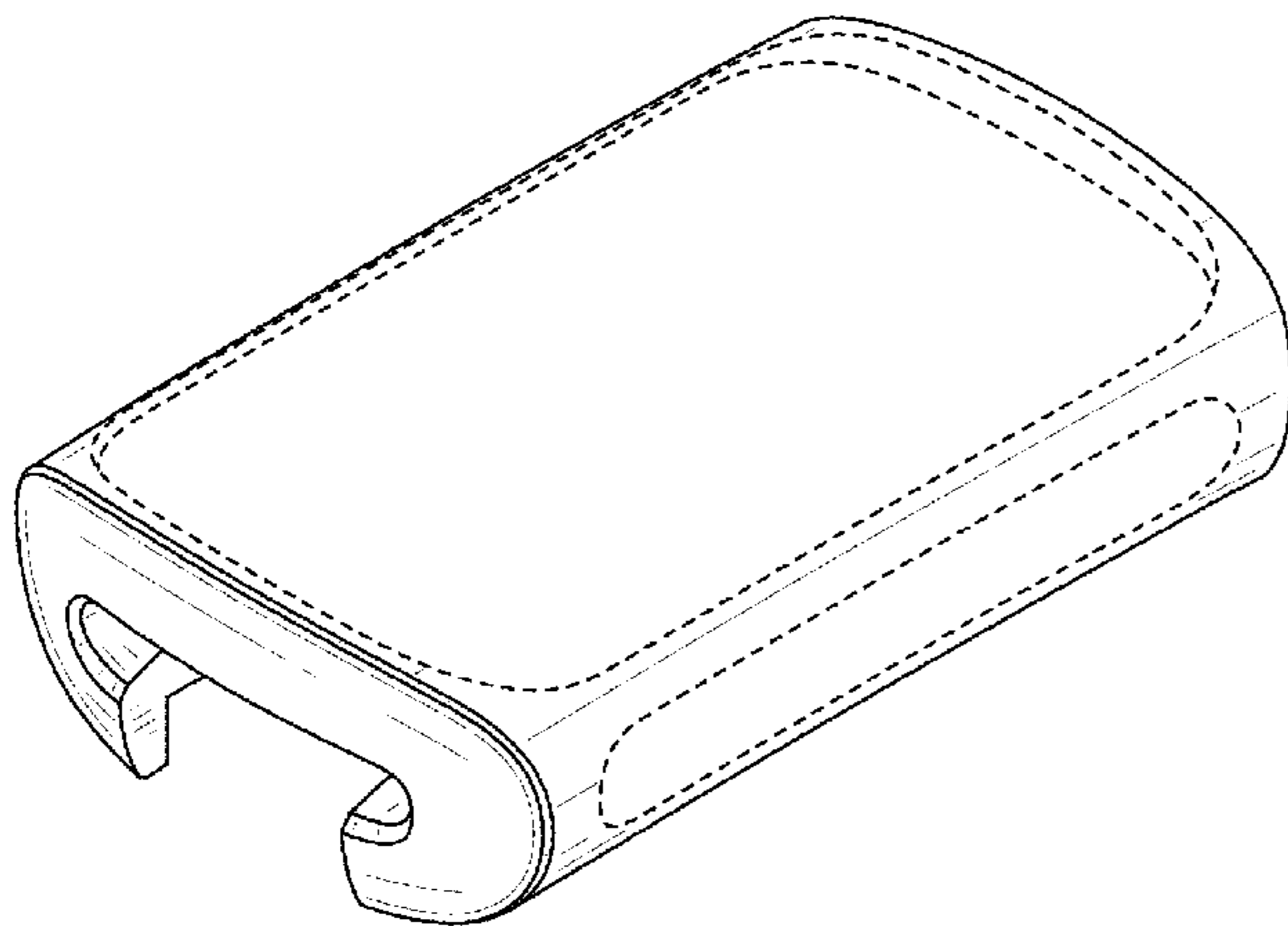
2071/0658; A63B 2071/0666; A63B 2220/00; A63B 2220/89; A63B 2225/02; A63C 11/02; A61B 5/0537; A61B 5/4875; A61B 5/6831; A61B 5/4869; A61B 5/0858; A61B 5/1075; A61B 5/107; A61B 5/4878; A61B 5/4881; A61B 5/61; A61B 5/6898; G04R 20/02; G04C 10/00; G04C 10/02; G08B 21/0269; G08B 21/0272; G08B 21/0286; G08B 21/0288; G08B 21/0291; G08B 21/04; G08B 21/2454; G01S 19/00; G01S 19/55; G04G 9/0064; G04G 9/005

See application file for complete search history.

(56) **References Cited**

U.S. PATENT DOCUMENTS

8,296,983 B2	10/2012	Padgett et al.	
8,370,549 B2	2/2013	Burton et al.	
D720,249 S	12/2014	Park et al.	
D720,635 S	1/2015	Park et al.	
D724,453 S	3/2015	Ogihara et al.	
D726,052 S *	4/2015	Henning	D10/70
D727,183 S	4/2015	Park et al.	
D729,646 S	5/2015	Philips et al.	
D729,648 S	5/2015	Philips et al.	
D729,649 S	5/2015	Philips et al.	
D731,898 S *	6/2015	Squires	D14/344
D744,869 S	12/2015	Dallmeyer et al.	
D745,513 S	12/2015	Jung et al.	
D745,514 S	12/2015	Jung et al.	
D747,714 S	1/2016	Erbeus	
D749,002 S	2/2016	Park et al.	
D751,069 S	3/2016	Choi et al.	
D751,549 S	3/2016	Park et al.	
D759,516 S	6/2016	Ling et al.	
D790,374 S	6/2017	Lean et al.	
D795,719 S *	8/2017	Lean	D10/70
D796,363 S *	9/2017	Ross	D10/70
D800,596 S	10/2017	Ling et al.	
D803,709 S *	11/2017	Le Bihan	D10/70
D806,880 S *	1/2018	Henning	D14/344
D808,962 S	1/2018	Wu	
D813,229 S *	3/2018	Ling	D14/344
D814,643 S	4/2018	Mockler et al.	
D816,668 S	5/2018	Wu	
D826,763 S	8/2018	Chuang	
D827,838 S	9/2018	Lillquist et al.	
D831,643 S	10/2018	Son et al.	



US D985,554 S

D835,533 S	*	12/2018	Zheng	D10/70		D960,150 S	*	8/2022	Matsumoto	D14/344
D839,753 S	*	2/2019	Domke	D10/30		D962,229 S	*	8/2022	He	D14/344
D840,042 S		2/2019	Yan			D966,119 S	*	10/2022	Karimi	D10/78
D842,724 S		3/2019	Vandenbussche et al.			D969,128 S	*	11/2022	Shim	D14/348
D845,868 S		4/2019	Hale, Jr.			2014/0073486 A1		3/2014	Ahmed et al.	
D846,747 S		4/2019	Lillquist et al.			2015/0186609 A1		7/2015	Utter II	
D848,875 S		5/2019	Wildner et al.			2016/0062410 A1*		3/2016	Ko	G06F 1/1681
D860,989 S	*	9/2019	Choplin	D14/344						361/679.03
D861,509 S		10/2019	Lee et al.			2016/0066853 A1*		3/2016	Cheng	A61B 5/053
D861,678 S		10/2019	Kern et al.							600/390
D862,462 S		10/2019	Zhang			2016/0374569 A1		12/2016	Breslow et al.	
D863,296 S	*	10/2019	Kern	D14/344		2017/0011210 A1		1/2017	Cheong et al.	
D863,297 S	*	10/2019	Ke	D14/344		2017/0065224 A1		3/2017	Rahko et al.	
D864,956 S		10/2019	Kern et al.			2017/0120107 A1		5/2017	Wisbey	
D865,546 S	*	11/2019	Kellock	D10/70		2019/0361402 A1		11/2019	Markan et al.	
D865,761 S	*	11/2019	Choplin	D14/344		2020/0323316 A1		10/2020	Lui et al.	
D869,461 S	*	12/2019	Ke	D14/344		2021/0015220 A1		1/2021	Xue et al.	
D869,462 S	*	12/2019	Ke	D14/344		2021/0100458 A1		4/2021	Magi	
D878,364 S	*	3/2020	Kern	D14/344		2021/0283627 A1		9/2021	Lopez et al.	
D878,365 S	*	3/2020	Choplin	D14/344						
D879,094 S	*	3/2020	Choplin	D14/344						
D880,475 S		4/2020	Kwon							
D886,100 S	*	6/2020	Choplin	D14/344						
D887,405 S	*	6/2020	Kozlovskaya	D14/344						
D895,613 S		9/2020	Kozlovskaya et al.							
D900,808 S	*	11/2020	Vandenbussche	D14/344						
D902,203 S	*	11/2020	Choplin	D14/344						
D902,921 S		11/2020	Riot et al.							
D902,922 S		11/2020	Riot et al.							
D902,923 S		11/2020	Riot et al.							
D903,663 S	*	12/2020	Jones	D14/344						
D903,664 S	*	12/2020	Riot	D14/344						
D905,581 S		12/2020	Wada et al.							
D910,011 S		2/2021	Vandenbussche et al.							
D910,012 S	*	2/2021	Vandenbussche	D14/344						
D910,617 S		2/2021	Vandenbussche et al.							
D910,618 S		2/2021	Kozlovskaya et al.							
10,945,496 B2		3/2021	Perkins et al.							
D916,080 S		4/2021	Arshad							
D917,467 S		4/2021	Akana et al.							
D917,470 S		4/2021	Akana et al.							
D917,471 S		4/2021	Yan et al.							
D917,704 S	*	4/2021	Al-Ali	D24/186						
10,987,054 B2		4/2021	Pandya et al.							
D918,197 S		5/2021	Zheng							
D918,899 S		5/2021	Zhu							
D920,327 S		5/2021	Wu							
D920,328 S		5/2021	Wu							
D922,376 S		6/2021	Zheng							
D922,377 S		6/2021	Kozlovskaya et al.							
D922,378 S		6/2021	Lin							
D922,883 S	*	6/2021	Tabbah	D10/32						
D923,003 S		6/2021	Lin							
D923,621 S		6/2021	Akana et al.							
D923,622 S		6/2021	Akana et al.							
D924,231 S		7/2021	Zhang							
D926,753 S		8/2021	Wu							
D926,756 S		8/2021	Yi et al.							
D927,484 S		8/2021	Wu							
D927,999 S	*	8/2021	Paschke	D10/70						
D928,000 S	*	8/2021	Bernard	D10/70						
D928,148 S		8/2021	Wu							
D928,781 S		8/2021	Kozlovskaya et al.							
D929,879 S	*	9/2021	Paschke	D10/70						
D929,989 S		9/2021	Han							
D931,583 S		9/2021	Hannah							
D931,852 S		9/2021	Zheng							
D931,853 S	*	9/2021	Xu	D14/344						
D933,066 S		10/2021	Li et al.							
D933,496 S		10/2021	Liu							
D933,497 S		10/2021	Selvam et al.							
D933,651 S	*	10/2021	Cheng	D14/344						
D947,179 S	*	3/2022	Yin	D14/344						
D947,183 S	*	3/2022	Wu	D14/344						
D952,862 S	*	5/2022	Yamamoto	D24/186						
D954,702 S	*	6/2022	Park	D14/344						
D958,139 S	*	7/2022	Cheng	D14/344						
D958,784 S	*	7/2022	Cohen	D14/344						
D958,785 S	*	7/2022	Jun	D14/363						

FOREIGN PATENT DOCUMENTS

CN	203930353 U	11/2014
CN	303317625 S	8/2015
CN	303814660 S	8/2016
CN	205697726 U	11/2016
CN	304191013 S	6/2017
CN	304191025 S	6/2017
CN	30425914 S	8/2017
CN	206920835 U	1/2018
CN	2068667660 U	1/2018
CN	207341307 U	5/2018
CN	305059475 S	3/2019
CN	305146927 S	5/2019
CN	305301071 S	8/2019
CN	305306153 S	8/2019
CN	305580104 S	1/2020
CN	305630438 S	2/2020
CN	305919174 S	7/2020
CN	306077480	9/2020
CN	211628024 U	10/2020
CN	306215709 S	12/2020
CN	306277870 S	1/2021
CN	306288742 S	1/2021
EM	004527299-0001	11/2017
EM	005518487-0005	7/2018
EM	005518487-0006	7/2018
EM	005518487-0010	7/2018
EM	005518487-0012	7/2018
EM	005838075-0001	11/2018
EM	006428686-0009	5/2019
EM	006428686-0014	5/2019
EM	006585006-0004	6/2019
EM	006585006-0011	6/2019
EM	006860904-0001	9/2019
EM	007701 685-0001	2/2020
EM	007770482-0002	3/2020
EM	007770482-0003	3/2020
EM	007770482-0004	3/2020
EM	007770482-0005	3/2020
EM	007770482-0006	3/2020
EM	007770482-0007	3/2020
EM	007770482-0008	3/2020
EM	007770482-0009	3/2020
EM	007770482-0020	3/2020
EM	007788658-0002	4/2020
EM	007828199-0001	4/2020
EM	007842240-0002	4/2020
EM	007842240-0003	4/2020
GB	6085909	3/2020
GB	6085910	3/2020
GB	6085921	3/2020
GB	6085928	3/2020
GB	6085929	3/2020
GB	6085930	3/2020
GB	6085931	3/2020
GB	6085932	3/2020
GB	6085933	3/2020
GB	6085934	3/2020

GB	6085935	3/2020
GB	6085936	3/2020
IN	320486-001-0001	8/2019
KR	101805257 B1	2/2017
KR	30-1024782	9/2019
WO	DM/210075	7/2020
WO	DM214384	3/2021
WO	DM/214397	3/2021

OTHER PUBLICATIONS

Fitbit Inspire 2 Health & Fitness Tracker, www.amazon.co.uk, Aug. 26, 2020. <https://www.amazon.co.uk/Fitbit-Inspire-Fitness-Tracker-Premium/dp/B08DFGPTSK> (Year: 2020).*

Fitbit Charge 5 Advanced Fitness & Health Tracker with Built-in GPS, www.amazon.com, Aug. 26, 2021. <https://www.amazon.com/Fitbit-Advanced-Management-Tracking-Included/dp/B09BXDZ9BD?th=1> (Year: 2021).*

Fitbit Luxe Health & Fitness Tracker, www.amazon.co.uk, Apr. 20, 2021. <https://www.amazon.co.uk/Fitbit-Fitness-Membership-Included-Management/dp/B08ZF5X2PL> (Year: 2021).*

CHEREKI Fitness Watch, www.amazon.co.uk, Mar. 9, 2021. <https://www.amazon.co.uk/CHEREKI-Activity-Trackers-Waterproof-Pedometer/dp/B08YJZ3ZGN> (Year: 2021).*

U.S. Appl. No. 29/706,974, filed Sep. 25, 2019.

U.S. Appl. No. 29/729,039, filed Mar. 24, 2020.

U.S. Appl. No. 29/721,845, filed Jan. 23, 2020, applicant Fitbit, Inc.

U.S. Appl. No. 29/721,870, filed Jan. 23, 2020, applicant Fitbit, Inc.

U.S. Appl. No. 29/722,312, filed Jan. 28, 2020, applicant Fitbit, Inc.

U.S. Appl. No. 29/722,314, filed Jan. 28, 2020, applicant Fitbit, Inc.

U.S. Appl. No. 29/729,177, filed Mar. 24, 2020, applicant Fitbit, Inc.

U.S. Appl. No. 29/656,638, filed Jul. 13, 2018, applicant Fitbit, Inc.

U.S. Appl. No. 29/732,494, filed Apr. 24, 2020, applicant Fitbit, Inc.

U.S. Appl. No. 29/732,495, filed Apr. 24, 2020, applicant Fitbit, Inc.

U.S. Appl. No. 29/732,496, filed Apr. 24, 2020, applicant Fitbit, Inc.

U.S. Appl. No. 29/669,190, filed Nov. 6, 2018, applicant Fitbit, Inc.

U.S. Appl. No. 29/688,946, filed Apr. 25, 2019, applicant Fitbit, Inc.

U.S. Appl. No. 29/702,946, filed Aug. 22, 2019, applicant Fitbit, Inc.

U.S. Appl. No. 29/702,397, filed Aug. 19, 2019, applicant Fitbit, Inc.

Abandoned U.S. Appl. No. 29/705,182, filed Sep. 10, 2019, applicant Fitbit, Inc.

U.S. Appl. No. 29/728,976, filed Mar. 23, 2020, applicant Fitbit, Inc. New Fitbit Versa on the way with built-in Amazon Alexa? Source: androidauthority.com (<https://www.androidauthority.com/fitbit-versa-2-amazon-alex-1014860/>) Website accessed Mar. 30, 2020.

Connect By Timex Active Smartwatch with Heart Rate, Notifications and Activity Tracking, available at Amazon.com <https://www.amazon.com/iConnect-Timex-TW5M34400-Active-Smartwatch/dp/B07XZRQBGV>). Website accessed Mar. 30, 2020.

Alfawise H19 RFID Sports Smartwatch Fitness Tracker—Black, available at gearbest.com (https://www.gearbest.com/smart-watches/pp_009207049039.html?wid=1433363). Website accessed Mar. 30, 2020.

Ergofinity™ Bluetooth Smart Watch available at ergofinity.com (<https://ergofinity.com/products/bluetooth-smart-watch-ios-android>). Website accessed Mar. 30, 2020.

Amazfit BIP Lite 3ATM Smart Watch (Blue) available at amazon.in (https://www.amazon.in/Amazfit-Lite-3ATM-Smart-Watch/dp/B07WQWDYJ7/ref=asc_df_B07WQWDYJ7tag=googleshopdes-21&linkCode=dfO&hvadid=397082878775&hvpos=&hvnetw=g&hvrand=13400080515884943460&hvpone=&hvptwo=&hvqmt=&hvdev=c&hvdvcmdl=&hvlocint=&hvlocphy=1007765&hvtargid=pla-819594895182&psc=1&ext_vmc=hi). Website accessed Mar. 30, 2020.

Samsung's 6th smartwatch has a 3G modem and a massive curved display, posted Aug. 28, 2014, [retrieved Jun. 5, 2019]. Retrieved from Internet, <URL:<https://arstechnica.com/gadgets/2014/08/samsungs-6th-smartwatch-has-a-3g-modem-and-a-massive-curved-display/>>.

Samsung Introduces Three New Wearables for Balanced and Connected Living, Samsung Newsroom, posted Feb. 20, 2019, accessed Feb. 25, 2019. <URL: <https://news.samsung.com/us/samsung-wearabl e-galaxy-watch-active-galaxy-fit-galaxy-buds-unpacked-2019/>>.

Seifert, "Making Time: how Pebble built its next smartwatch," downloaded from: <http://www.theverge.com/2015/2124/8091175/pebble-time-watchwearable-platform-eric-migicovsky-interview>, The Verge, Feb. 24, 2015.

Alfawise H19 RFID Sports Smartwatch Fitness Tracker for sale at gearbest.com (https://www.gearbest.com/smart-watches/pp_009207049039.html?wid=1433363). Website accessed Dec. 6, 2019.

Fitbit Versa Smartwatch and Activity Tracker with Classic Band for sale at HSN (<https://www.hsn.com/products/fitbit-versa-smartwatch-and-activity-tracker-with-class/8688605>). Website accessed Dec. 6, 2019.

Fitbit Versa Smartwatch for sale at kohls.com (<https://www.kohls.com/product/prd-3296179/fitbit-versa-smart-fitness-watch-non-nfc.jsp>). Website accessed Dec. 6, 2019.

Basis B1 Walch In-Depth Review, DC Rainmaker (<http://www.dcrainmaker.com/2013/basis-b1-review.html>). Website accessed Feb. 4, 2014.

Review: Fitbit Inspire HR, dated Mar. 12, 2019, source Wired.com (<https://www.wired.com/review/review-fitbit-inspire-hr/>). Website accessed Aug. 31, 2020.

Stolyar, Brenda. "Fitbit Charge 3 Review dated Nov. 19, 2019: Jack of All Trades", source Digital Trends (<https://www.digitaltrends.com/fitness-tracker-reviews/lil-bil-charge-3-review/>). Website accessed Aug. 25, 2020.

U.S. Appl. No. 29/760,763, filed Dec. 3, 2020, applicant Fitbit, Inc.

U.S. Appl. No. 29/729,178, filed Mar. 24, 2020, applicant Fitbit, Inc.

* cited by examiner

Primary Examiner — Llorellys Martinez

Assistant Examiner — Kwabena A. Ankobiah

(74) *Attorney, Agent, or Firm* — Leason Ellis LLP

(57)

CLAIM

The ornamental design for a wearable device, as shown and described.

DESCRIPTION

FIG. 1 is a top perspective view of a first embodiment of a wearable device showing our new design;

FIG. 2 is a bottom perspective view thereof;

FIG. 3 is a left side view thereof;

FIG. 4 is a right side view thereof;

FIG. 5 is a front view thereof;

FIG. 6 is a back view thereof;

FIG. 7 is a top view thereof;

FIG. 8 is a bottom view thereof;

FIG. 9 is a top perspective view of a second embodiment of a wearable device showing our new design;

FIG. 10 is a bottom perspective view thereof;

FIG. 11 is a left side view thereof;

FIG. 12 is a right side view thereof;

FIG. 13 is a front view thereof;

FIG. 14 is a back view thereof;

FIG. 15 is a top view thereof; and,

FIG. 16 is a bottom view thereof.

The broken lines in the drawings depict portions of the wearable device that form no part of the claimed design.

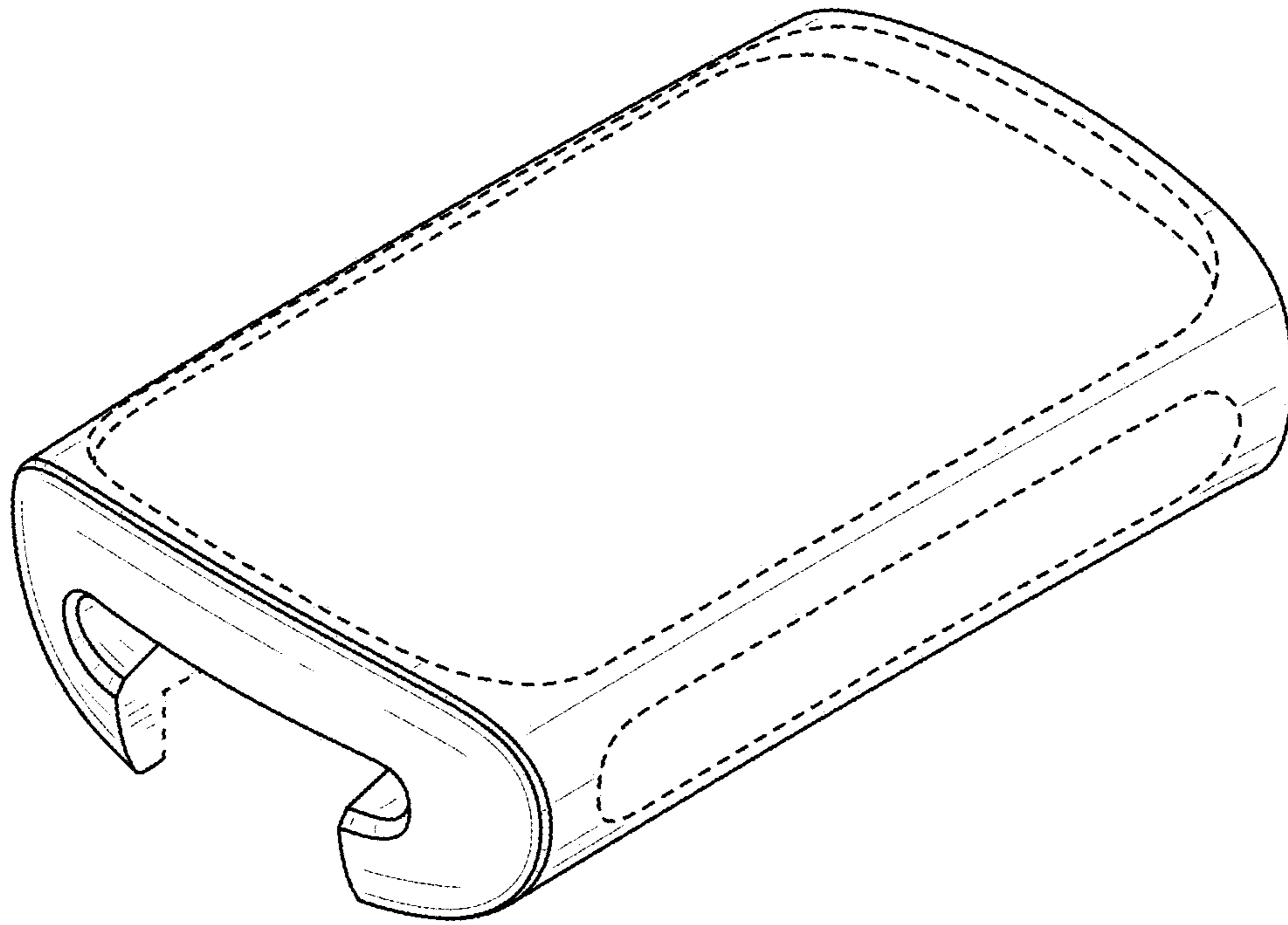


FIG. 1

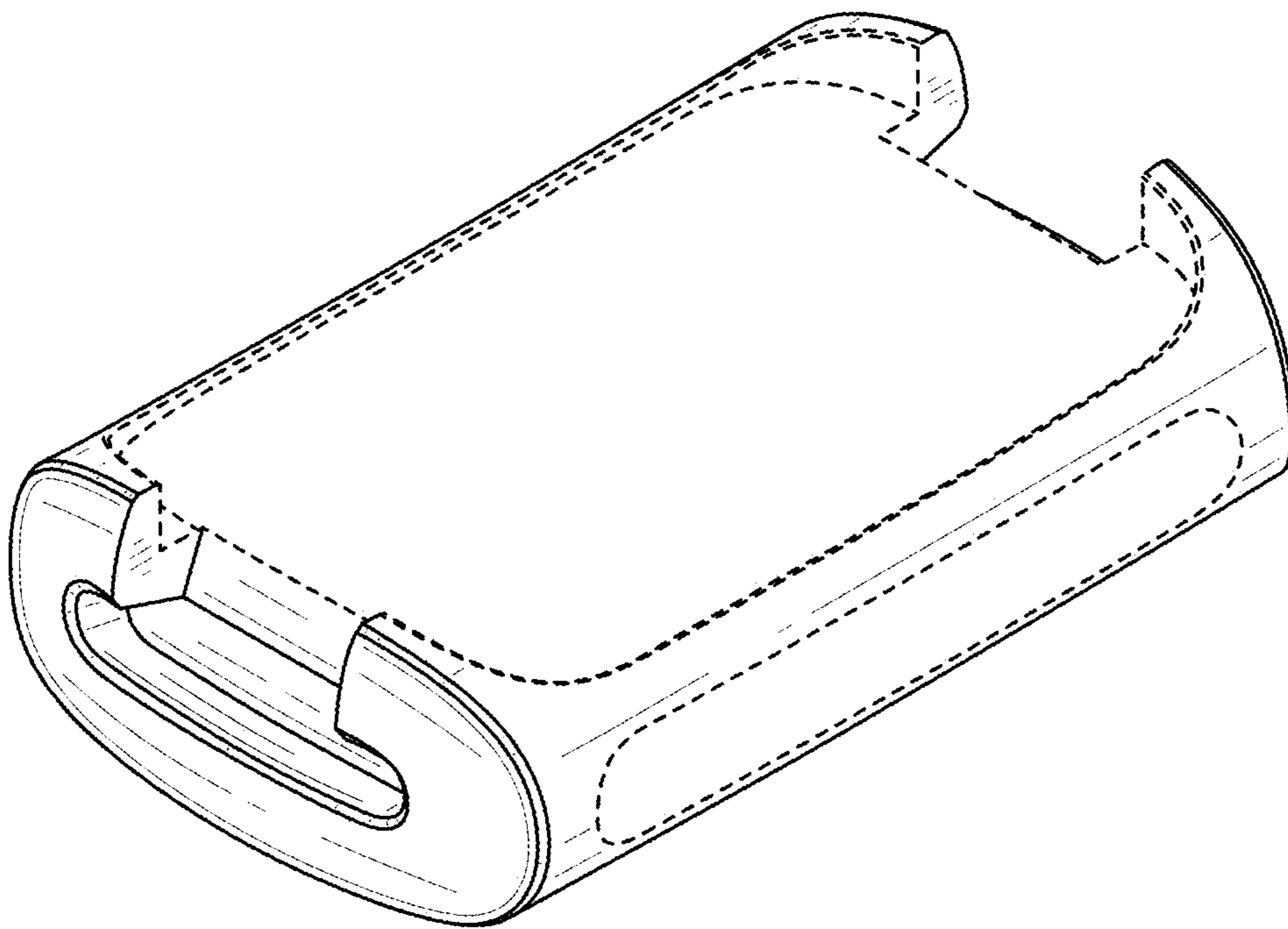


FIG. 2

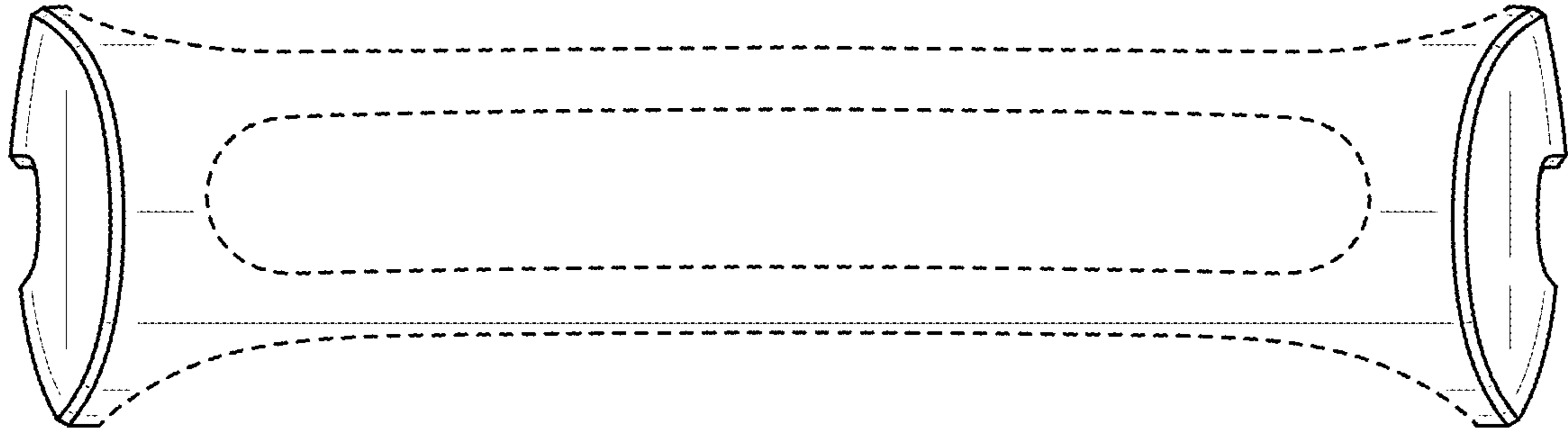


FIG. 3

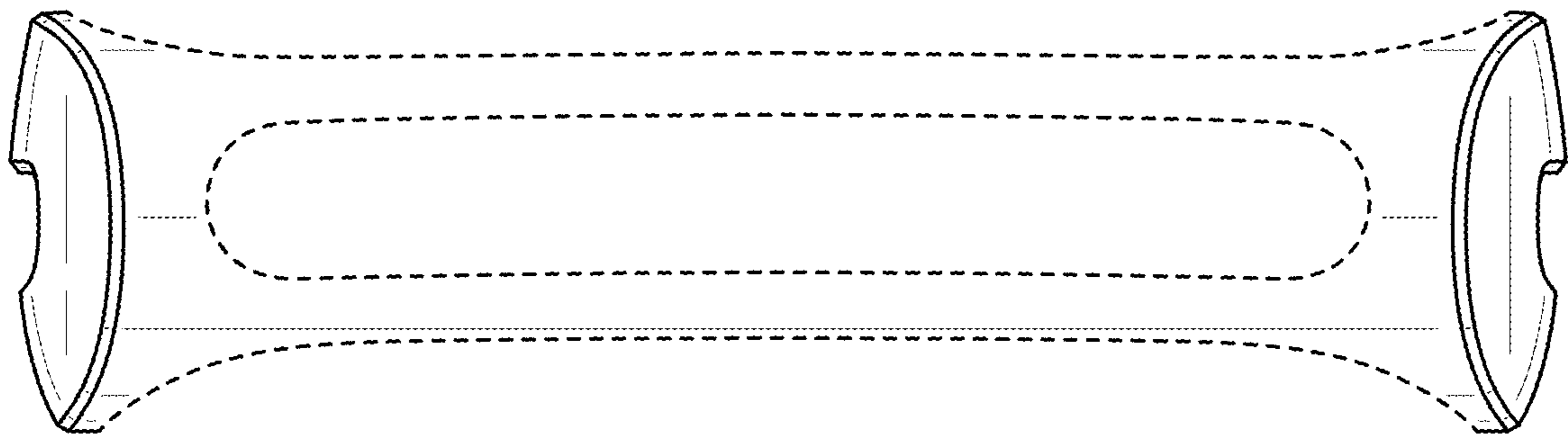


FIG. 4

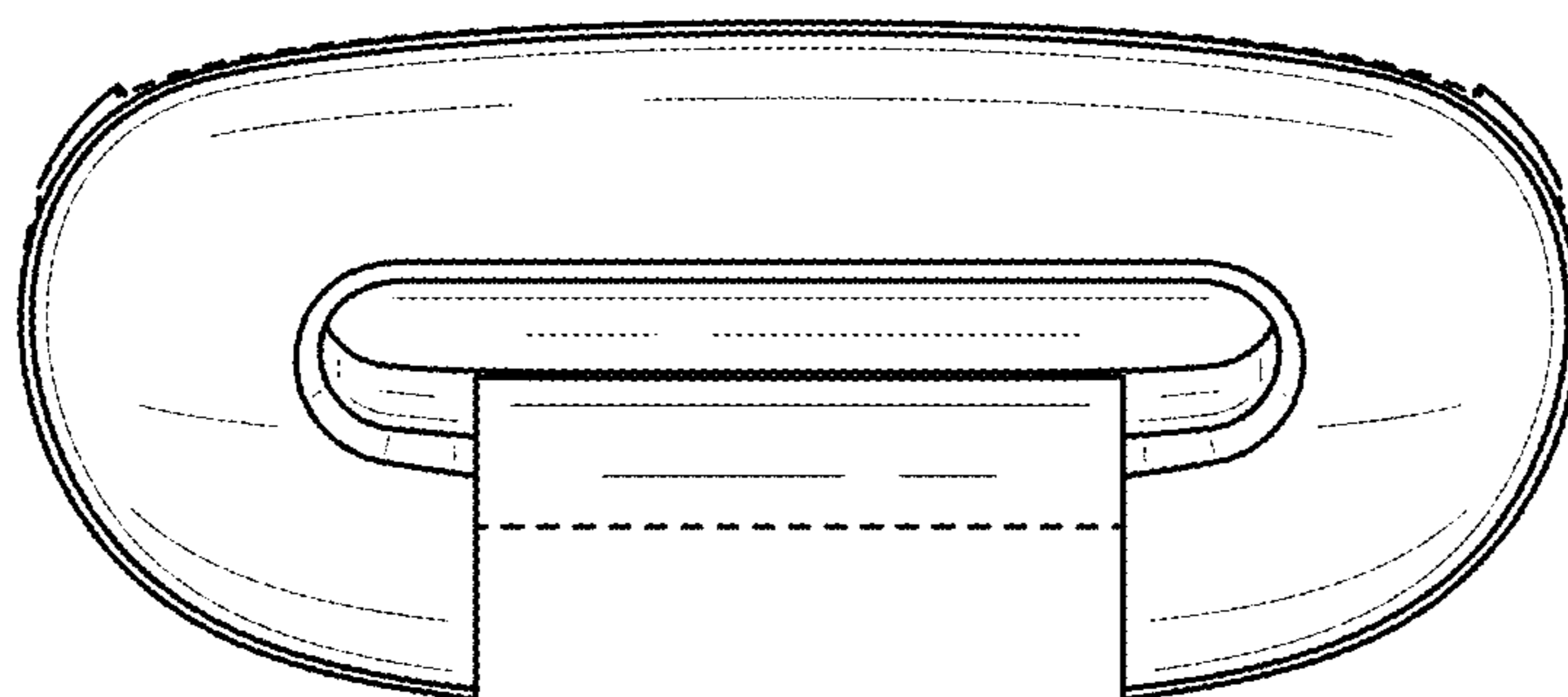


FIG. 5

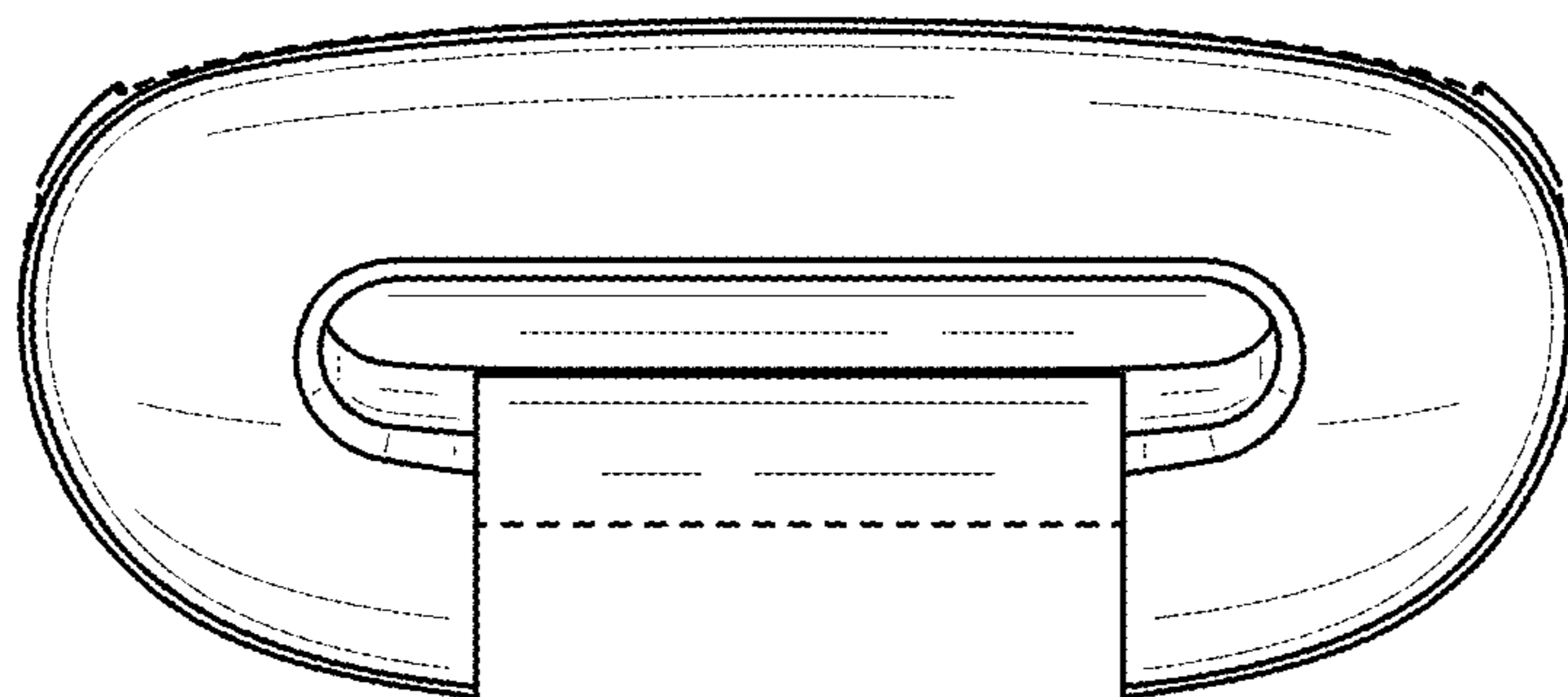


FIG. 6

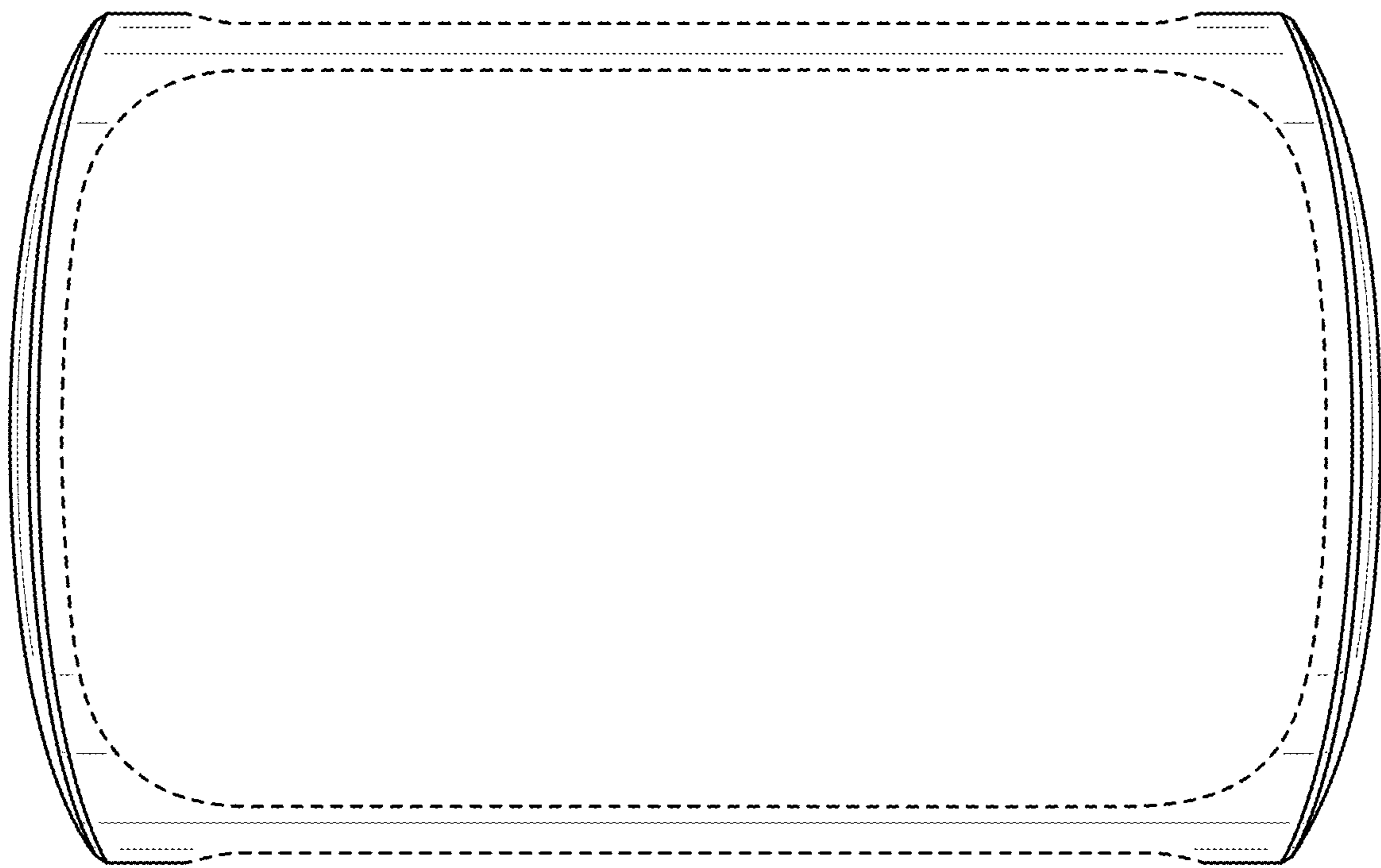


FIG. 7



FIG. 8

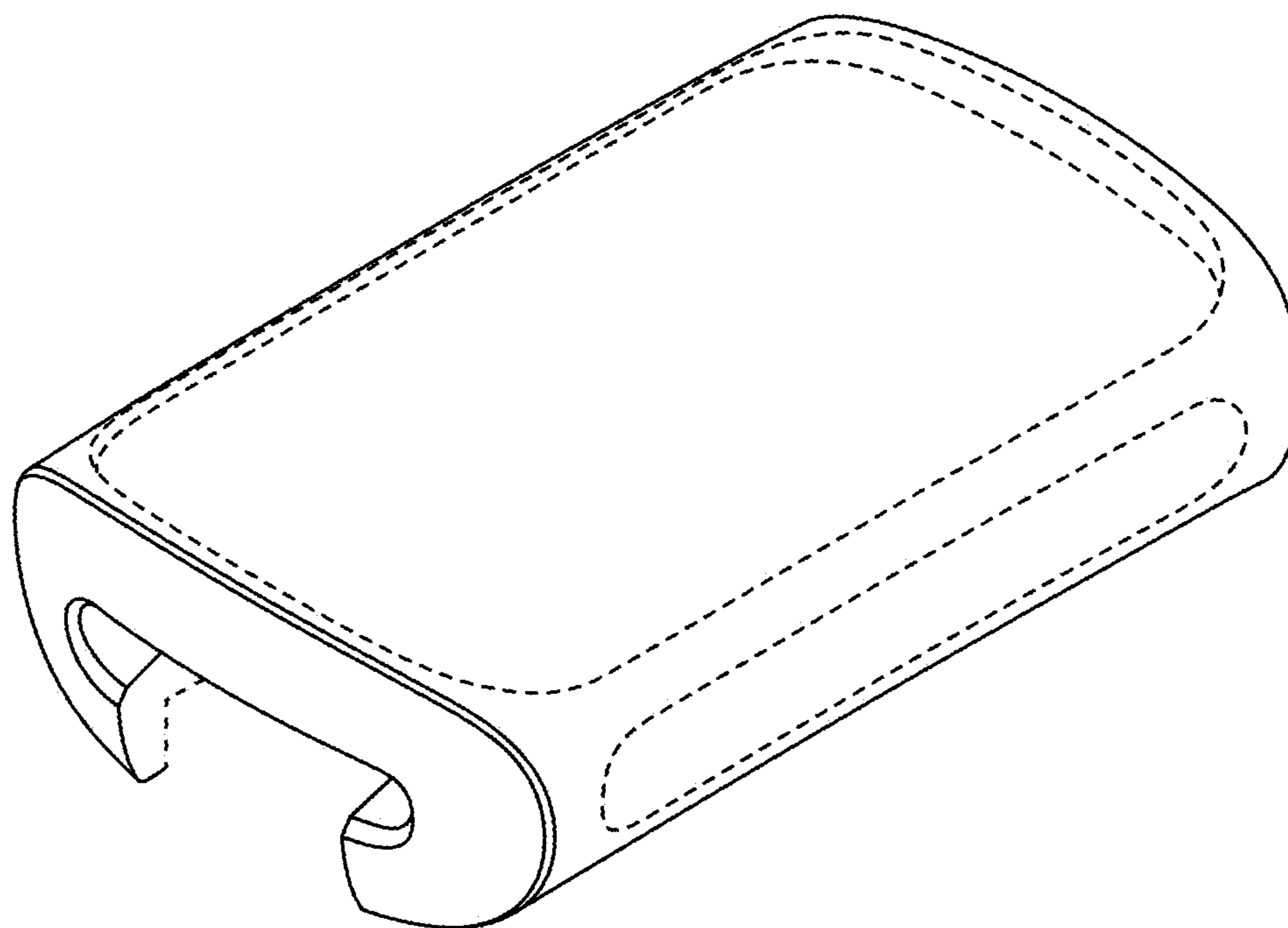


FIG. 9

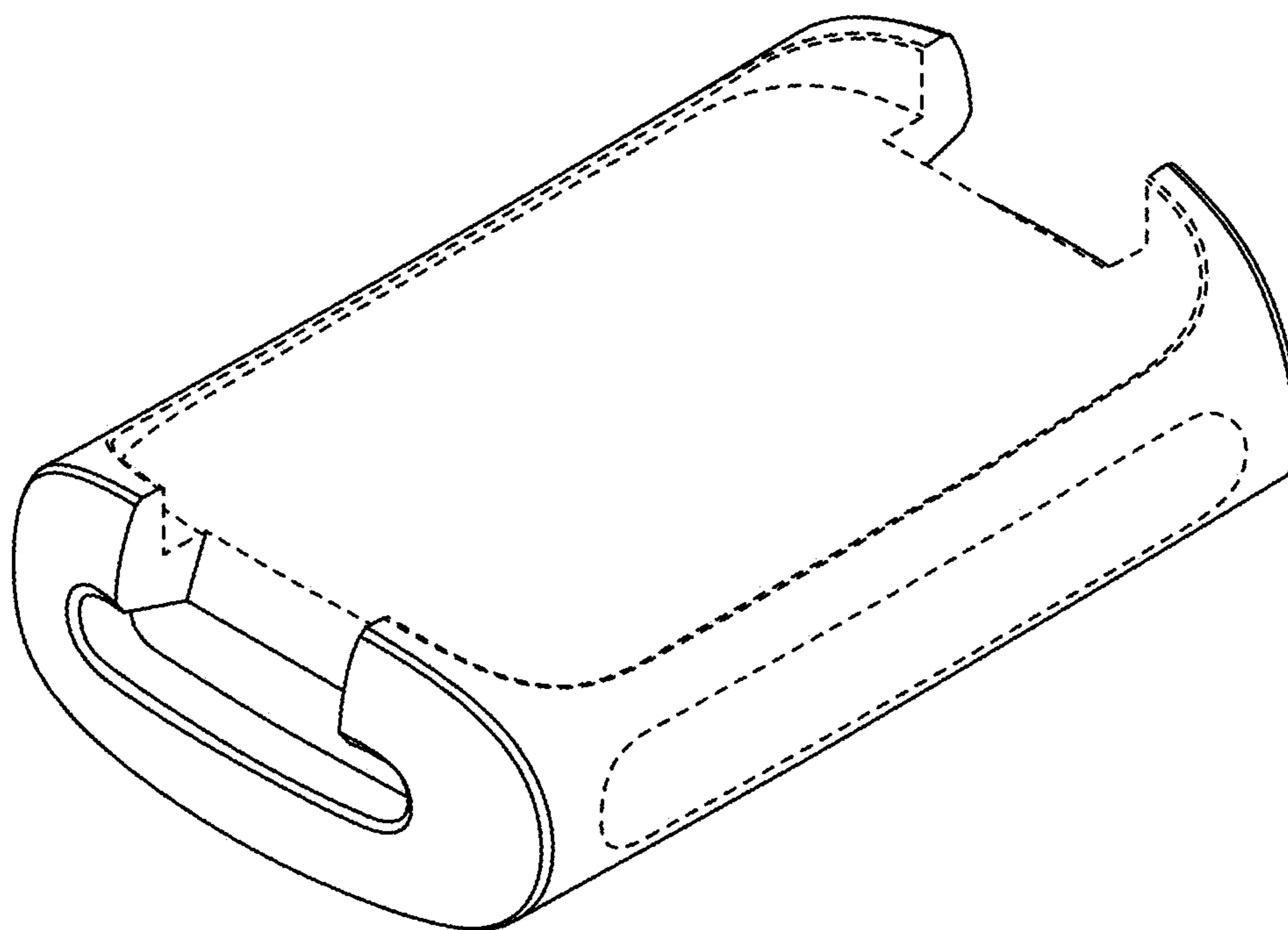


FIG. 10

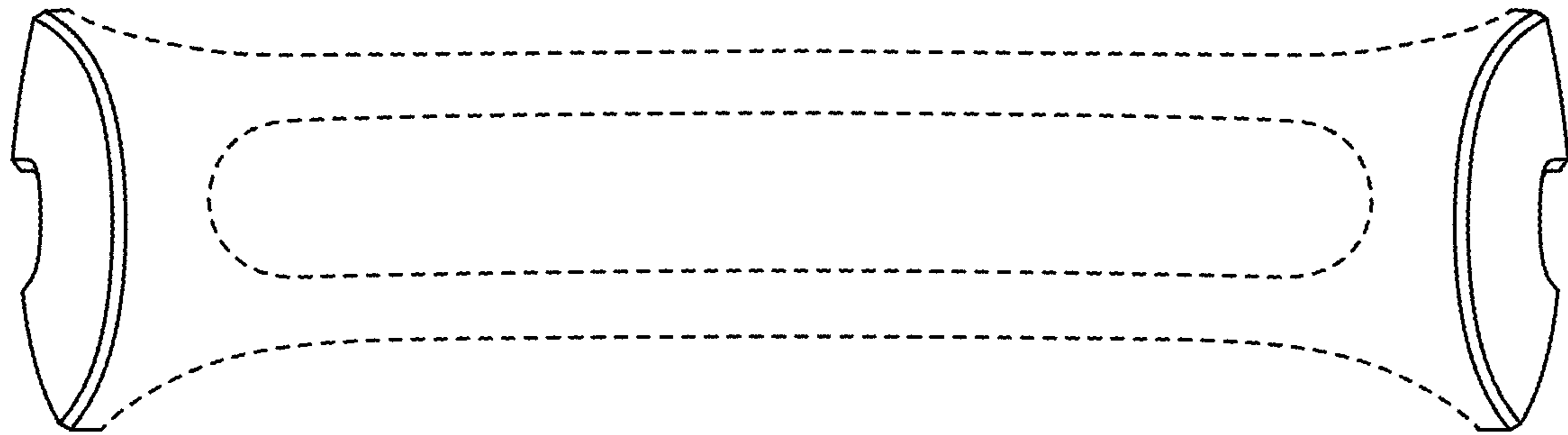


FIG. 11

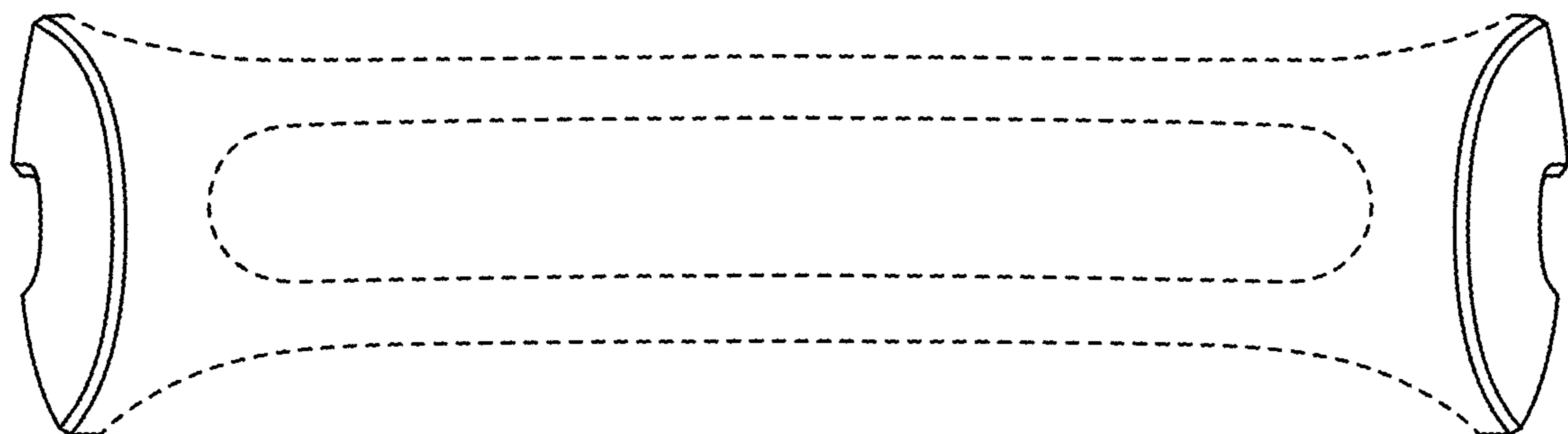


FIG. 12

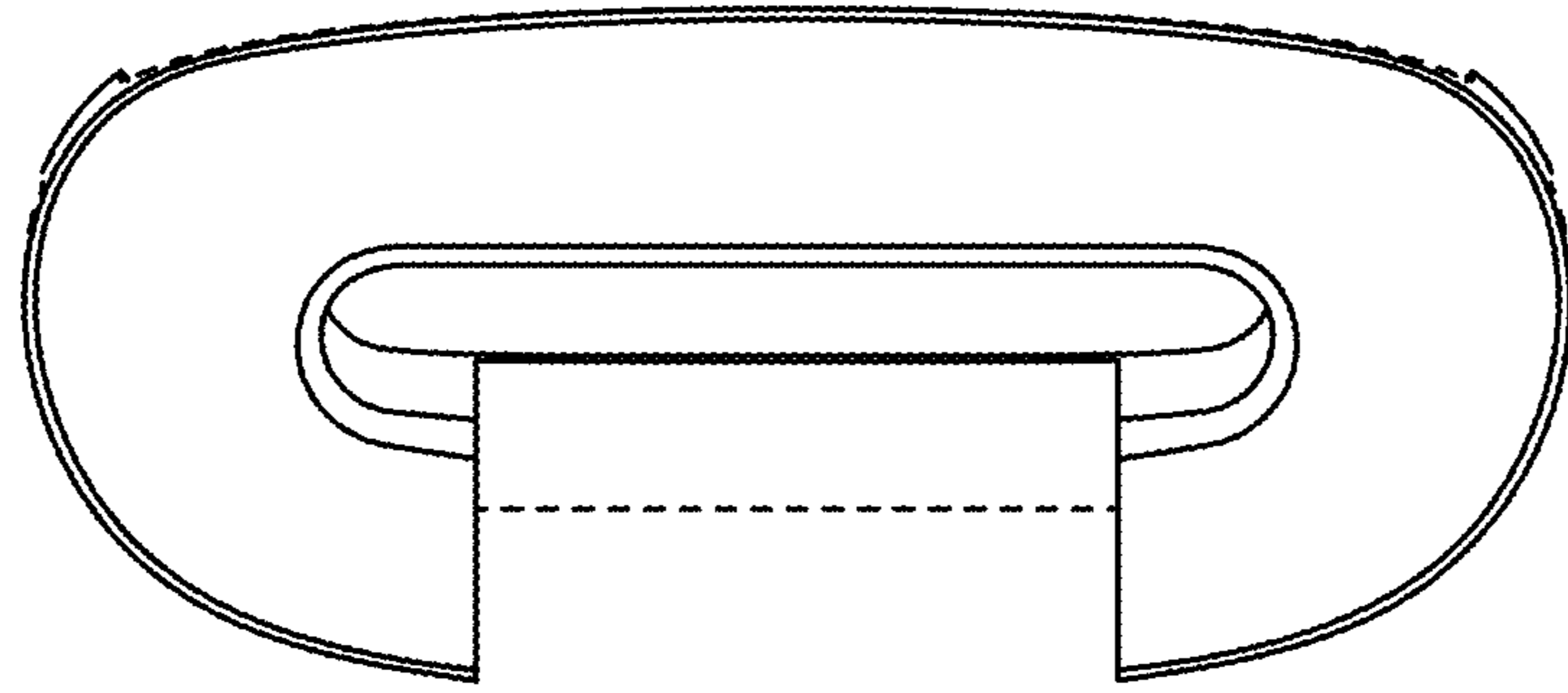


FIG. 13

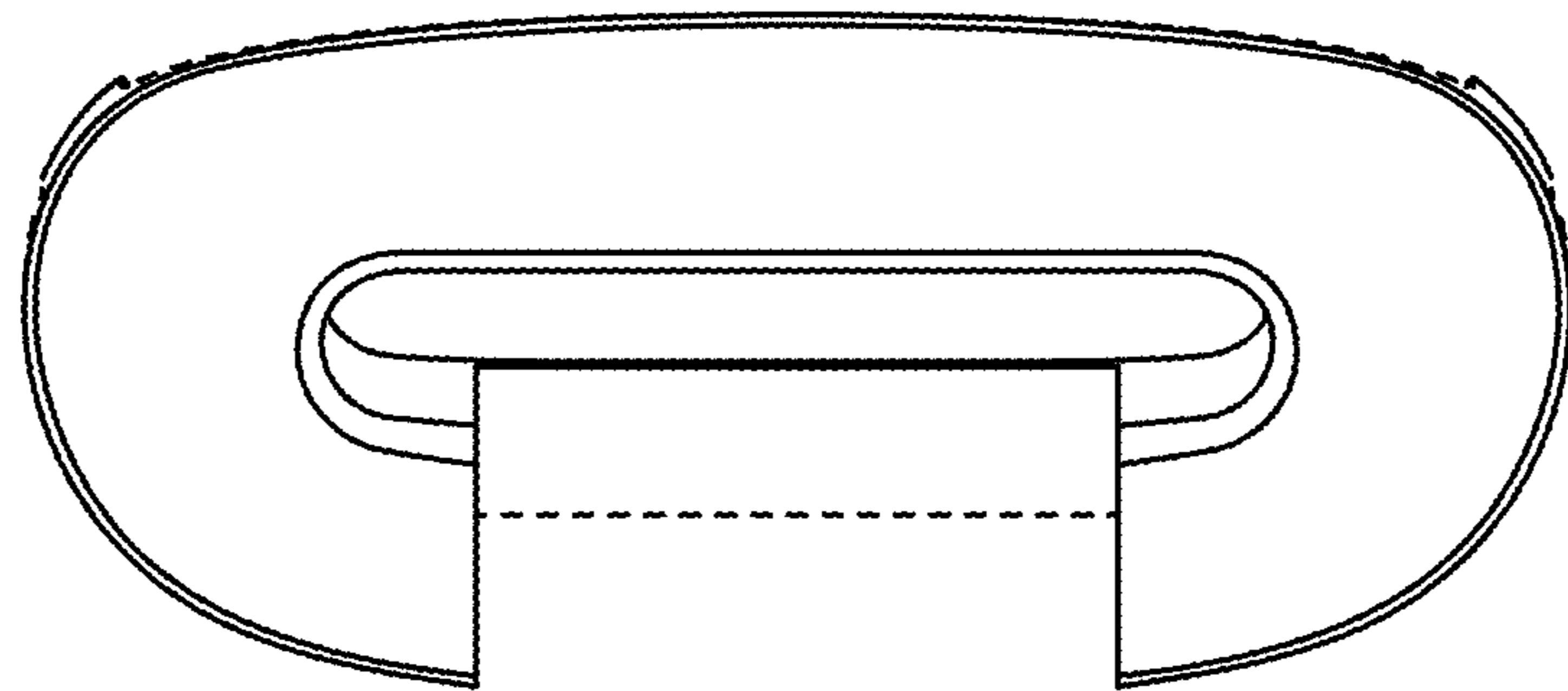


FIG. 14

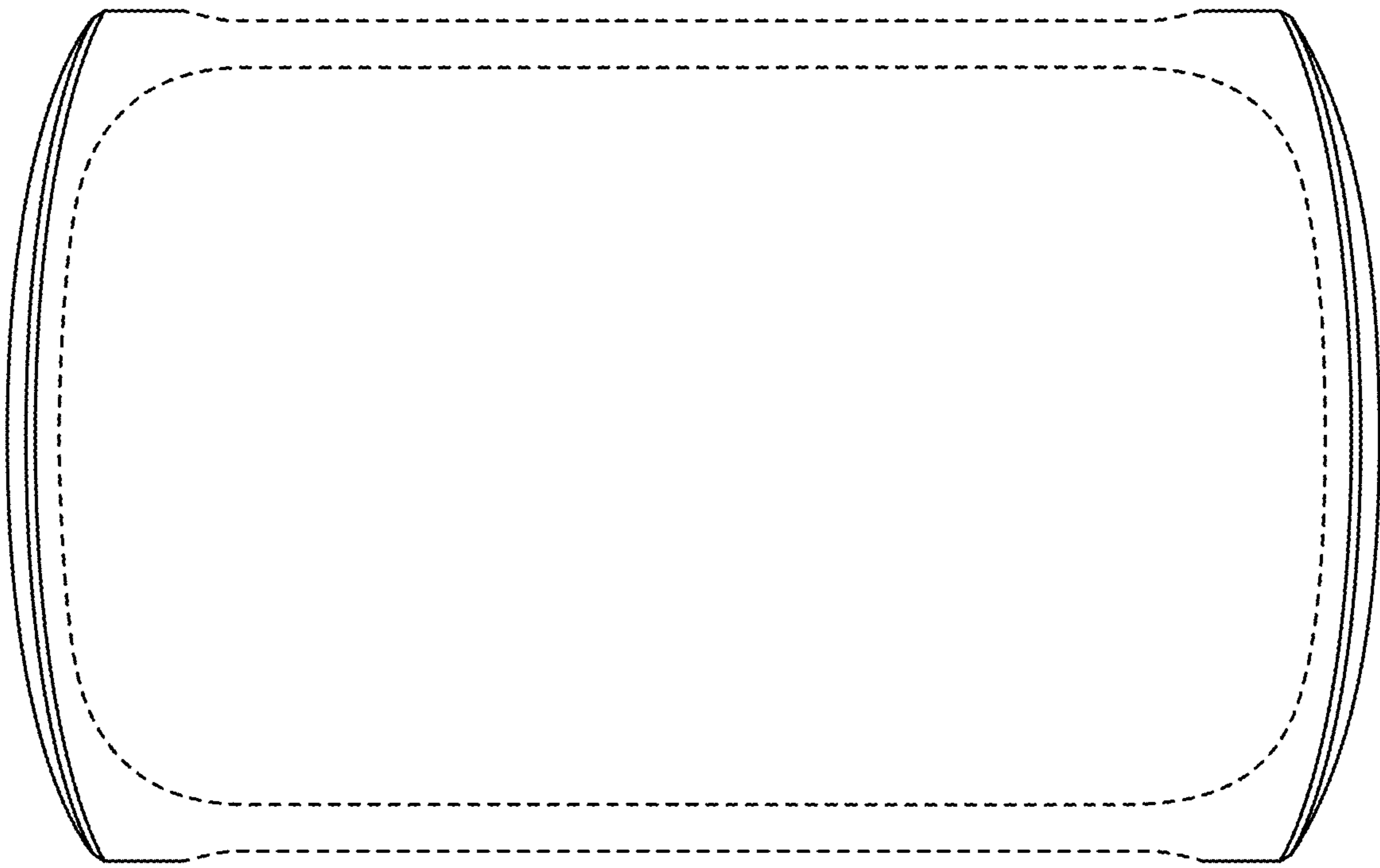


FIG. 15



FIG. 16