



US00D985553S

(12) **United States Design Patent**
He et al.

(10) **Patent No.:** **US D985,553 S**

(45) **Date of Patent:** **** May 9, 2023**

(54) **SMART WATCH**

(71) Applicant: **SHENZHEN DO INTELLIGENT TECHNOLOGY CO., LTD.**,
Guangdong (CN)

(72) Inventors: **An He**, Guangdong (CN); **Peng Li**,
Guangdong (CN)

(73) Assignee: **SHENZHEN DO INTELLIGENT TECHNOLOGY CO., LTD.**,
Guangdong (CN)

(**) Term: **15 Years**

(21) Appl. No.: **29/757,820**

(22) Filed: **Nov. 10, 2020**

(30) **Foreign Application Priority Data**

Sep. 28, 2020 (CN) 202030585806.8

(51) **LOC (14) Cl.** **14-02**

(52) **U.S. Cl.**
USPC **D14/344**

(58) **Field of Classification Search**
USPC D5/56, 59-60, 99; D10/30-39, 70, 98,
D10/1-2, 5, 10, 14-15, 21, 30-41;
(Continued)

(56) **References Cited**

U.S. PATENT DOCUMENTS

D402,565 S * 12/1998 Sato D10/30
D423,951 S * 5/2000 Fichter D10/126
(Continued)

FOREIGN PATENT DOCUMENTS

GB 6107385 * 5/2022
GB 6211596 * 6/2022
(Continued)

OTHER PUBLICATIONS

Hamind—Amazon, Announced on Aug. 15, 2021 [online], retrieved on Sep. 22, 2022, retrieved from internet, <https://www.amazon.com/Touchscreen-Android-Compatible-Waterproof-Smartwatch/dp/B09CNGGN7R> (Year: 2021).*

(Continued)

Primary Examiner — Barbara Fox
Assistant Examiner — Noah Perez

(74) *Attorney, Agent, or Firm* — Merchant & Gould P.C.

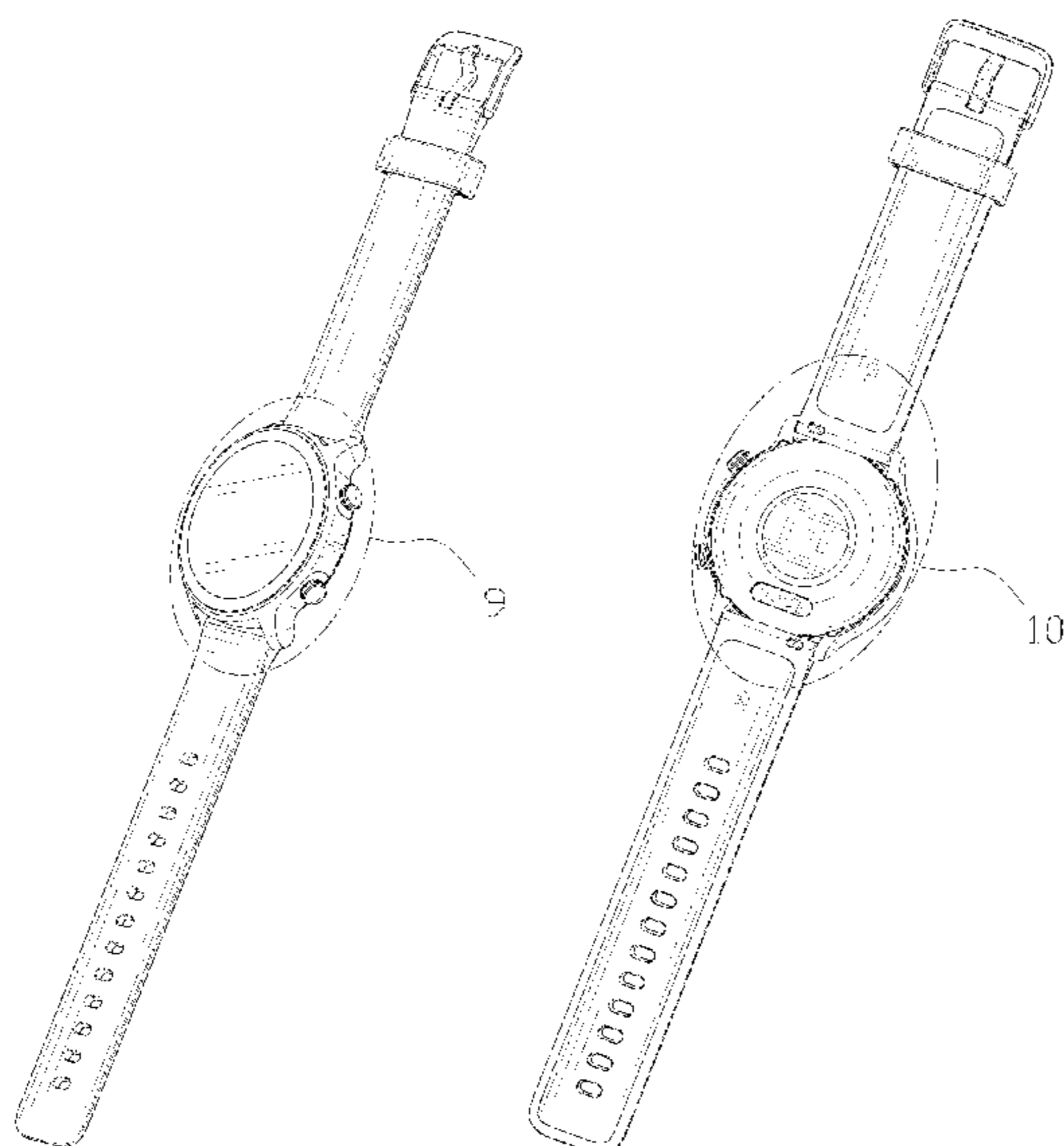
(57) **CLAIM**

The ornamental design for a smart watch, as shown and described.

DESCRIPTION

FIG. 1 is a front and right-side perspective view of a smart watch, showing our new design;
FIG. 2 is a rear and left-side perspective view thereof;
FIG. 3 is a front elevational view thereof;
FIG. 4 is a rear elevational view thereof;
FIG. 5 is a left-side elevational view thereof;
FIG. 6 is a right-side elevational view thereof;
FIG. 7 is a top plan view thereof;
FIG. 8 is a bottom plan view thereof;
FIG. 9 is an enlarged view of a portion of the smart watch shown enclosed by the broken lines labeled 9 in FIG. 1; and,
FIG. 10 is an enlarged view of a portion of the smart watch shown enclosed by the broken lines labeled 10 in FIG. 2.
The evenly spaced broken lines depict portions of the smart watch that form no part of the claimed design. The long-short dashed lines encircling portions of the smart watch in FIGS. 1, 2, 9 and 10 indicate enlargements and form no part of the claimed design.

1 Claim, 10 Drawing Sheets



(58) **Field of Classification Search**

USPC D11/3, 4, 5, 8, 26, 93–94, 78.1, 79, 86,
D11/99; D14/138 R, 144, 341, 344, 358,
D14/388, 218; D24/167, 186–190, 164,
D24/169
CPC A41D 1/002; A41D 19/0034; G04G 17/00;
G04G 17/02; G04G 17/08; G04G 17/083;
G04G 17/086; G04G 17/005; G04G
13/028; G04G 11/00; G04G 9/00; G04C
3/00; G04C 3/001; G04C 3/002; G04C
3/004; G04C 3/005; G04C 3/007; G04C
23/02; G04C 23/04; G04C 17/00; G04B
3/04; G04B 19/24; G04B 19/26; G04B
37/00; G04B 45/0069; G04B 47/04;
G04B 37/0008; G04B 27/0058; G04B
37/12; G04B 37/18; G04B 45/00; G04B
47/00; G04B 47/042; G04B 47/06; G04B
47/063; G04B 19/00; G04B 19/04; G04F
7/06; G04F 7/062; G04F 7/065; G04F
7/067; G04F 8/00; G04F 8/006; A44C
5/00; A44C 5/0007; A44C 5/0053; A44C
5/10; A44C 5/14

See application file for complete search history.

(56) **References Cited**

U.S. PATENT DOCUMENTS

D438,474 S * 3/2001 Dumas D10/126
D583,682 S * 12/2008 Blank D10/32
D661,206 S * 6/2012 Register D10/38
D681,482 S * 5/2013 Ramos, Jr. D10/38
D709,874 S * 7/2014 Aumiller D14/344
D752,045 S * 3/2016 Kim D14/344
D768,623 S * 10/2016 Zou D10/70
D770,917 S * 11/2016 Wiederin D10/32
D773,319 S * 12/2016 Basargin D10/38
D784,982 S * 4/2017 Alberola D10/74
D809,511 S * 2/2018 Mistry D14/344
D812,051 S * 3/2018 Park D14/344
D823,302 S * 7/2018 Yoshimoto D14/344
D823,853 S * 7/2018 Yoshimoto D14/344
D863,985 S * 10/2019 Viry D10/32
D875,555 S * 2/2020 Komulainen D10/70
D876,966 S * 3/2020 Shi D14/344
D877,627 S * 3/2020 Muller D10/30
D879,095 S * 3/2020 Li D14/344
D890,752 S * 7/2020 Huang D14/300
D893,474 S * 8/2020 Chung D14/344
D913,118 S * 3/2021 Moilanen D14/344
D918,059 S * 5/2021 Wang D14/344
D945,415 S * 3/2022 Chao D14/344

D951,245 S * 5/2022 Chung D14/344
D960,153 S * 8/2022 Wu D14/344
D961,585 S * 8/2022 He D14/344
D964,865 S * 9/2022 Huang D10/32
2021/0117078 A1 * 4/2021 Yang G06F 3/04883

FOREIGN PATENT DOCUMENTS

JP D1720745 * 7/2022
JP D1725129 * 9/2022
JP D1725259 * 9/2022
KR 301162301.0000 * 5/2022
KR 301164233.0000 * 5/2022

OTHER PUBLICATIONS

Shenzhen—Amazon, Announced on Dec. 23, 2020 [online], retrieved on Sep. 22, 2022, retrieved from internet, <https://www.amazon.com/suinsist-Activity-Waterproof-Pedometer-Smartwatch/dp/B08R7GX1GB> (Year: 2020).*

Aerfa—Amazon, Announced on Oct. 20, 2020 [online], retrieved on Sep. 22, 2022, retrieved from internet, <https://www.amazon.com/2021%EF%BC%8CSmart-Fitness-Smartwatch-Reminder-Waterproof/dp/B08LGYVP6T> (Year: 2020).*

Shenzhen—Global Sources, Announced on Apr. 27, 2018 [online], retrieved on Sep. 22, 2022, <https://www.globalsources.com/health-monitoring/ecg-blood-oxygen-smart-watch-1187937974p.htm> (Year: 2018).*

Touch Screen Calculator—Global Sources, No Announcement Date [online], Retrieved on Sep. 22, 2022, retrieved from internet, <https://www.globalsources.com/Sports-analog/sport-watch-1176241245p.htm#Payment>.*

idoosmart.com, Announced on Dec. 1, 2021 [online], retrieved on Sep. 22, 2022, retrieved from internet, <https://web.archive.org/web/20211201181142/https://www.idoosmart.com/item/217G.html> (Year: 2021).*

ID217G—Global Sources, No Announcement Date [online], retrieved on Sep. 22, 2022, retrieved from internet, <https://manuals.plus/shenzhen-do-intelligent-technology/id217a-smart-watch-manual#axzz7glmsgmNO>.*

Manuals.plus, Announced on Feb. 2, 2022 [online], retrieved on Sep. 22, 2022, retrieved from internet, <https://manuals.plus/shenzhen-do-intelligent-technology/id217g-smart-watch-manual#axzz7glmsgmNO> (Year: 2022).*

Puccy—Amazon, Announced on Jul. 17, 2021 [online], retrieved on Sep. 22, 2022, retrieved from internet, <https://www.amazon.com/Puccy-Protector-compatible-Smartwatch-Protectors/dp/B099PRCM1W> (Year: 2021).*

Alza.Cz, Earliest Review on Jan. 12, 2021 [online], retrieved on Sep. 22, 2022, retrieved from internet, <https://www.alza.cz/wowme-id217g-sport-black-d6602733.htm#discussionPosts> (Year: 2021).*

* cited by examiner

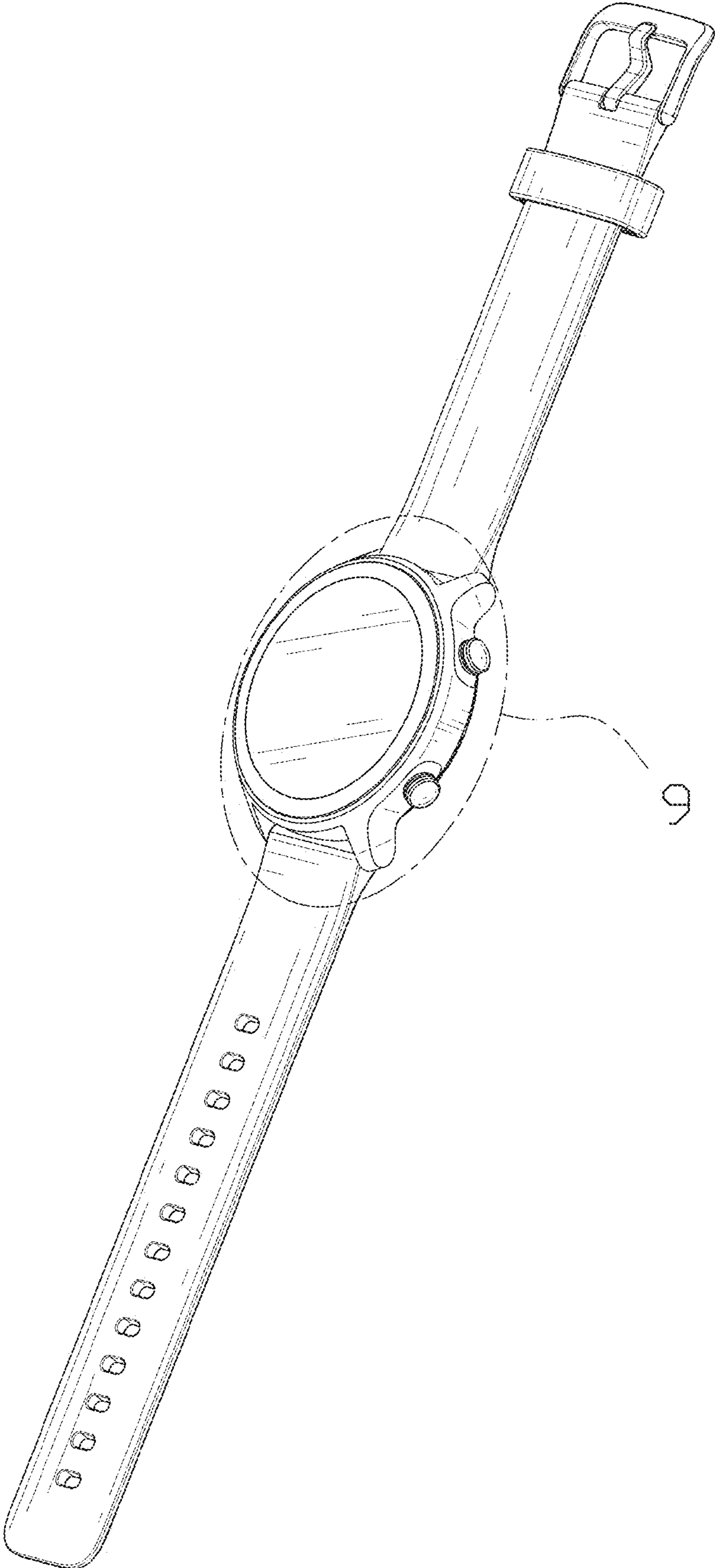


FIG. 1

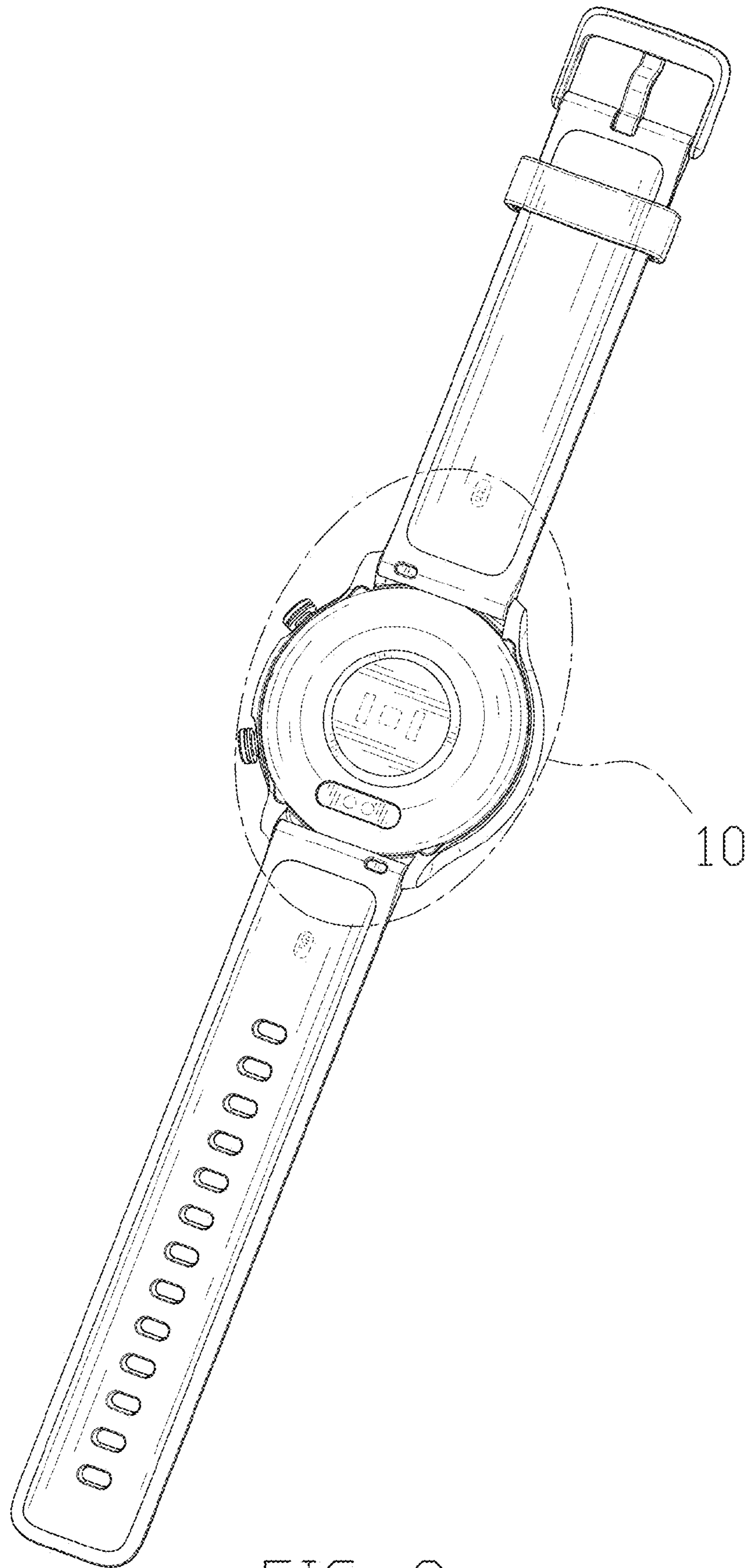


FIG. 2

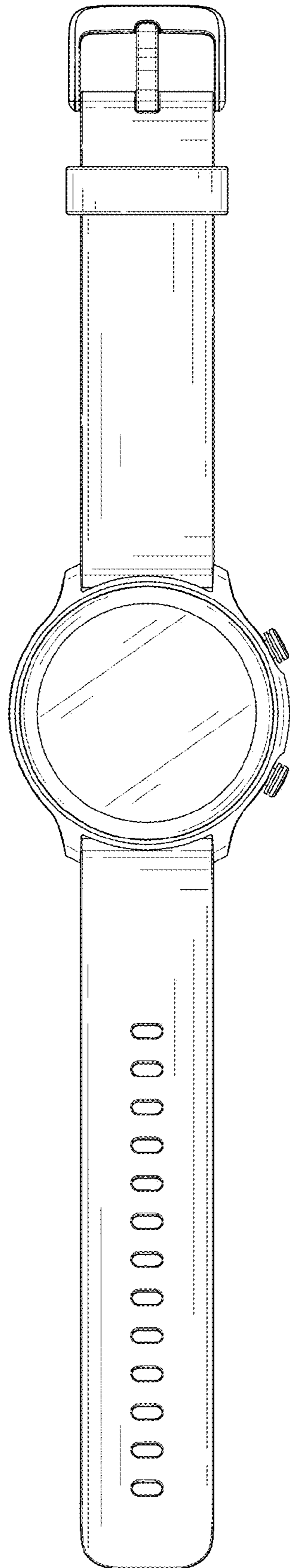


FIG. 3

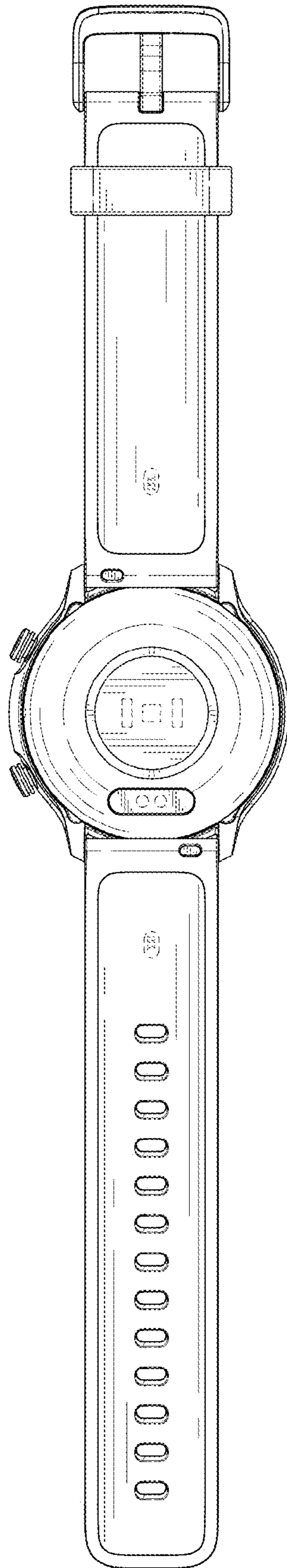


FIG. 4

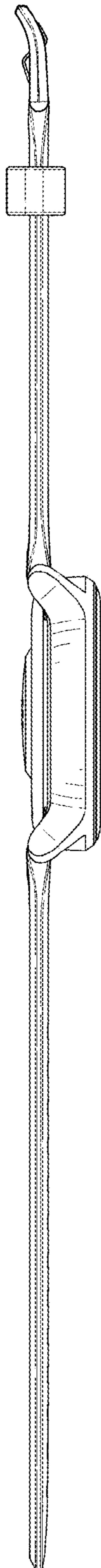


FIG. 5

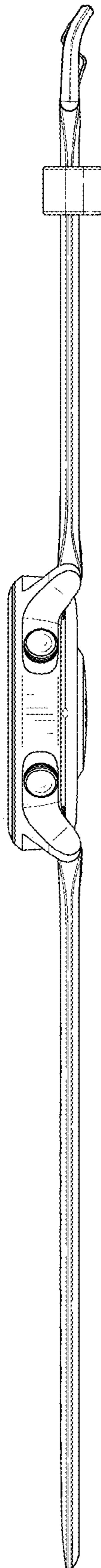


FIG. 6

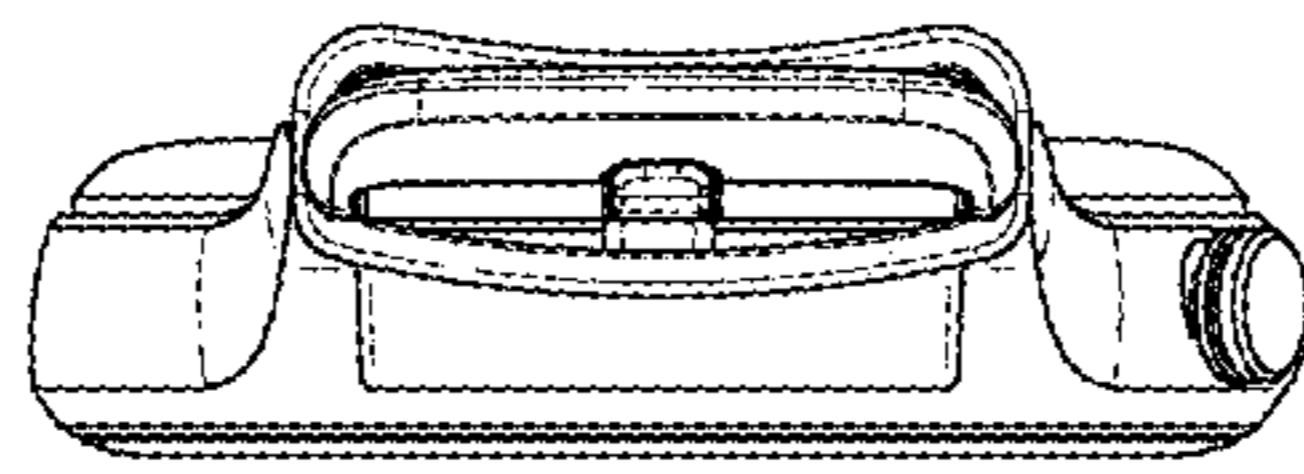


FIG. 7

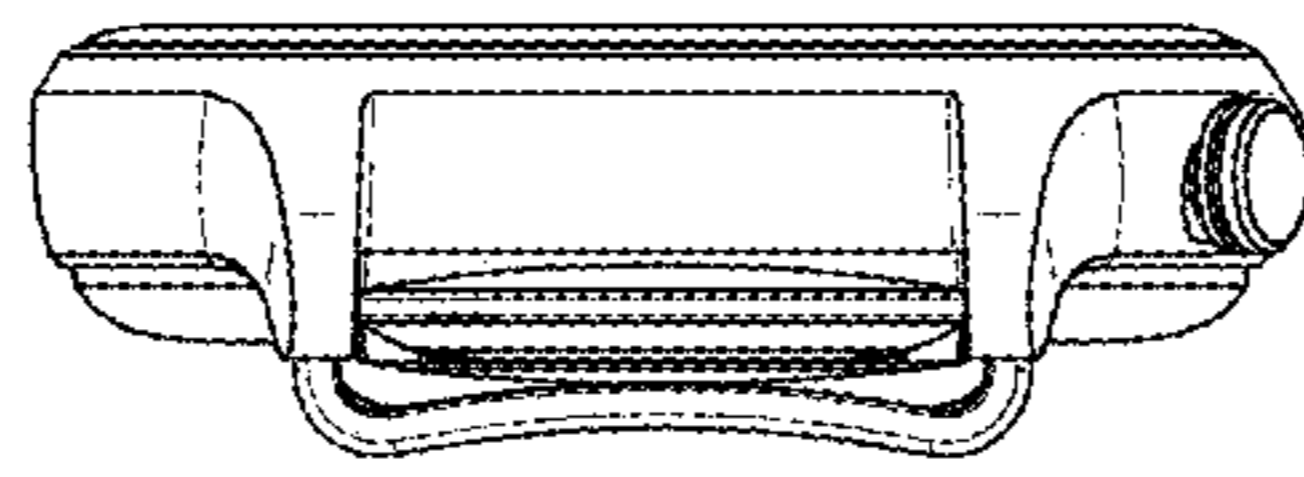


FIG. 8

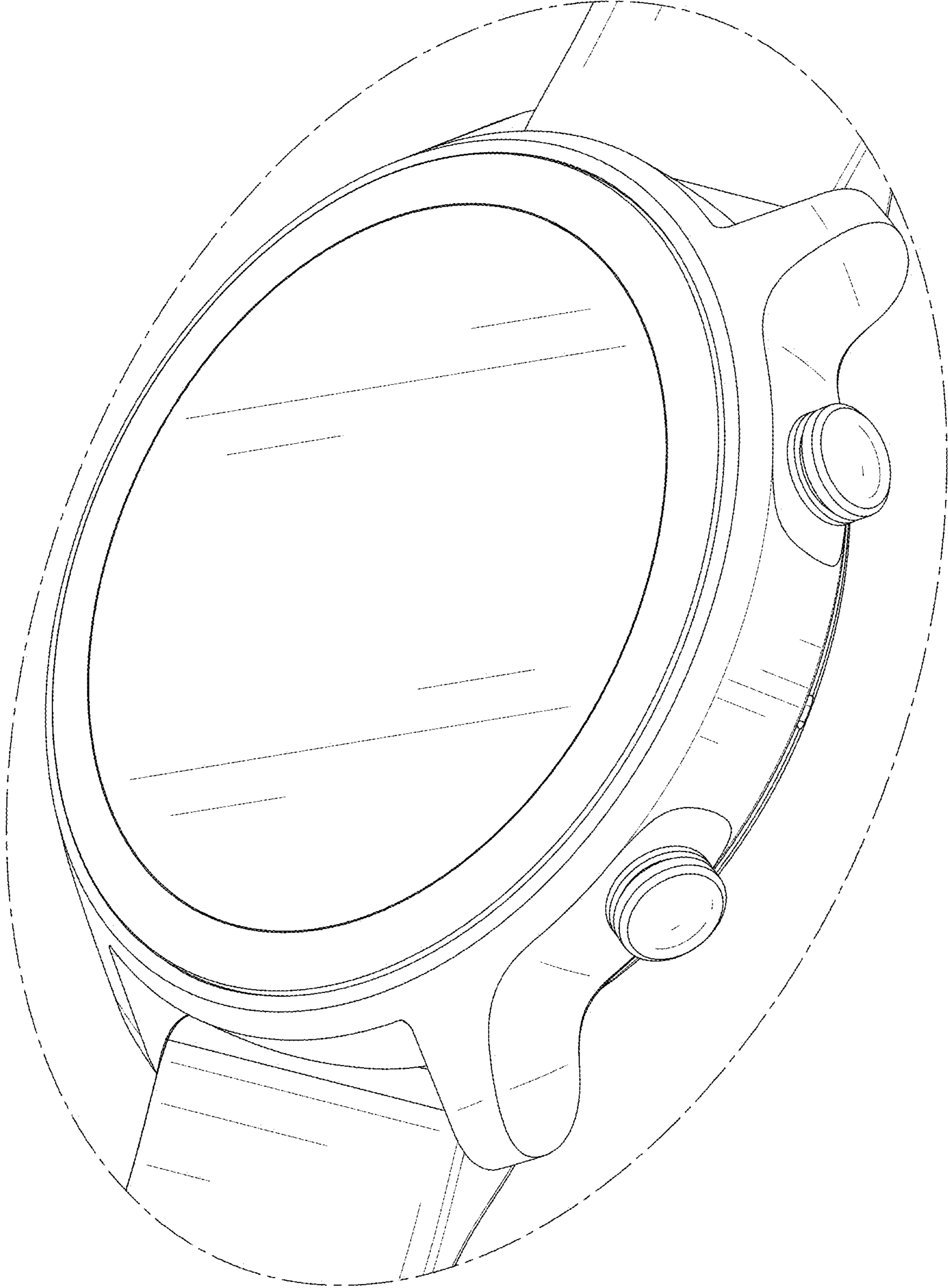


FIG. 9

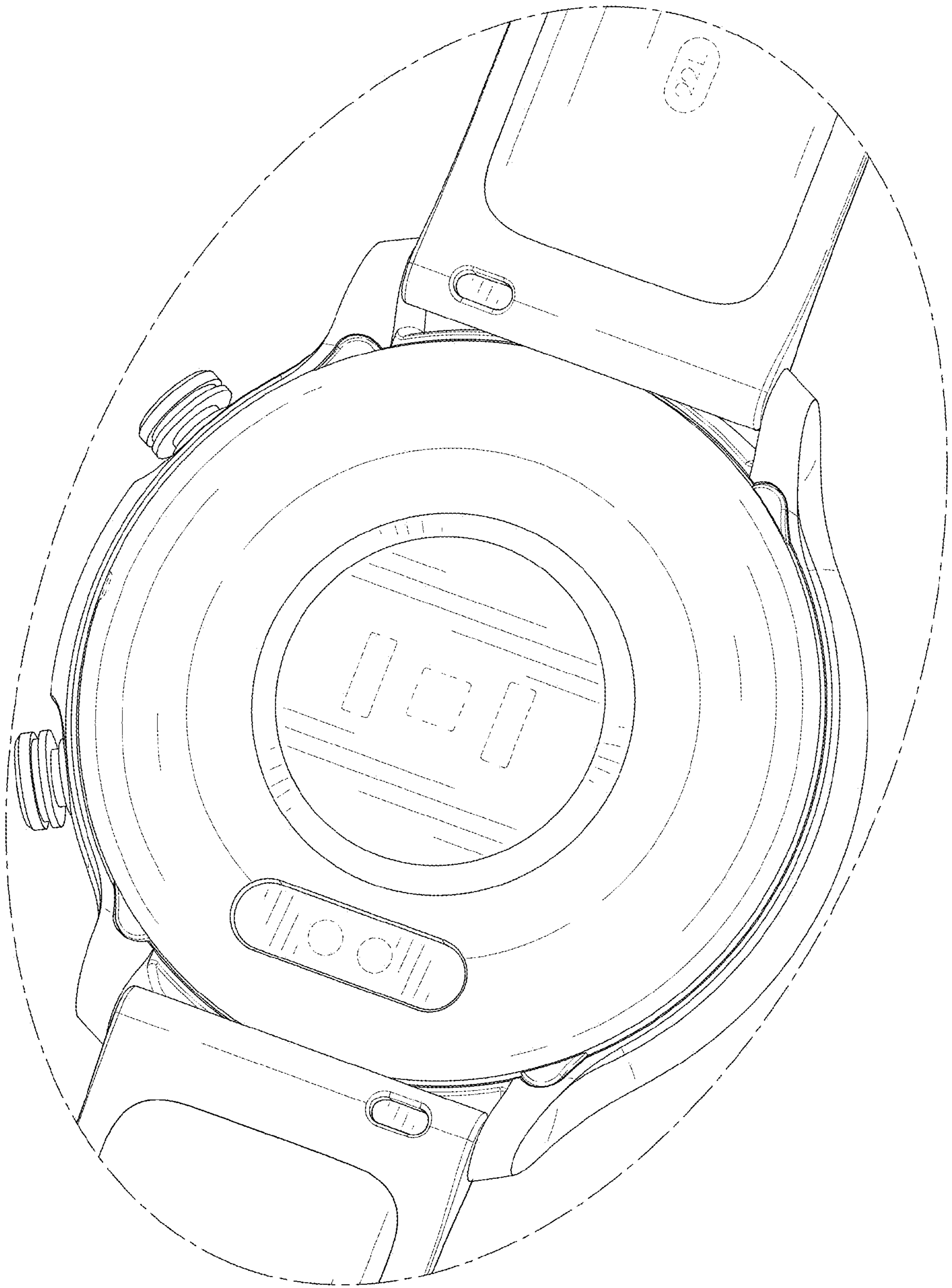


FIG. 10