



US00D985551S

(12) **United States Design Patent**  
**Chen et al.**

(10) **Patent No.:** **US D985,551 S**

(45) **Date of Patent:** **\*\* May 9, 2023**

(54) **NOTEBOOK COMPUTER**

(71) Applicants: **You-Tza Chen**, Taipei (TW); **Yu-Chieh Lin**, Taipei (TW)

(72) Inventors: **You-Tza Chen**, Taipei (TW); **Yu-Chieh Lin**, Taipei (TW)

(73) Assignee: **COMPAL ELECTRONICS, INC.**, Taipei (TW)

(\*\*) Term: **15 Years**

(21) Appl. No.: **29/745,601**

(22) Filed: **Aug. 7, 2020**

(30) **Foreign Application Priority Data**

Mar. 12, 2020 (TW) ..... 109301281

(51) **LOC (14) Cl.** ..... **14-02**

(52) **U.S. Cl.**  
USPC ..... **D14/327; D14/315**

(58) **Field of Classification Search**  
USPC ..... D14/315-327, 331, 333, 334, 335, D14/338-340, 371, 388, 390, 391, 392, D14/394, 396, 399, 432, 433, 454, 455, D14/471, 203.1, 203.7, 341, 356, 488, D14/239, 125, 126, 129, 135, 374-376, D14/439, 447, 451; D18/1, 4.3, 4.5, 7, D18/11, 12, 12.2, 12.3; D20/19, 29  
CPC ..... G06F 1/16; G06F 1/1601; G06F 1/1605; G06F 1/1607; G06F 1/1613; G06F 1/1616; G06F 1/1618; G06F 1/162; G06F 1/1622; G06F 1/1624; G06F 1/1626; G06F 1/1628; G06F 1/1633; G06F 1/1637; G06F 1/1641; G06F 1/1643; G06F 1/1647; G06F 1/1649; G06F 1/165; G06F 1/1652; G06F 1/1654; G06F 1/1656; G06F 1/1662; G06F 1/1664; G06F 1/1666; G06F 1/1667; G06F 1/1669; G06F 1/1671; G06F 1/1675; G06F 1/1681; G06F 1/1686; G06F 1/1688; G06F 1/169;

(Continued)

(56) **References Cited**

U.S. PATENT DOCUMENTS

7,327,560 B1 \* 2/2008 Tabasso ..... G06F 1/3231  
361/679.09

D705,778 S \* 5/2014 Groene ..... D14/341  
(Continued)

OTHER PUBLICATIONS

Youze et al., CN Design No. 306336287, published at Orbit, publication date Feb. 19, 2021. Site visited May 26, 2022. Available from internet. (Year: 2021).\*

(Continued)

*Primary Examiner* — Kathleen L Jones

*Assistant Examiner* — Cole Sanders Holman

(74) *Attorney, Agent, or Firm* — JCIPRNET

(57) **CLAIM**

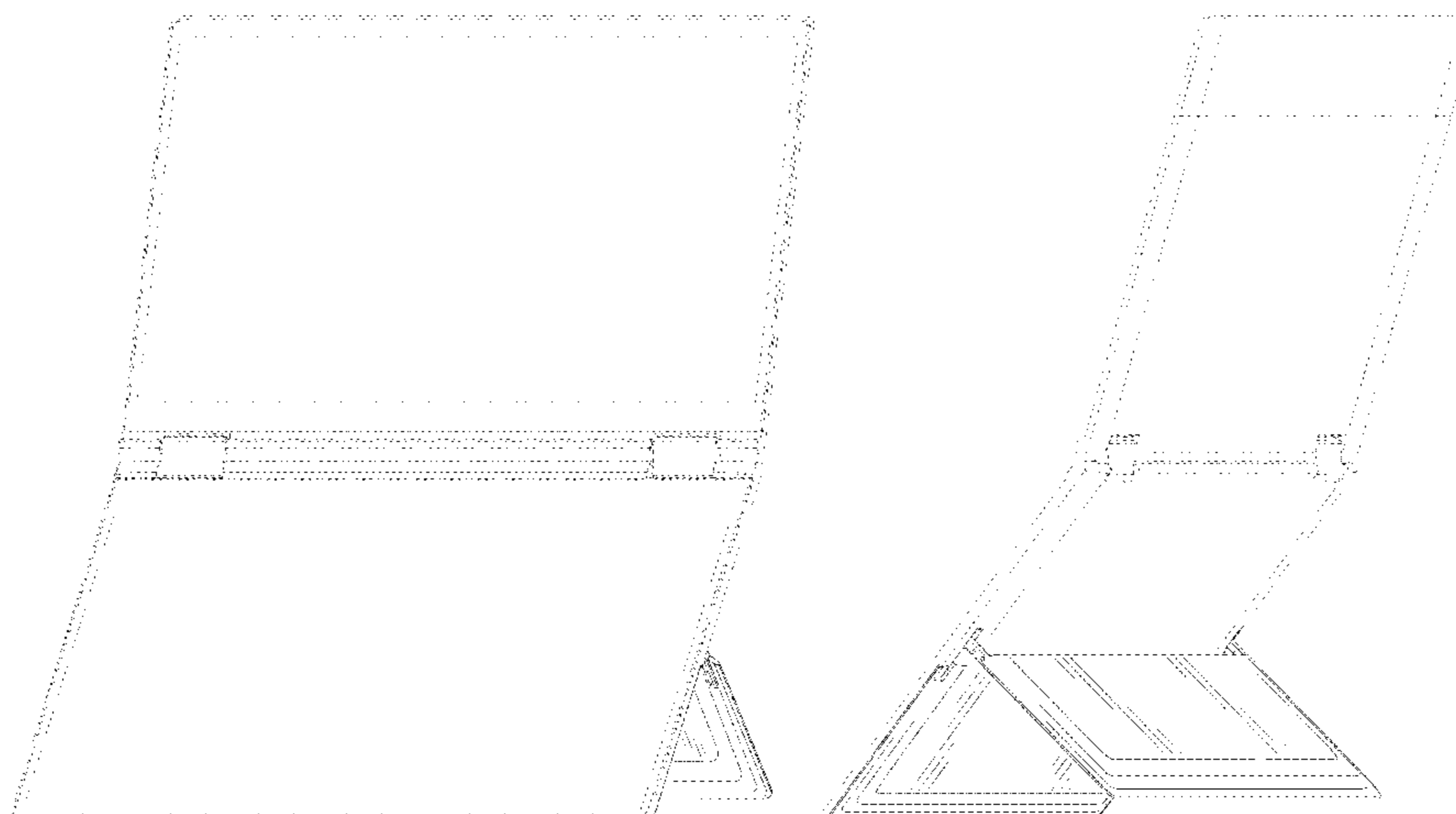
The ornamental design for a notebook computer, as shown and described.

**DESCRIPTION**

FIG. 1 is a front right perspective view of a notebook computer showing our new design;  
FIG. 2 is a rear right perspective view thereof;  
FIG. 3 is a rear left perspective view thereof;  
FIG. 4 is a front view thereof;  
FIG. 5 is a rear view thereof;  
FIG. 6 is a left side view thereof;  
FIG. 7 is a right side view thereof;  
FIG. 8 is a top view thereof;  
FIG. 9 is a bottom view thereof; and,  
FIG. 10 is a cross-sectional view taken along line 10-10 in FIG. 5.

The dashed broken lines illustrate portions of the notebook computer and form no part of the claimed design.

**1 Claim, 10 Drawing Sheets**



(58) **Field of Classification Search**

CPC ..... G06F 1/1692; G06F 1/181; H05K 5/0017;  
H05K 5/03; H05K 5/0052; H05K 5/0069;  
H05K 5/0217; H05K 5/0239; H05K  
5/0249; H05K 5/0247; H05K 5/003;  
H04B 1/3888; H04M 1/0202; H04M  
1/021; H04M 1/0212; H04M 1/0279;  
H04M 1/0281; H04M 1/0283

See application file for complete search history.

(56) **References Cited**

U.S. PATENT DOCUMENTS

D855,056 S \* 7/2019 Raken ..... D14/315  
D872,077 S \* 1/2020 Raken ..... D14/341  
D907,046 S \* 1/2021 Kao ..... D14/440  
D922,996 S \* 6/2021 Chen ..... D14/315  
D949,845 S \* 4/2022 Wu ..... D14/316  
2009/0086424 A1\* 4/2009 Jette ..... G06F 1/1616  
361/679.55  
2015/0374118 A1\* 12/2015 van Hooft ..... A45C 11/00  
248/451  
2018/0210504 A1\* 7/2018 Moser ..... G06F 1/1679  
2020/0341515 A1\* 10/2020 Moser ..... G06F 1/1692

OTHER PUBLICATIONS

Tung-Ying et al., US Design No. D0949845, published at Orbit,  
publication date Apr. 26, 2022. Site visited May 26, 2022. Available  
from internet. (Year: 2022).\*

\* cited by examiner

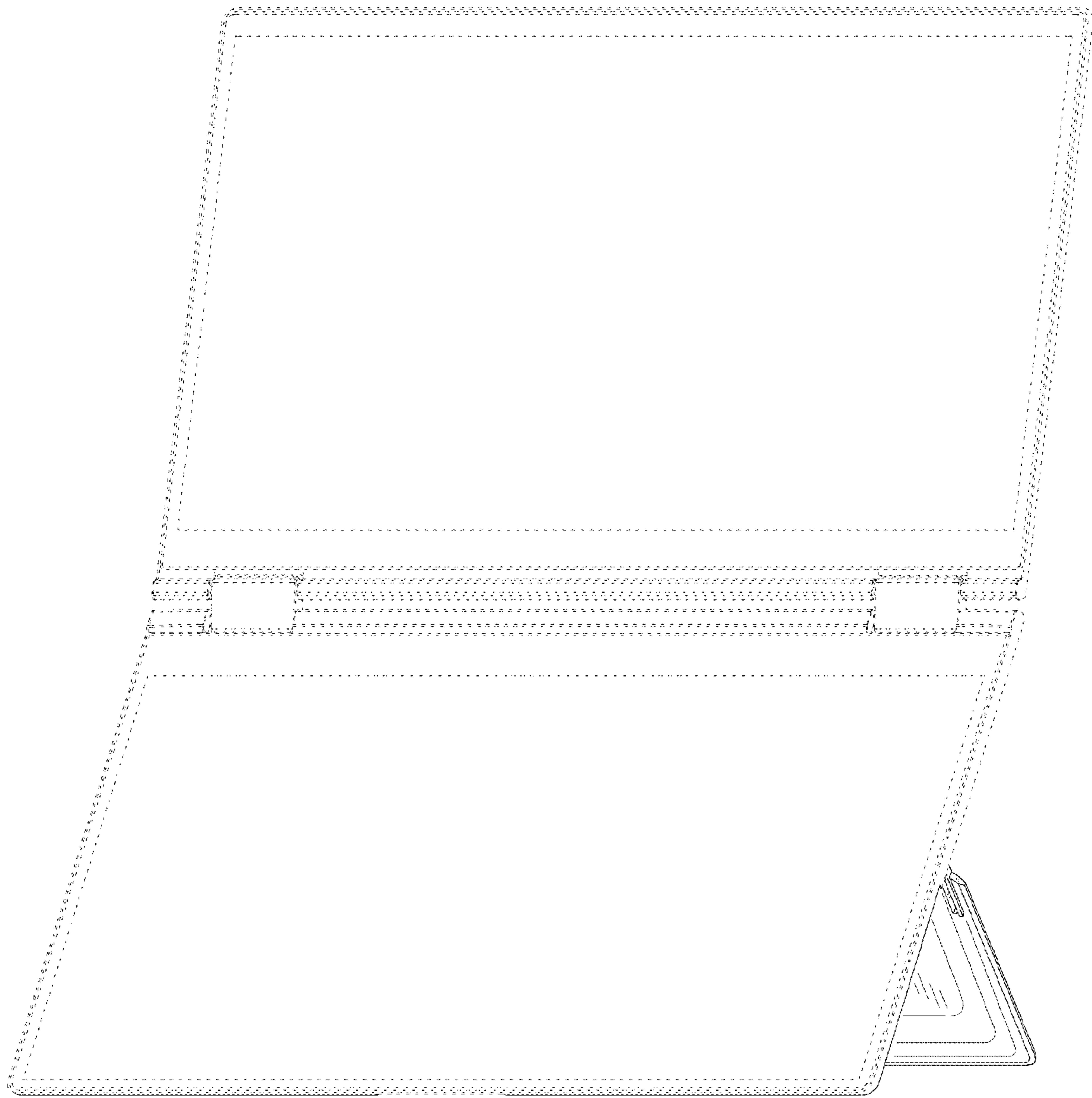


FIG. 1

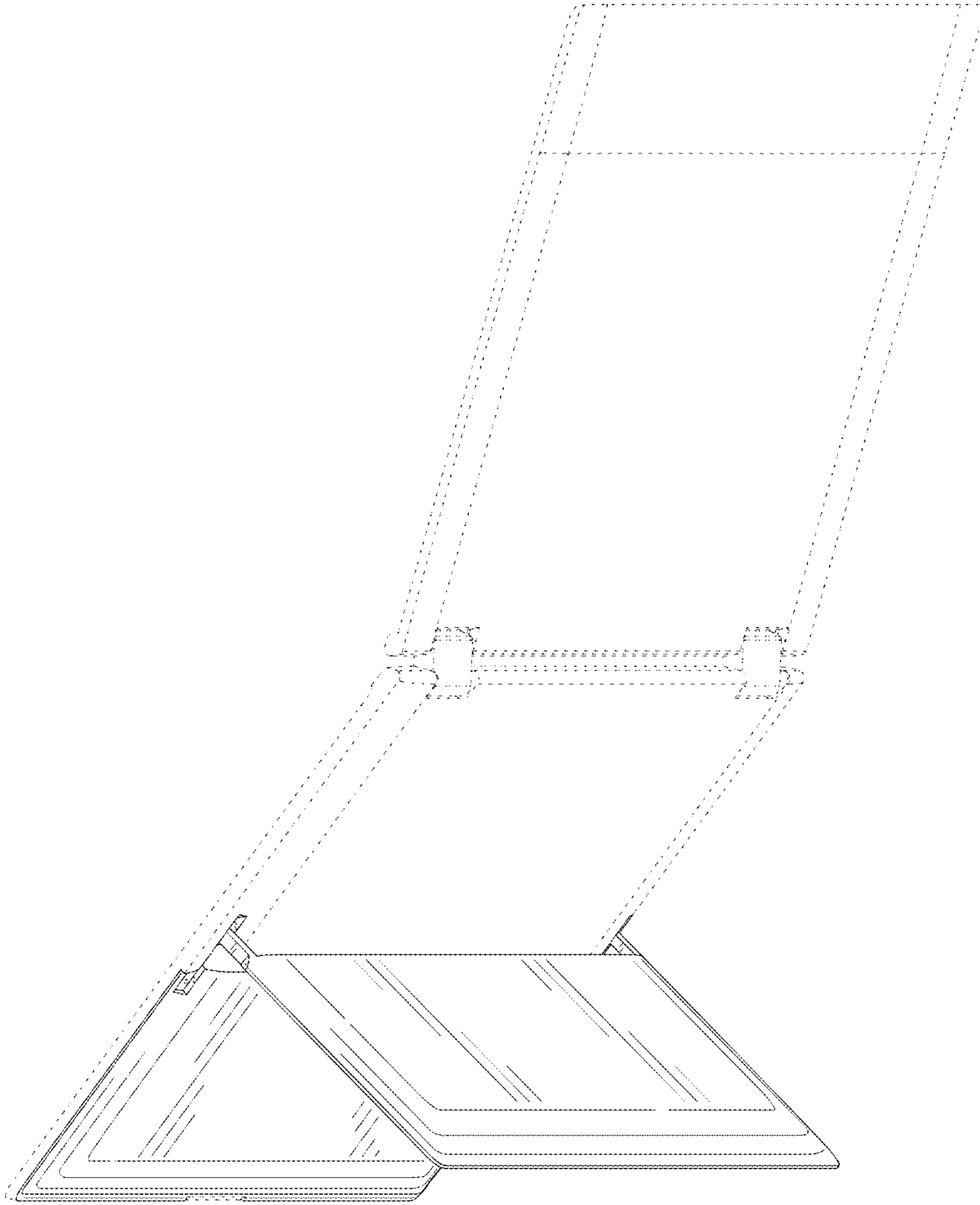


FIG. 2

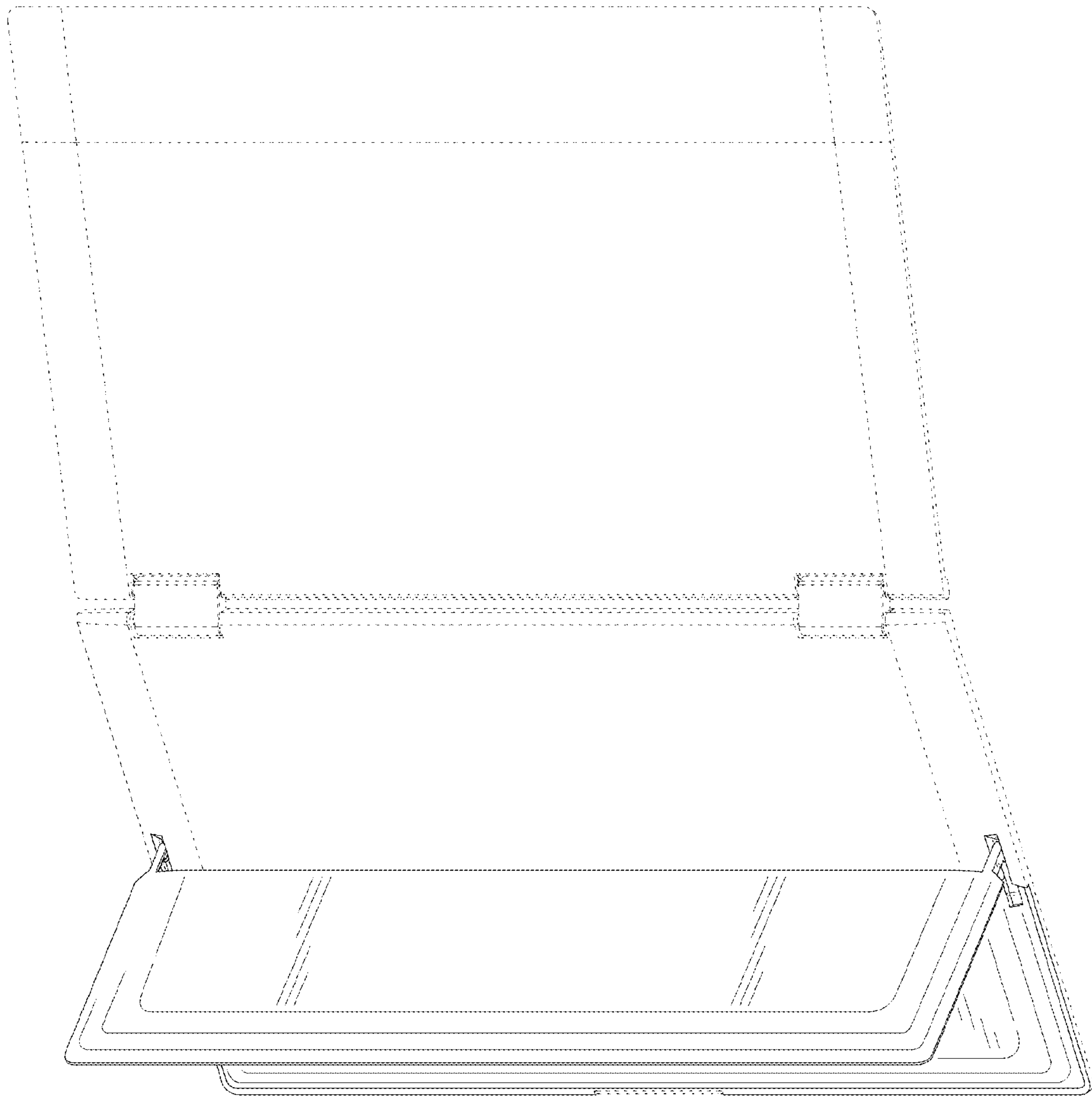


FIG. 3

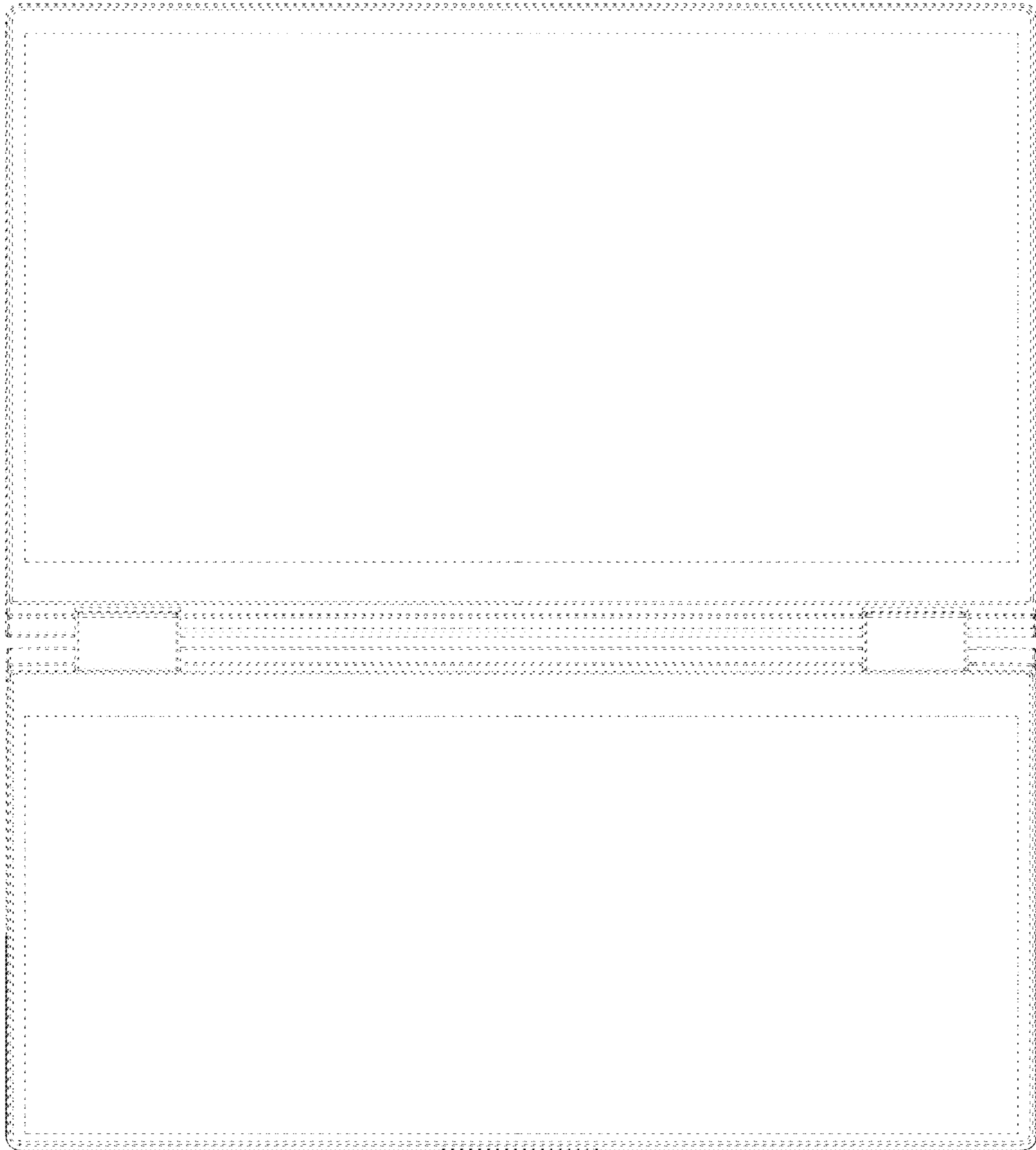


FIG. 4

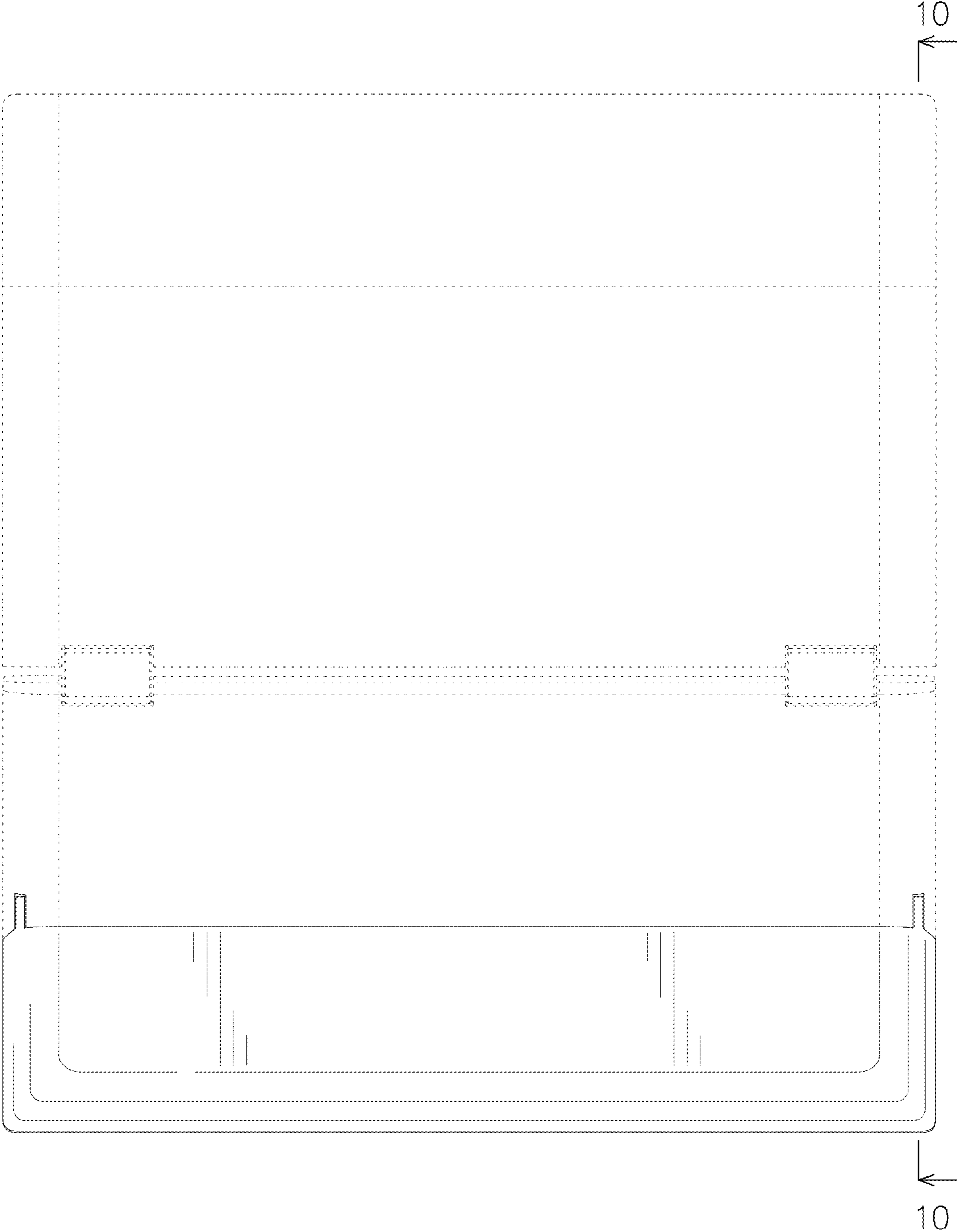


FIG. 5

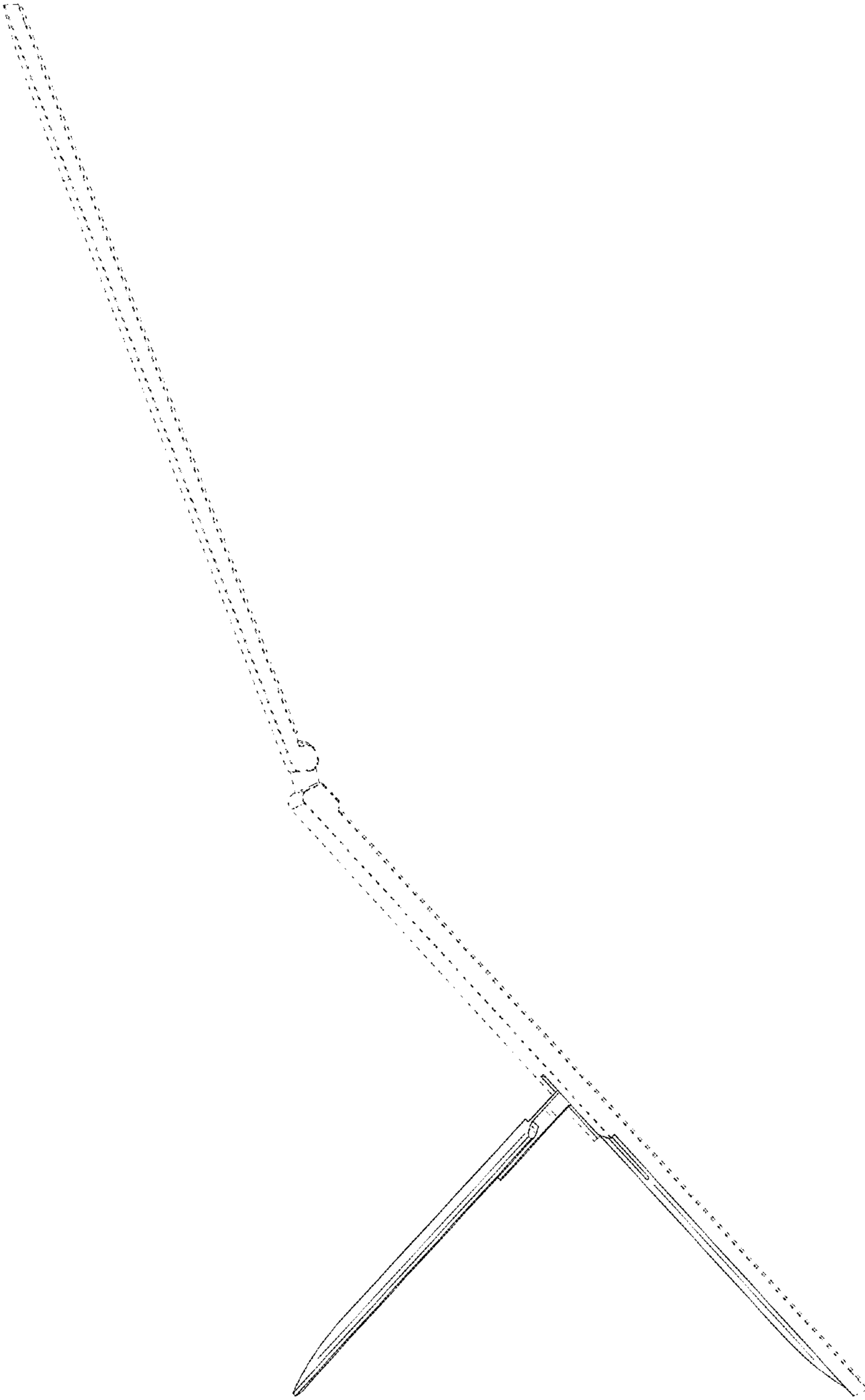


FIG. 6



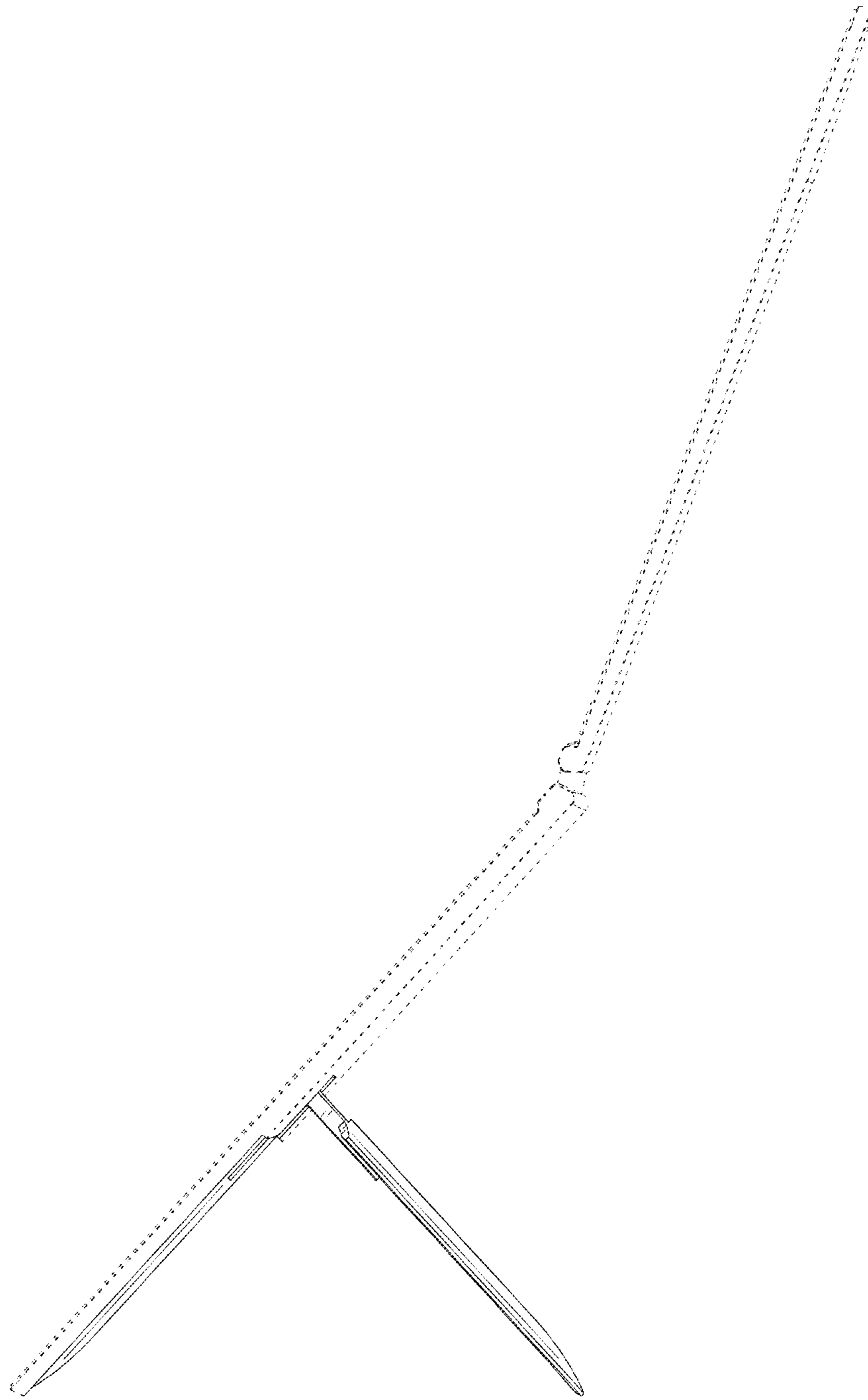


FIG. 7



FIG. 8

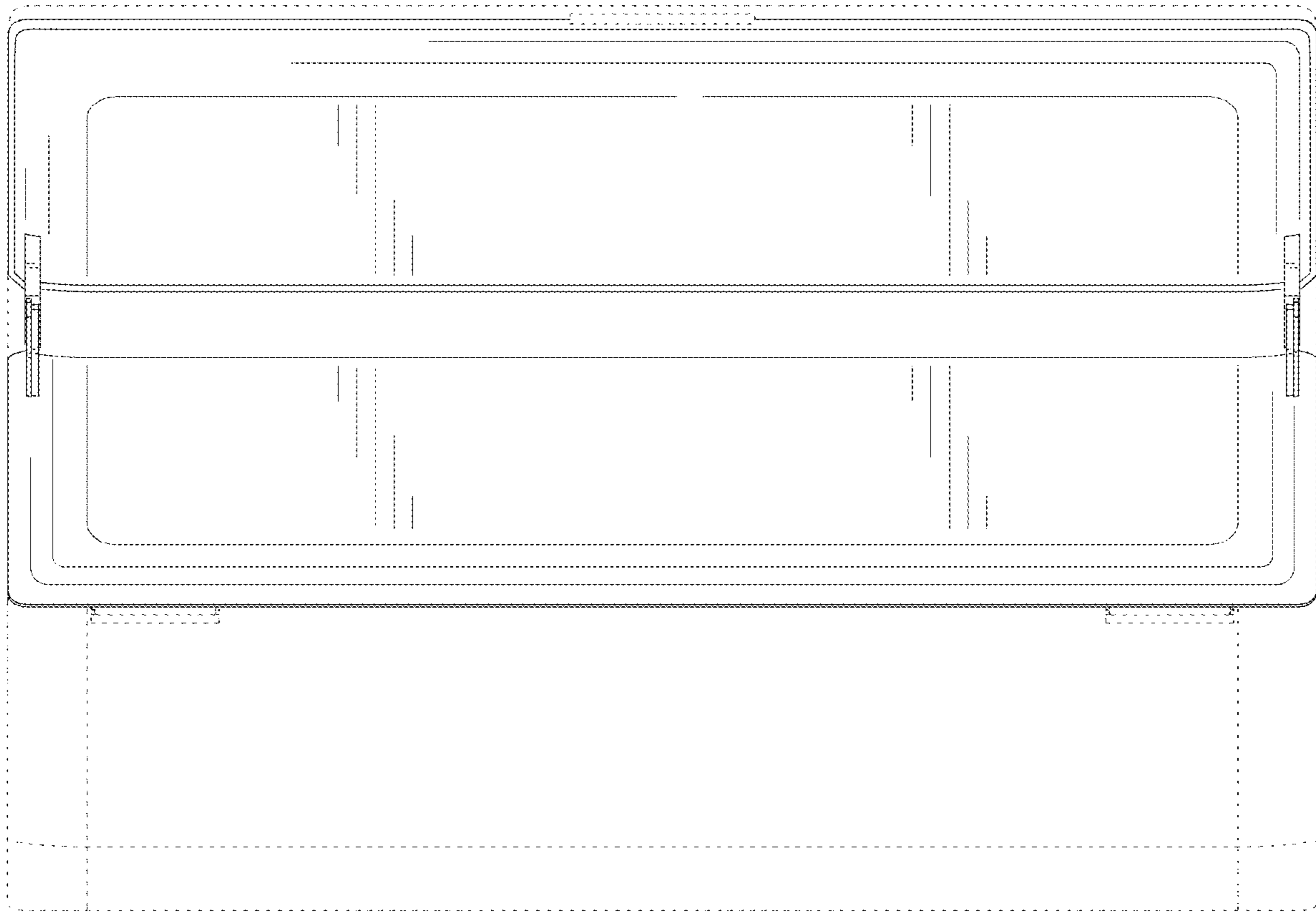


FIG. 9



FIG. 10