



US00D985550S

(12) **United States Design Patent**
Tang

(10) **Patent No.:** **US D985,550 S**

(45) **Date of Patent:** **** May 9, 2023**

- (54) **CASE FOR WEARABLE DEVICE**
- (71) Applicant: **Shenzhen Zuokou Trading Co., Ltd.**,
Shenzhen (CN)
- (72) Inventor: **Haihong Tang**, Putian (CN)
- (73) Assignee: **Shenzhen Zuokou Trading Co., Ltd.**,
Shenzhen (CN)
- (**) Term: **15 Years**

| | | | |
|--------------|---------|---------------|---------|
| D786,879 S * | 5/2017 | Kim | D14/440 |
| D790,517 S * | 6/2017 | Akana | D14/244 |
| D798,905 S * | 10/2017 | Akana | D14/511 |
| D802,587 S * | 11/2017 | Lee | D14/344 |
| D865,546 S * | 11/2019 | Kellock | D10/70 |
| D874,458 S * | 2/2020 | Akana | D14/344 |
| D888,710 S * | 6/2020 | Yun | D14/344 |
| D897,350 S * | 9/2020 | Wang | D14/440 |
| D905,051 S * | 12/2020 | Akana | D14/344 |
| D947,181 S * | 3/2022 | Akana | D14/344 |
| D947,839 S * | 4/2022 | Akana | D14/344 |
| D948,358 S * | 4/2022 | Akana | D10/70 |
| D962,930 S * | 9/2022 | Akana | D14/344 |

(Continued)

(21) Appl. No.: **29/827,716**

(22) Filed: **Feb. 22, 2022**

(30) **Foreign Application Priority Data**

Sep. 15, 2021 (EM) 008686273-0001

(51) **LOC (14) Cl.** **14-03**

(52) **U.S. Cl.**
USPC **D14/250**

(58) **Field of Classification Search**
USPC D14/250-251, 253, 440, 344, 439;
D10/30, 43

CPC ... H04B 1/3888; B32B 38/1841; B32B 37/26;
F16M 11/10; H04M 1/04

See application file for complete search history.

(56) **References Cited**

U.S. PATENT DOCUMENTS

| | | | |
|--------------|---------|--------------|---------|
| D528,439 S * | 9/2006 | Burton | D10/38 |
| D666,108 S | 8/2012 | Chiang | |
| D676,765 S | 2/2013 | Lassigne | |
| D728,624 S * | 5/2015 | Akana | D14/496 |
| D737,159 S * | 8/2015 | Akana | D10/70 |
| D741,726 S * | 10/2015 | Akana | D10/70 |
| D752,044 S * | 3/2016 | Akana | D14/344 |
| D766,752 S * | 9/2016 | Akana | D10/70 |
| D766,904 S * | 9/2016 | Jung | D14/440 |
| D766,905 S * | 9/2016 | Lee | D14/440 |
| D769,879 S * | 10/2016 | Kim | D14/440 |
| D780,740 S * | 3/2017 | Kim | D14/250 |

FOREIGN PATENT DOCUMENTS

CN 210864338 U * 6/2020

OTHER PUBLICATIONS

Misxi Apple Watch Protective Cover, image review https://www.amazon.com/Misxi-Protector-Compatible-Ultra-Thin-Protective/dp/B09JWDZ64S/ref=cm_cr_ar_p_d_product_top?ie=UTF8&th=1.*

Primary Examiner — John R Yeh

(74) *Attorney, Agent, or Firm* — Georgi Korobanov

(57) **CLAIM**

The ornamental design for a case for wearable device, as shown and described.

DESCRIPTION

FIG. 1 is a perspective view of a case for wearable device, showing my new design;

FIG. 2 is another perspective view thereof;

FIG. 3 is a front view thereof;

FIG. 4 is a rear view thereof;

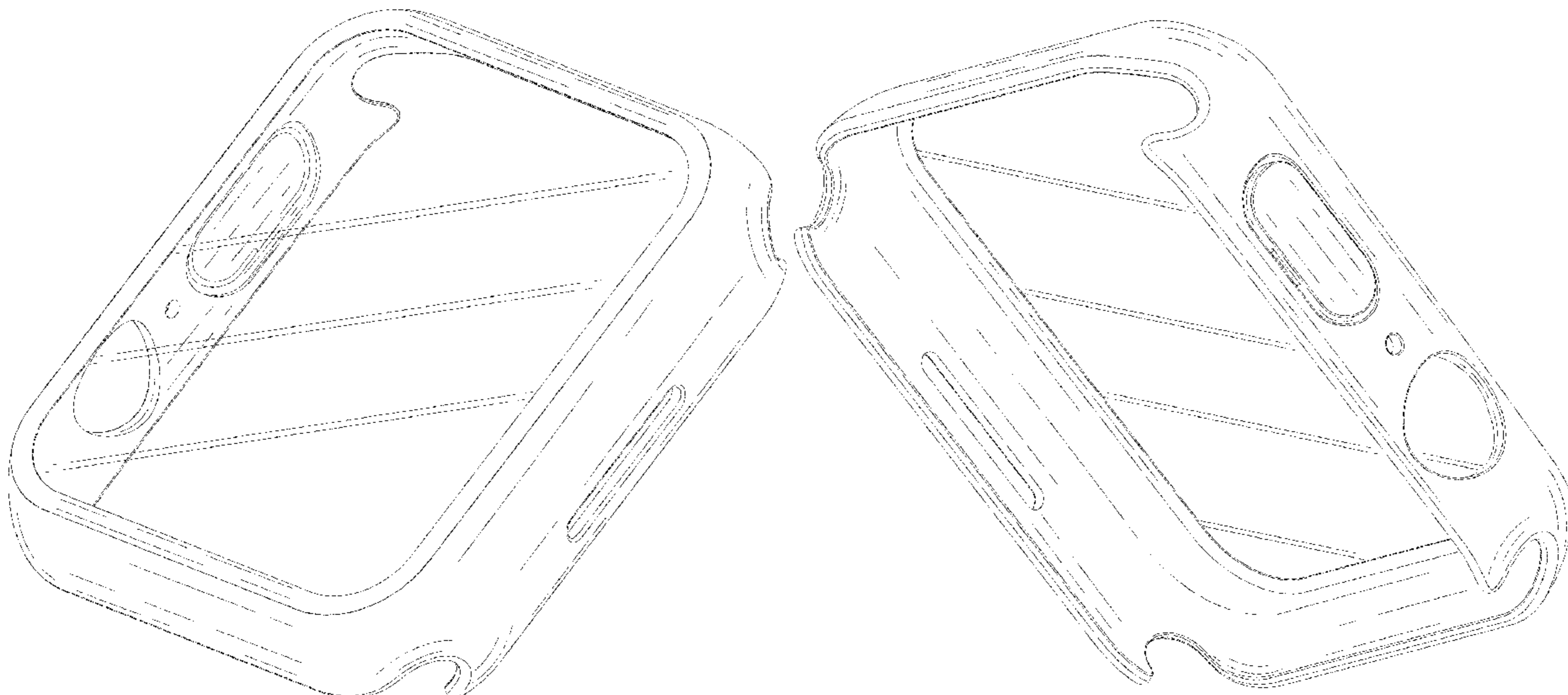
FIG. 5 is a left side view thereof;

FIG. 6 is a right side view thereof;

FIG. 7 is a top plan view thereof; and,

FIG. 8 is a bottom plan view thereof.

1 Claim, 8 Drawing Sheets



(56)

References Cited

U.S. PATENT DOCUMENTS

D970,500 S * 11/2022 Tang D14/344
D971,028 S * 11/2022 Lee D10/30
D971,208 S * 11/2022 Hu D14/344
2019/0045642 A1* 2/2019 Prest H05K 5/006
2022/0163925 A1* 5/2022 You G04B 37/005

* cited by examiner

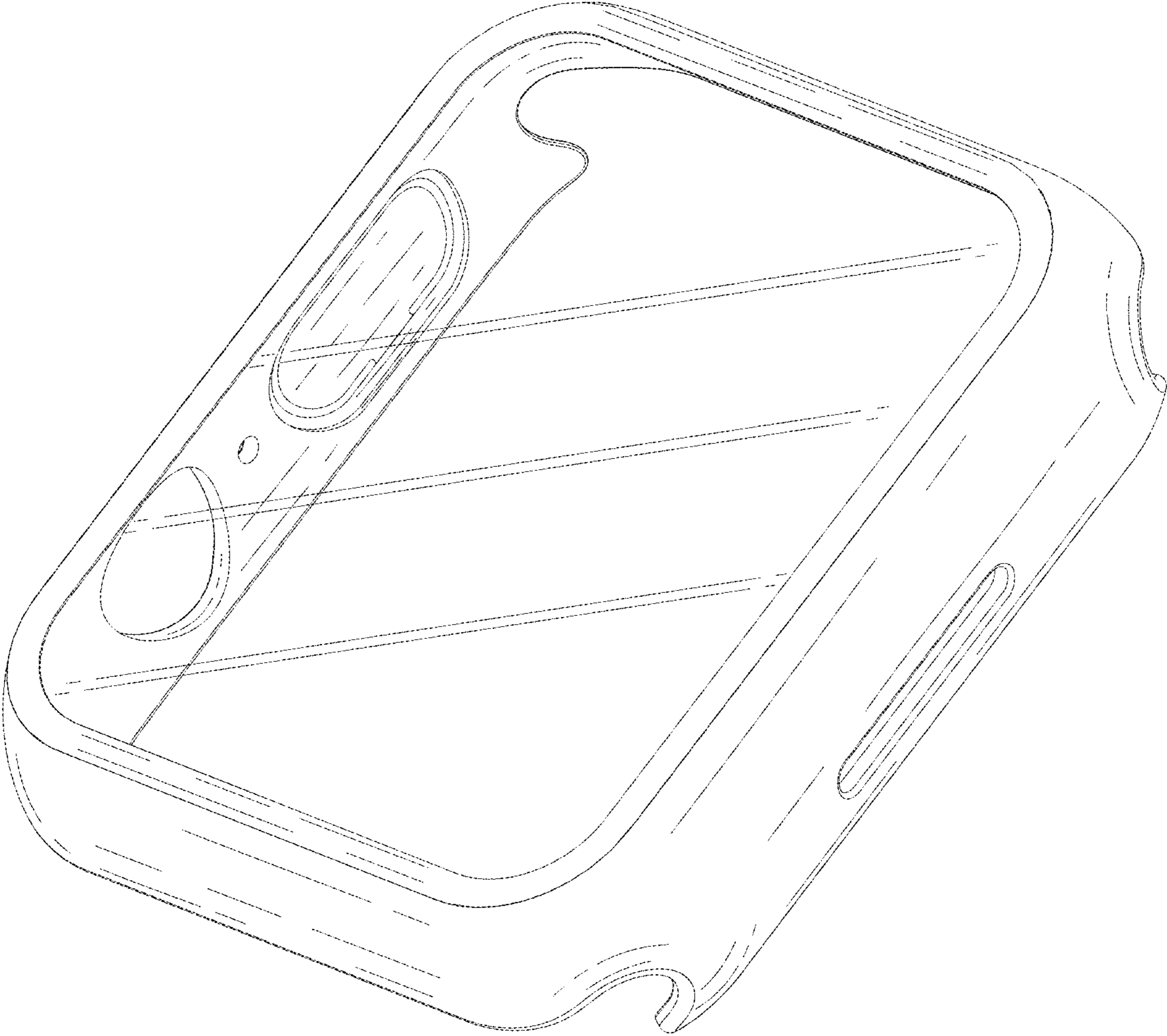


FIG. 1

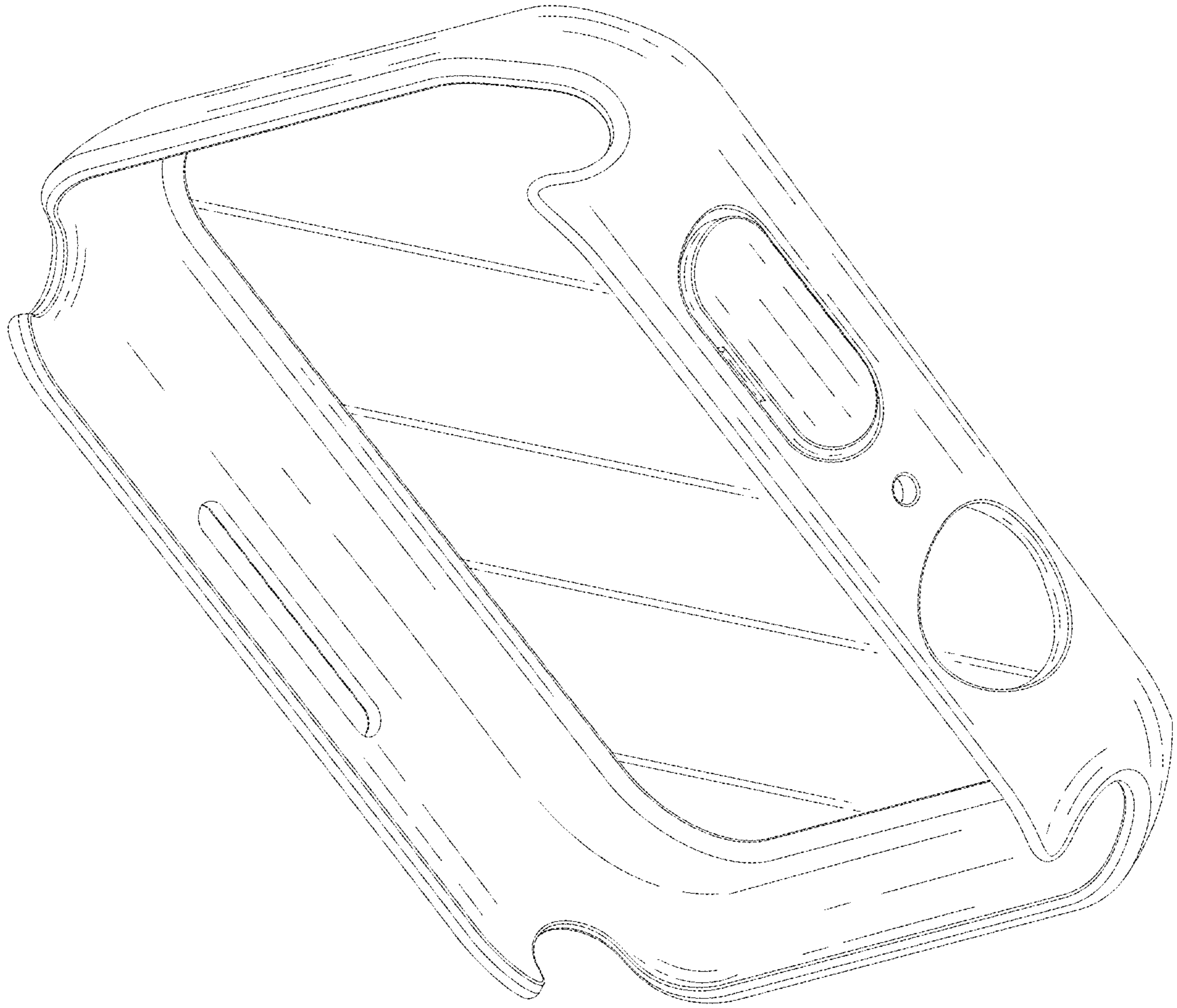


FIG. 2

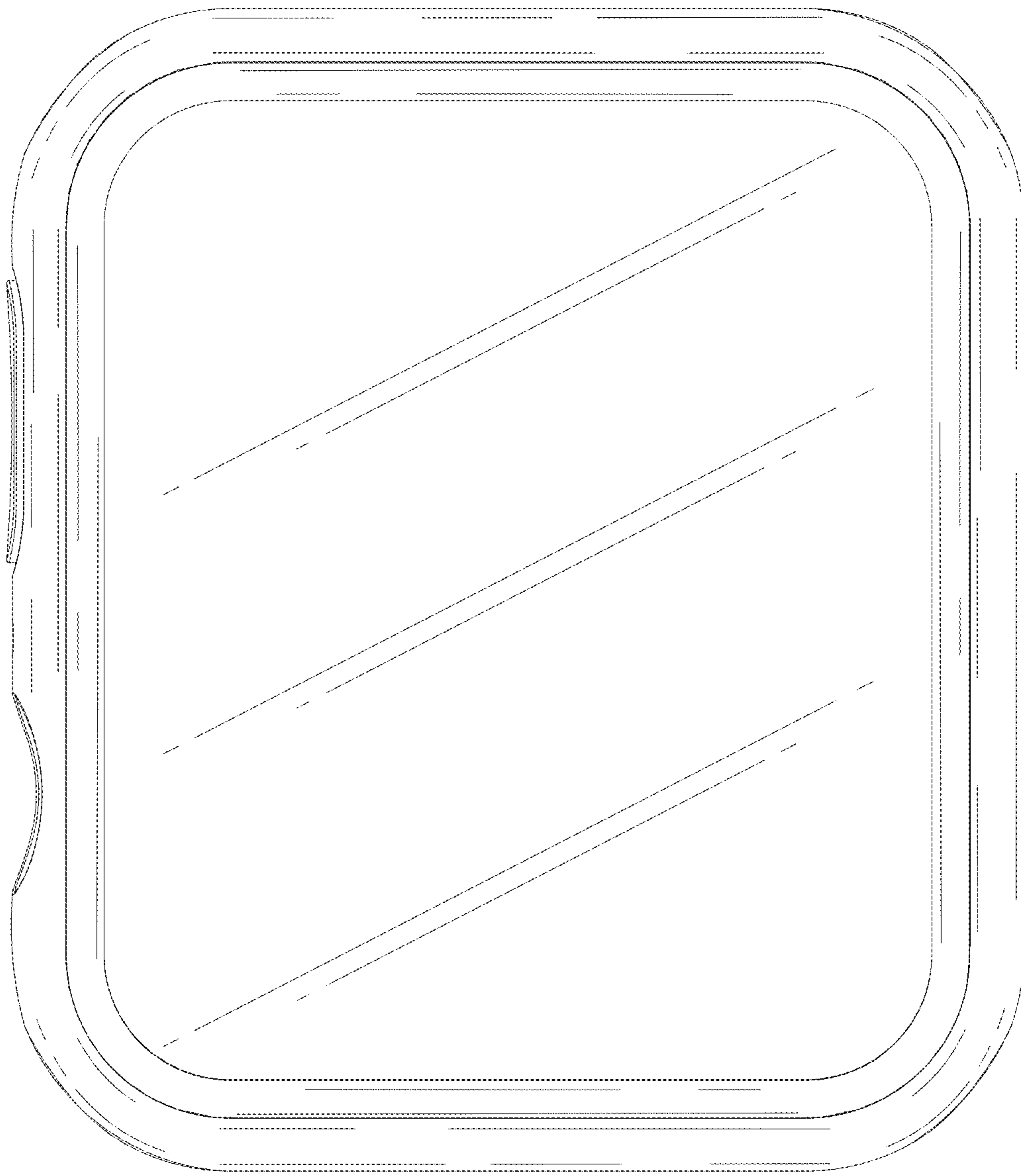


FIG. 3

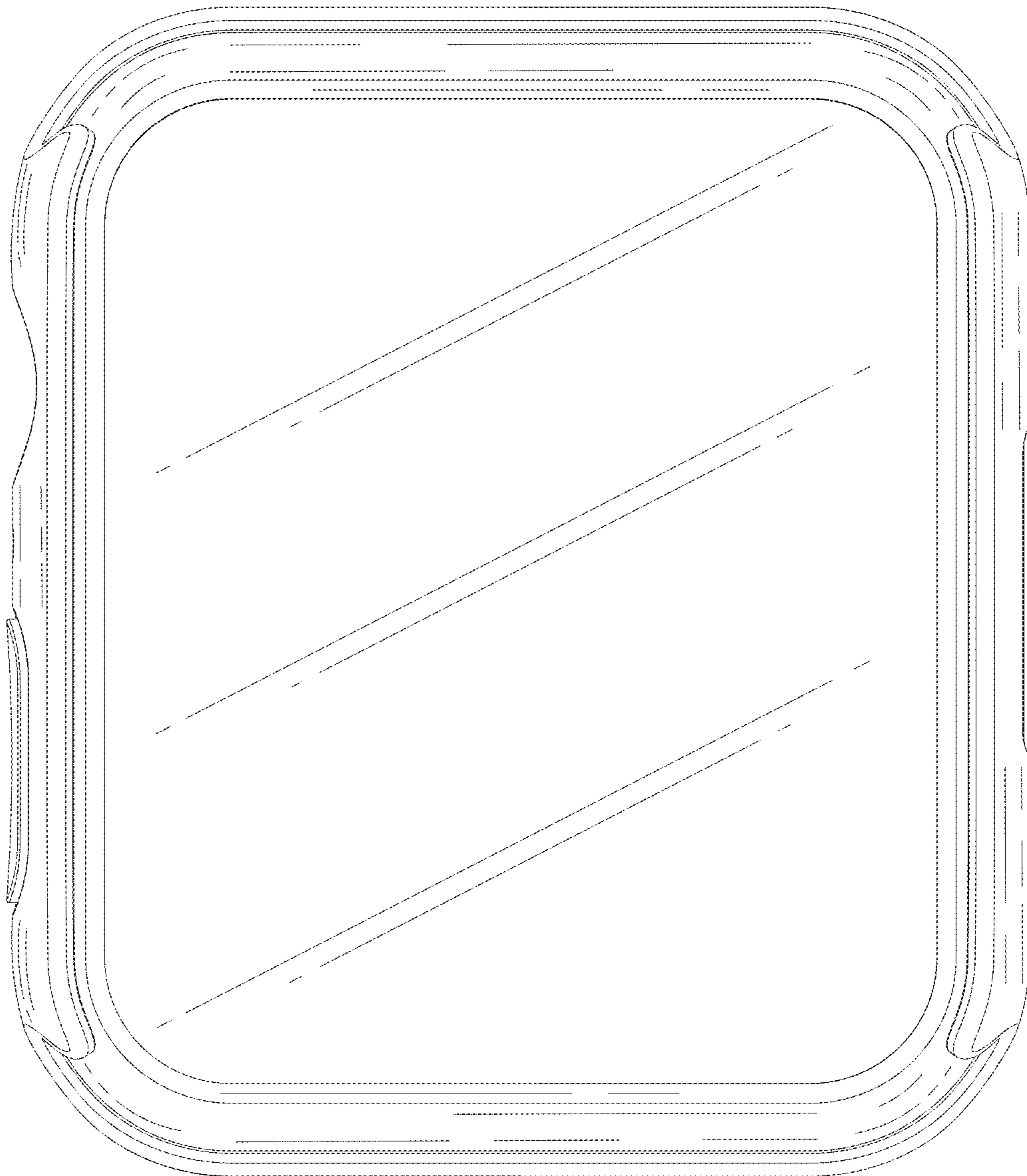


FIG. 4

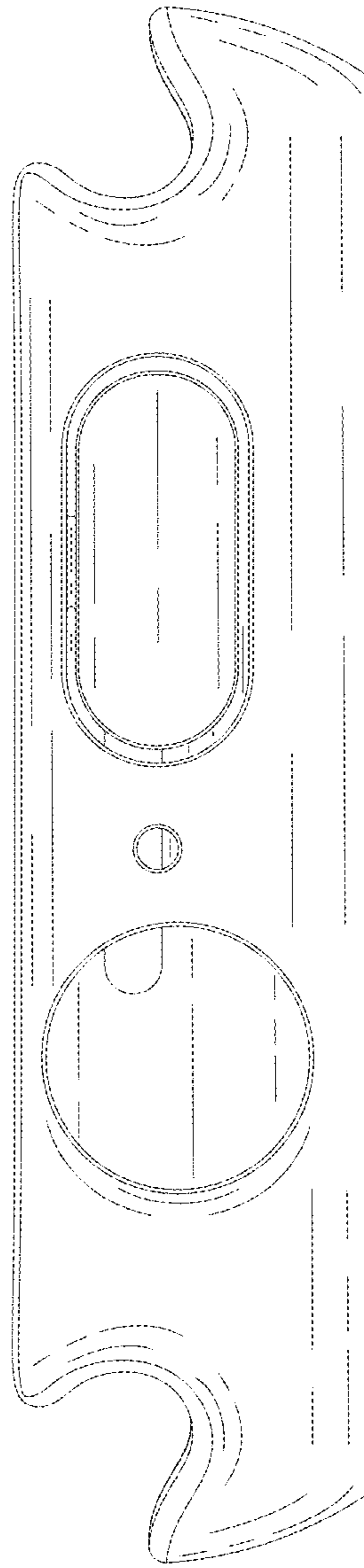


FIG. 5

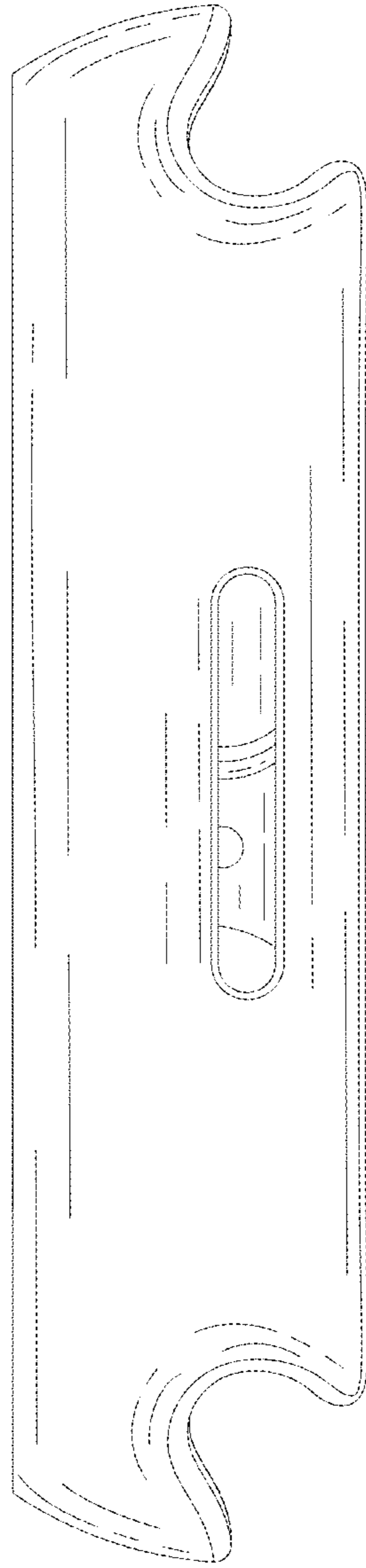


FIG. 6

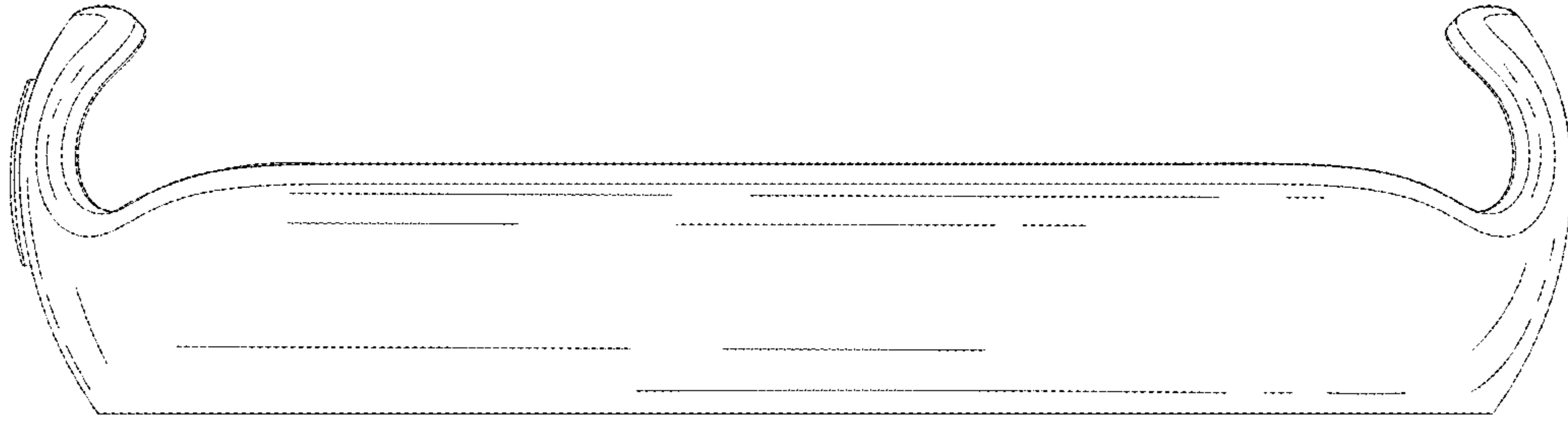


FIG. 7

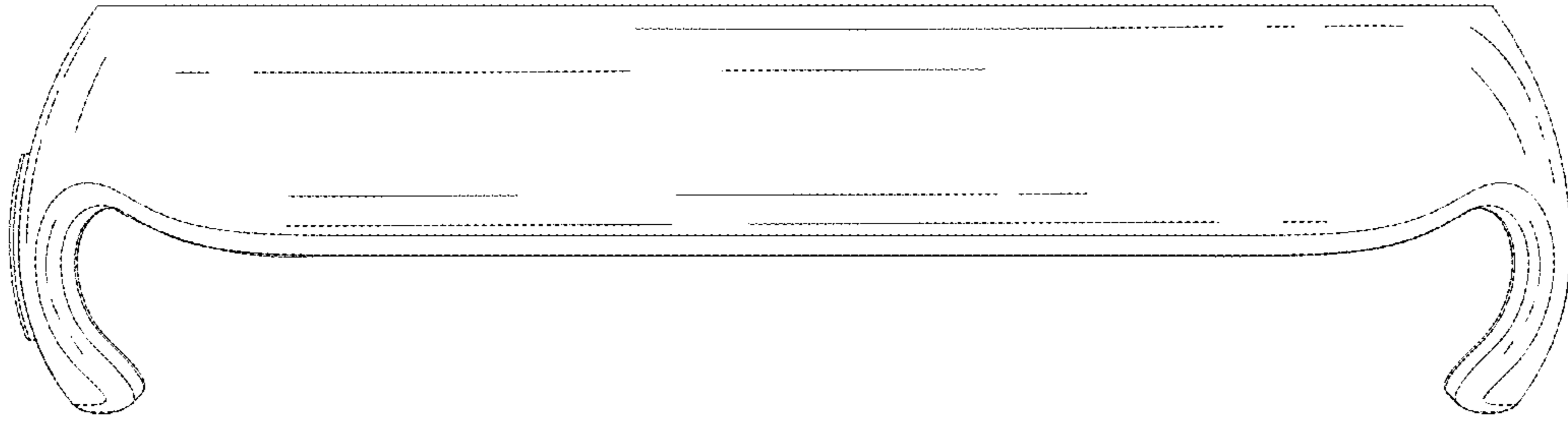


FIG. 8