



US00D985549S

(12) **United States Design Patent** (10) **Patent No.:** **US D985,549 S**  
**Chen** (45) **Date of Patent:** **\*\* May 9, 2023**

- (54) **PHONE CASE**
- (71) Applicant: **UBSON INDUSTRY (SHENZHEN) CO., LIMITED**, Shenzhen (CN)
- (72) Inventor: **Jiqin Chen**, Shenzhen (CN)
- (73) Assignee: **UBSON INDUSTRY (SHENZHEN) CO., LIMITED**, Shenzhen (CN)
- (\*\*) Term: **15 Years**
- (21) Appl. No.: **29/779,986**
- (22) Filed: **Apr. 22, 2021**
- (51) **LOC (14) Cl.** ..... **14-03**
- (52) **U.S. Cl.**  
USPC ..... **D14/250**
- (58) **Field of Classification Search**  
USPC ..... D14/203.3, 203.4, 203.5, 203.6, 203.7, D14/439, 447, 251, 252, 253, 217, 240, D14/248, 238.1, 250, 440; D13/103, 107, D13/108, 119; D3/201, 218, 247, 249, D3/269, 273, 301, 303  
CPC ..... A45C 11/00; A45C 2011/002; A45C 1/06; A45C 13/02; A45F 2200/0525; A45F 2005/026; A45F 2200/0516; H04M 1/0283; H04M 1/0202; H04B 1/3888  
See application file for complete search history.

D776,646 S *	1/2017	Deng	.....	D14/250
9,661,116 B1 *	5/2017	Chung	.....	H04M 1/185
D794,007 S *	8/2017	Zhang	.....	D14/250
D827,629 S *	9/2018	Yu	.....	D14/250
D829,202 S *	9/2018	Ma	.....	D3/249
D830,352 S *	10/2018	Chung	.....	D14/250
D830,354 S *	10/2018	Deng	.....	D3/249
D830,356 S *	10/2018	Deng	.....	D14/250
D835,087 S *	12/2018	Wilder	.....	D14/172
10,511,342 B1 *	12/2019	Chung	.....	H04M 1/0202
D871,759 S *	1/2020	Ma	.....	D3/249
D905,039 S *	12/2020	Zhao	.....	D14/250
D906,325 S *	12/2020	Zhao	.....	D14/250
D939,493 S *	12/2021	Liu	.....	D14/250
D973,048 S *	12/2022	Zhao	.....	D14/250
2010/0122756 A1 *	5/2010	Longinotti-Buitoni	.....	A45C 11/00 150/165

(Continued)

Primary Examiner — Carla J Wright

(57) **CLAIM**

The ornamental design for a phone case, as shown and described.

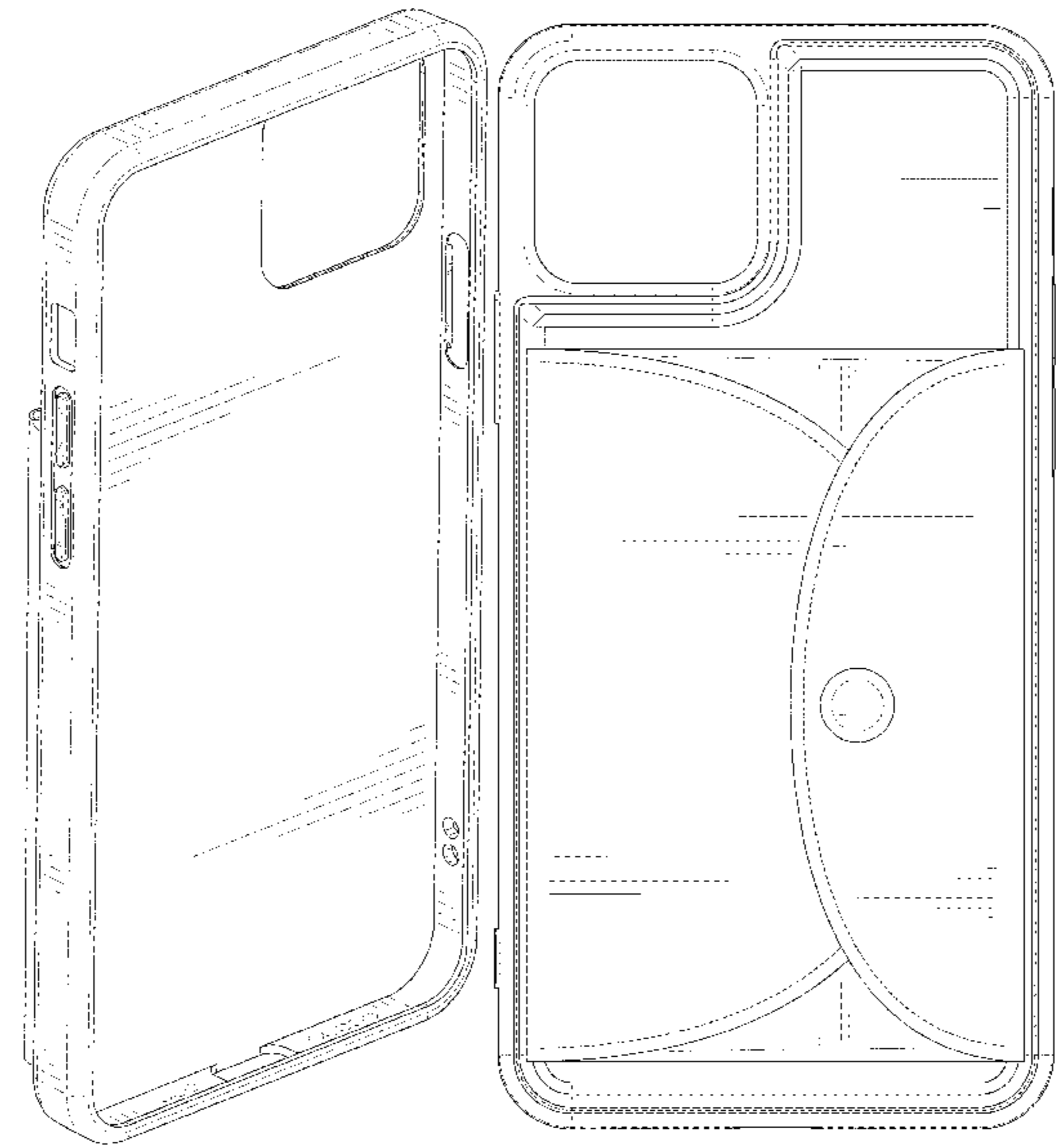
**DESCRIPTION**

FIG. 1 is a perspective view of a phone case showing my new design;  
 FIG. 2 is another perspective view thereof;  
 FIG. 3 is a front elevational view thereof;  
 FIG. 4 is a rear elevational view thereof;  
 FIG. 5 is a left side elevational view thereof;  
 FIG. 6 is a right side elevational view thereof;  
 FIG. 7 is a top plan view thereof; and,  
 FIG. 8 is a bottom plan view thereof.

The short evenly-spaced broken lines in the drawings depict stitching of the phone case that form part of the claimed design. The long evenly-spaced broken lines in the drawings depict portions of the phone case that form no part of the claimed design.

**1 Claim, 8 Drawing Sheets**

- (56) **References Cited**  
U.S. PATENT DOCUMENTS
- D631,246 S \* 1/2011 Boettner ..... D3/218
- D651,791 S \* 1/2012 Cataldo ..... D3/218
- D654,931 S \* 2/2012 Lemelman ..... H02J 7/0045  
D14/496
- D688,654 S \* 8/2013 Stevinson ..... D14/250
- D688,655 S \* 8/2013 Rey-Hipolito ..... D14/250
- D716,045 S \* 10/2014 Requa ..... D3/249
- D759,966 S \* 6/2016 Pignotti ..... D3/247
- D776,101 S \* 1/2017 Poon ..... D14/250



(56)

**References Cited**

U.S. PATENT DOCUMENTS

2018/0191395 A1\* 7/2018 Chung ..... A45C 11/182  
2019/0269212 A1\* 9/2019 Swart ..... A45C 11/182

\* cited by examiner

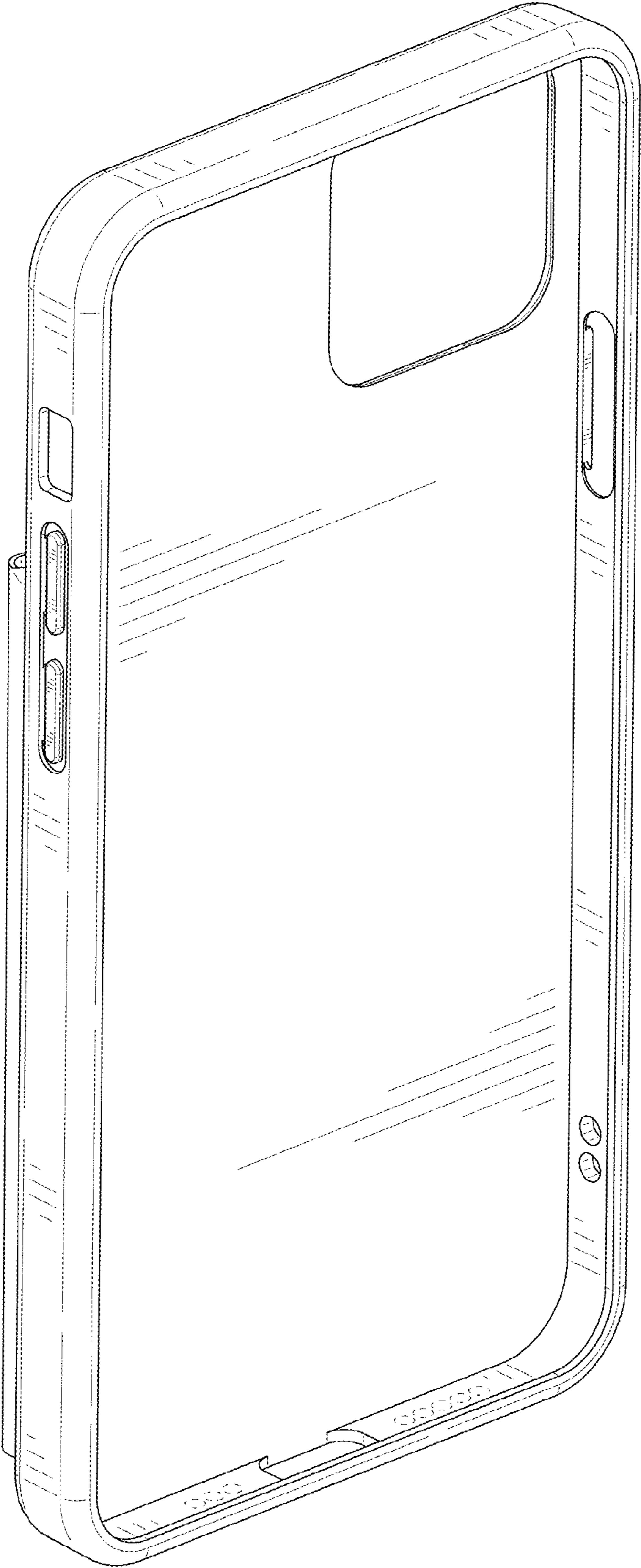


FIG. 1

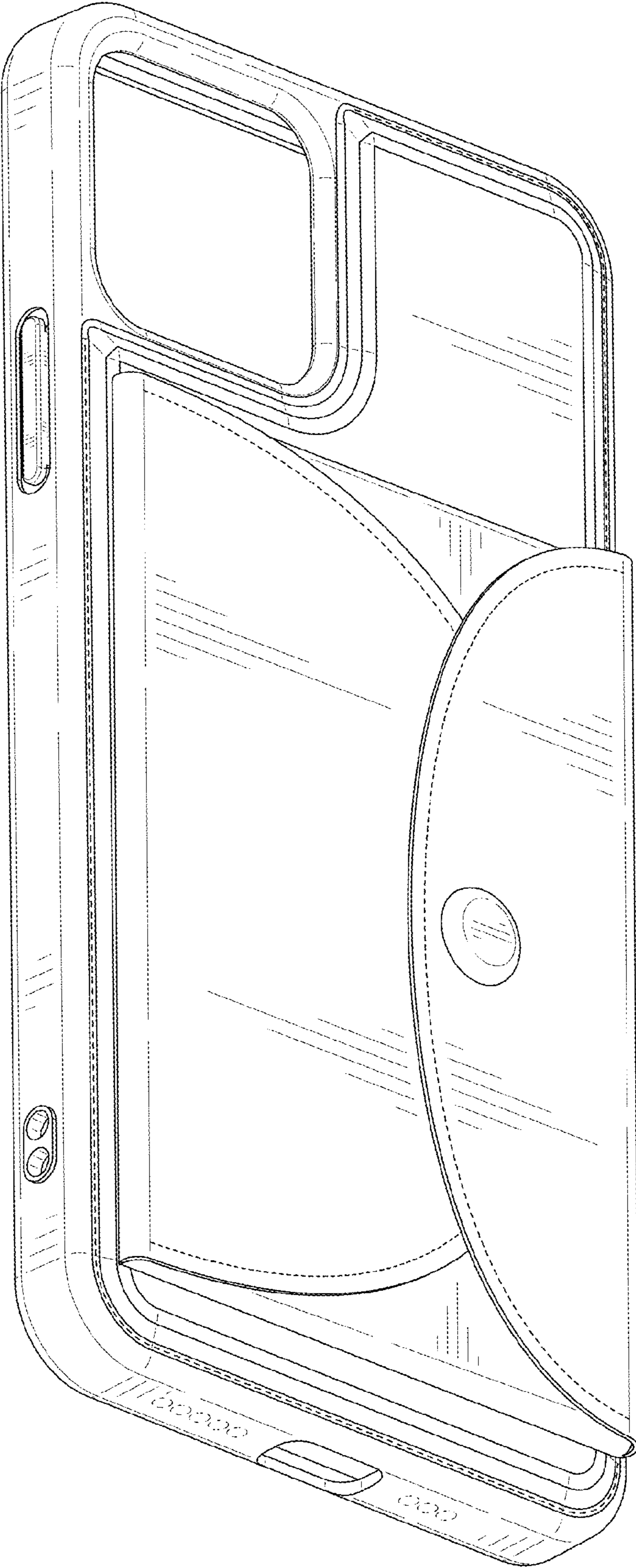


FIG. 2



FIG. 3

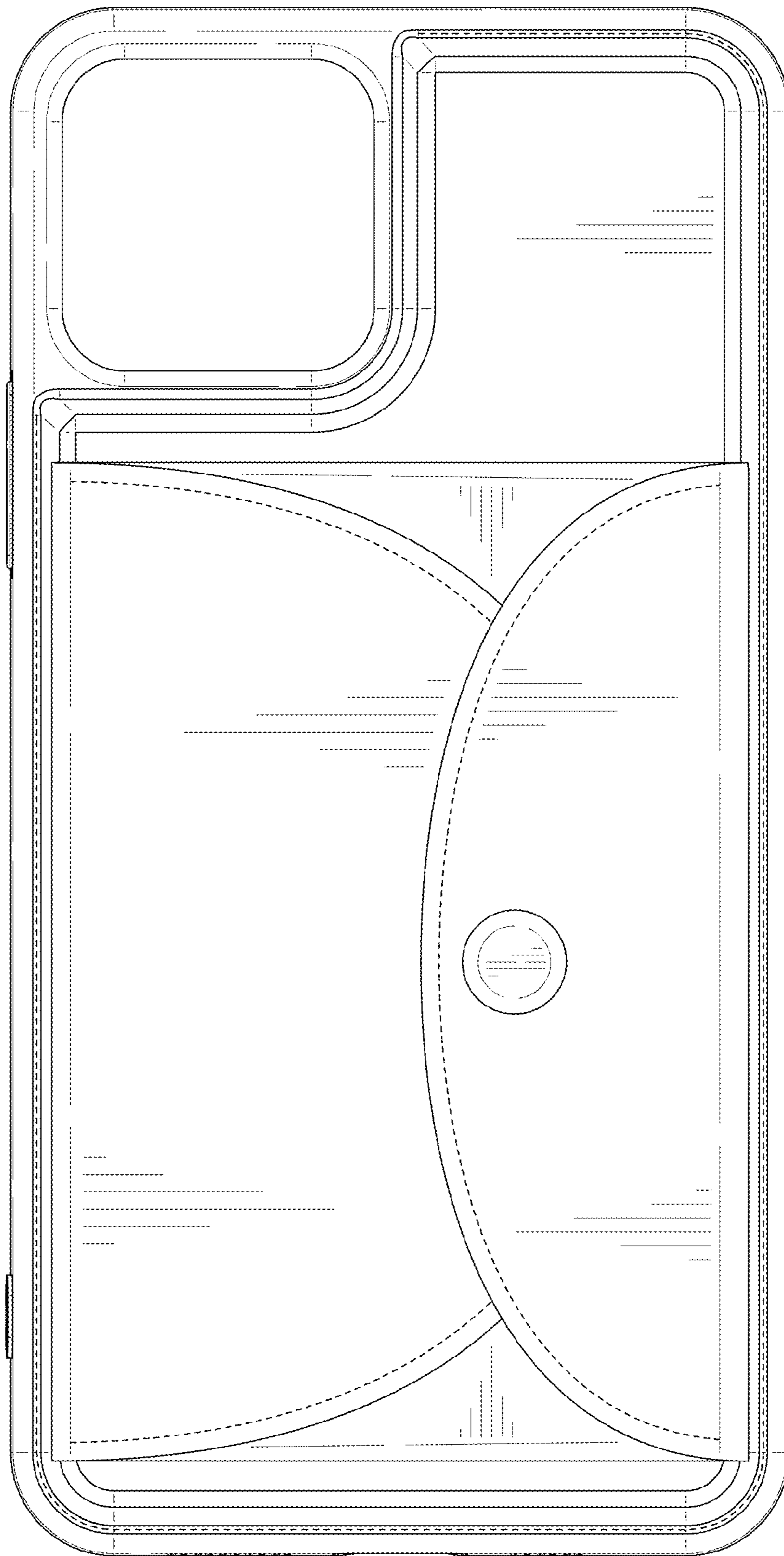


FIG. 4

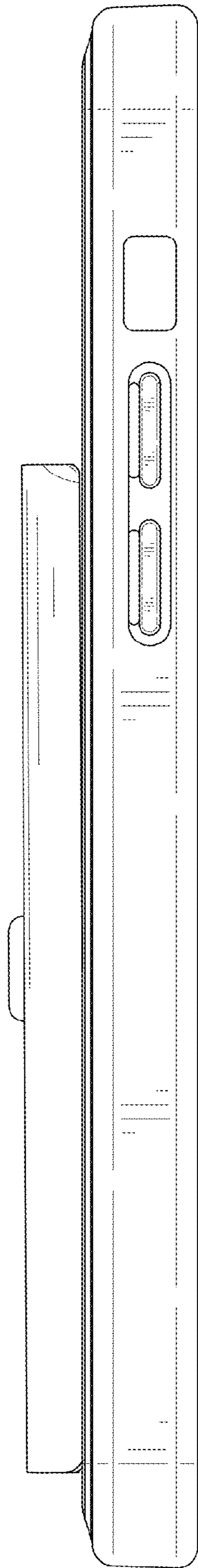


FIG. 5

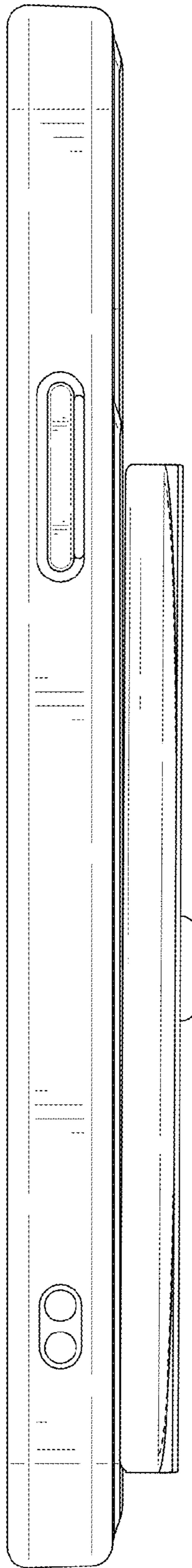


FIG. 6



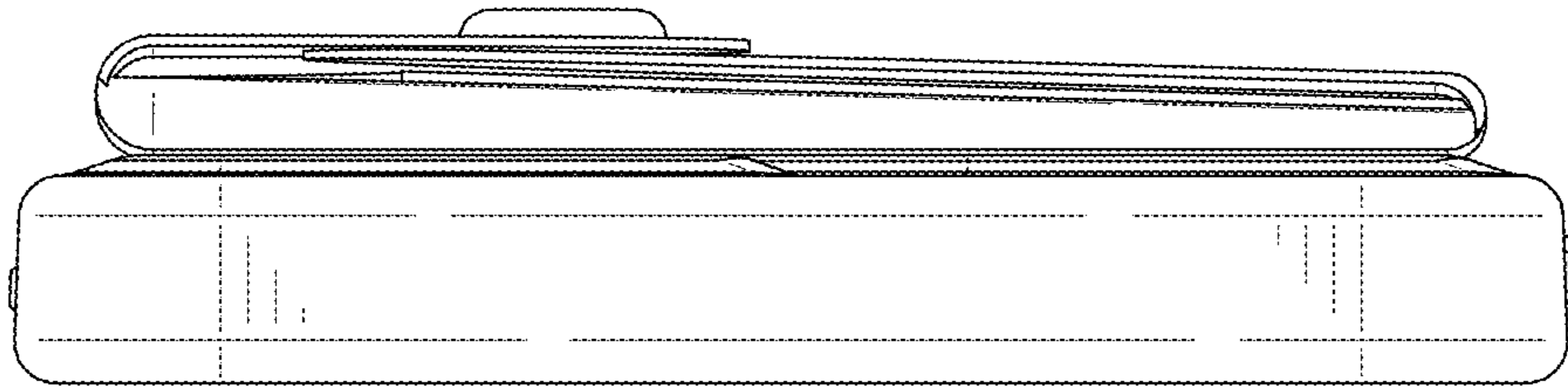


FIG. 7

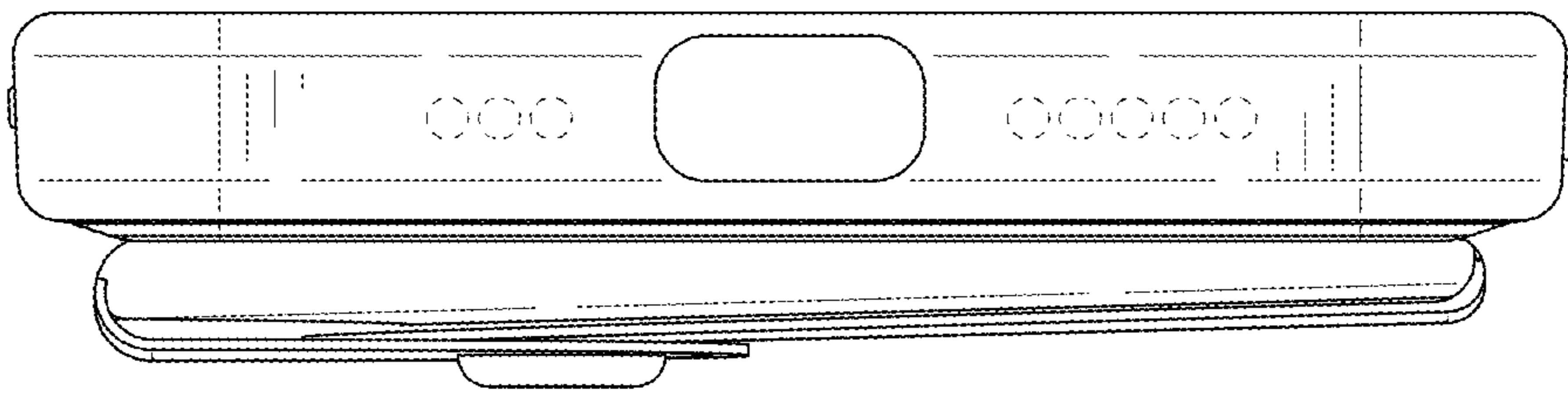


FIG. 8