



US00D985548S

(12) **United States Design Patent**
Koons et al.

(10) **Patent No.:** **US D985,548 S**

(45) **Date of Patent:** **** May 9, 2023**

(54) **MOUNT FOR ELECTRONIC DEVICES**

(71) Applicant: **Innovelis, Inc.**, Sammamish, WA (US)

(72) Inventors: **Katherine Allyce Koons**, Mercer Island, WA (US); **Eric John Wengreen**, Sammamish, WA (US); **Jack Snyder Koby**, Bellevue, WA (US)

(73) Assignee: **Innovelis, Inc.**, Sammamish, WA (US)

(**) Term: **15 Years**

(21) Appl. No.: **29/813,822**

(22) Filed: **Nov. 1, 2021**

(51) **LOC (14) Cl.** **14-99**

(52) **U.S. Cl.**
USPC **D14/238.1**; D6/553; D14/251

(58) **Field of Classification Search**
USPC D14/251–253, 224, 224.1, 447, 451, 452, D14/238, 238.1; D12/114, 415, 426.1, D12/223; D3/218; D13/108; D6/553, D6/567

CPC . B60R 11/00; B60R 11/0241; B60R 11/0252; B60R 2011/0003; B60R 2011/0005; B60R 2011/0008; H04M 1/04; A45C 2011/002; A45C 2011/003; A45F 2200/0516; A45F 2200/0525

See application file for complete search history.

(56) **References Cited**

U.S. PATENT DOCUMENTS

D280,466 S *	9/1985	Seltzer	D6/567
D320,991 S *	10/1991	Nagai	D14/251
D321,885 S *	11/1991	Sheldrake	D14/251
D324,810 S *	3/1992	Moye, Sr.	D3/218
D329,749 S *	9/1992	Scheid	D3/218
D339,690 S *	9/1993	Takahashi	D3/218
D348,355 S *	7/1994	Scheid	D3/218
D351,280 S *	10/1994	Pennington	D3/218

D357,577 S *	4/1995	Scheid	D3/218
D361,462 S *	8/1995	Newham	D6/567
D365,714 S *	1/1996	Masello	D6/567
D371,137 S *	6/1996	Kriegh	D3/218
D392,097 S *	3/1998	Pottala	D3/218
D457,308 S *	5/2002	Infanti	D3/218
D507,871 S *	8/2005	DiMarchi	D3/215
D543,541 S *	5/2007	Chung	D3/218
D544,487 S *	6/2007	Hussaini	D14/496

(Continued)

OTHER PUBLICATIONS

TotalMount Holder for Apple TV Remote . . . [online]. Date first available Mar. 14, 2022. [Retrieved from the Internet Mar. 9, 2023.] <URL: <https://www.amazon.com/TotalMount-Remote-Safeguards-Charges-Controls/dp/B0742JR8PD> >.*

(Continued)

Primary Examiner — Rebekah A Caruso

(57) **CLAIM**

The ornamental design for a mount for electronic devices, as shown and described.

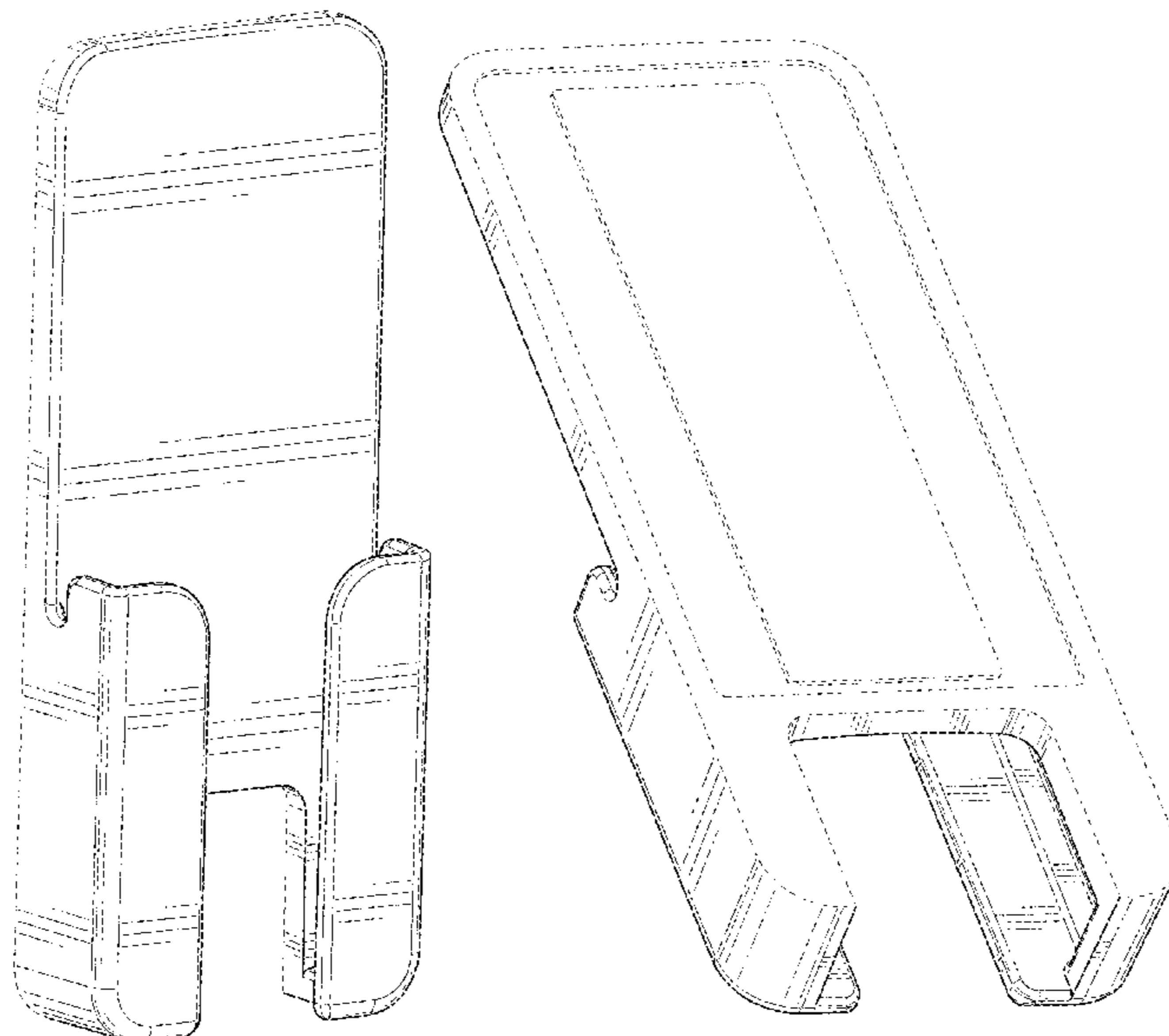
DESCRIPTION

FIG. 1 is a front, first side, and top perspective view of a mount for electronic devices embodying the new design; FIG. 2 is a back, second side, and bottom perspective view thereof;

FIG. 3 is a front view thereof; FIG. 4 is a back view thereof; FIG. 5 is a first side view thereof; FIG. 6 is a second side view thereof; FIG. 7 is a bottom view thereof; and, FIG. 8 is a top view thereof.

The uniform repeating broken lines depict portions of a mount for electronic devices in which the claimed design is embodied and form no part of the claimed design.

1 Claim, 8 Drawing Sheets



(56)

References Cited

U.S. PATENT DOCUMENTS

D547,863 S * 7/2007 Heinsch D24/128
 D610,579 S * 2/2010 Behar D3/201
 D614,427 S 4/2010 Nejad
 D627,340 S 11/2010 Lan
 D627,771 S * 11/2010 Smith D14/253
 D643,659 S 8/2011 Choi
 D655,702 S * 3/2012 Saxton D12/422
 D662,502 S 6/2012 Wesolek
 D683,954 S * 6/2013 Izen D3/218
 D710,340 S * 8/2014 Wengreen D14/238.1
 D710,363 S * 8/2014 Wengreen D8/380
 D716,580 S 11/2014 Wengreen
 8,979,060 B1 * 3/2015 Olsson H04M 1/04
 379/455
 D727,143 S 4/2015 Gomez
 D729,544 S * 5/2015 Wengreen D6/567
 D734,305 S * 7/2015 Wengreen D14/238.1
 D749,597 S 2/2016 Wengreen
 D751,563 S * 3/2016 Wengreen D14/447
 D756,983 S * 5/2016 Karlsson D14/250
 D765,648 S * 9/2016 Starkenburg D12/415
 9,543,082 B1 1/2017 Wengreen
 D779,466 S * 2/2017 Wengreen D14/238.1
 D798,306 S * 9/2017 Wengreen D14/447
 D804,845 S 12/2017 Cockburn
 D807,635 S * 1/2018 Clover D3/218
 D808,188 S 1/2018 Cockburn
 D808,641 S * 1/2018 Clover D3/218
 D824,399 S 7/2018 Wengreen
 D832,858 S 11/2018 Wengreen

D845,027 S 4/2019 Corona
 D845,028 S 4/2019 Corona
 D845,310 S 4/2019 Wengreen
 D845,959 S 4/2019 Wengreen
 D866,465 S * 11/2019 Harrison D8/356
 D877,137 S 3/2020 Engerman
 D882,488 S * 4/2020 Tung D12/415
 D883,755 S 5/2020 Nicholson
 D901,206 S * 11/2020 Dittrich D6/513
 D903,429 S 12/2020 Joseph
 D905,067 S 12/2020 Wengreen
 D905,068 S 12/2020 Wengreen
 D905,069 S 12/2020 Wengreen
 D914,690 S 3/2021 Wengreen
 D914,691 S 3/2021 Wengreen
 D927,499 S 8/2021 Wengreen
 D927,500 S 8/2021 Wengreen
 D936,064 S 11/2021 Wengreen
 D961,914 S * 8/2022 Natsume D3/218

OTHER PUBLICATIONS

TotalMount Apple TV Remote Holder . . . [online]. Date first available Jul. 25, 2017. [Retrieved from the Internet Mar. 9, 2023.] <URL: <https://www.amazon.com/TotalMount-Remote-Safeguards-Charges-Controls/dp/B0742JR8PD> >.*
 Elago Apple TV Remote Holder Mount . . . [online]. Date first available May 29, 2019. [Retrieved from the Internet Mar. 9, 2023.] <URL: <https://www.amazon.com/elago-Apple-Remote-Holder-Mount/dp/B07SB5YDK5?th=1> >.*

* cited by examiner

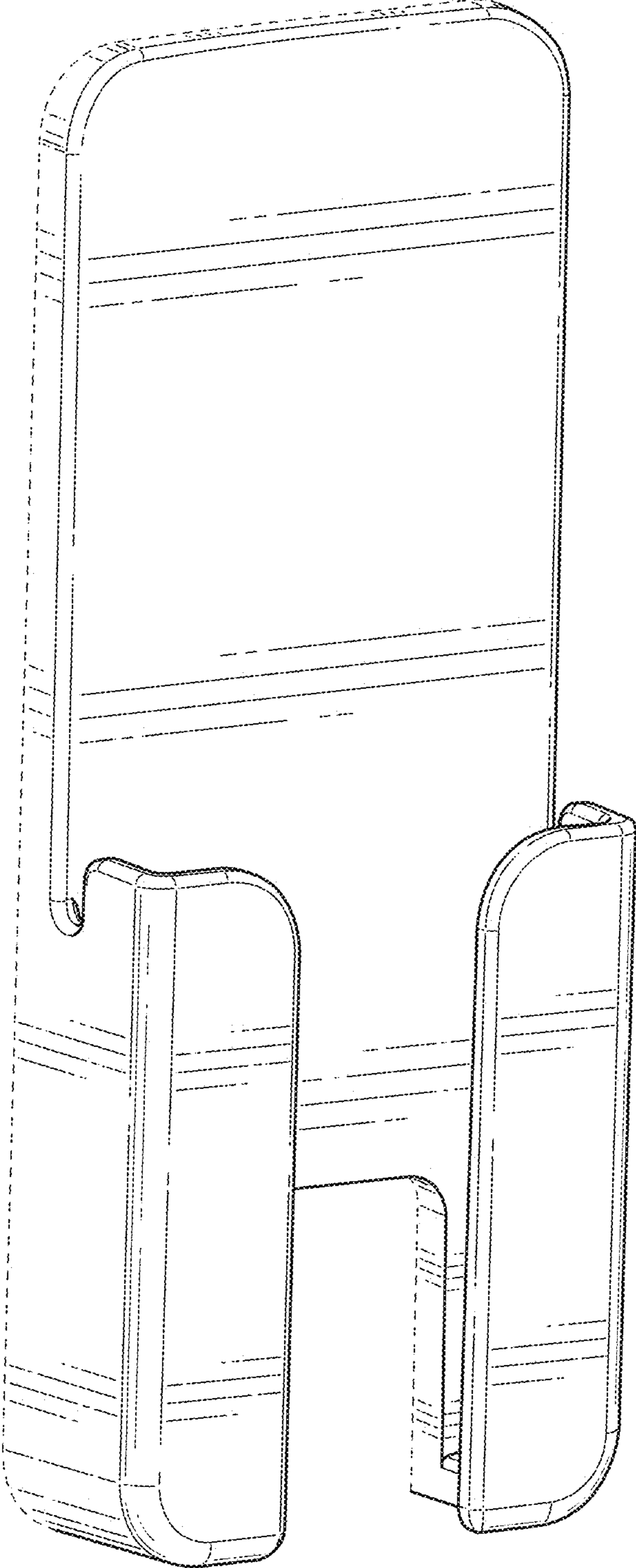


FIG. 1

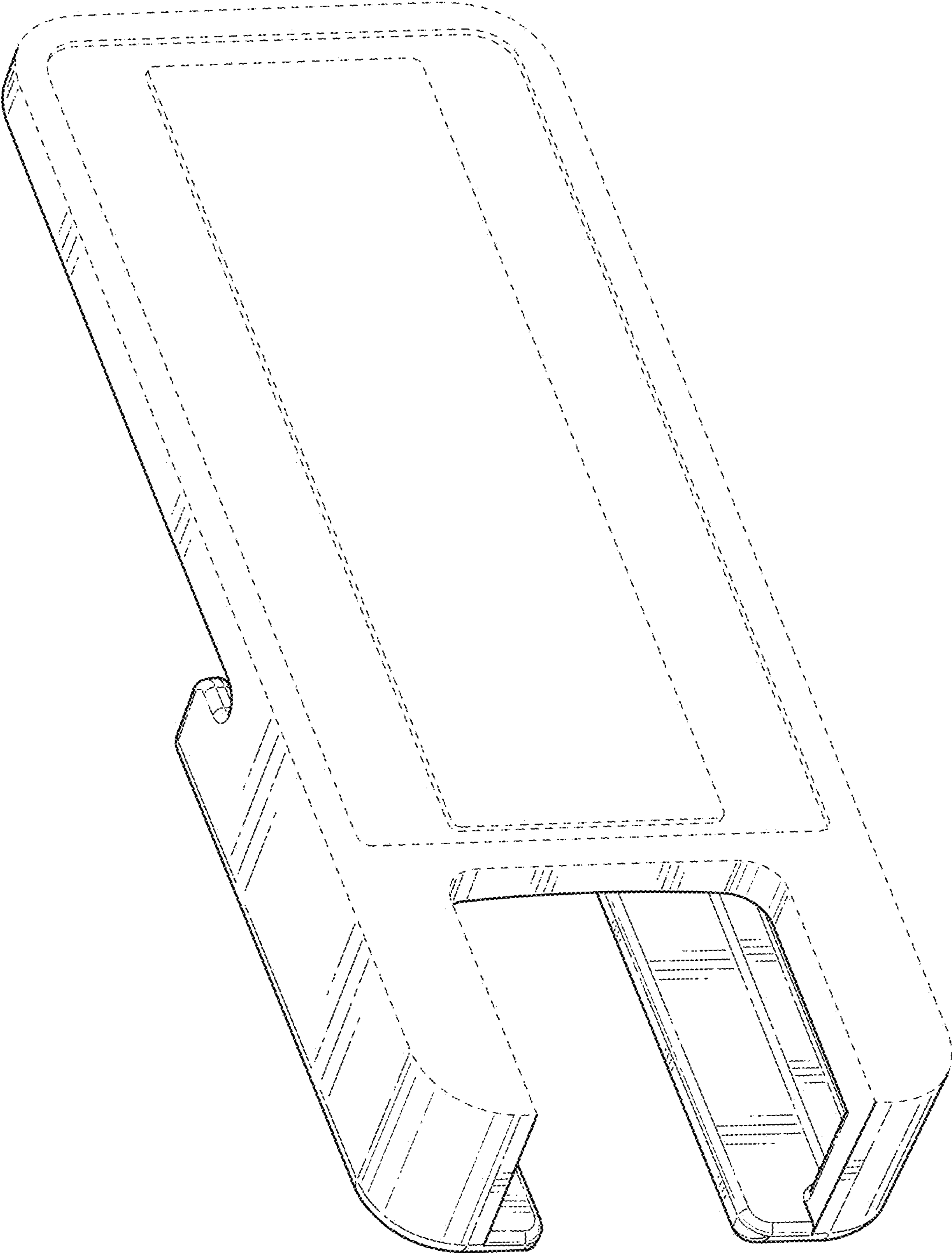


FIG. 2

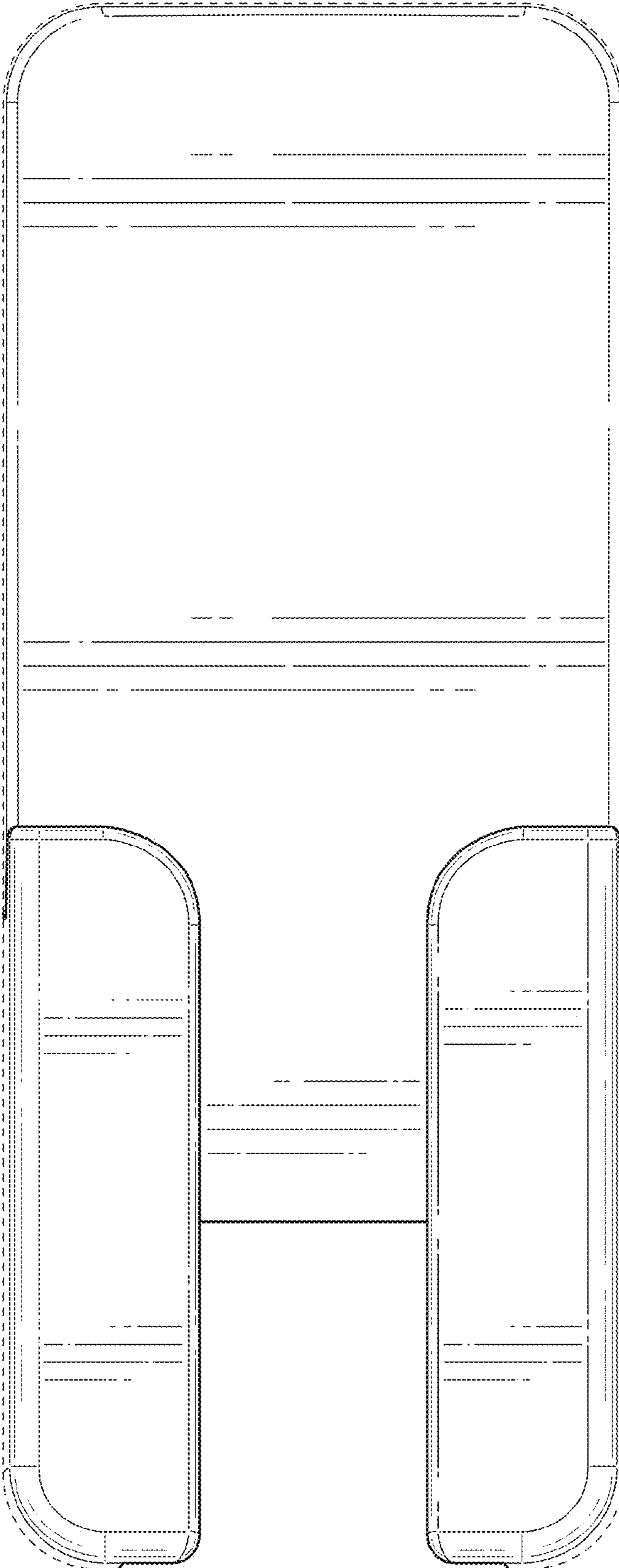


FIG. 3

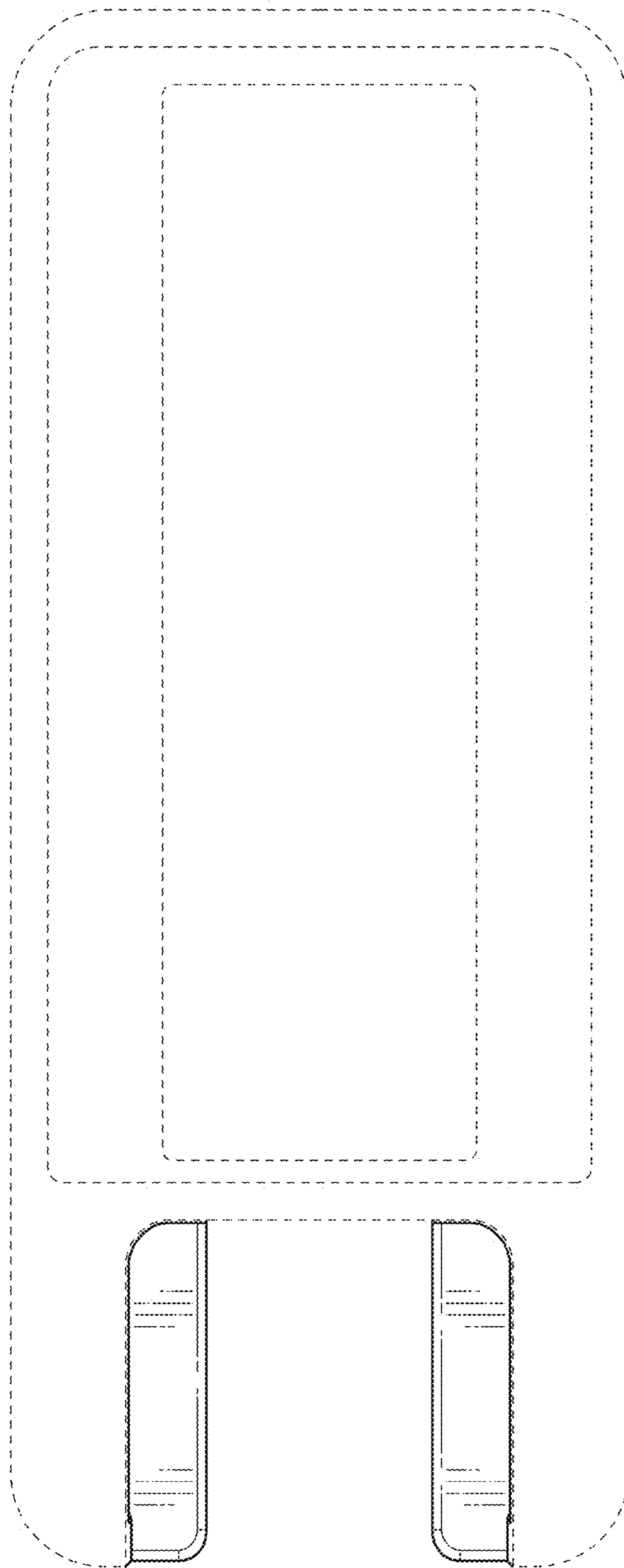


FIG. 4

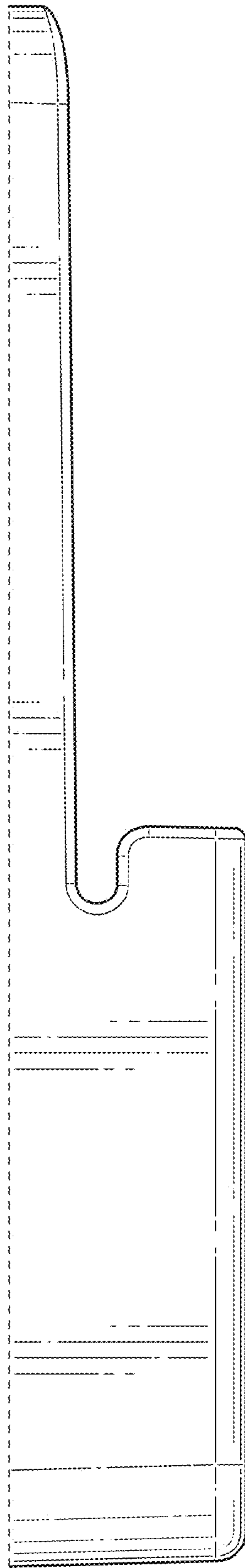


FIG. 5

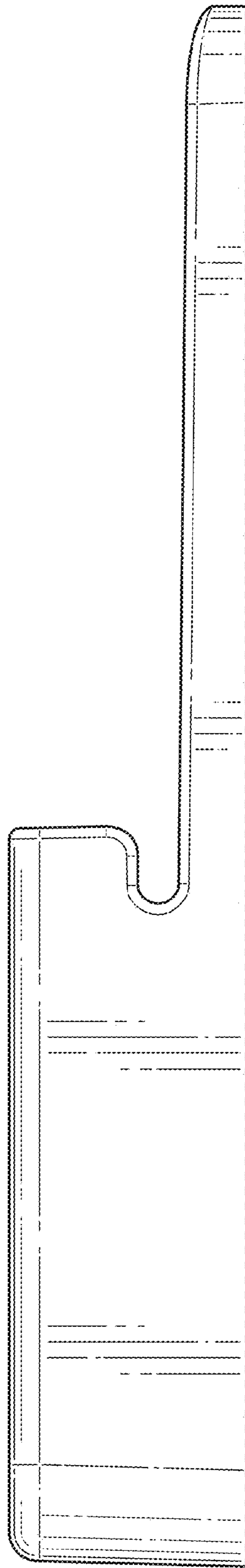


FIG. 6

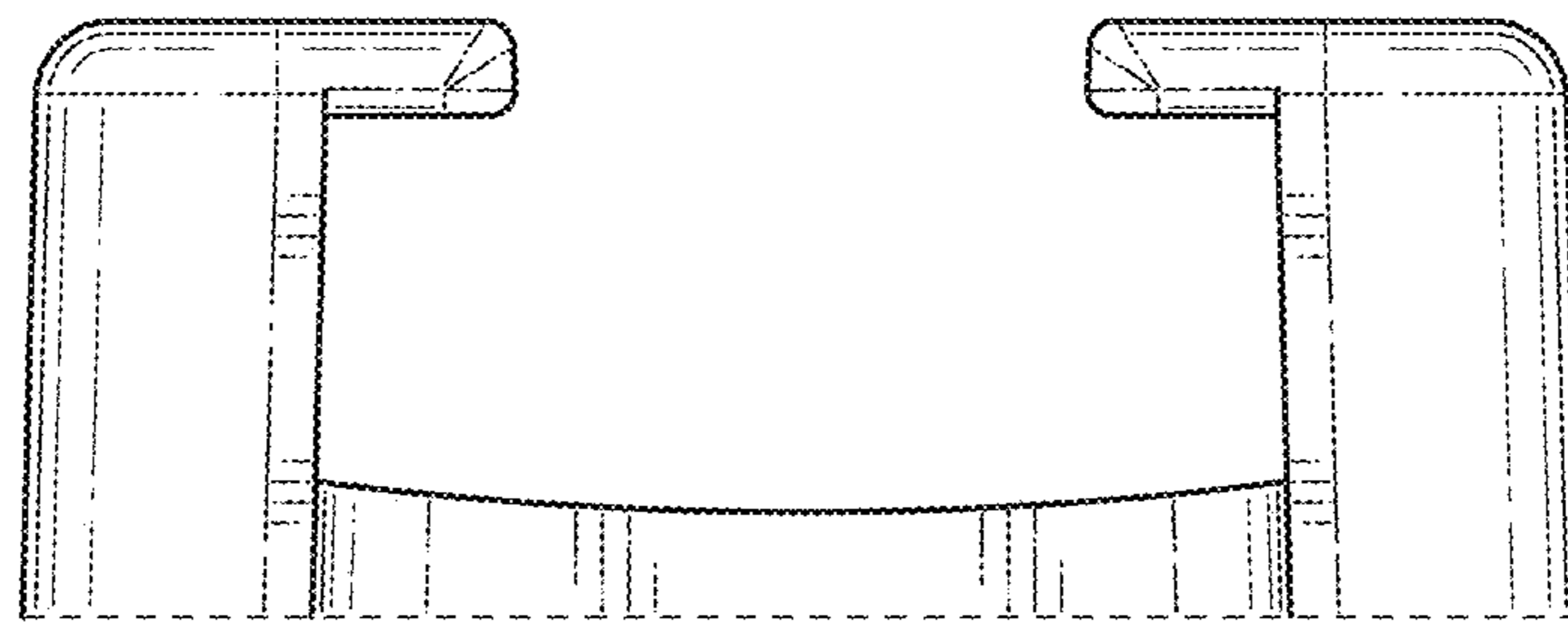


FIG. 7

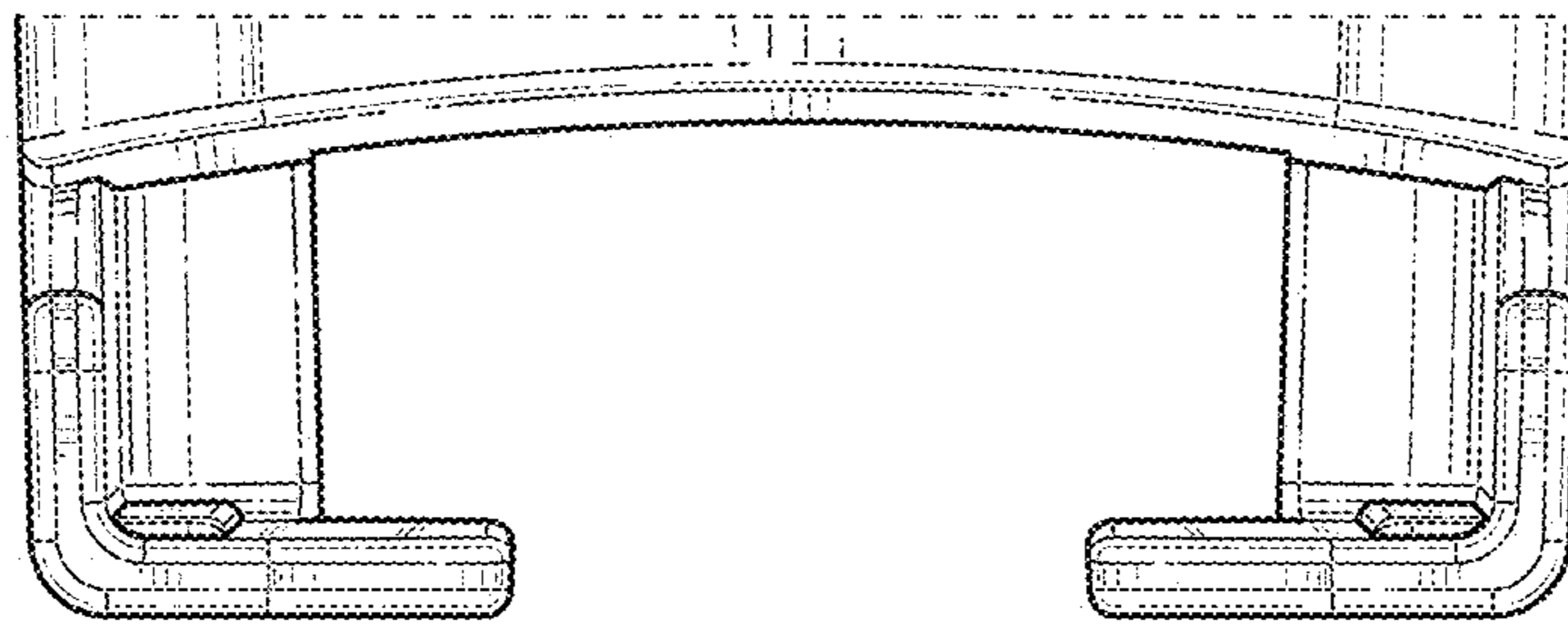


FIG. 8