



US00D985544S

(12) **United States Design Patent** (10) **Patent No.:** **US D985,544 S**  
**Lu** (45) **Date of Patent:** **\*\* \*May 9, 2023**

(54) **USB GAIN-ADJUSTABLE MICROPHONE**

(71) Applicant: **Jun Lu**, Guangdong (CN)

(72) Inventor: **Jun Lu**, Guangdong (CN)

(\*) Notice: This patent is subject to a terminal disclaimer.

(\*\*) Term: **15 Years**

(21) Appl. No.: **29/697,339**

(22) Filed: **Jul. 8, 2019**

(30) **Foreign Application Priority Data**

May 13, 2019 (CN) ..... 201930230841.5

(51) **LOC (14) Cl.** ..... **14-01**

(52) **U.S. Cl.**  
USPC ..... **D14/228**

(58) **Field of Classification Search**

USPC ..... D14/225, 227, 228, 496; D13/108, 110, D13/168

CPC . H04R 25/00; H04R 1/02; H04R 5/02; H04R 9/08; H04R 2420/07; H04R 1/08; F16M 11/38; F16M 13/00

See application file for complete search history.

(56) **References Cited**

**U.S. PATENT DOCUMENTS**

D277,852 S *	3/1985	Watson	.....	D14/228
D295,759 S *	5/1988	Kolich	.....	D17/10
D376,803 S *	12/1996	Lee	.....	D14/497
D594,856 S *	6/2009	Marshall	.....	D14/228
D694,960 S *	12/2013	Shibahara	.....	D29/117.1
D708,179 S *	7/2014	Andre	.....	D14/318
D745,494 S *	12/2015	Wise	.....	D14/227
D748,610 S *	2/2016	Smith	.....	D14/225
D751,533 S *	3/2016	Godfrey	.....	D14/228

D774,494 S *	12/2016	Sunwoo	.....	D14/227
D791,742 S *	7/2017	Lai	.....	D14/225
D825,612 S *	8/2018	Anzures	.....	D14/488
D834,004 S *	11/2018	Chen	.....	D14/226
D834,005 S *	11/2018	Sunwoo	.....	D14/227
D834,564 S *	11/2018	Chen	.....	D14/226
D834,566 S *	11/2018	Sunwoo	.....	D14/227
D835,612 S *	12/2018	Tong	.....	D14/225
D842,278 S *	3/2019	Tong	.....	D14/227
D849,721 S *	5/2019	Chen	.....	D14/227
D850,423 S *	6/2019	Chen	.....	D14/227
D851,073 S *	6/2019	Tong	.....	D14/227
D859,370 S *	9/2019	Slaton	.....	D14/225
D864,922 S *	10/2019	Mai	.....	D14/227
D868,754 S *	12/2019	Chou	.....	D14/225
D881,168 S *	4/2020	Chen	.....	D14/228
D881,169 S *	4/2020	Renwick	.....	D14/228
D889,442 S *	7/2020	Bovin	.....	D14/228

(Continued)

**FOREIGN PATENT DOCUMENTS**

CA	175145	*	8/2018
CA	199940	*	3/2022

(Continued)

*Primary Examiner* — Paula Allen Greene

(74) *Attorney, Agent, or Firm* — Justin Lampel

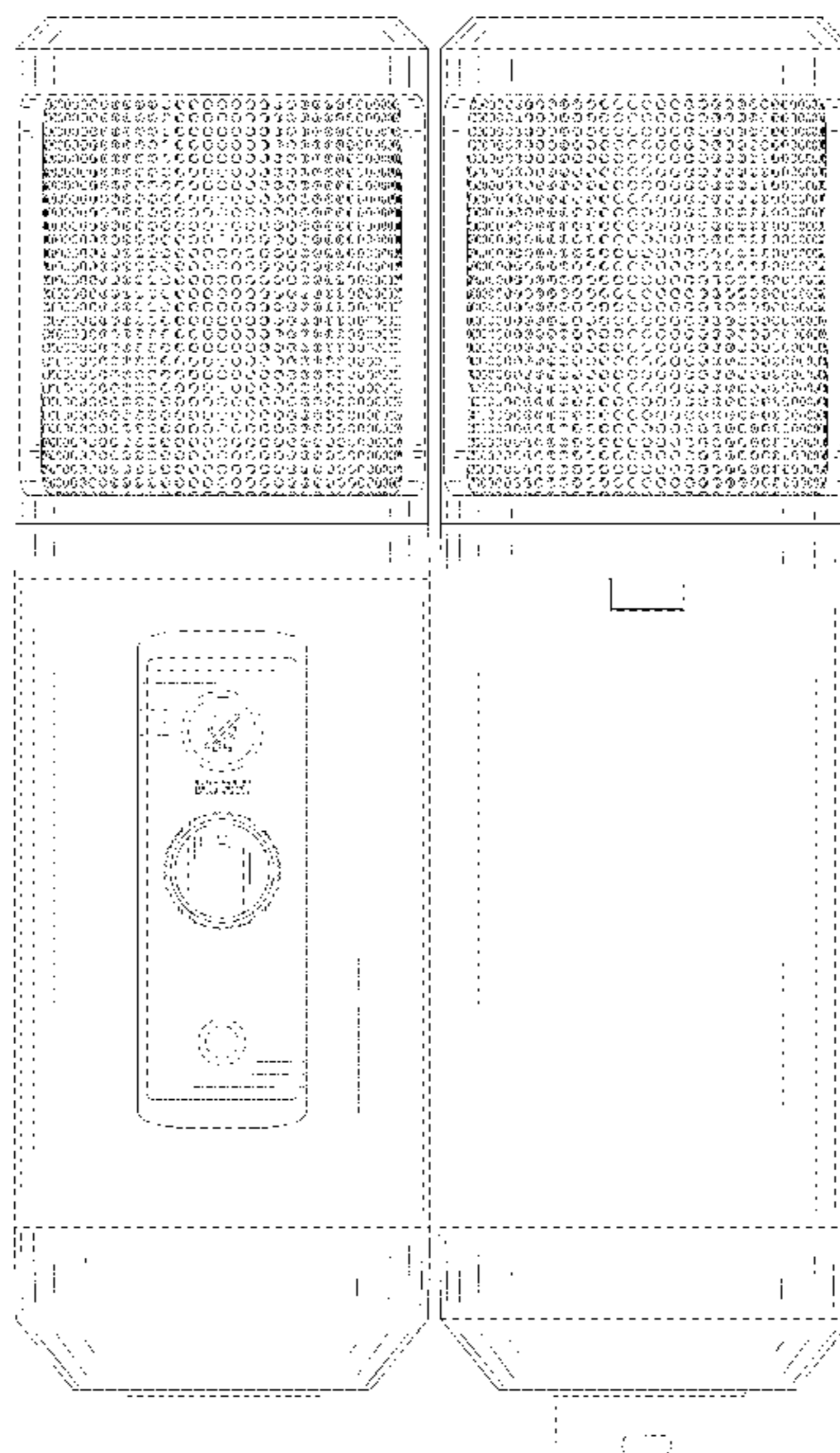
(57) **CLAIM**

The ornamental design for the USB gain-adjustable microphone, as shown and described.

**DESCRIPTION**

FIG. 1 is a front side of a USB gain-adjustable microphone; FIG. 2 is a right side view thereof; FIG. 3 is a back view thereof; FIG. 4 is a left side view thereof; and, FIG. 5 is a bottom view thereof. The broken lines depict portions of the USB gain adjustable microphone and forms no part of the claimed design.

**1 Claim, 5 Drawing Sheets**



(56)

**References Cited**

U.S. PATENT DOCUMENTS

D890,141	S	*	7/2020	Chen	.....	D14/228
D890,732	S	*	7/2020	Chen	.....	D14/227
D892,090	S	*	8/2020	Xiang	.....	D14/228
D895,583	S	*	9/2020	Smith	.....	D14/227
D898,001	S	*	10/2020	Chen	.....	D14/228
D898,771	S	*	10/2020	You	.....	D14/497
D917,429	S	*	4/2021	Xiang	.....	D14/228
D917,430	S	*	4/2021	Mai	.....	D14/228
D917,433	S	*	4/2021	Wang	.....	D14/228
D918,184	S	*	5/2021	Xiang	.....	D14/228
D925,505	S	*	7/2021	Wang	.....	D14/228
D925,506	S	*	7/2021	Wang	.....	D14/228
D946,556	S	*	3/2022	Mai	.....	D14/228
D951,921	S	*	5/2022	Li	.....	D14/225
2008/0152174	A1	*	6/2008	Marshall	.....	H04R 19/04 381/172
2010/0208929	A1	*	8/2010	Heil	.....	H04R 11/04 381/355
2011/0044477	A1	*	2/2011	Huang	.....	H04R 1/083 381/122
2017/0149121	A1	*	5/2017	Zachara	.....	H01Q 1/27
2020/0208929	A1	*	7/2020	Corso	.....	F41A 9/71

FOREIGN PATENT DOCUMENTS

CN	305552226	*	1/2020
CN	305920661	*	7/2020
CN	306978926	*	12/2021
CN	307159296	*	3/2022
EM	006489753-0002	*	5/2019

\* cited by examiner

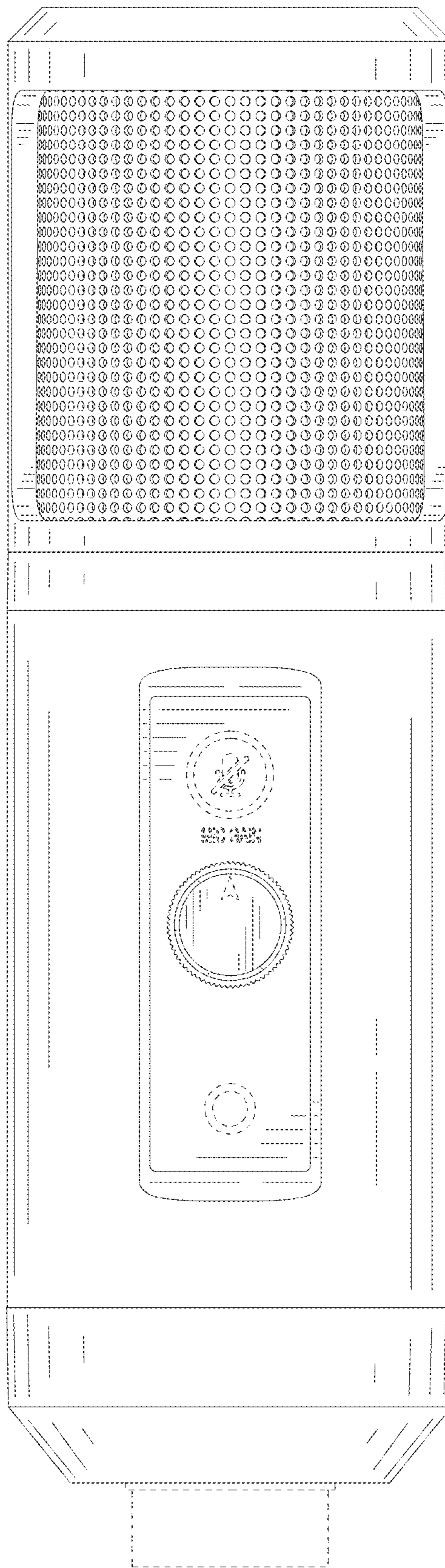


FIG. 1

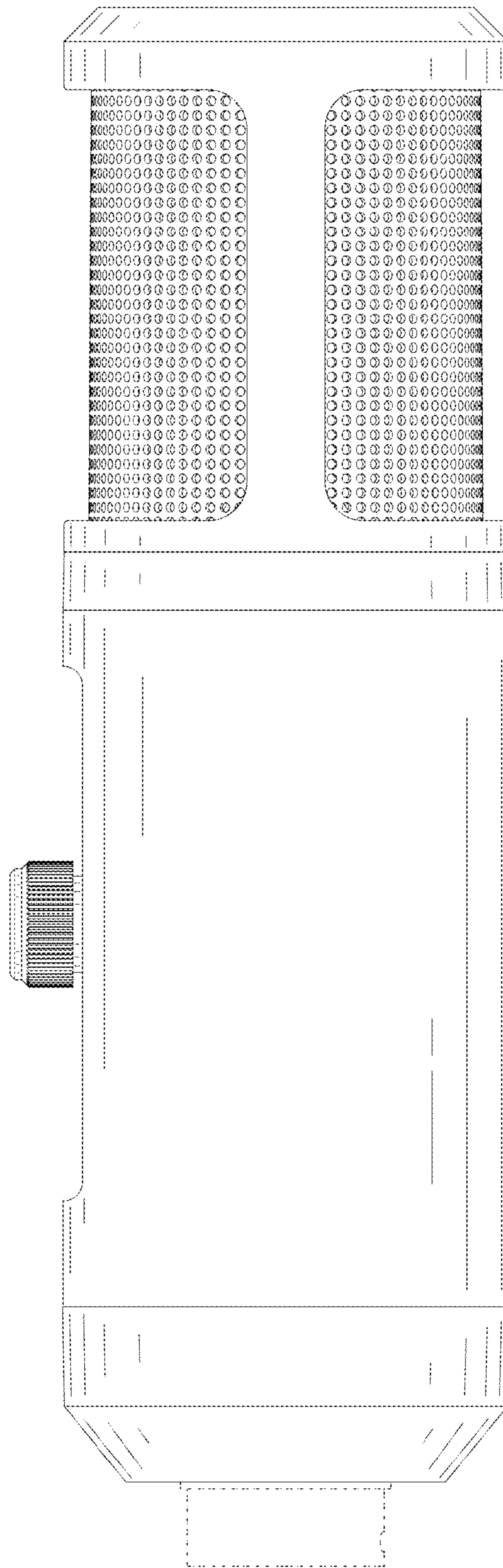


FIG. 2

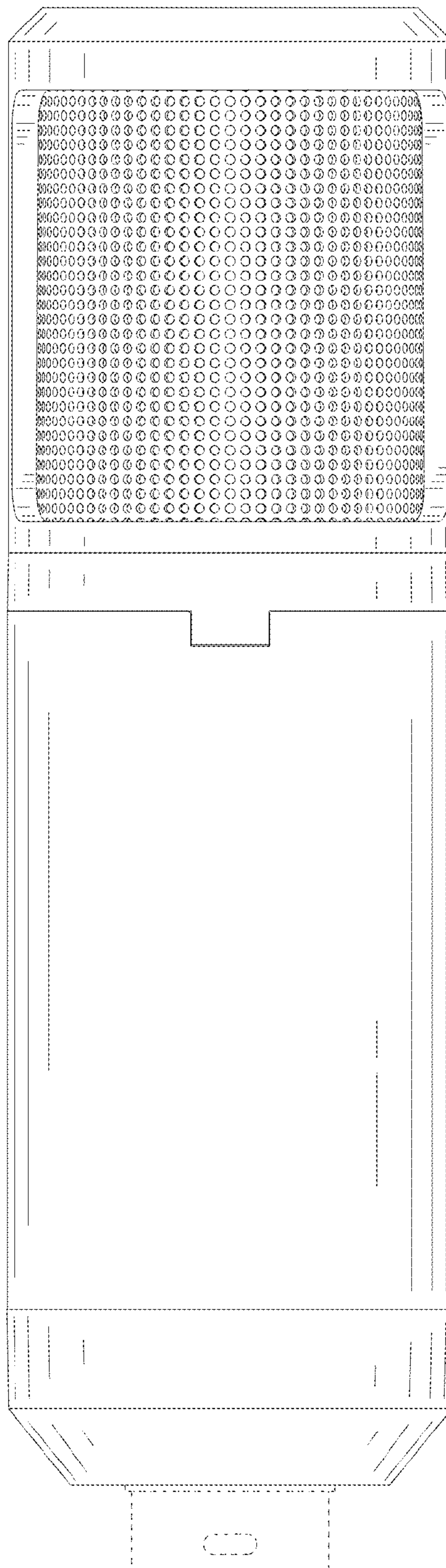


FIG. 3

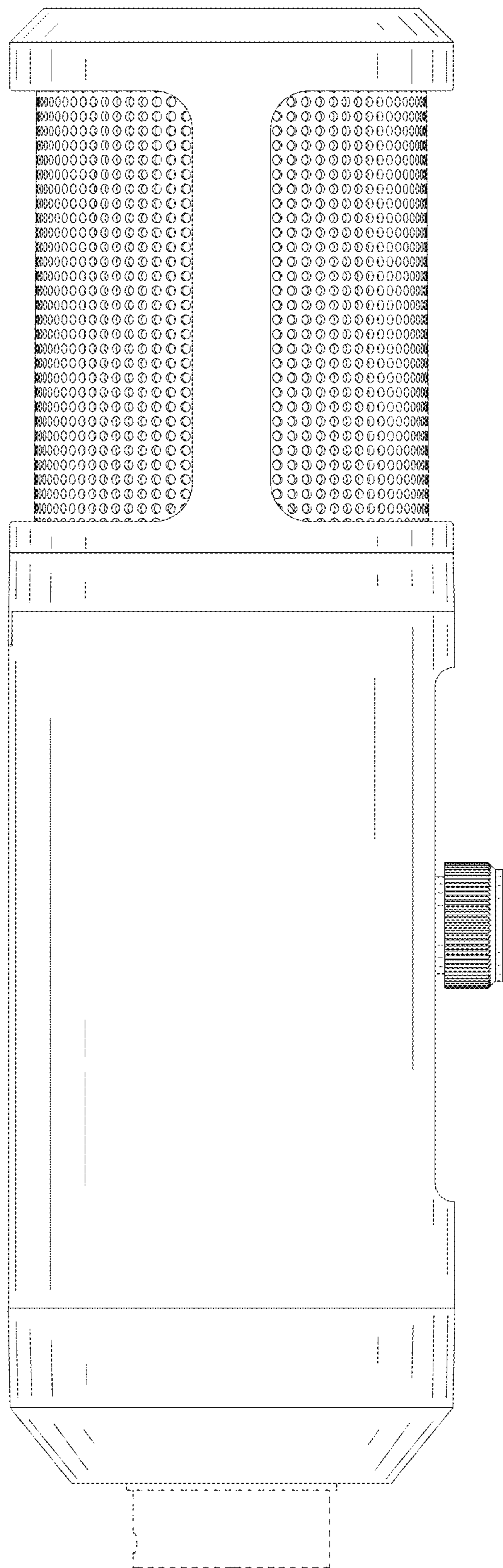


FIG. 4

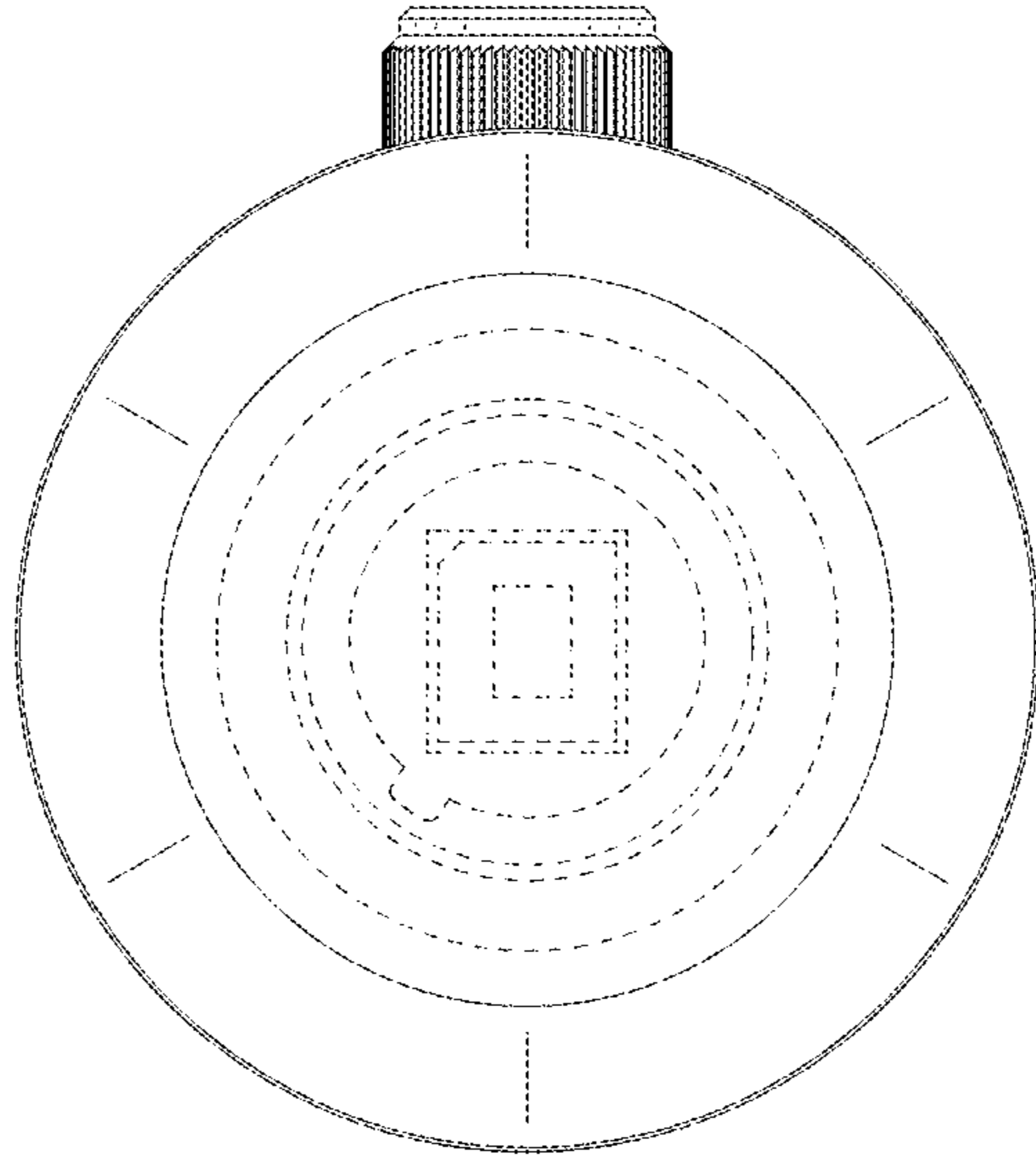


FIG. 5